



US00D429611S

United States Patent [19] Hobaica

[11] Patent Number: **Des. 429,611**

[45] Date of Patent: **** Aug. 22, 2000**

[54] **CARPET STRETCHER**

[76] Inventor: **Bill Hobaica**, 533 W. Portland,
Phoenix, Ariz. 85003

[**] Term: **14 Years**

[21] Appl. No.: **29/103,626**

[22] Filed: **Apr. 19, 1999**

[51] **LOC (7) Cl.** **08-05**

[52] **U.S. Cl.** **D8/15**

[58] **Field of Search** 254/209, 212,
254/210; 294/8.6; D8/15

3,917,225	11/1975	Payson	254/210
4,003,549	1/1977	Sergerie	254/212
4,076,213	2/1978	Payson	254/210
4,230,302	10/1980	Crain, Jr.	254/212
5,007,616	4/1991	Scarpino	254/212
5,681,031	10/1997	Foley	254/209
5,855,361	1/1999	Krowchak	254/209
5,938,182	8/1999	Goodrich et al.	254/209

Primary Examiner—Jeffrey Asch
Attorney, Agent, or Firm—Warren F. B. Lindsley; Frank J. McGue

[57] CLAIM

The ornamental design for a carpet stretcher, as shown and described.

[56] References Cited

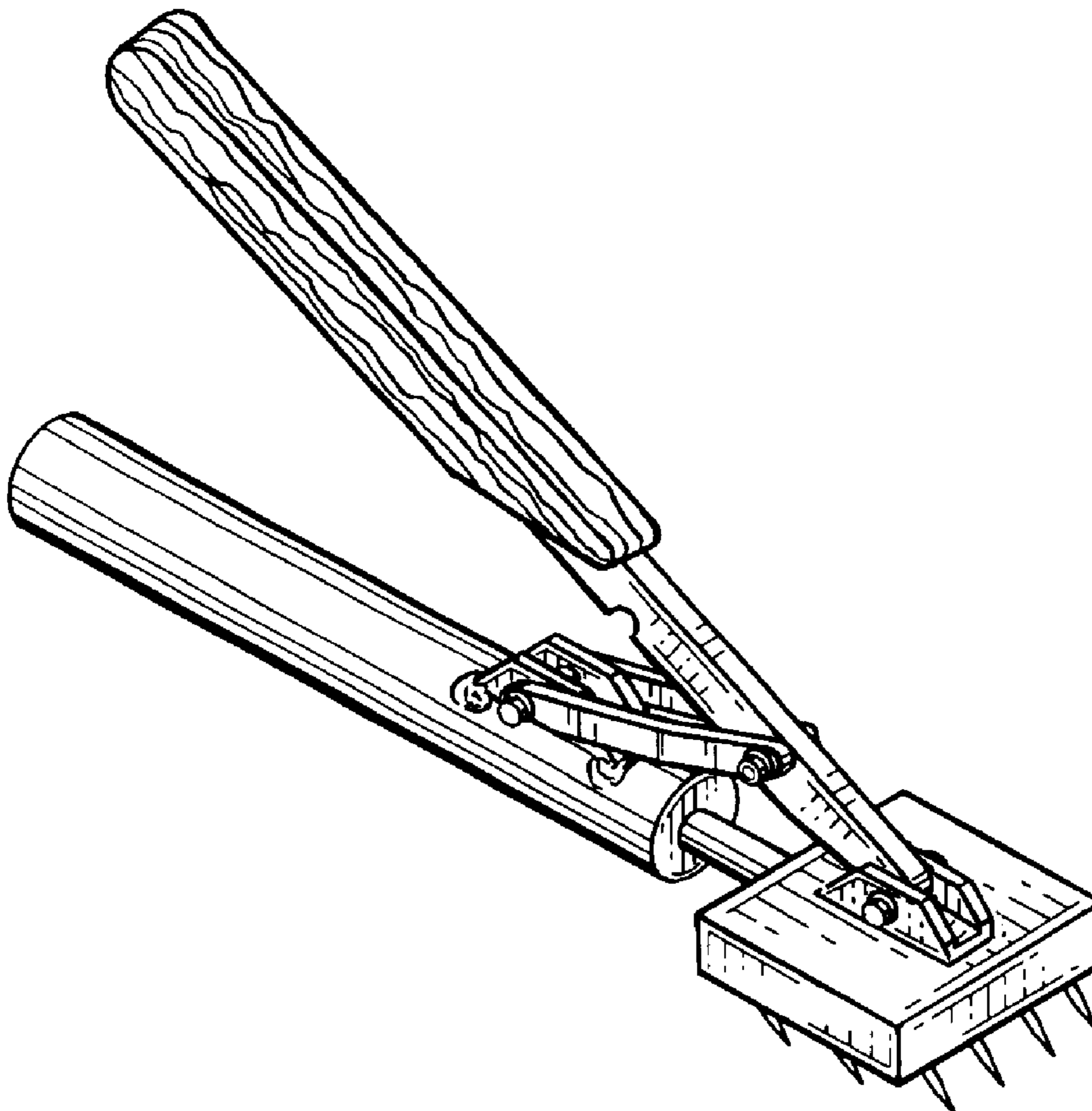
U.S. PATENT DOCUMENTS

D. 021,674	6/1892	Irwin	D8/15
D. 030,481	4/1899	Righter	D8/15
D. 206,615	1/1967	Brenner	D8/15
D. 213,402	2/1969	Brenner	D8/15
260,907	7/1882	Spitler	254/209
3,300,182	1/1967	Bussard	254/212
3,313,463	4/1967	Boucher	D8/15 X
3,441,252	4/1969	Koppelmans	294/8.6 X
3,498,661	3/1970	Graziano	294/8.6
3,599,936	8/1971	Crain, Jr.	254/212
3,692,278	9/1972	Payson	254/212
3,693,936	9/1972	Payson	254/212
3,784,078	1/1974	Escoe	D8/15 X

DESCRIPTION

FIG. 1 is a perspective view of a carpet stretcher showing my new design;
FIG. 2 is a front view thereof;
FIG. 3 is a left end view thereof;
FIG. 4 is a top view thereof;
FIG. 5 is a bottom view thereof;
FIG. 6 is a right end view thereof; and,
FIG. 7 is a back view thereof.
FIGS. 2–7 are shown on a larger scale, and in an alternate position for use, in comparison to FIG. 1.

1 Claim, 1 Drawing Sheet



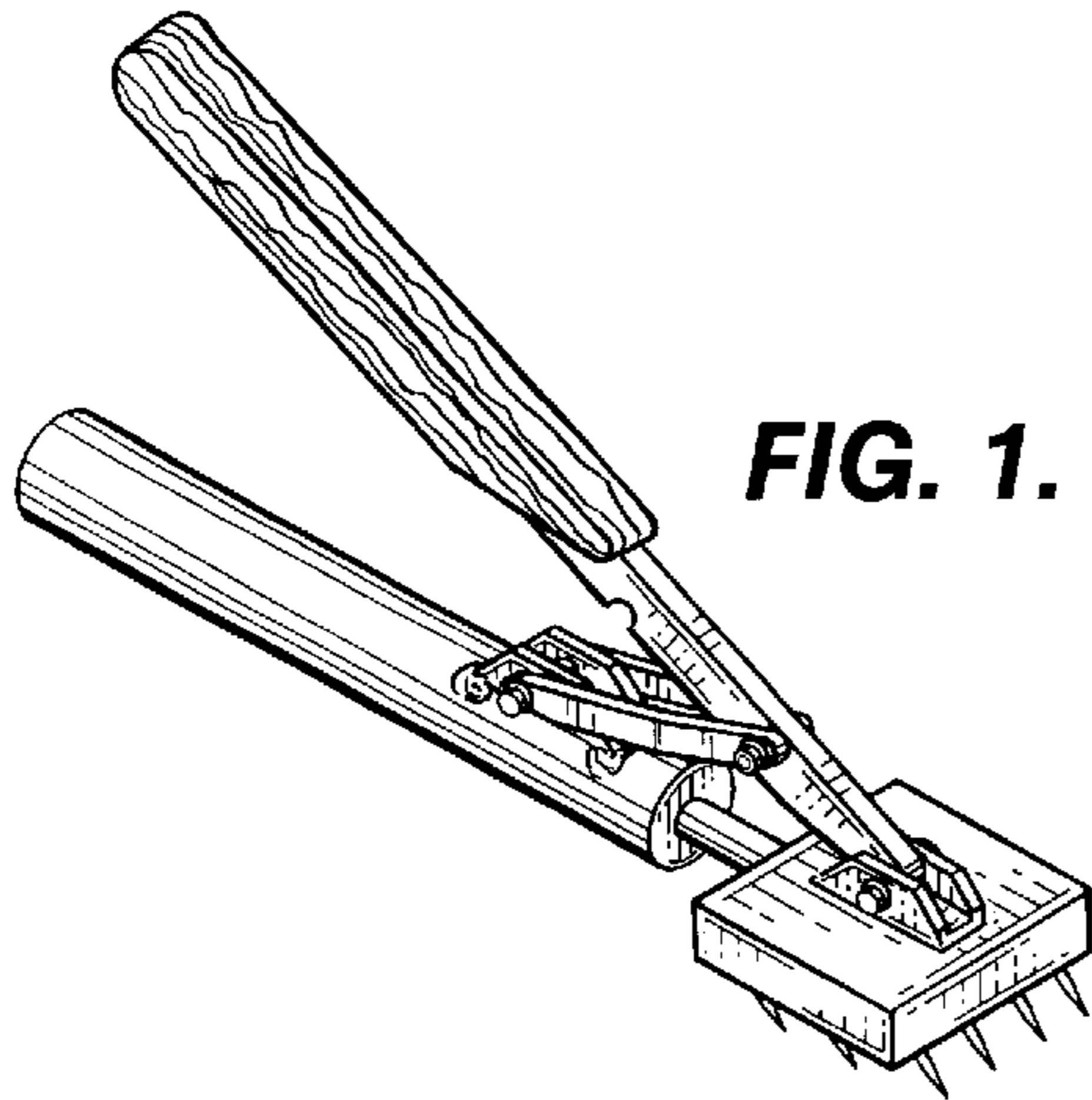


FIG. 1.

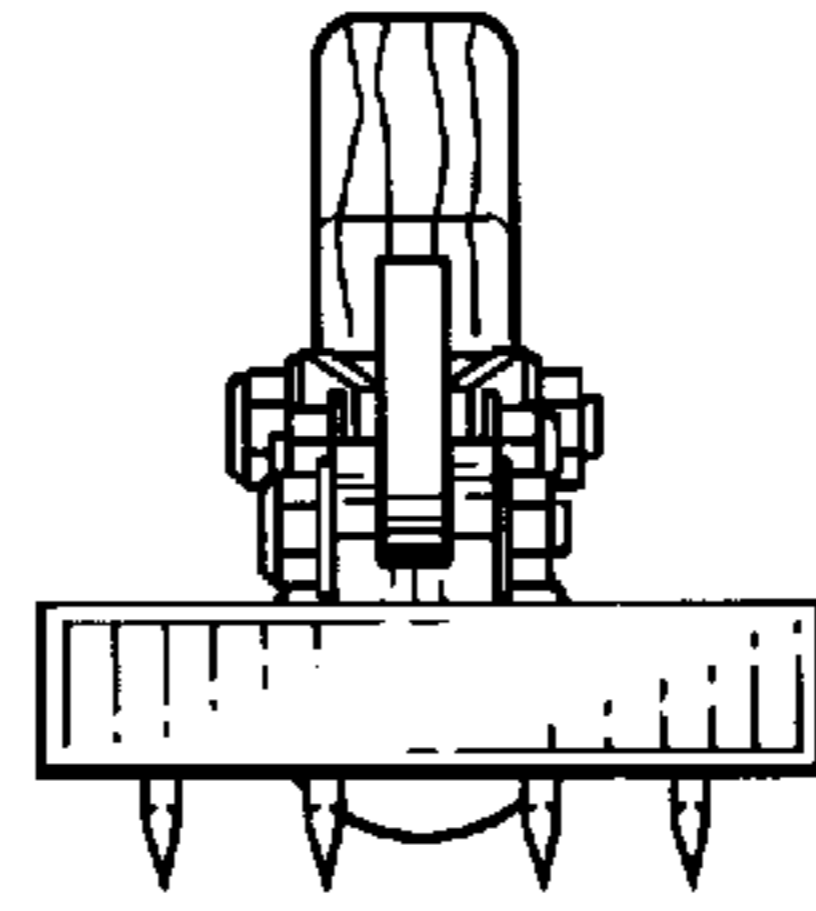


FIG. 2.

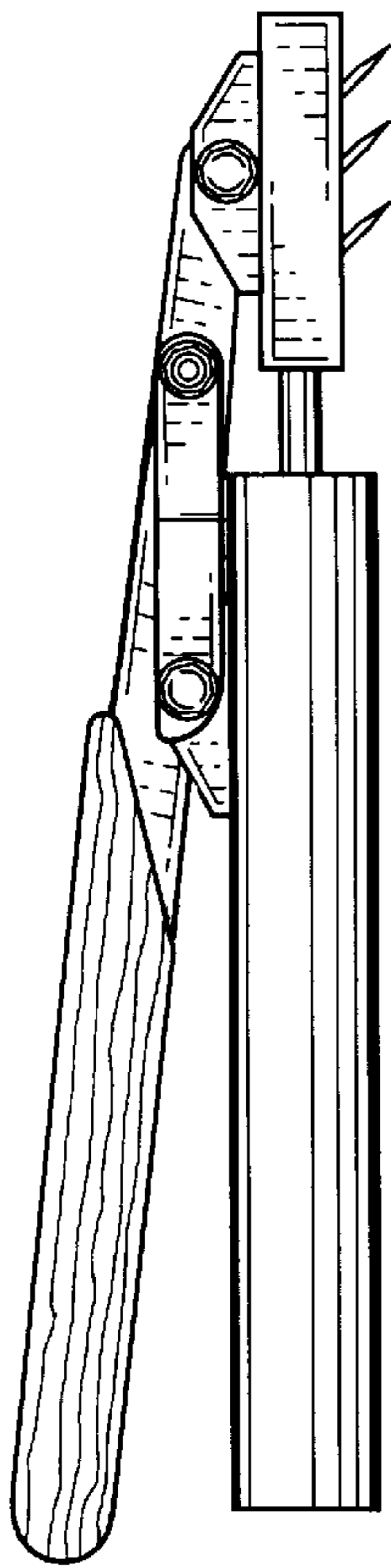


FIG. 3.

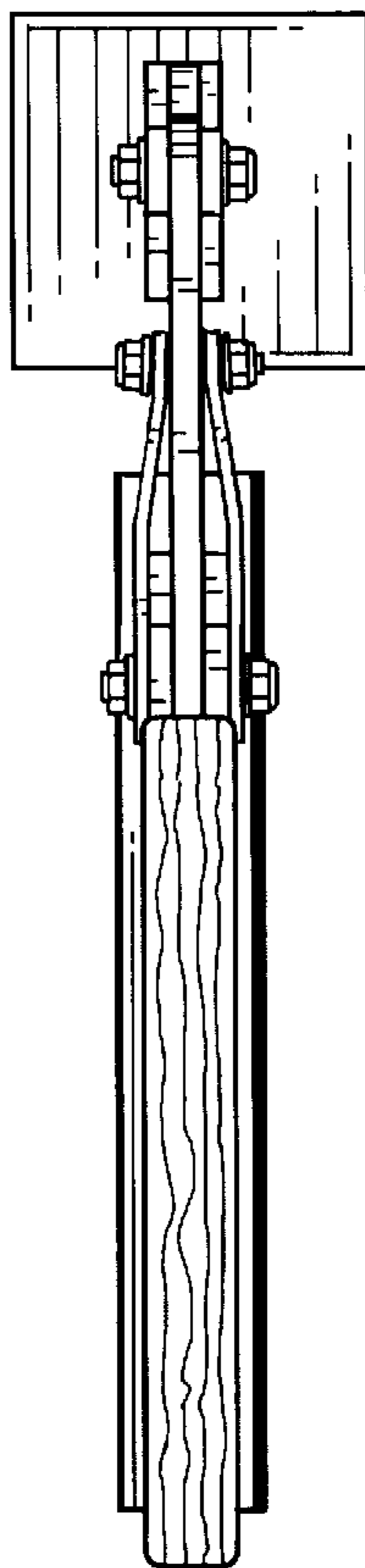


FIG. 4.

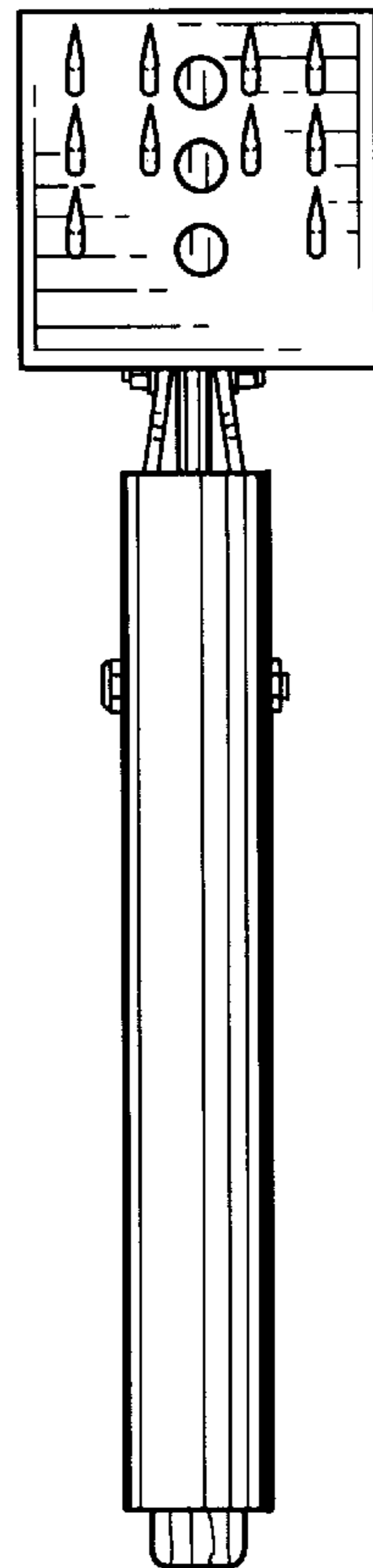


FIG. 5.

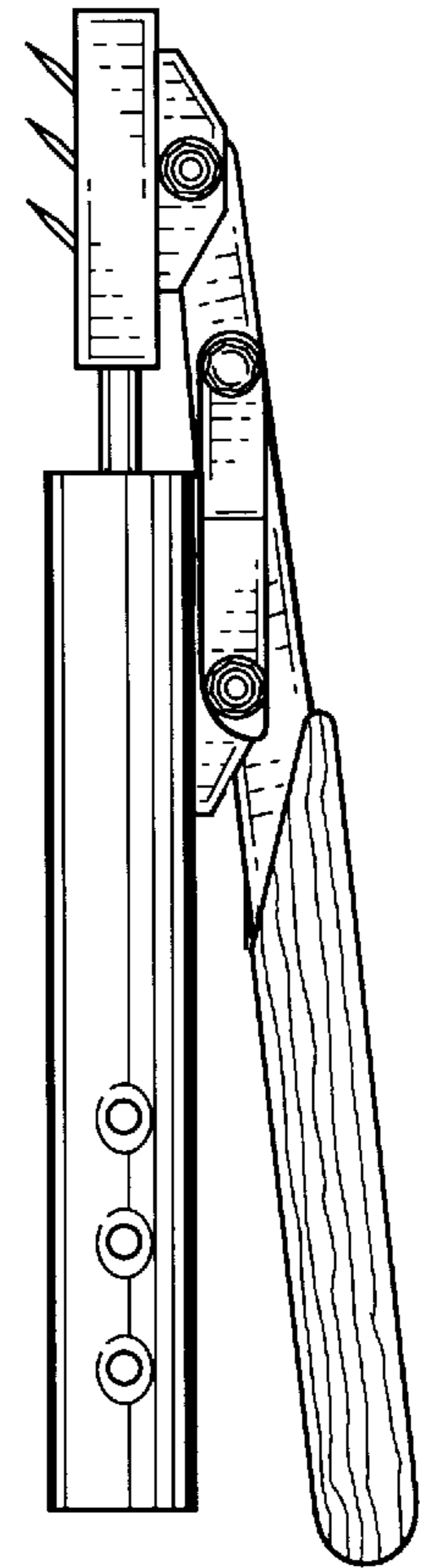


FIG. 6.

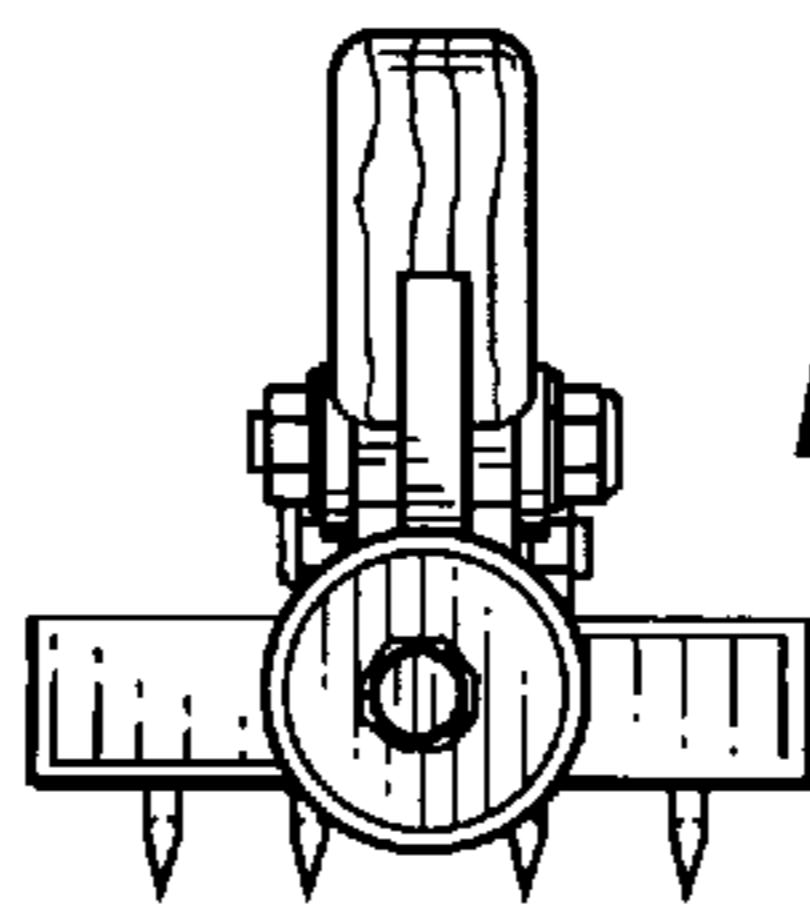


FIG. 7.