



US00D429610S

United States Patent [19] Fallandy

[11] **Patent Number: Des. 429,610**

[45] **Date of Patent: ** Aug. 22, 2000**

[54] **DOUBLE WIRE TERMINATION BLADE**

[75] Inventor: **Michael M. Fallandy**, Ventura, Calif.

[73] Assignee: **Harris Corporation**, Melbourne, Fla.

[**] Term: **14 Years**

[21] Appl. No.: **29/115,522**

[22] Filed: **Dec. 15, 1999**

[51] **LOC (7) Cl.** **08-05**

[52] **U.S. Cl.** **D8/14**

[58] **Field of Search** D8/14, 51, 98,
D8/99; D15/140; 30/90.1, 90.4, 90.6-90.9,
91.1, 91.2; 81/9.4, 9.41, 9.44; 407/35, 40,
50, 54, 105, 109, 110, 113

[56] **References Cited**

U.S. PATENT DOCUMENTS

D. 409,470 5/1999 Barry D8/14
3,027,786 4/1962 Severson 407/40
3,546,761 12/1970 Gage 407/50 X

3,551,978 1/1971 Berry 407/40 X
4,060,335 11/1977 Field 407/54
4,334,446 6/1982 Field D15/140 X
5,957,633 9/1999 Hall 207/113 X

Primary Examiner—Nanda Bondade
Attorney, Agent, or Firm—Harry M. Fleck

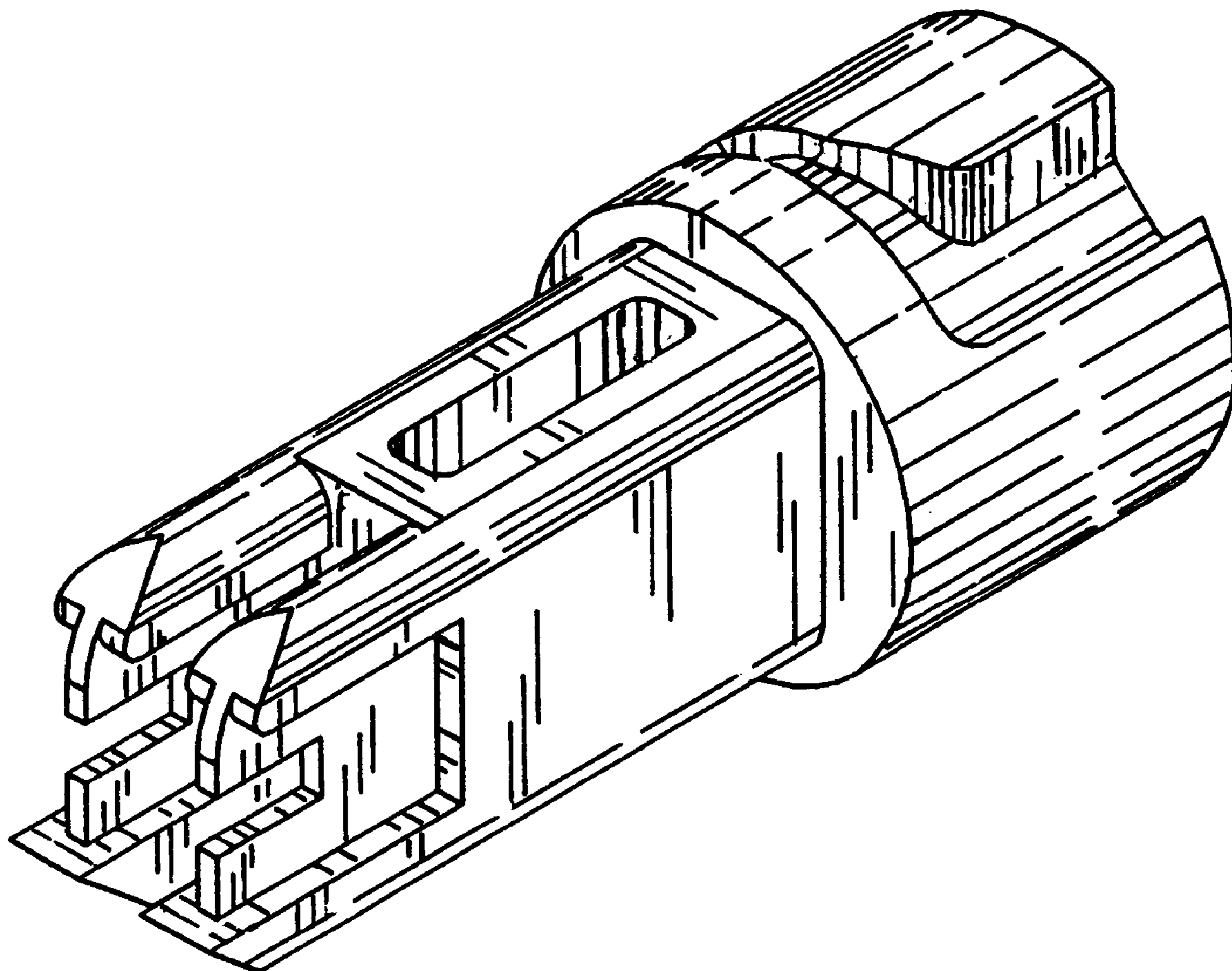
[57] **CLAIM**

The ornamental design for double wire termination blade, as shown.

DESCRIPTION

FIG. 1 is a perspective view of the double wire termination blade of the present invention, looking at the top and right sides;
FIG. 2 is a bottom plan view;
FIG. 3 is a top plan view;
FIG. 4 is a right side elevational view;
FIG. 5 is an elevational view of the front end;
FIG. 6 is a left side elevational view; and,
FIG. 7 is an elevational view of the back end.

1 Claim, 3 Drawing Sheets



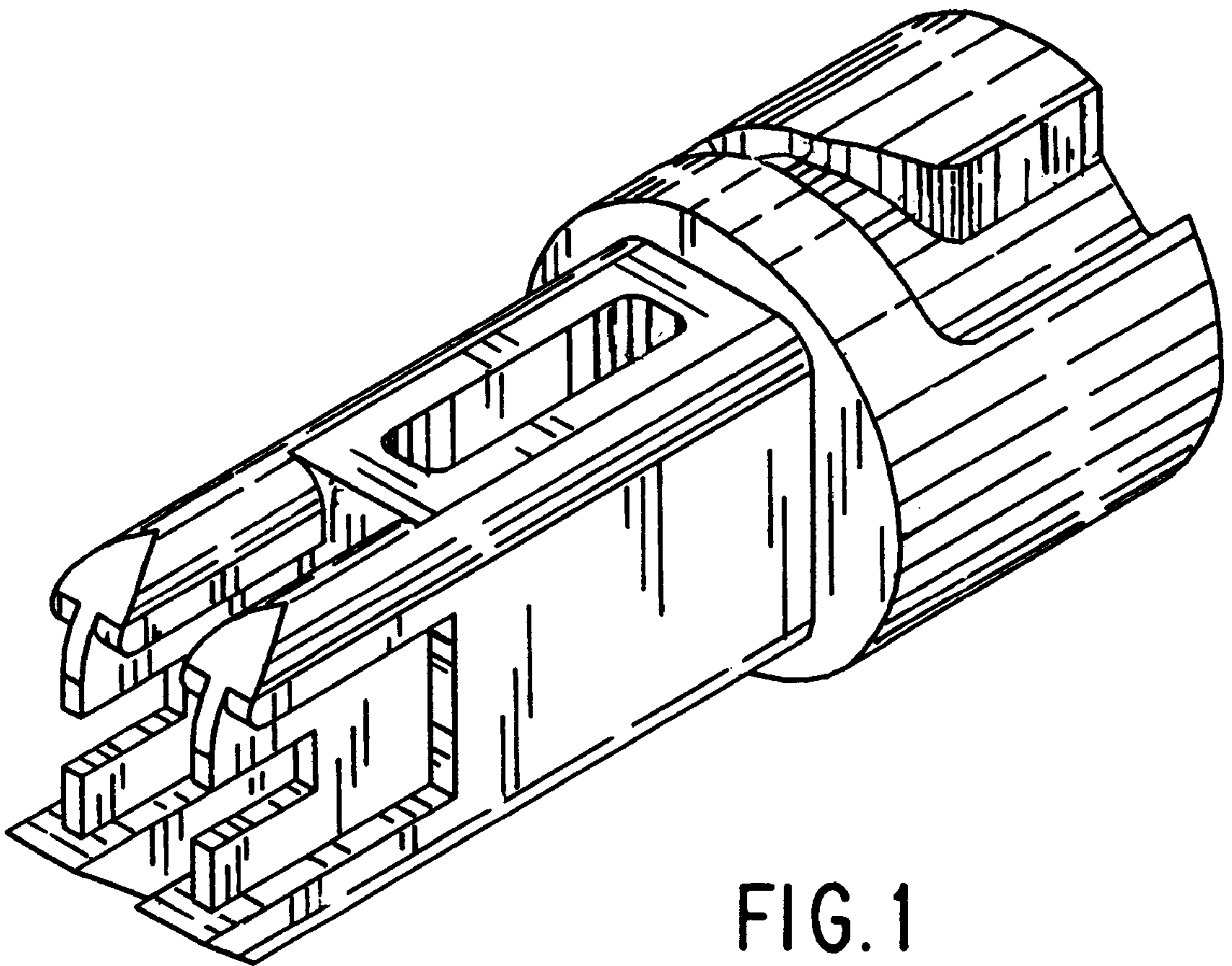


FIG. 1

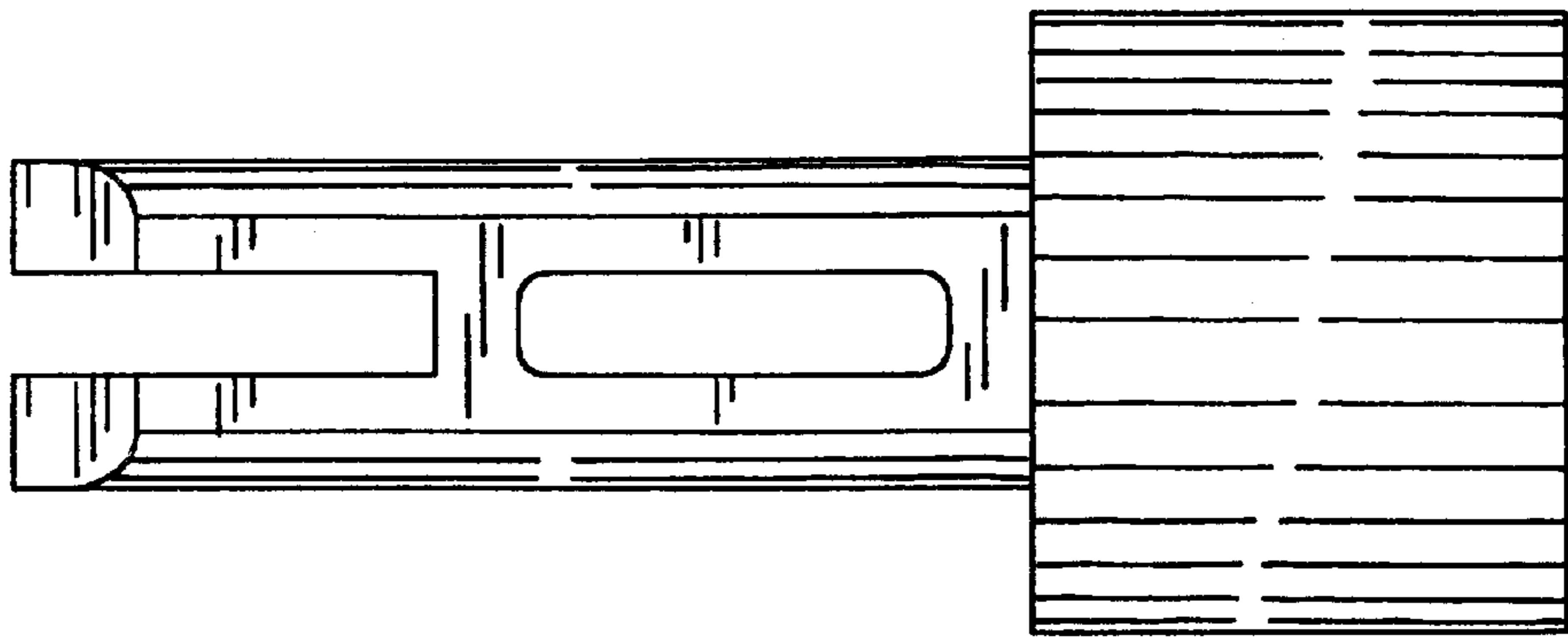


FIG. 2

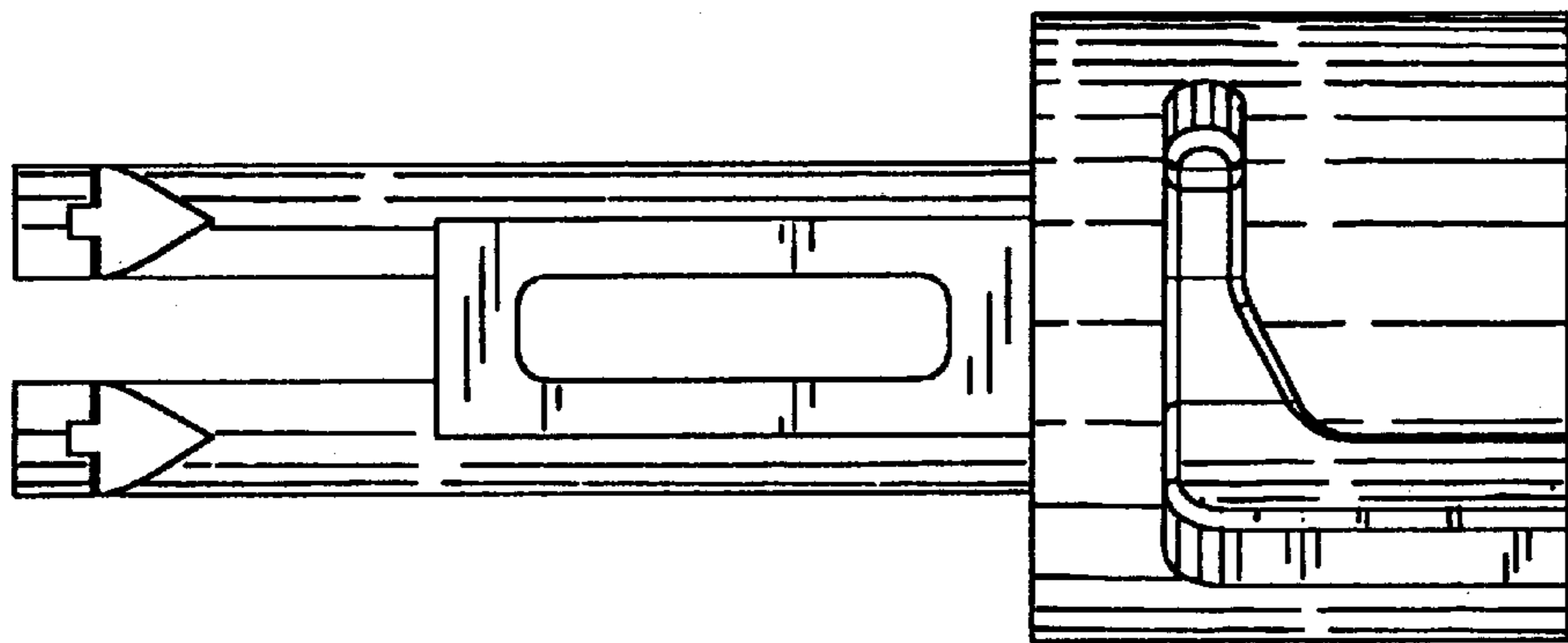


FIG. 3

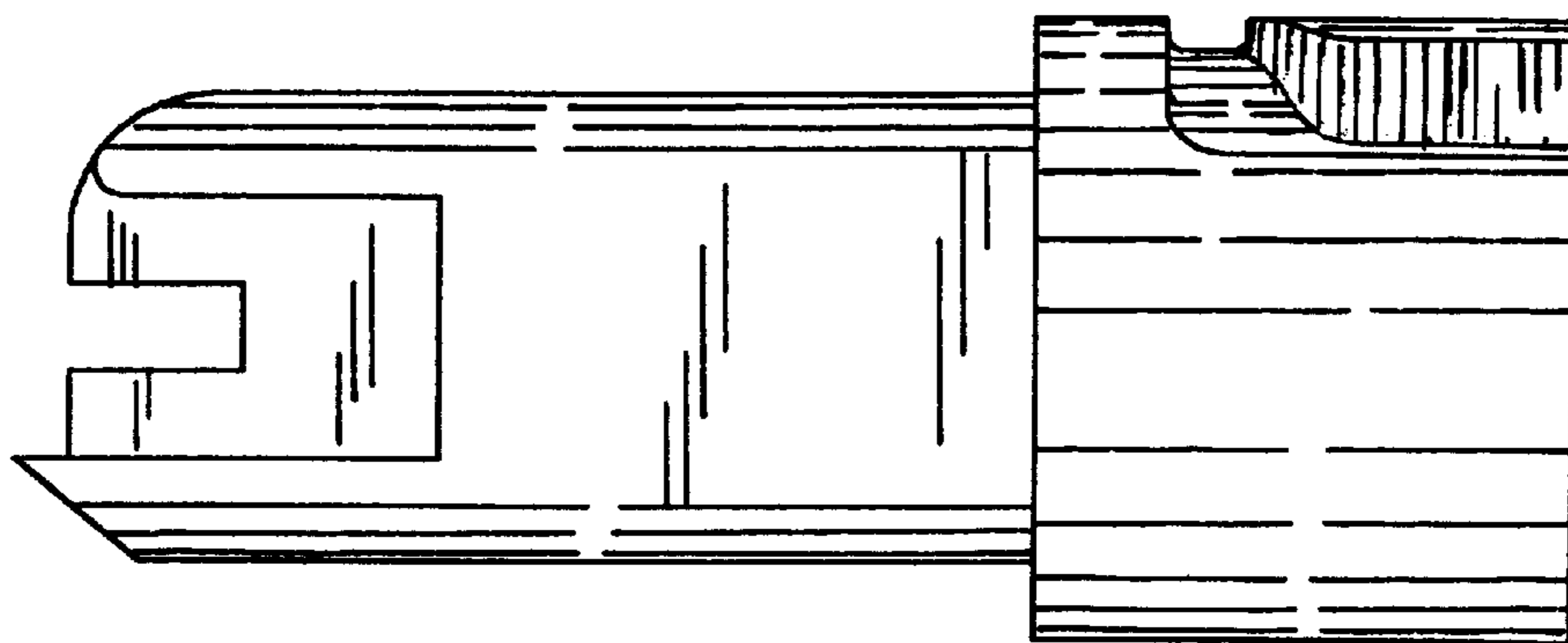


FIG. 4

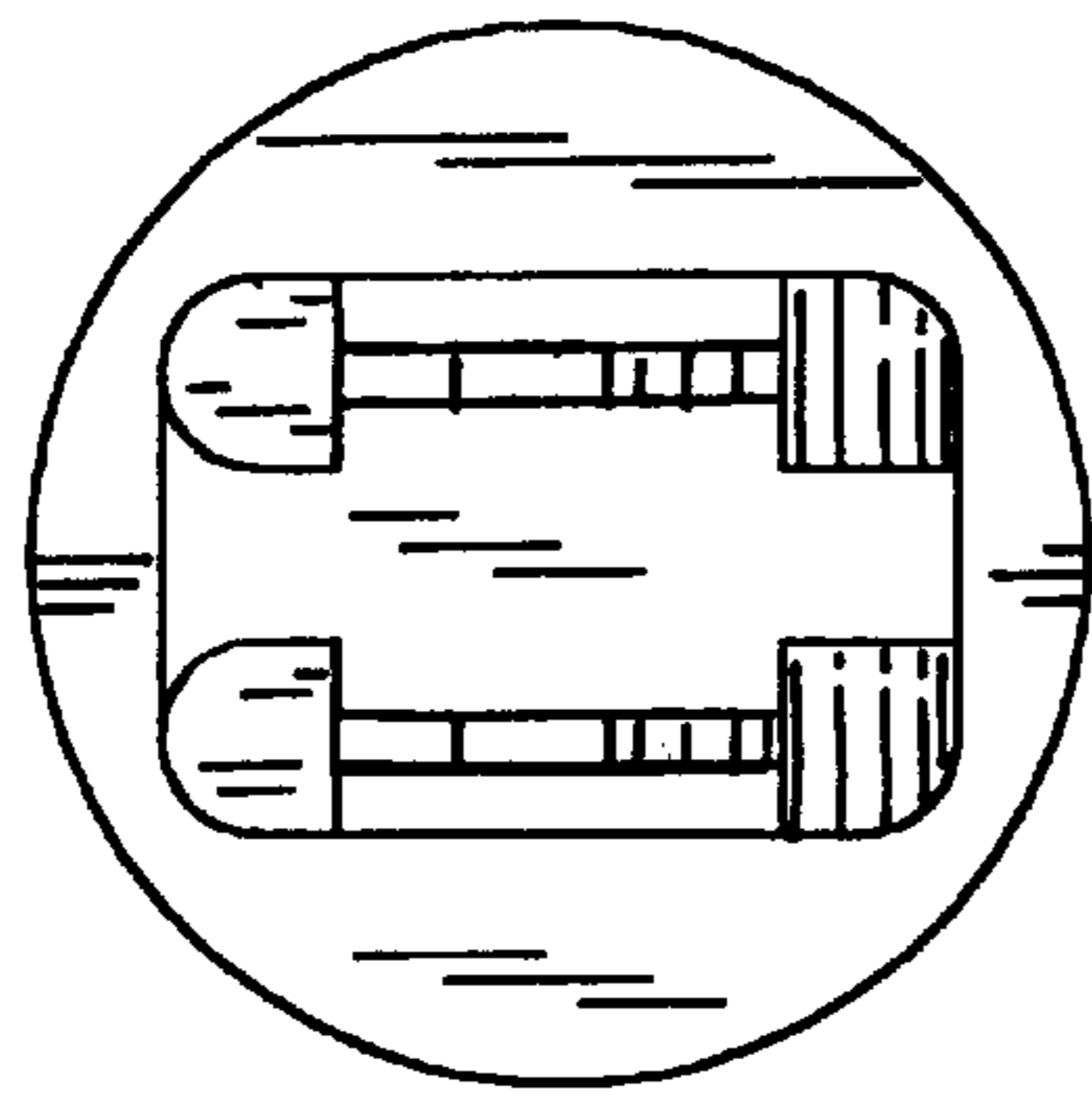


FIG. 5

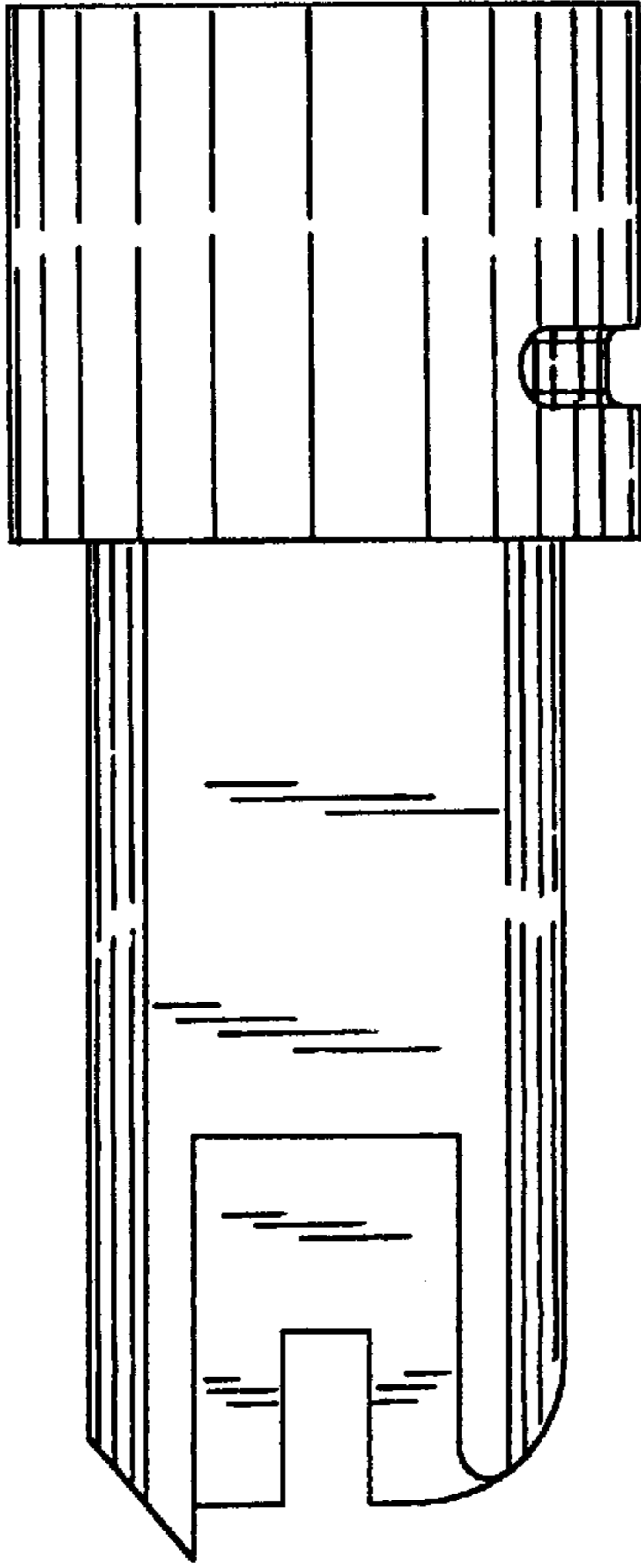


FIG. 6

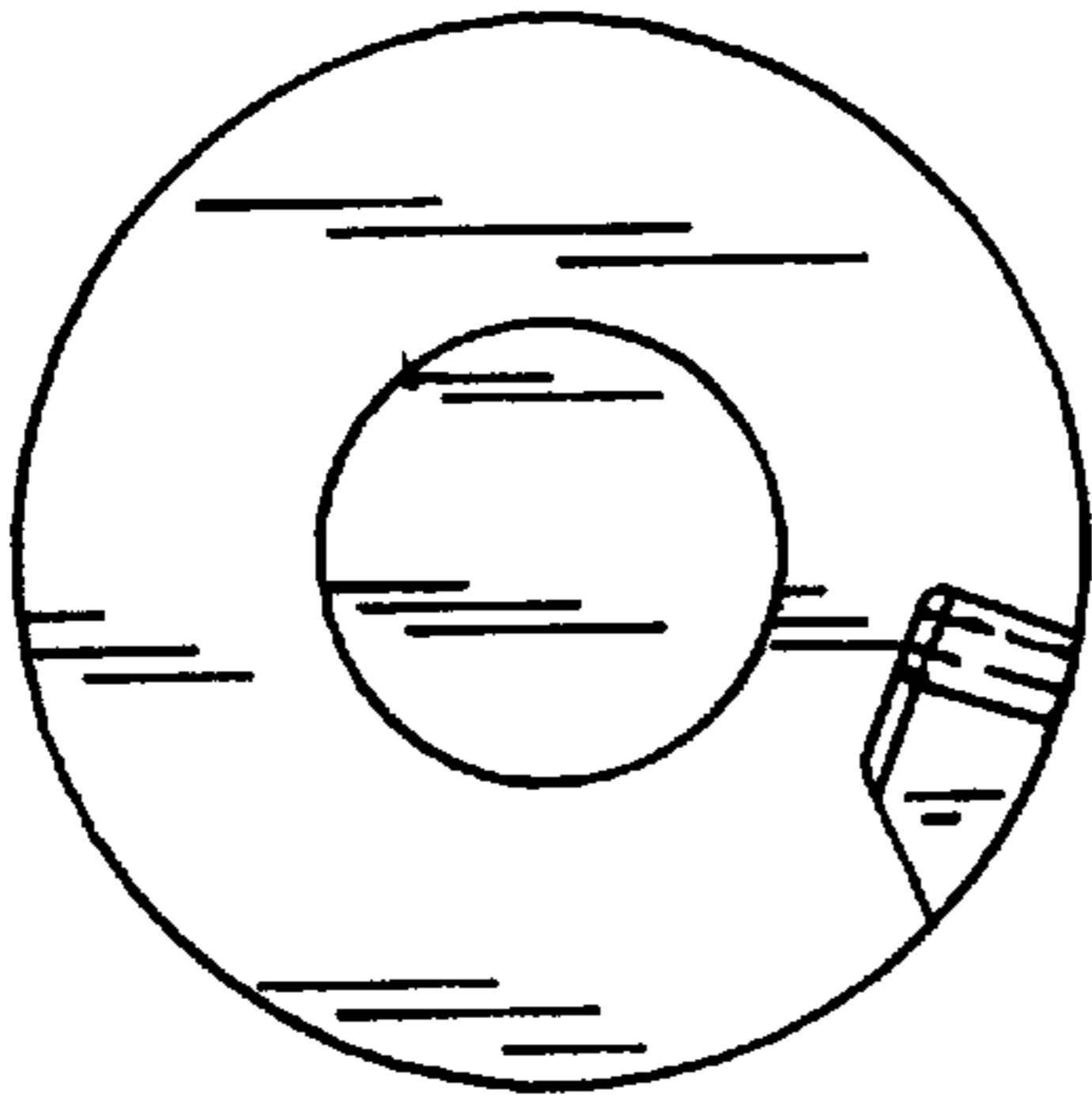


FIG. 7