



US00D429609S

United States Patent [19]

[11] **Patent Number: Des. 429,609**

Azevedo

[45] **Date of Patent: ** Aug. 22, 2000**

[54] **LEAF CONTAINER**

Primary Examiner—Robin V. Taylor

[76] Inventor: **Robert M Azevedo**, 10582 Emilie Dr.,
San Jose, Calif. 95127

[57] **CLAIM**

[**] Term: **14 Years**

The ornamental design for a leaf container, as shown and described.

[21] Appl. No.: **29/112,709**

DESCRIPTION

[22] Filed: **Oct. 22, 1999**

FIG. 1 is a front elevational view of the leaf container of the present invention;

[51] **LOC (7) Cl.** **08-01**

FIG. 2 is a rear elevational view of the leaf container of FIG. 1;

[52] **U.S. Cl.** **D8/1; D34/1**

FIG. 3 is a left side elevational view of the leaf container of FIG. 1, the right side elevational view being a mirror image thereof;

[58] **Field of Search** D8/1; D34/1; 15/257.1,
15/257.7; 294/55, 1.4

FIG. 4 is a top plan view of the leaf container of FIG. 1;

[56] **References Cited**

U.S. PATENT DOCUMENTS

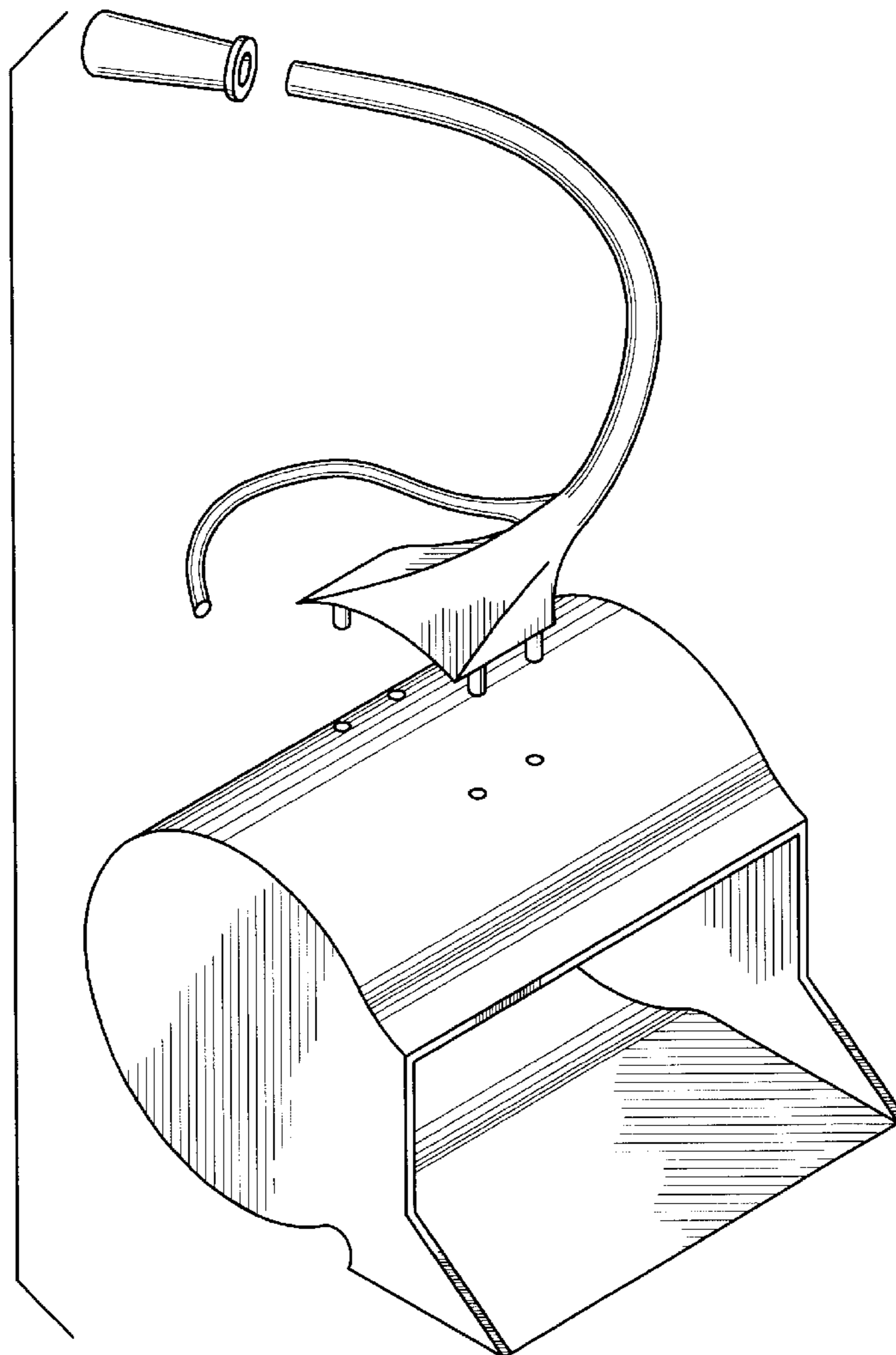
668,982	2/1901	Covel	294/55
898,774	9/1908	Niver	15/257.7
3,861,730	1/1975	Ringo	15/257.1
4,709,440	12/1987	Conelly	15/257.3
5,502,871	4/1996	Reyes	15/257.1
5,785,369	7/1998	Ridley et al.	294/55

FIG. 5 is a bottom plan view of the leaf container of FIG. 1;

FIG. 6 is an exploded top, front, left side perspective view of the leaf container of FIG. 1; and,

FIG. 7 is a cross sectional view of the leaf container of FIG. 1 along line 7—7 of FIG. 5.

1 Claim, 4 Drawing Sheets



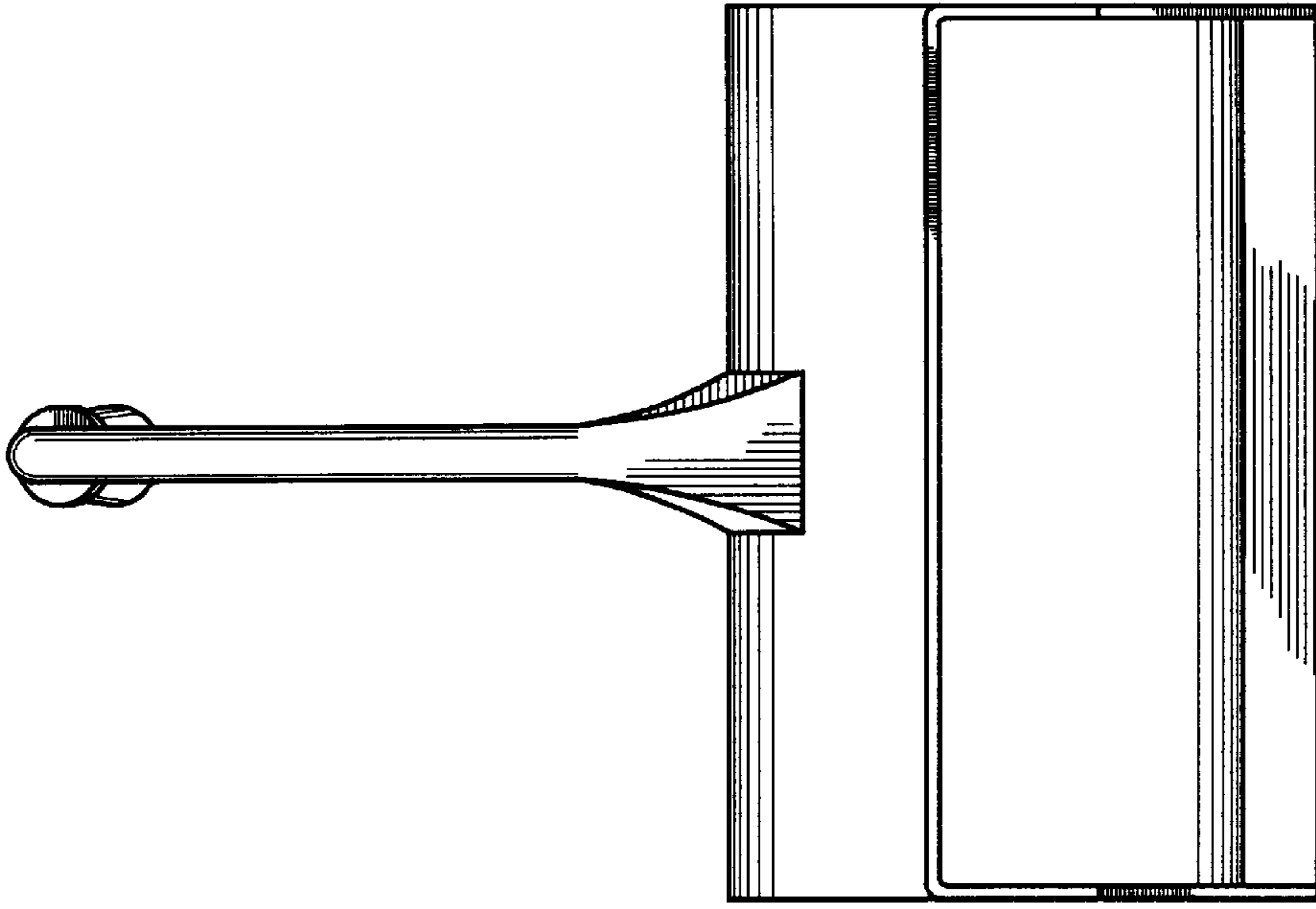


FIG. 1

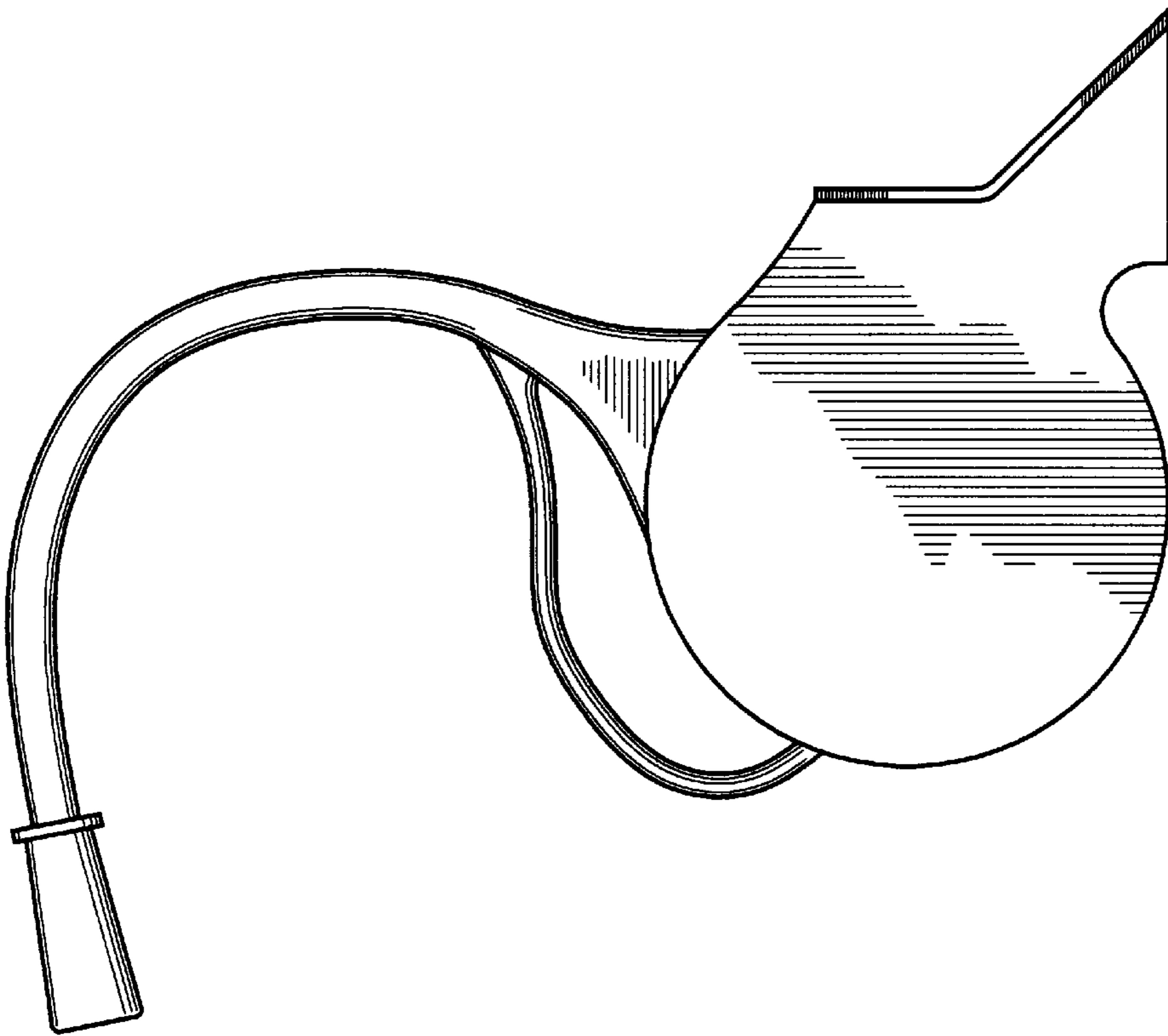


FIG. 3

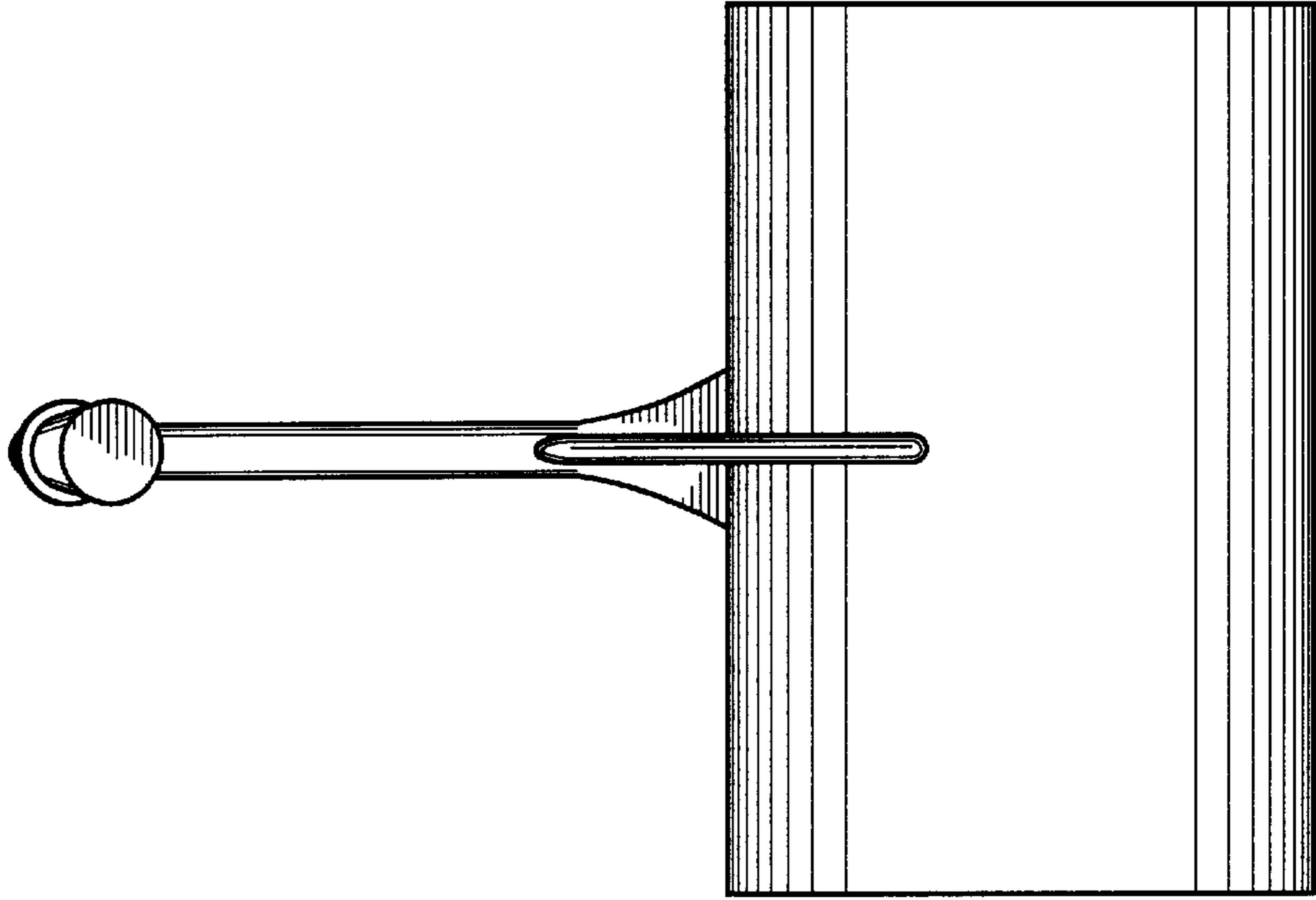


FIG. 2

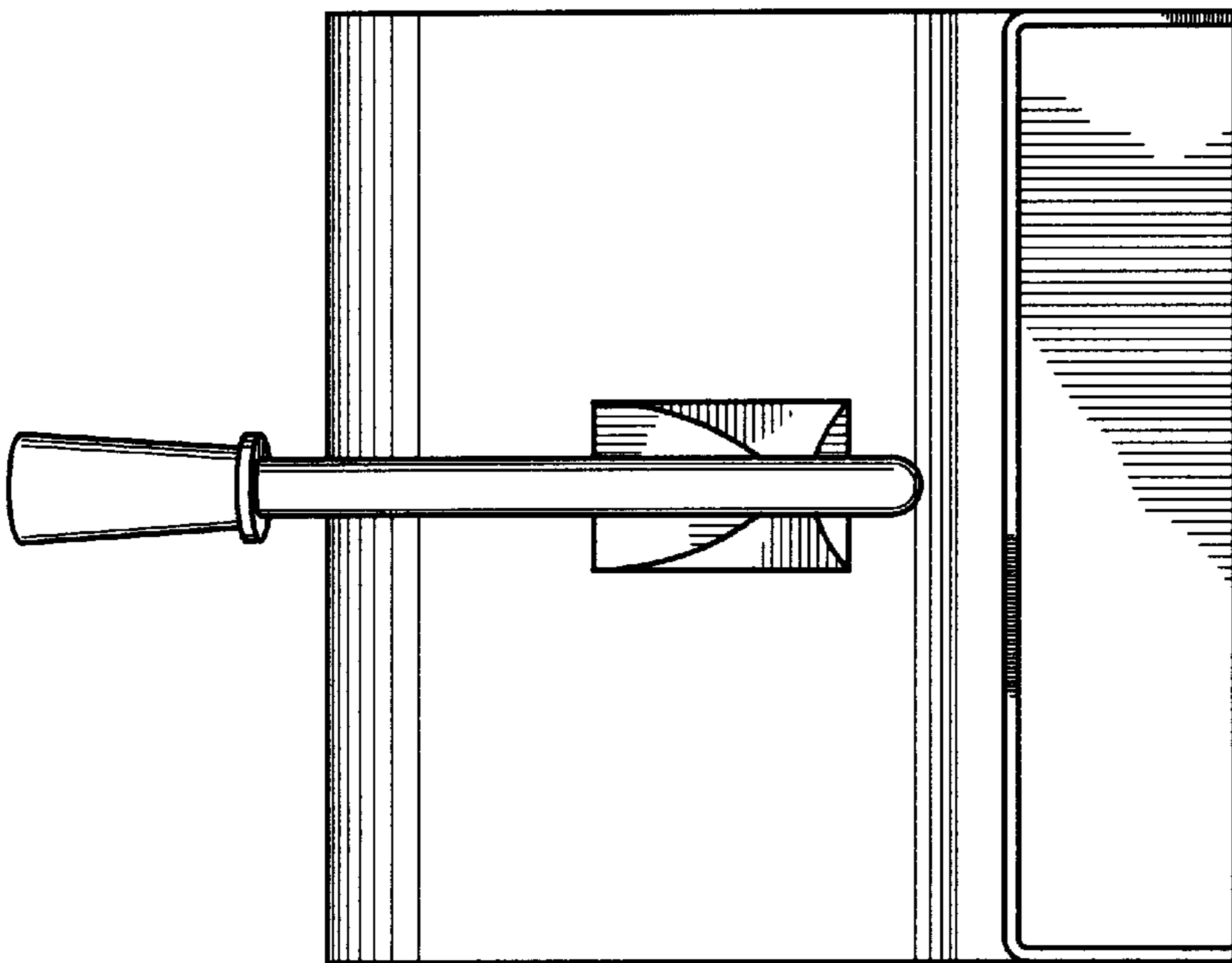


FIG. 4

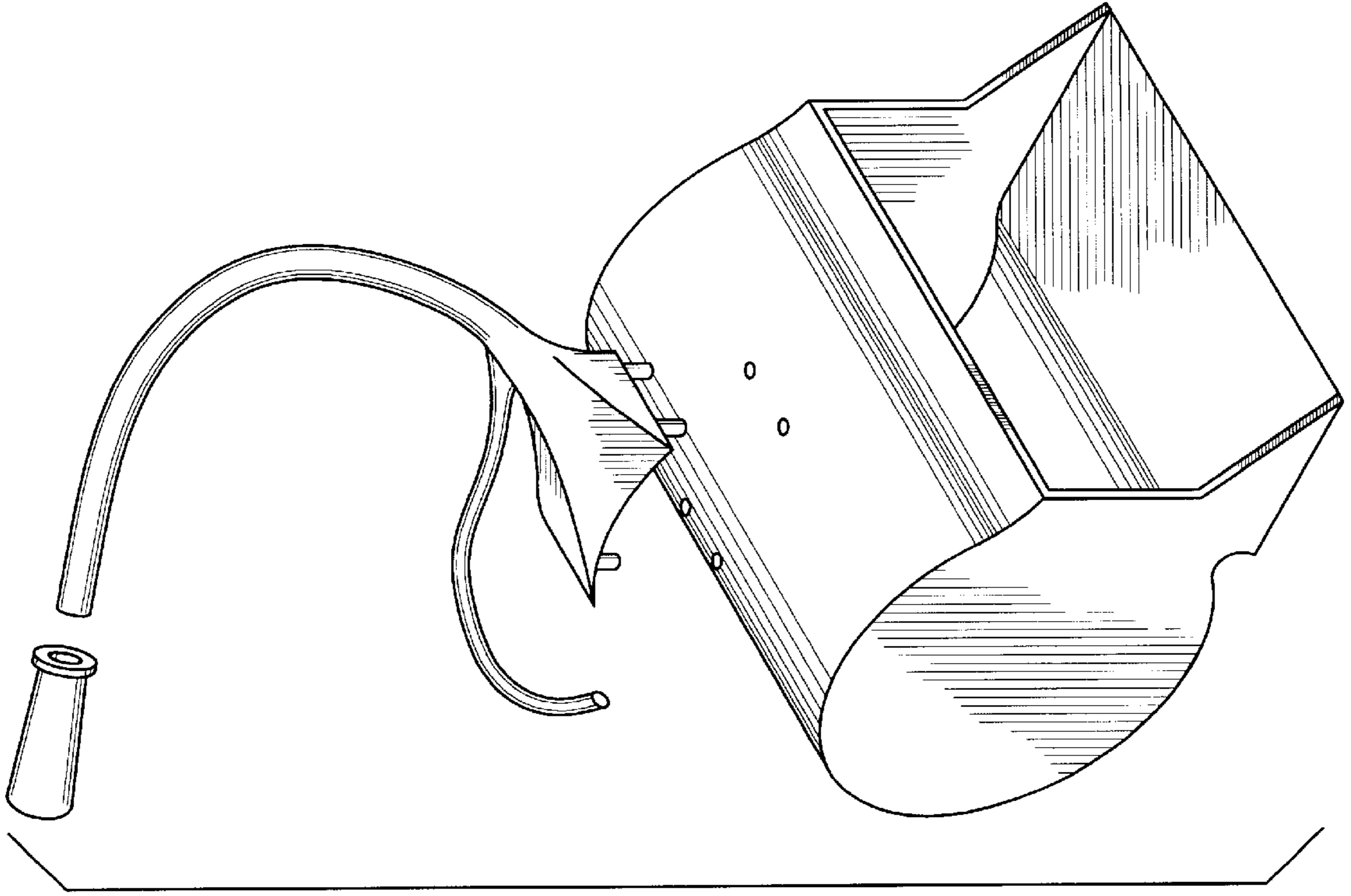


FIG. 6

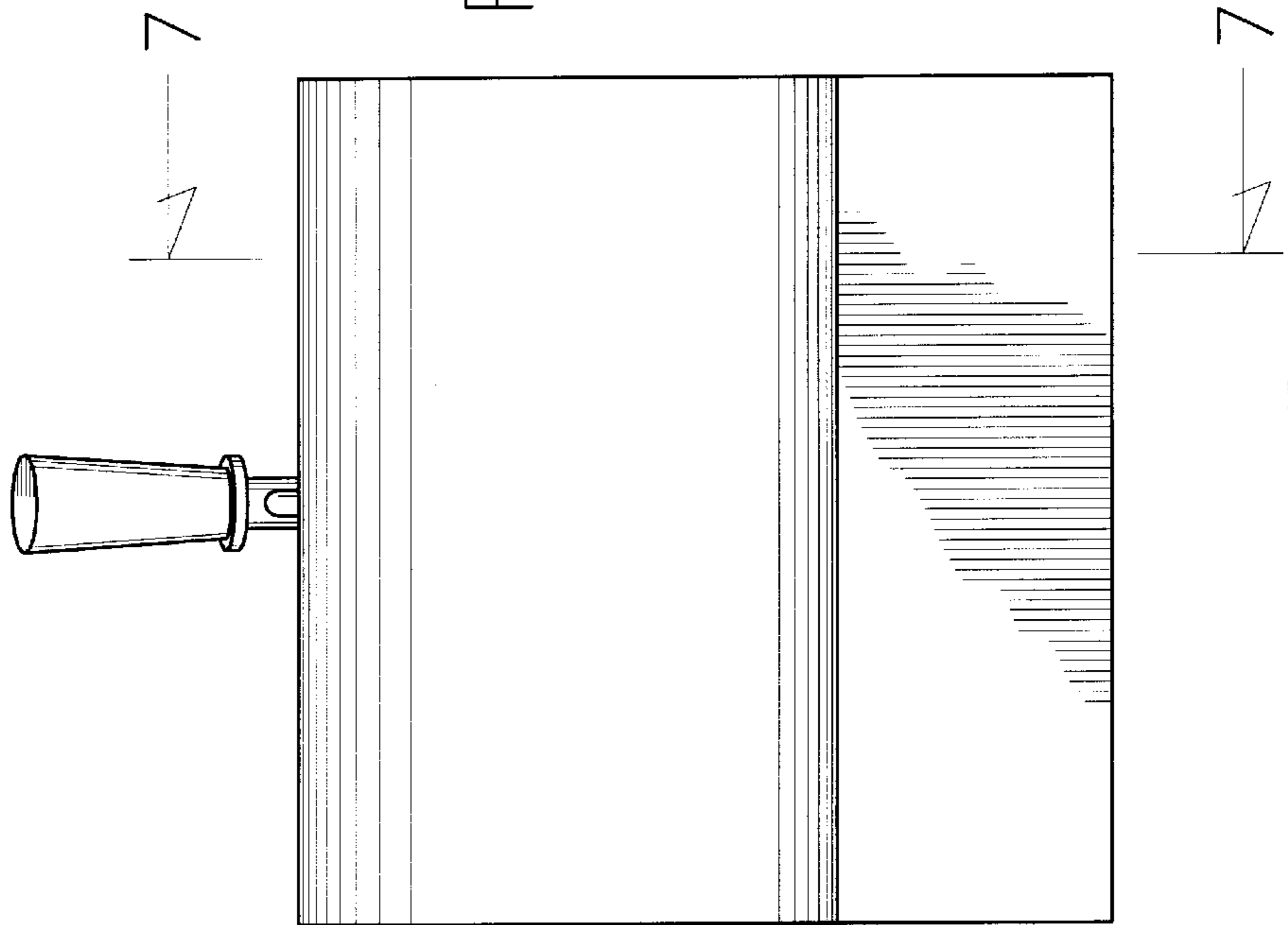


FIG. 5

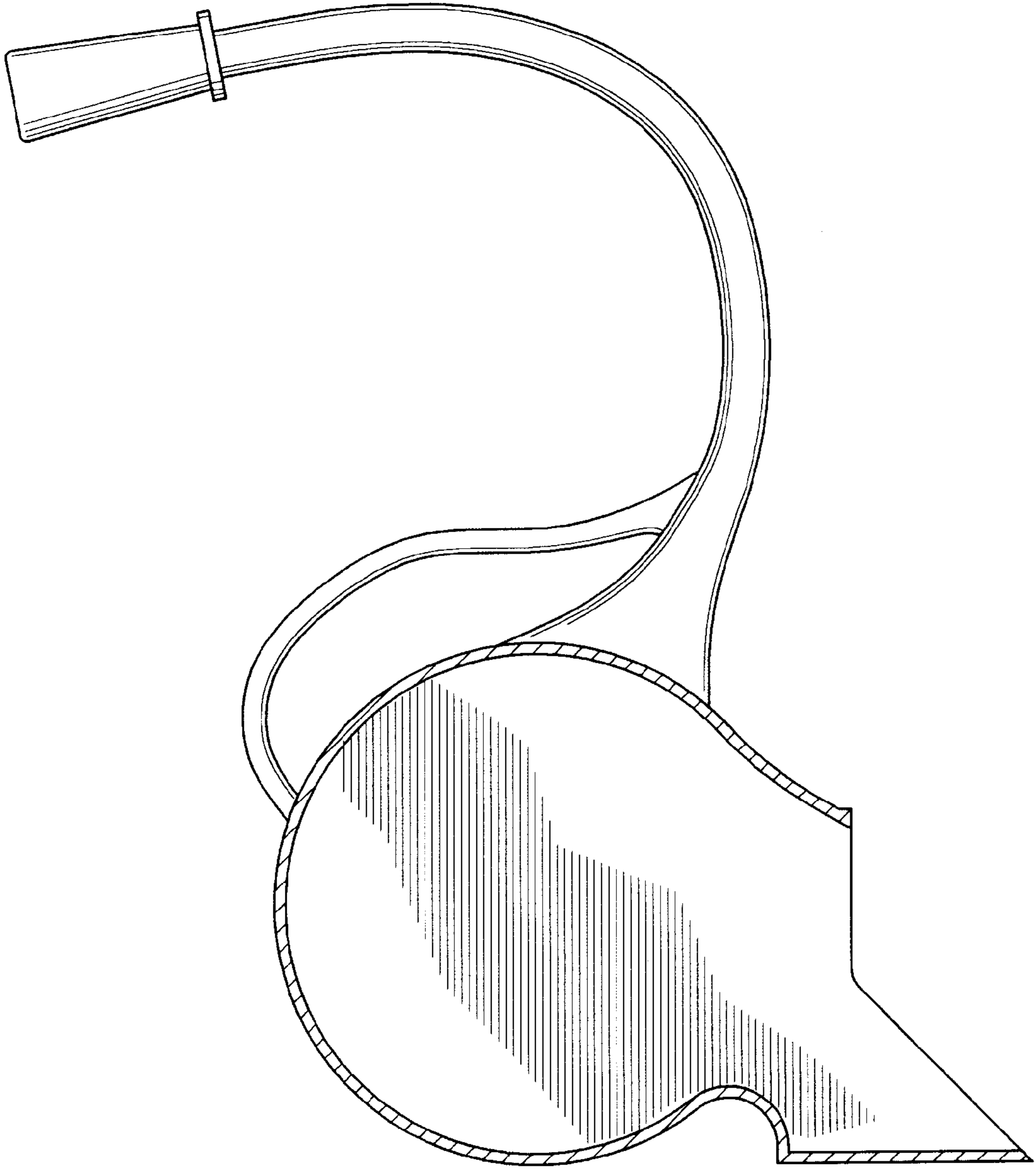


FIG. 7