



US00D429607S

# United States Patent [19] Prim

[11] **Patent Number: Des. 429,607**

[45] **Date of Patent: \*\* Aug. 22, 2000**

[54] **GRASP FOR PLASTIC FLASKS**

[76] Inventor: **Ferenc Prim**, 1221 Budapest,  
Kiránduló u. 62/b, Hungary

[\*\*] Term: **14 Years**

[21] Appl. No.: **29/113,391**

[22] Filed: **Nov. 3, 1999**

[30] **Foreign Application Priority Data**

May 14, 1999 [HU] Hungary ..... 19121/99

[51] **LOC (7) Cl.** ..... **07-99**

[52] **U.S. Cl.** ..... **D7/622**

[58] **Field of Search** ..... D7/619, 622; D9/455;  
215/395, 396; 220/737, 741, 742, 758,  
759, 710.5, 752, 755; 294/27.1, 31.2

[56] **References Cited**

**U.S. PATENT DOCUMENTS**

D. 371,943	7/1996	Ramirez	.....	D7/622
D. 397,940	9/1998	Safarian	.....	D9/455
4,896,913	1/1990	Kennedy	.....	294/31.2

*Primary Examiner*—Terry A. Wallace  
*Attorney, Agent, or Firm*—John S. Reid

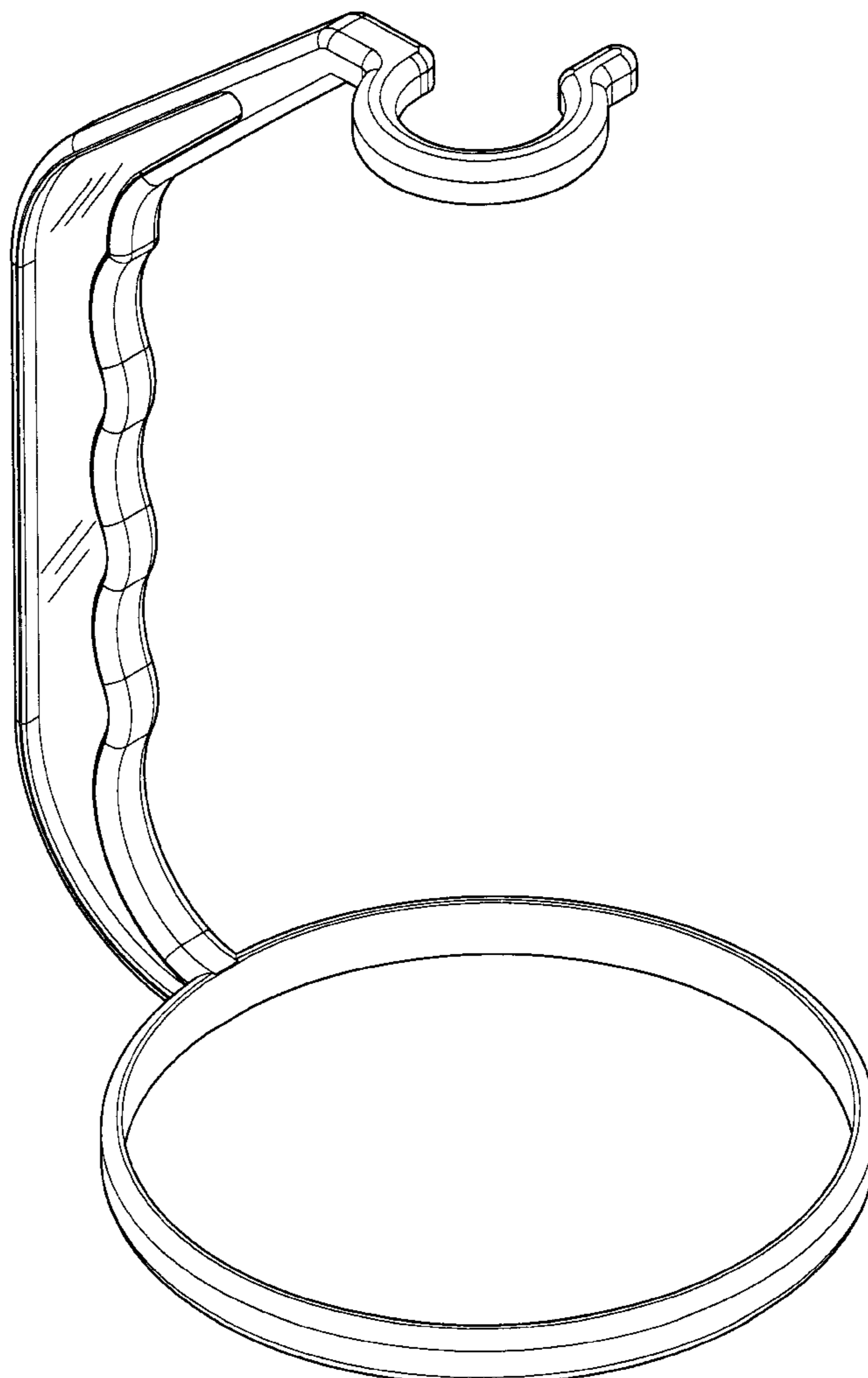
[57] **CLAIM**

The ornamental design for a grasp for plastic flasks, as shown and described.

**DESCRIPTION**

FIG. 1 is a perspective view of a grasp for plastic flasks in accordance with the present invention.  
FIG. 2 is a left side view of a grasp for plastic flasks in accordance with the present invention.  
FIG. 3 is a front view of a grasp for plastic flasks in accordance with the present invention.  
FIG. 4 is a bottom view of a grasp for plastic flasks in accordance with the present invention.  
FIG. 5 is a top view of a grasp for plastic flasks in accordance with the present invention.  
FIG. 6 is a right side view of a grasp for plastic flasks in accordance with the present invention; and,  
FIG. 7 is a back view of a grasp for plastic flasks in accordance with the present invention.

**1 Claim, 7 Drawing Sheets**



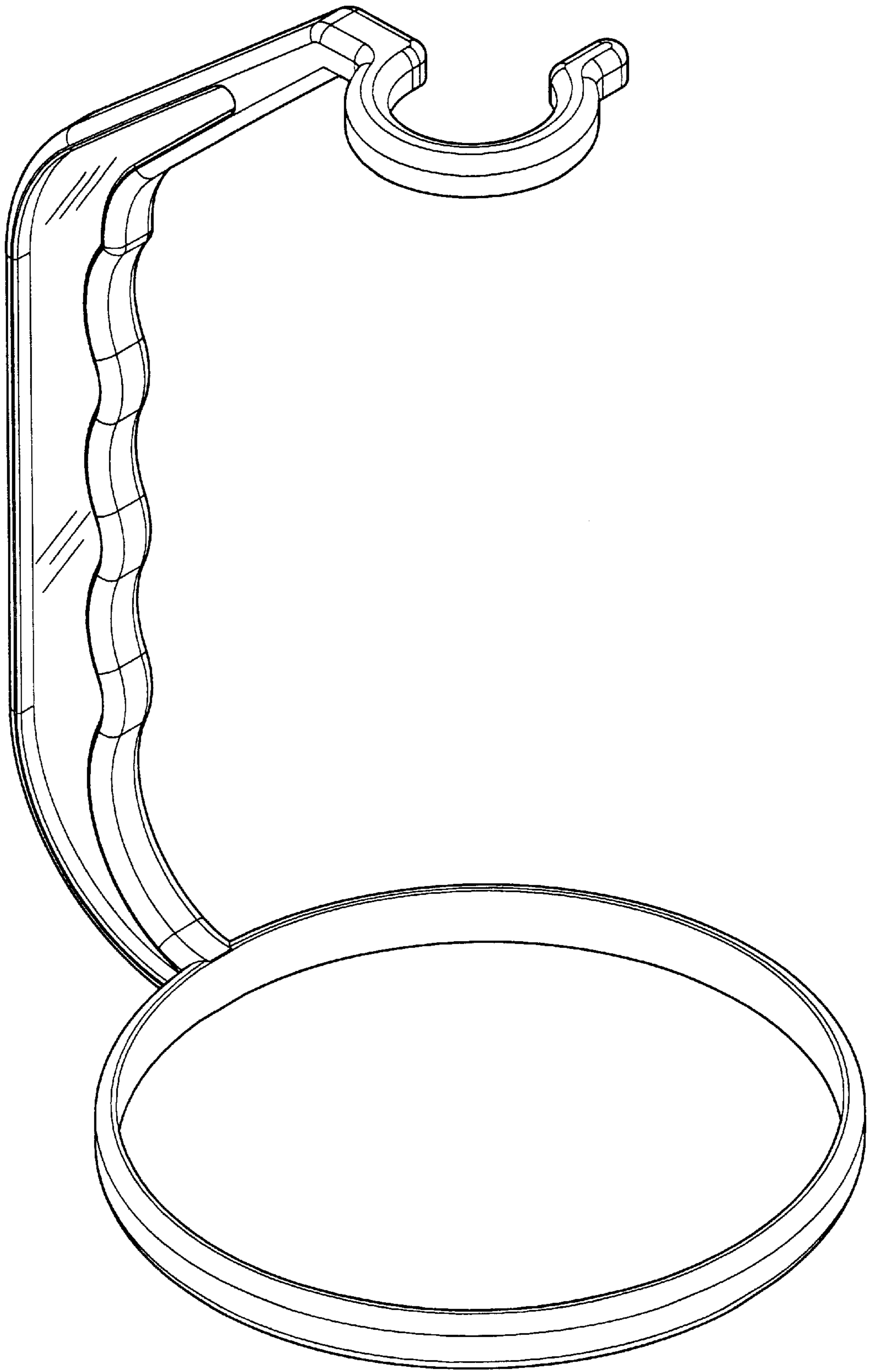


FIG. 1

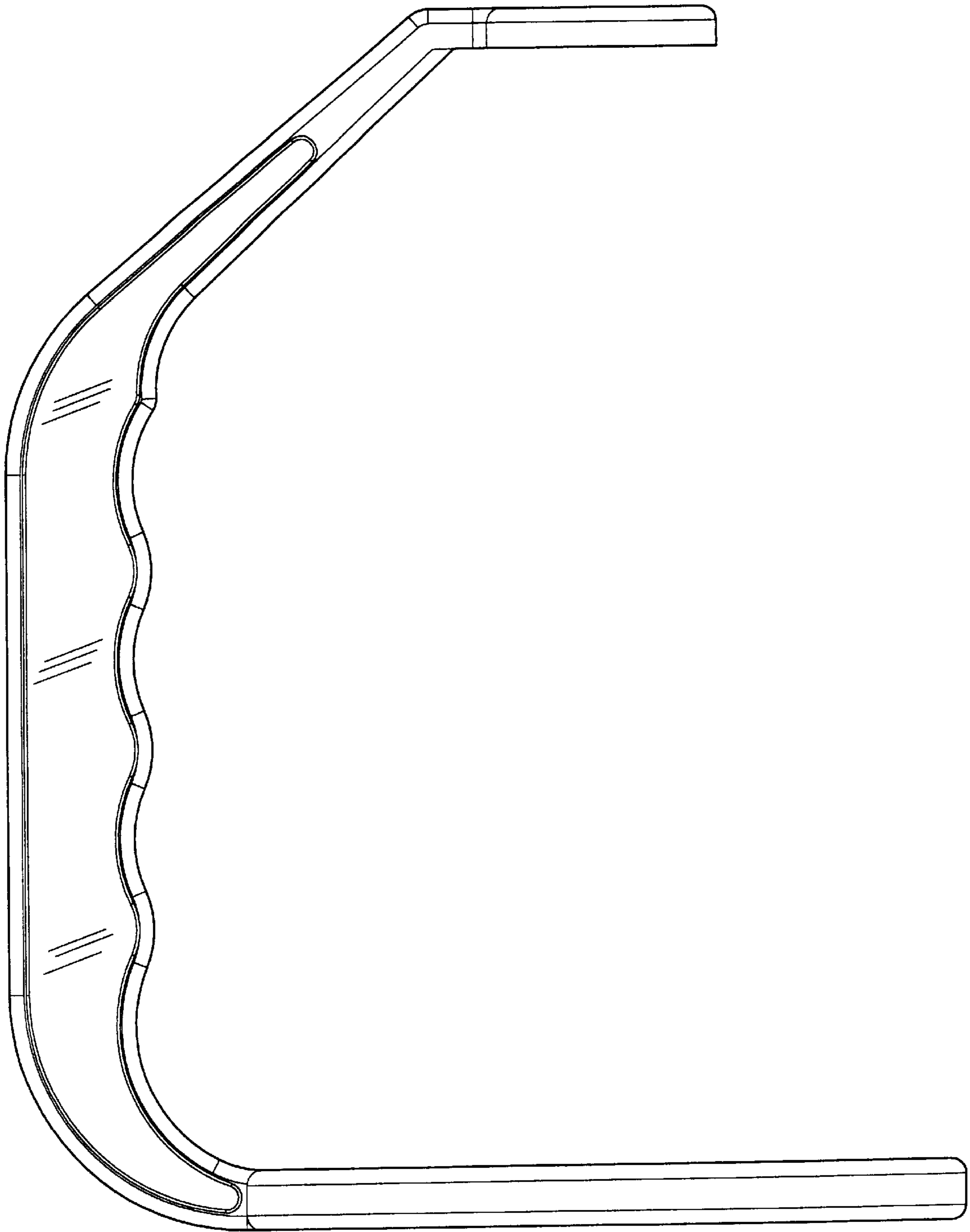


FIG. 2

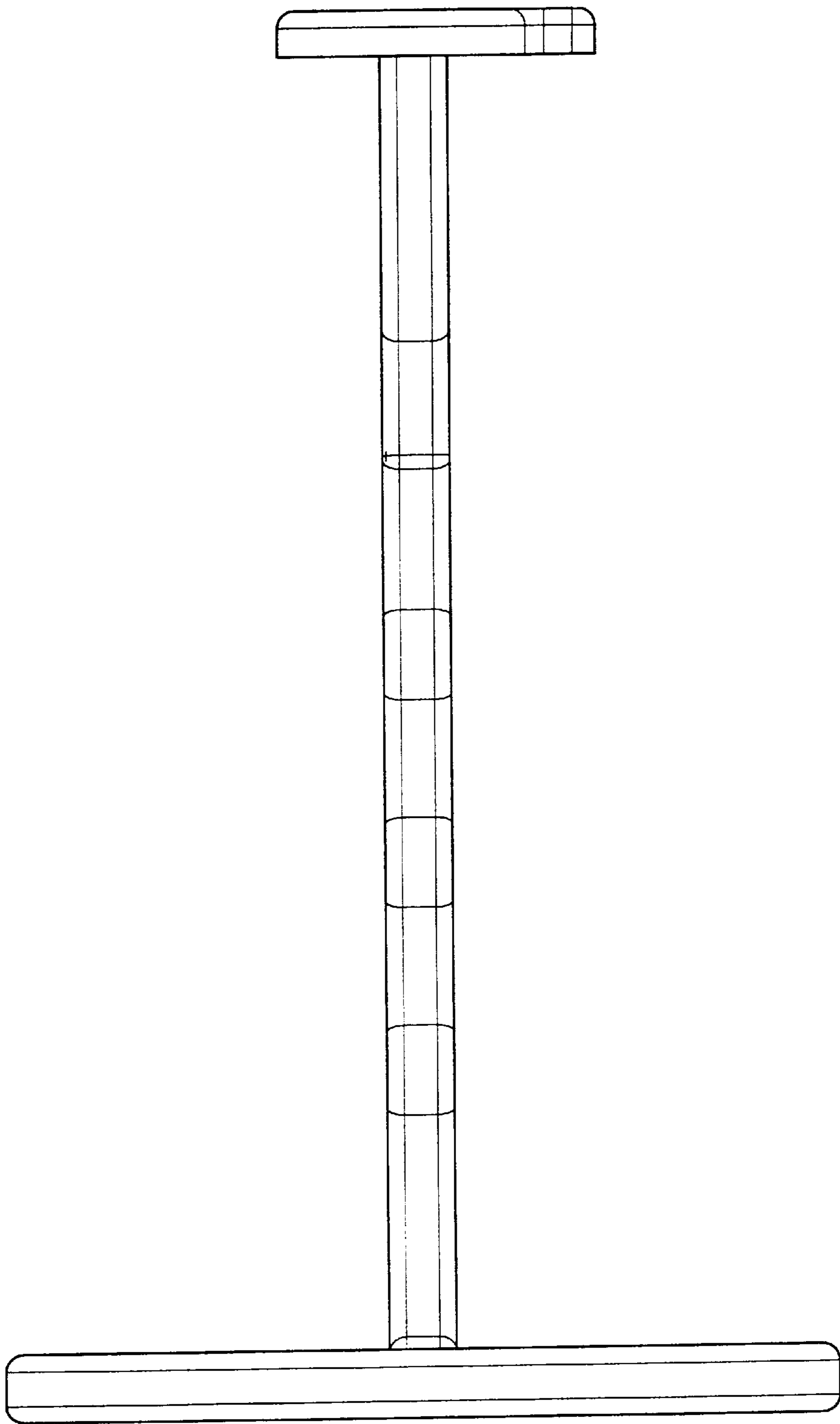


FIG. 3

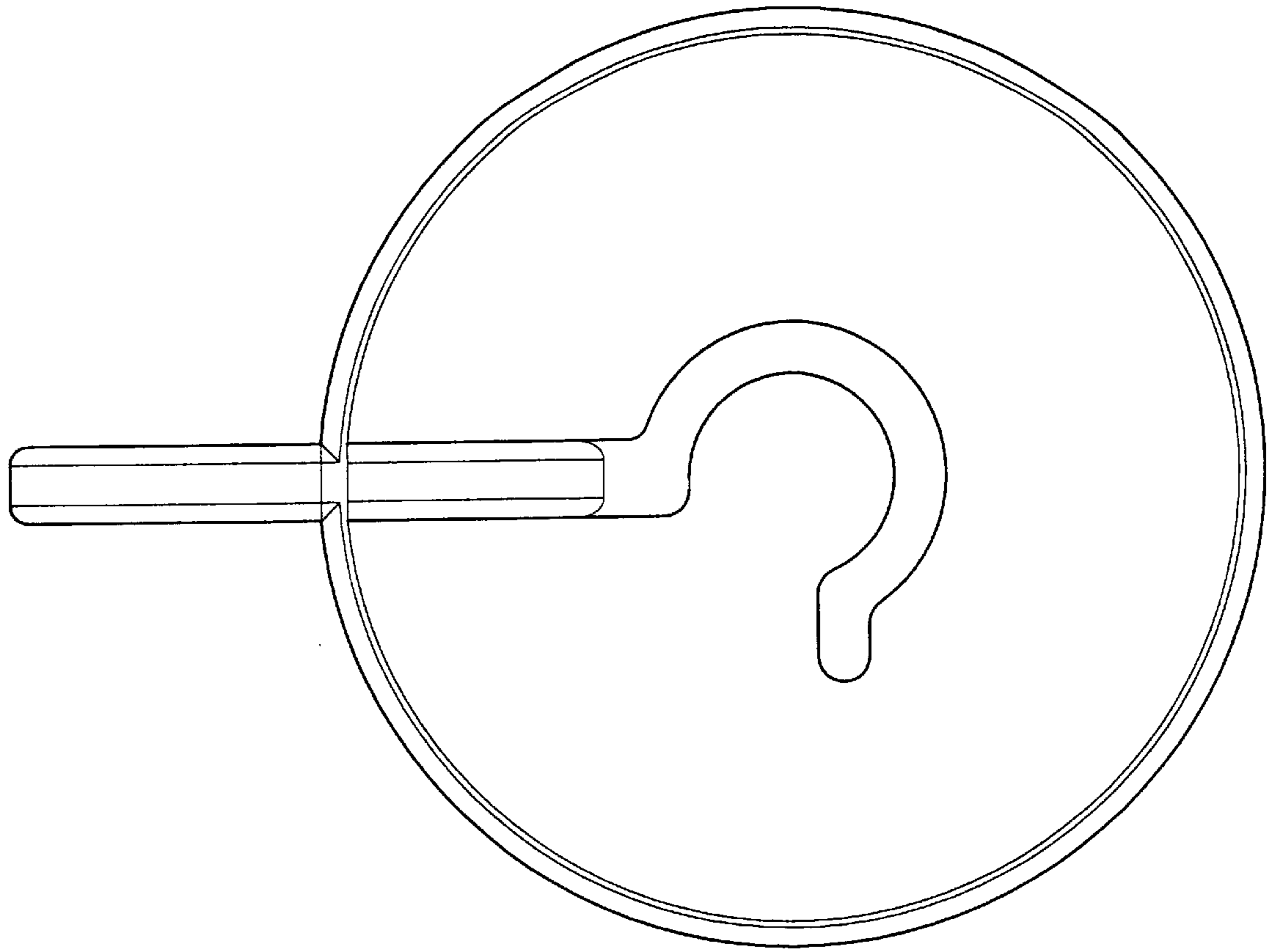


FIG. 4

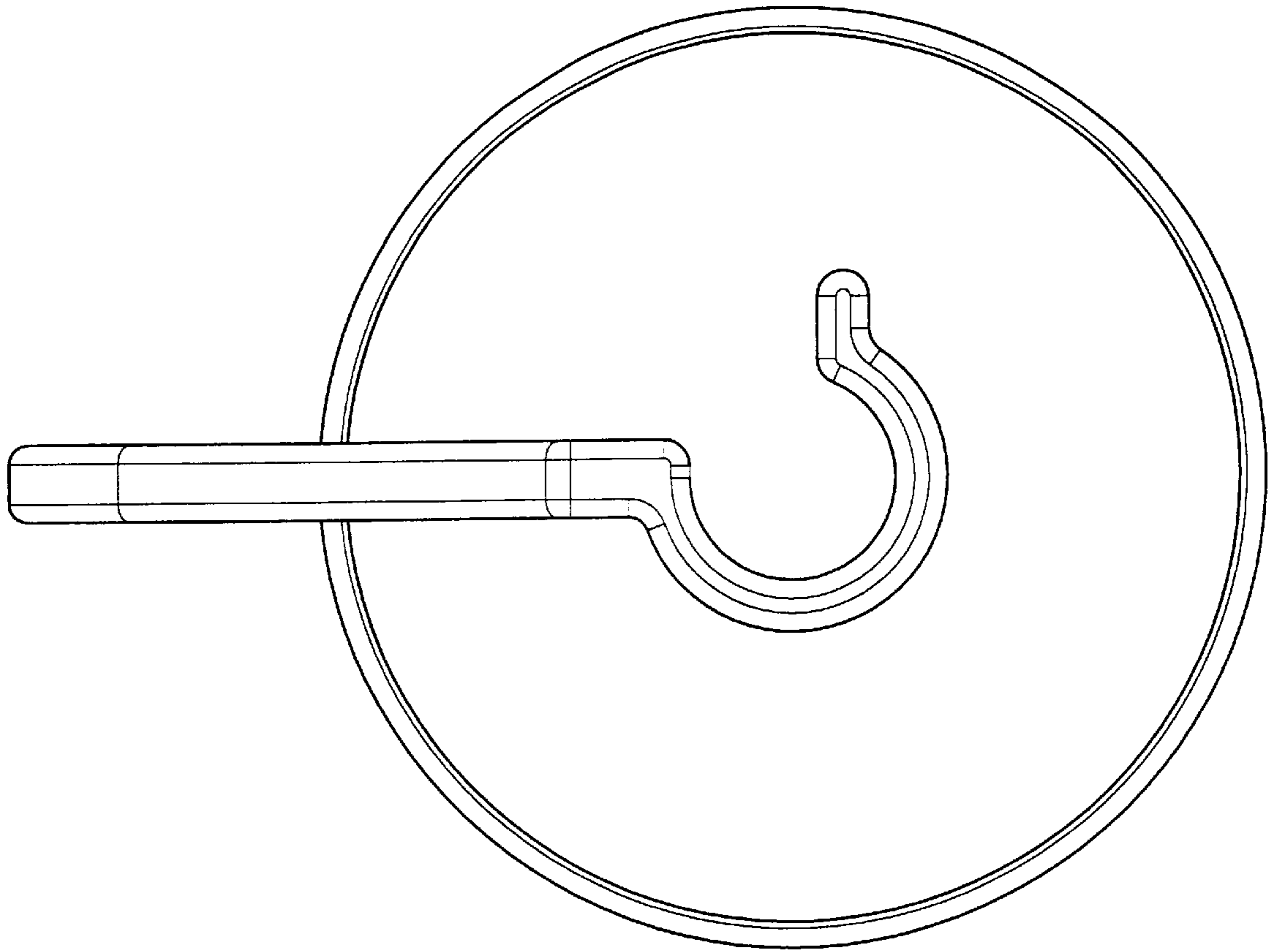


FIG. 5

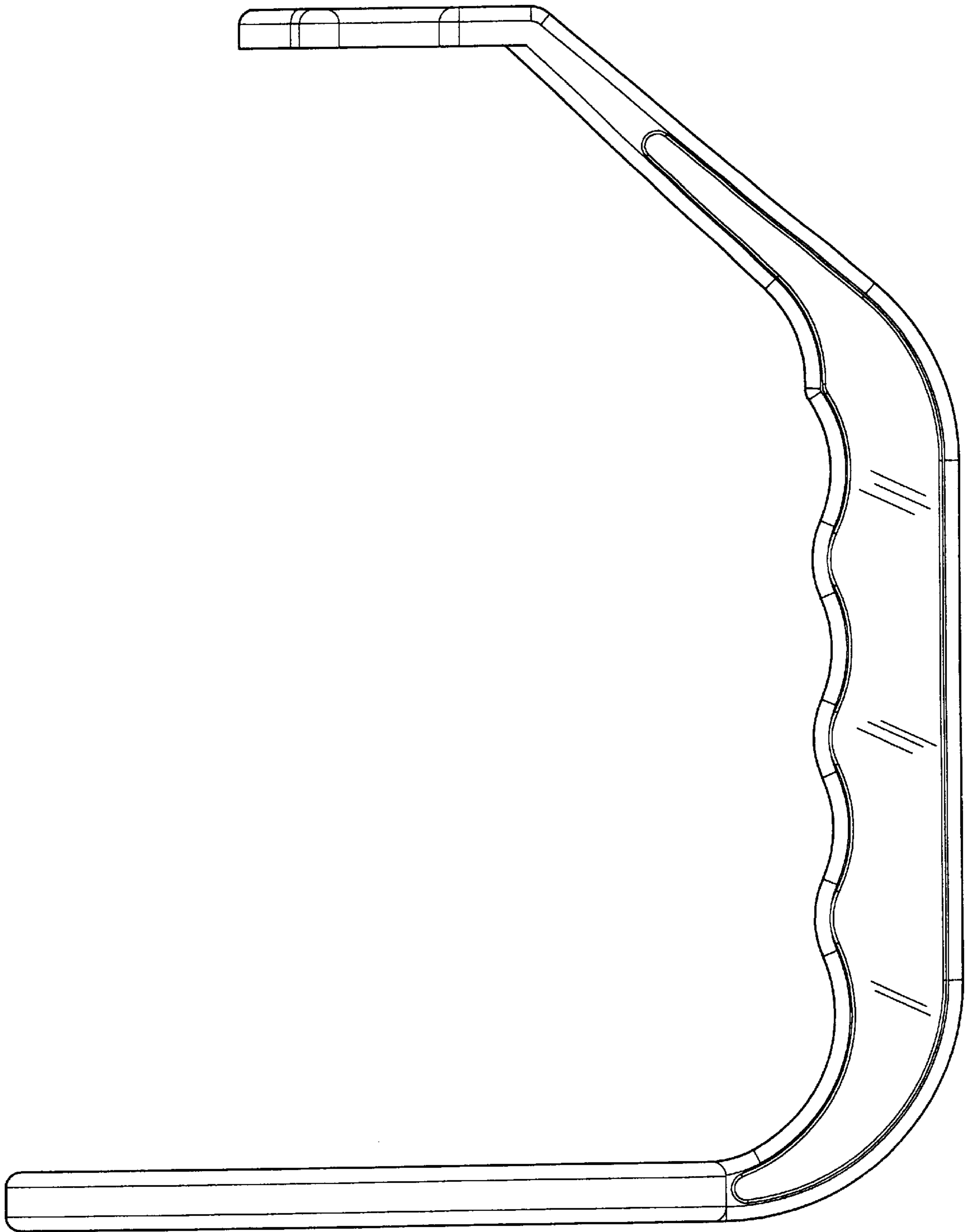


FIG. 6

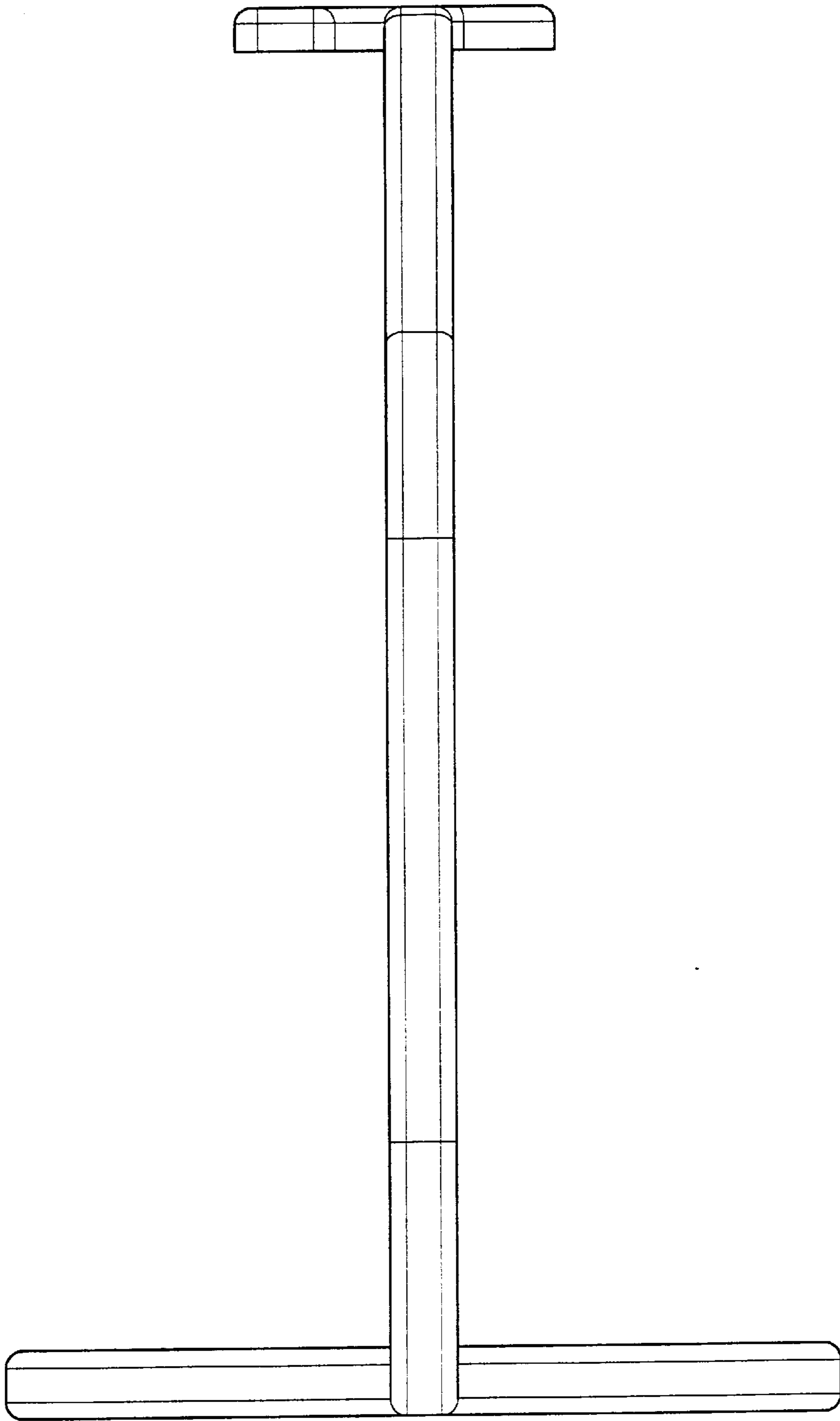


FIG. 7