



US00D429606S

United States Patent [19]

Israel et al.

[11] **Patent Number: Des. 429,606**

[45] **Date of Patent: ** Aug. 22, 2000**

[54] **WHEELED INSULATED CONTAINER**

[75] Inventors: **Gary P. Israel**, Andover; **Timothy M. Holub**, Cheney; **Lauren D. Worley**, Wichita, all of Kans.; **Vernon M. Svitak, Jr.**, Scottsdale, Ariz.; **Dowling G. Bellows**, Valley Center, Kans.

[73] Assignee: **The Coleman Company, Inc.**, Wichita, Kans.

[**] Term: **14 Years**

[21] Appl. No.: **29/108,823**

[22] Filed: **Aug. 4, 1999**

[51] **LOC (7) Cl.** **07-07**

[52] **U.S. Cl.** **D7/605**

[58] **Field of Search** D7/605-607; D3/273, D3/274; D34/12, 19, 24, 25; 62/457.1, 457.7, 371, 372; 220/592.2, 592.24, 592.25, 915.1, 915.2; 280/30, 43.1, 43.24, 47.26, 47.34, 645, 651, 652

[56] **References Cited**

U.S. PATENT DOCUMENTS

D. 328,689 8/1992 Riskowski D7/605

D. 369,695 5/1996 Imotani D7/605 X
D. 374,772 10/1996 Hotaling et al. D3/273 X
5,259,215 11/1993 Rocca 62/371
5,373,708 12/1994 Dumoulin 62/457.7

Primary Examiner—Terry A. Wallace
Attorney, Agent, or Firm—Kramer Levin Naftalis Frankel LLP

[57] **CLAIM**

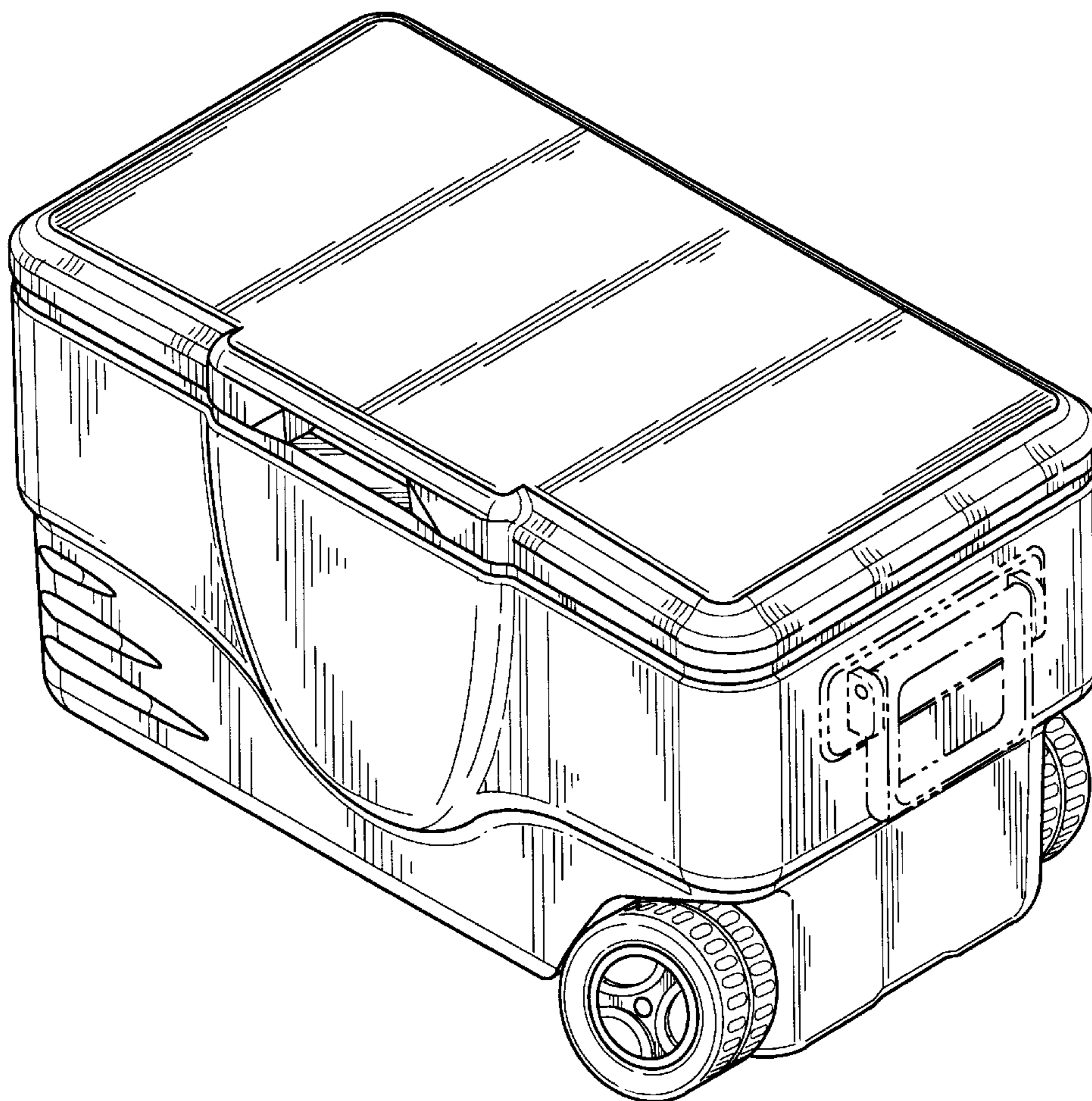
The ornamental design for a wheeled insulated container, as shown and described.

DESCRIPTION

FIG. 1 is a front perspective view showing the new design; FIG. 2 is a side elevational view thereof; FIG. 3 is a side elevational view thereof; FIG. 4 is a top plan view thereof; FIG. 5 is a bottom plan view thereof; FIG. 6 is a front elevational view thereof; and, FIG. 7 is a rear elevational view thereof.

The broken lines are for illustrative purposes only and form no part of the claimed design.

1 Claim, 7 Drawing Sheets



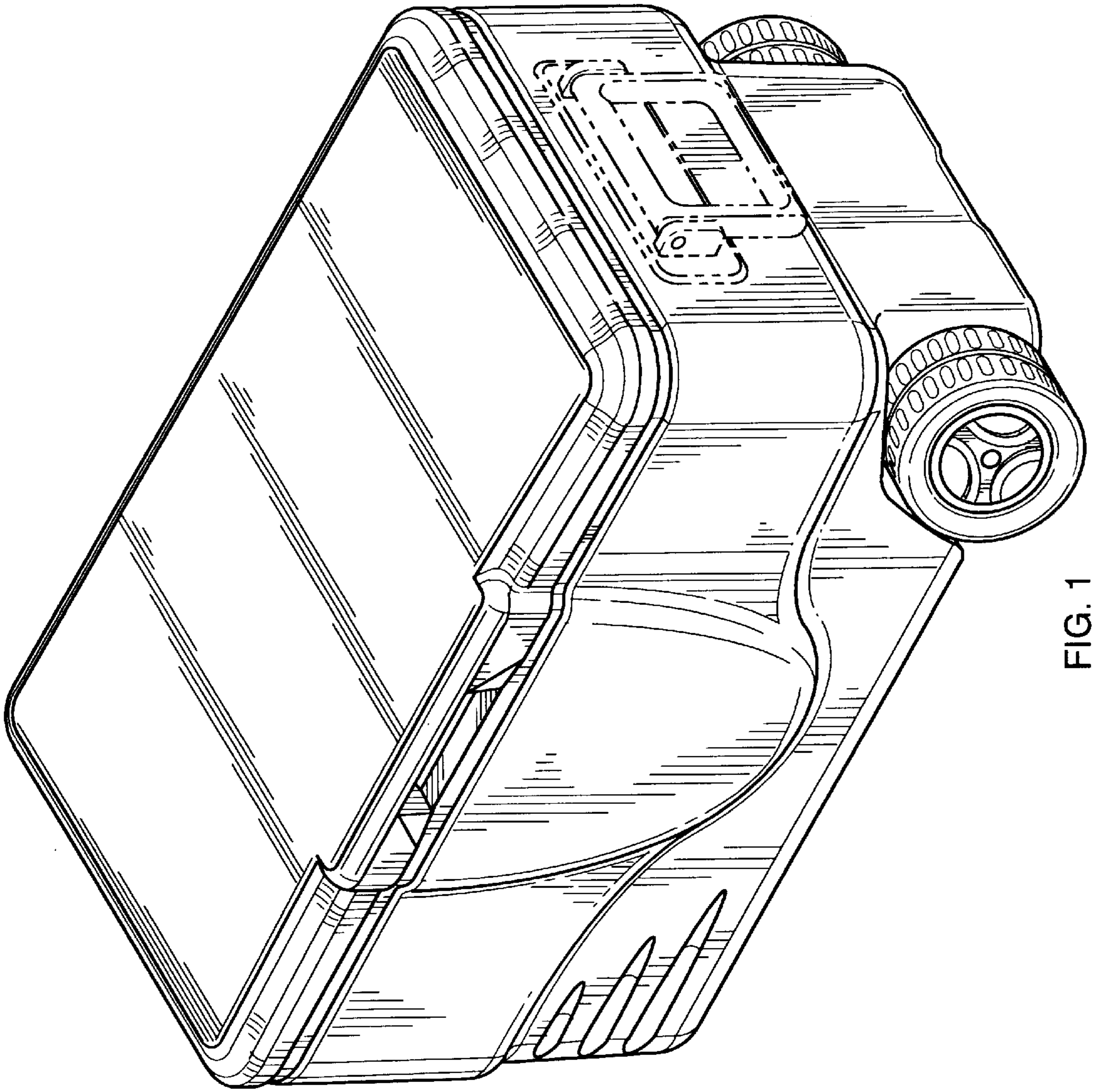


FIG. 1

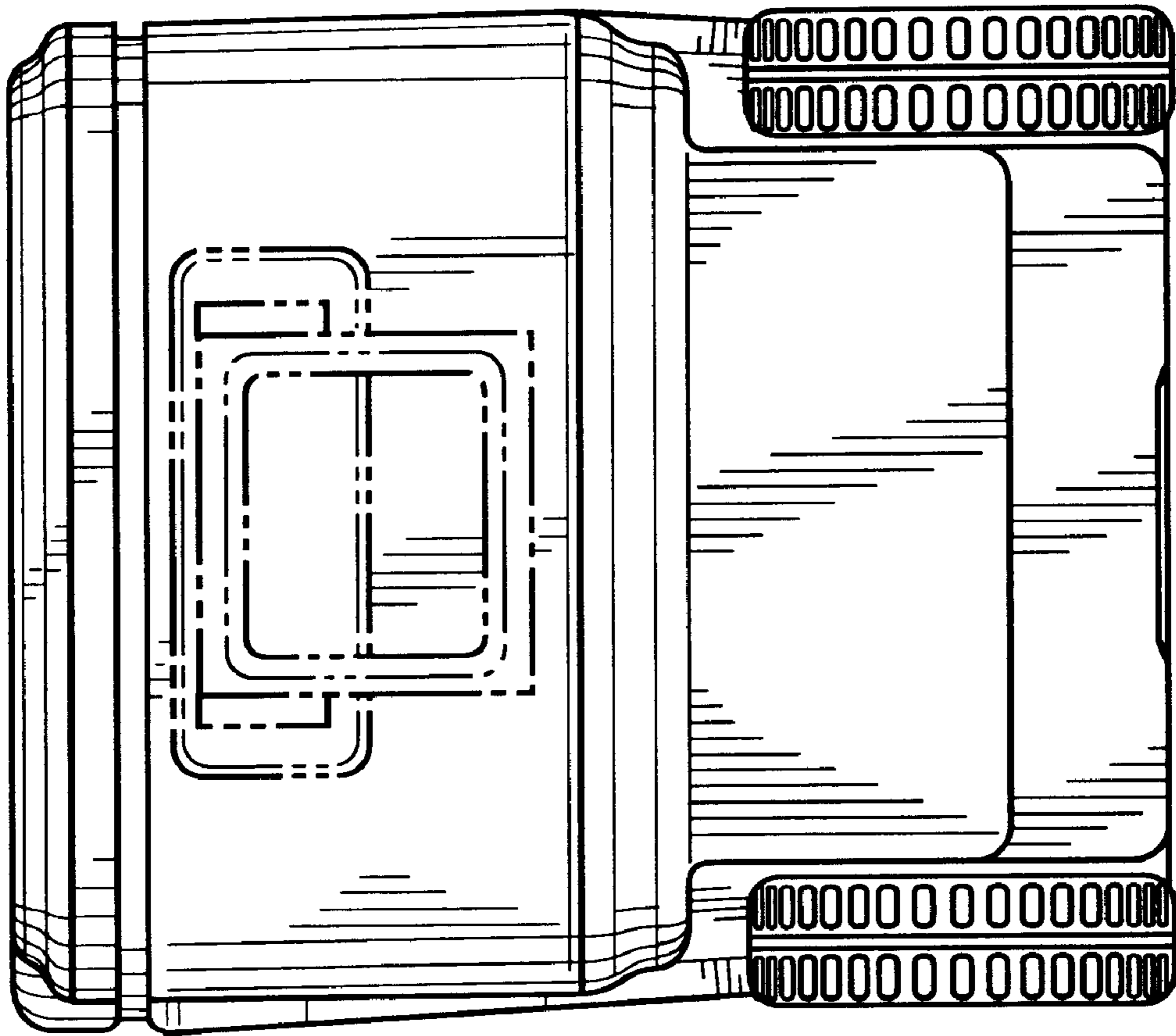


FIG. 2

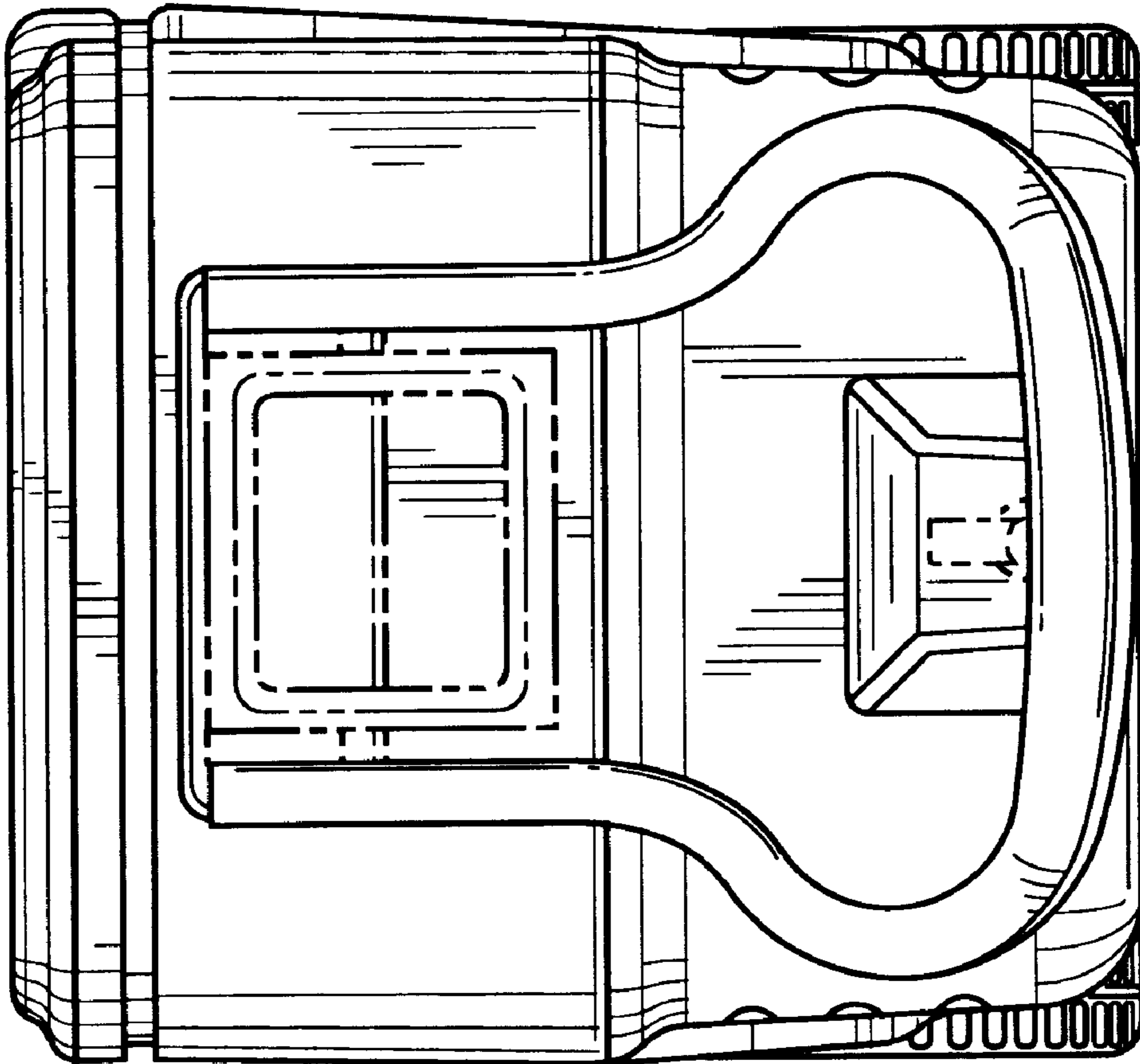


FIG. 3

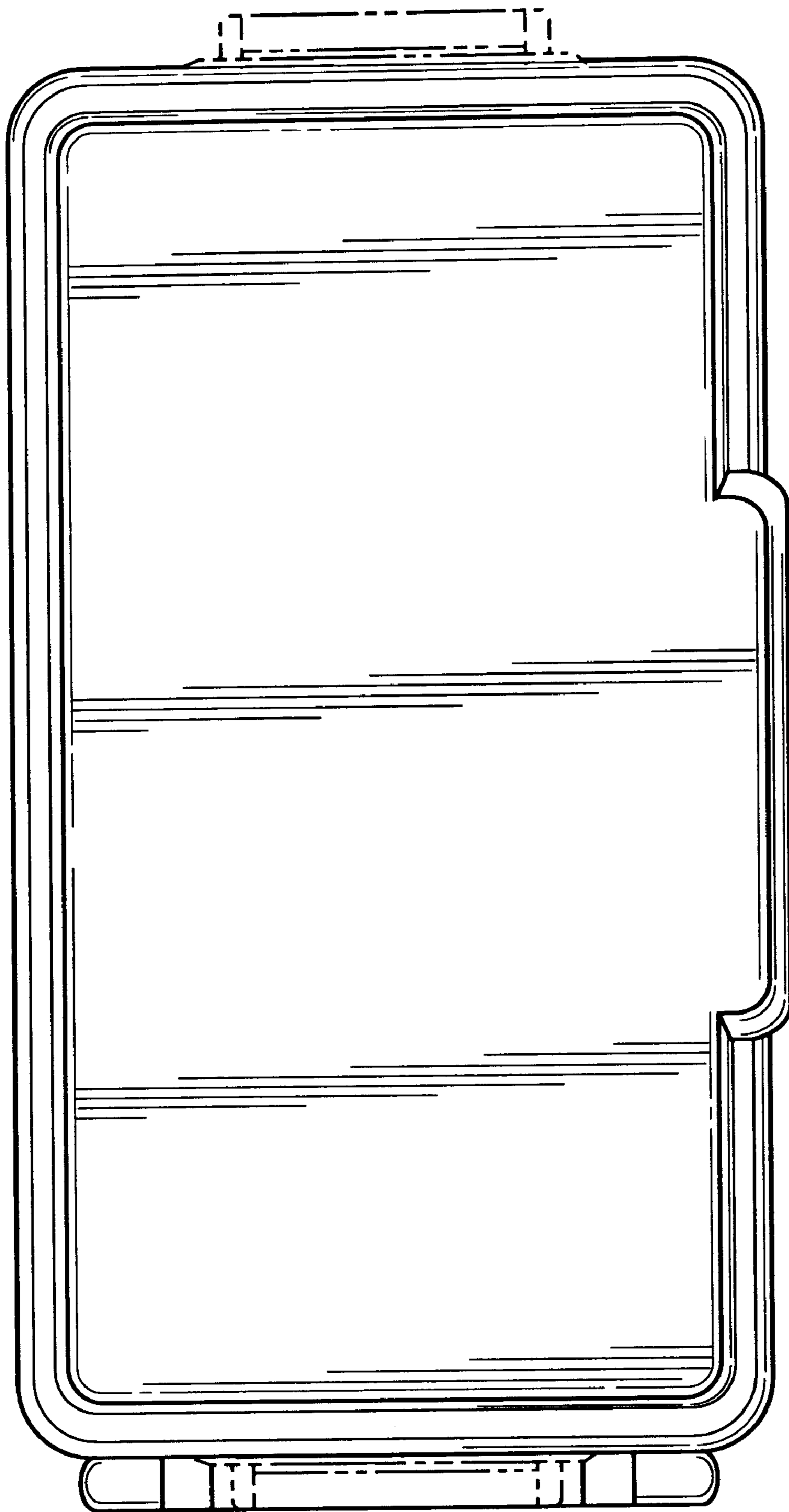


FIG. 4

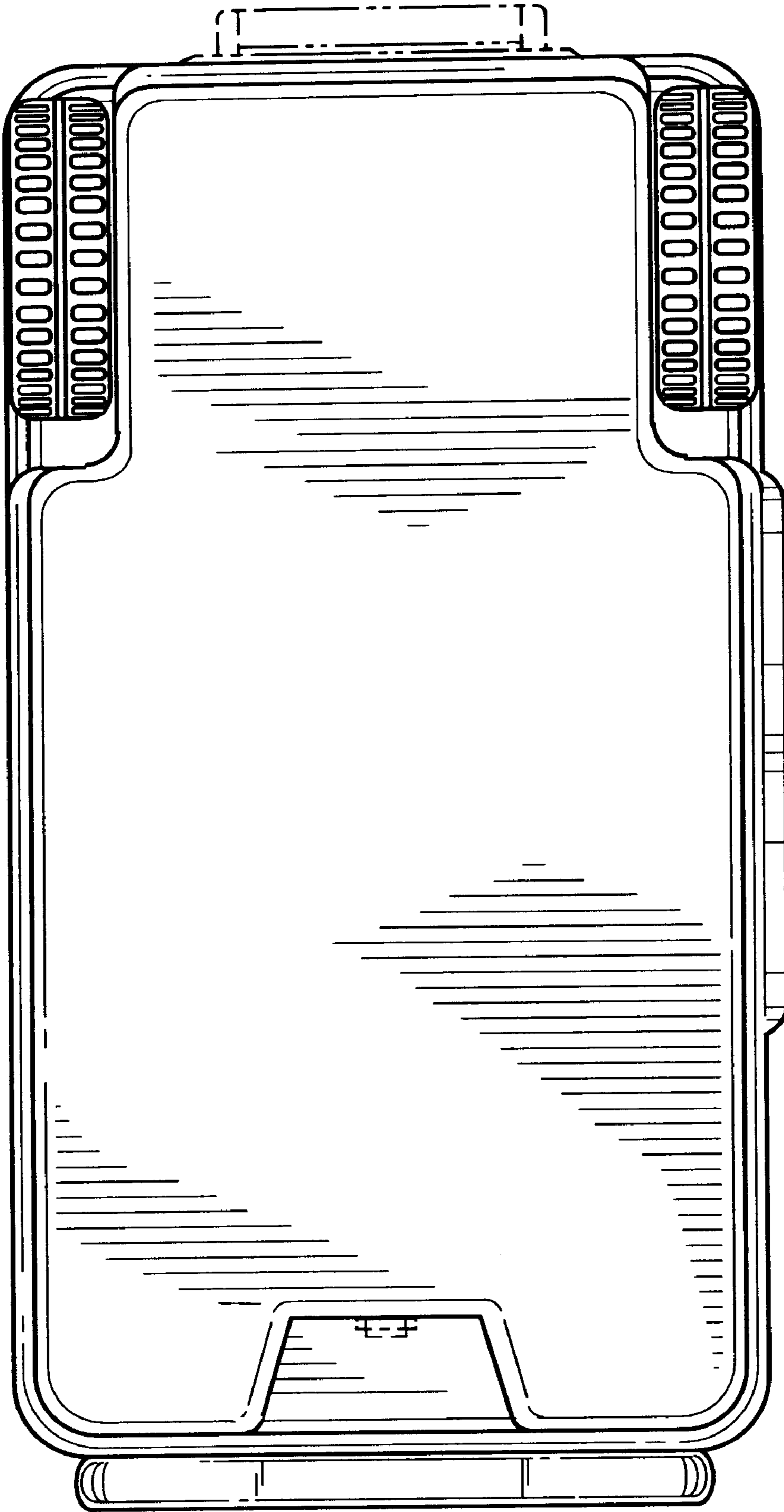


FIG. 5

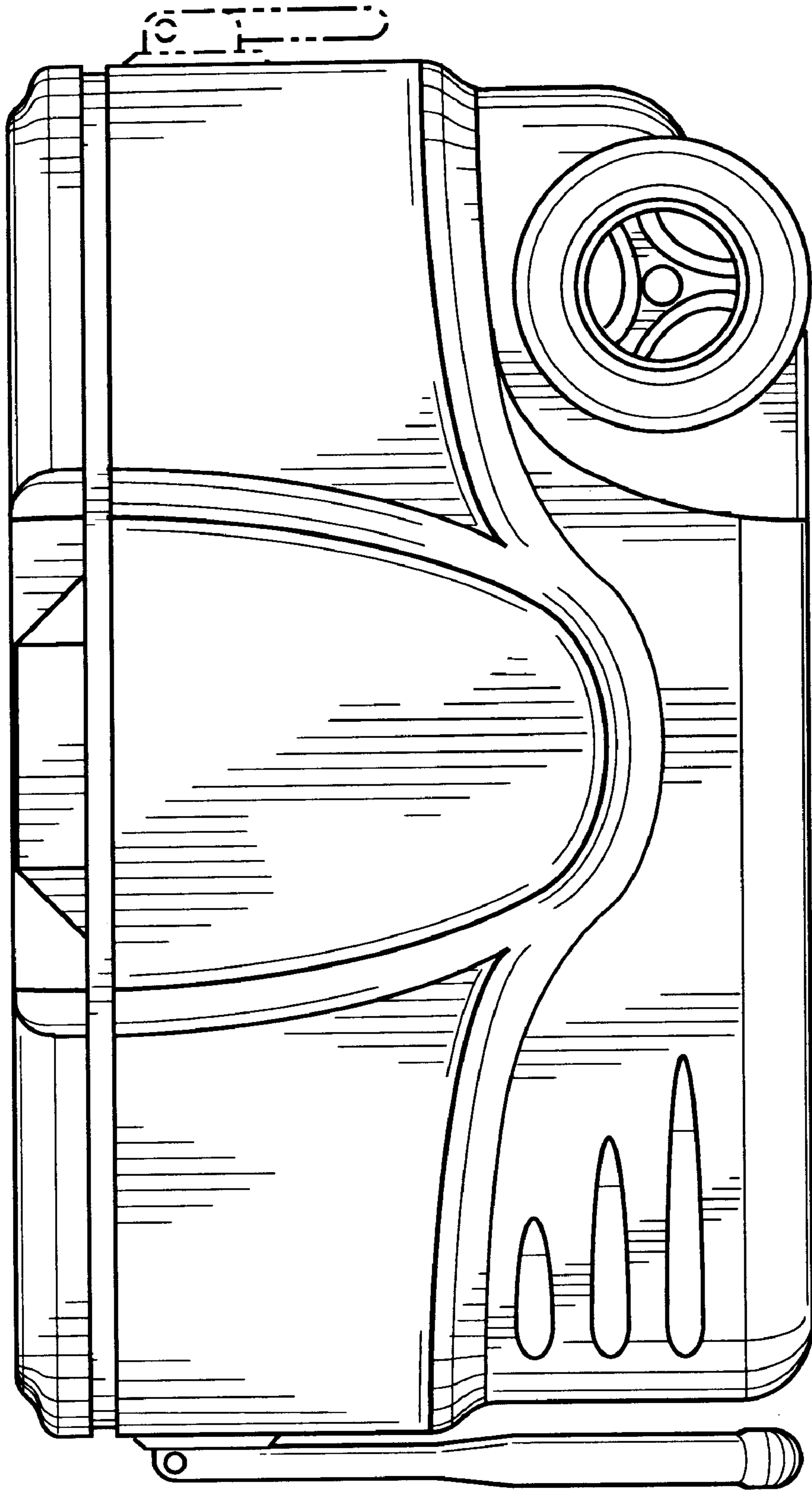


FIG. 6

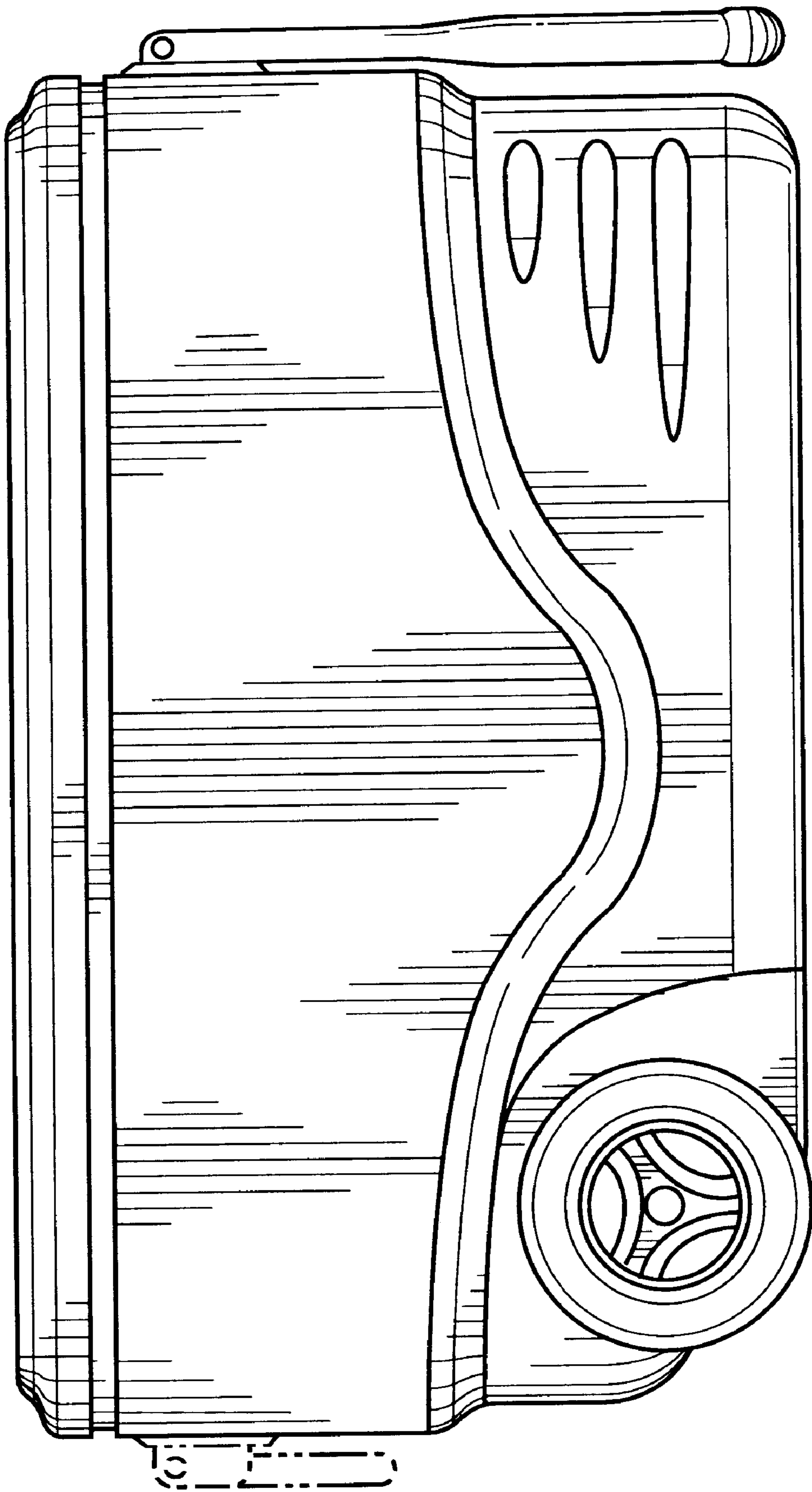


FIG. 7