



US00D429603S

# United States Patent [19] Lipson

[11] **Patent Number: Des. 429,603**

[45] **Date of Patent: \*\* Aug. 22, 2000**

[54] **MARTINI GLASS AND STRAW**

[76] **Inventor: Erik Lipson, 1530 Locust St., #10B, Philadelphia, Pa. 19102**

[\*\*] **Term: 14 Years**

[21] **Appl. No.: 29/115,402**

[22] **Filed: Dec. 13, 1999**

[51] **LOC (7) Cl. .... 07-01**

[52] **U.S. Cl. .... D7/507; D7/509; D7/300.2; D7/529; D7/537**

[58] **Field of Search ..... D7/300.2, 507, D7/509, 510, 529, 523, 524, 525, 537; 239/33; 215/388, DIG. 8, 6; 220/705; 229/400; 356/216**

[56] **References Cited**

**U.S. PATENT DOCUMENTS**

D. 248,004	5/1978	Simpson	.....	D7/524
D. 269,659	7/1983	Holloway	.....	D7/11
D. 279,250	6/1985	Holloway	.....	D7/507
D. 330,993	11/1992	Robbins, III	.....	D7/510

D. 360,558	7/1995	Appleman	.....	D7/507
2,750,768	6/1956	Laurent	.....	215/6
2,885,134	5/1959	Cohen	.....	229/400
4,428,490	1/1984	Holloway	.....	215/1 A
5,739,903	4/1998	Kepner	.....	356/216
5,806,765	9/1998	Weinstein	.....	239/33
5,813,604	9/1998	Frasseti	.....	239/33

*Primary Examiner*—M. N. Pandozzi  
*Attorney, Agent, or Firm*—Gifford, Krass, Groh, Sprinkle, Anderson & Citkowski, P.C.

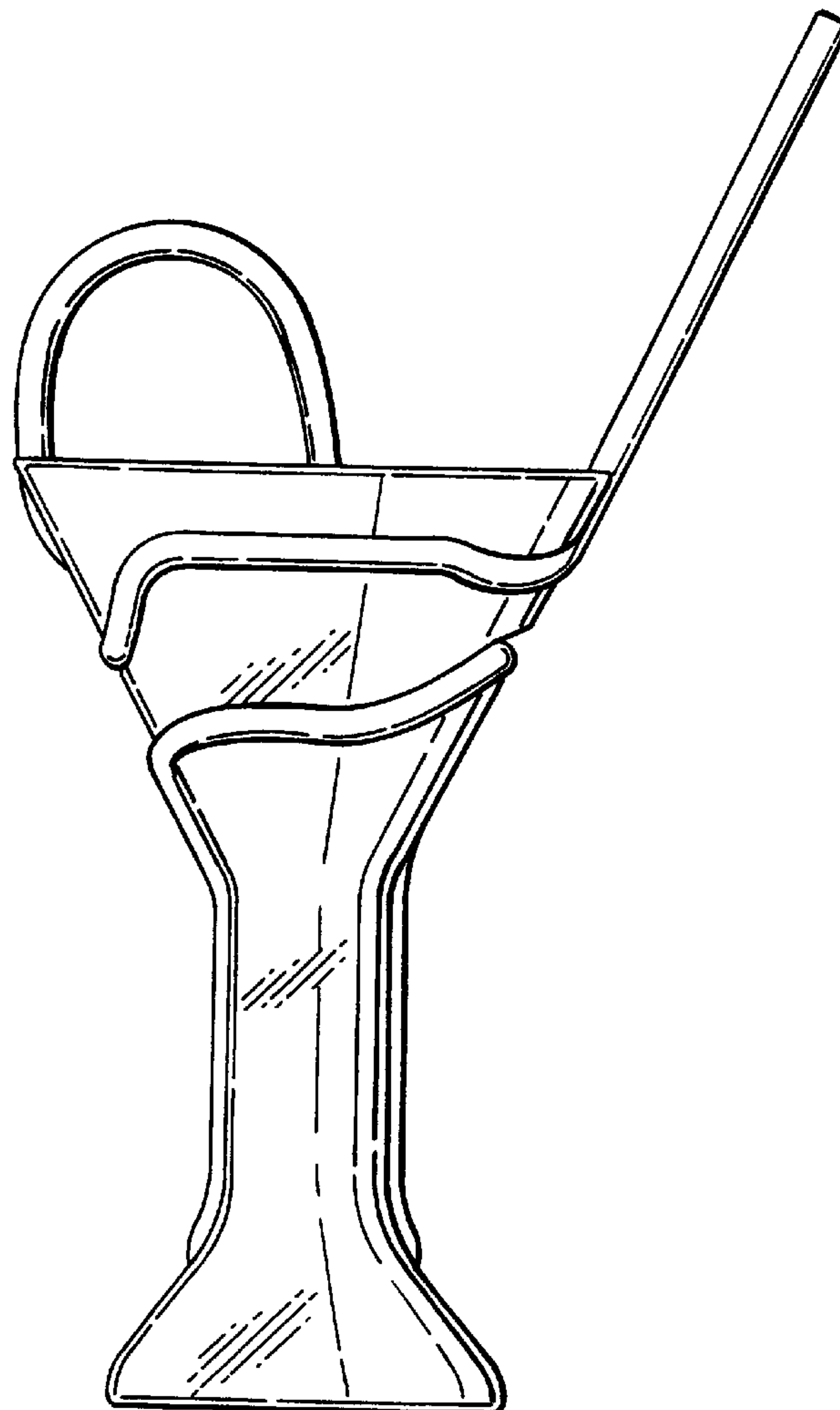
[57] **CLAIM**

I claim the ornamental design for a martini glass and straw, as shown and described.

**DESCRIPTION**

FIG. 1 is a front elevational view of a martini glass and straw embodying my new design;  
FIG. 2 is a left side elevational view thereof;  
FIG. 3 is a top plan view thereof;  
FIG. 4 is a rear elevational view thereof;  
FIG. 5 is a right side elevational view thereof; and,  
FIG. 6 is a bottom plan view thereof.

**1 Claim, 2 Drawing Sheets**



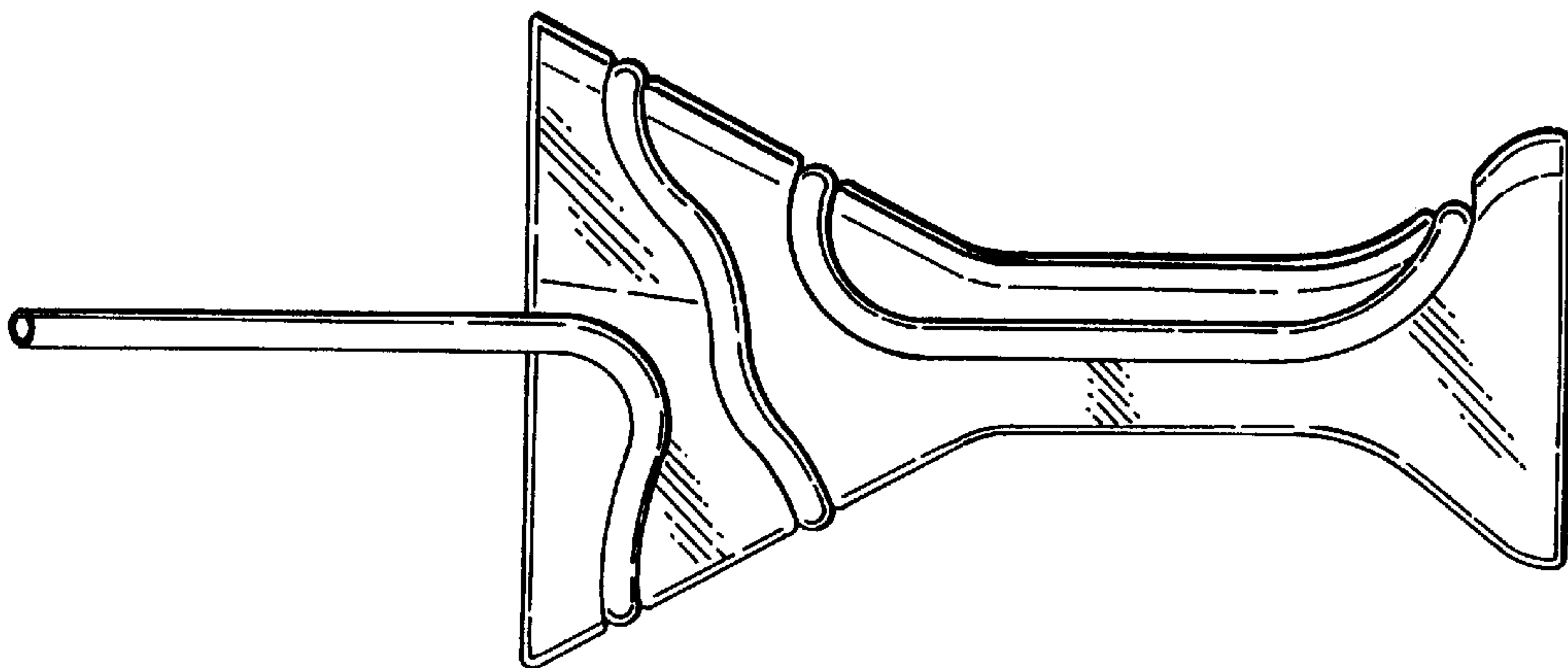


FIG-1

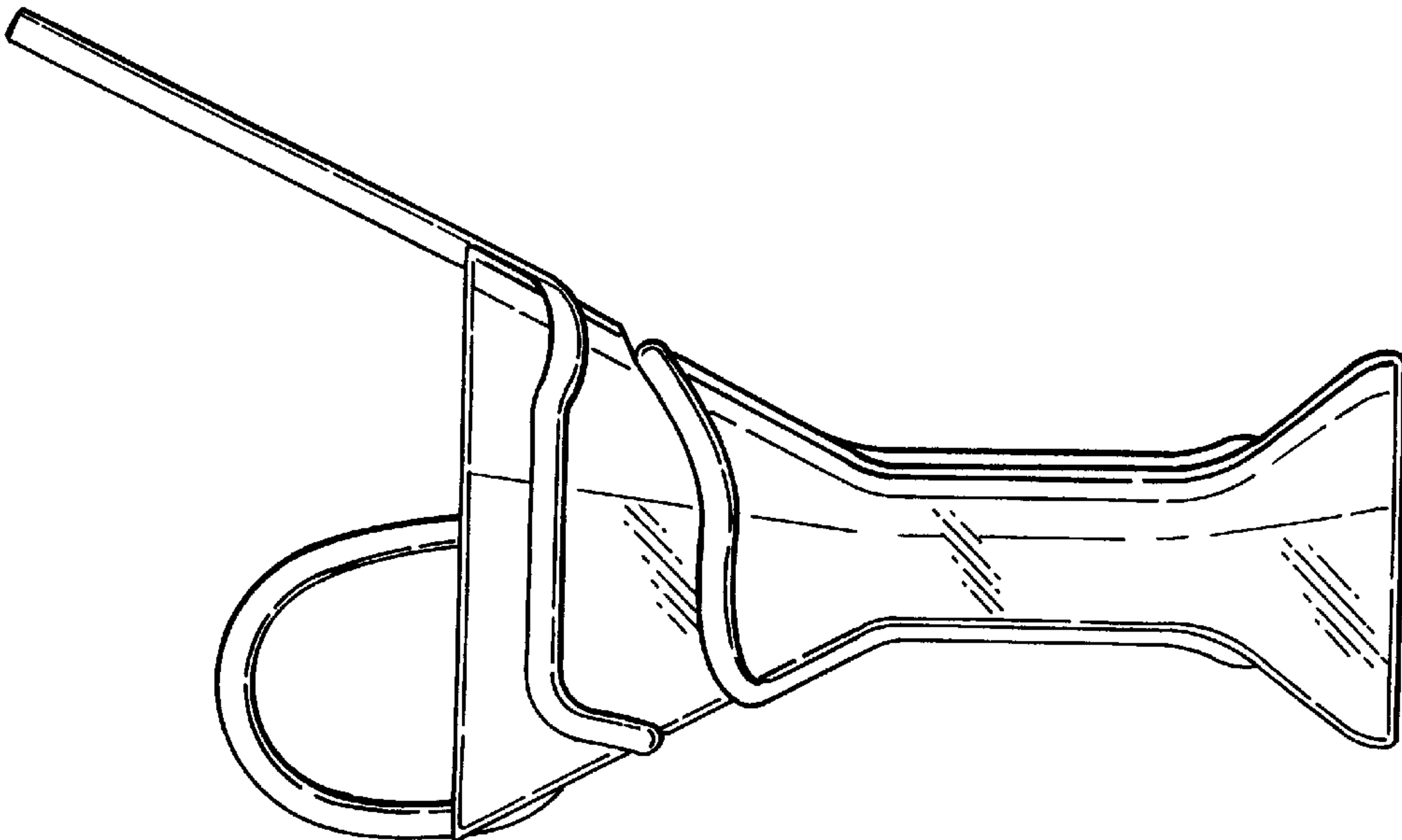


FIG-2

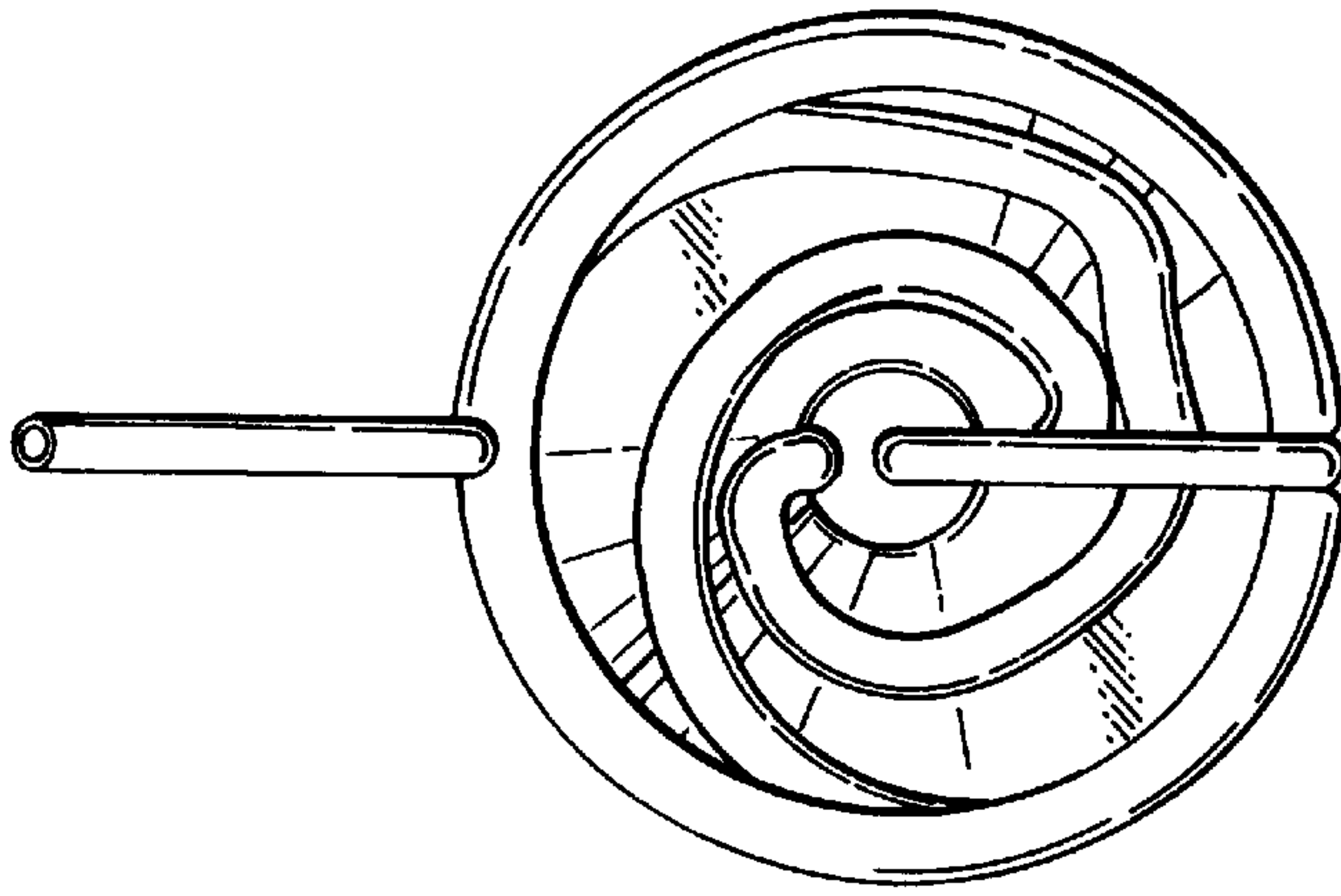


FIG-3

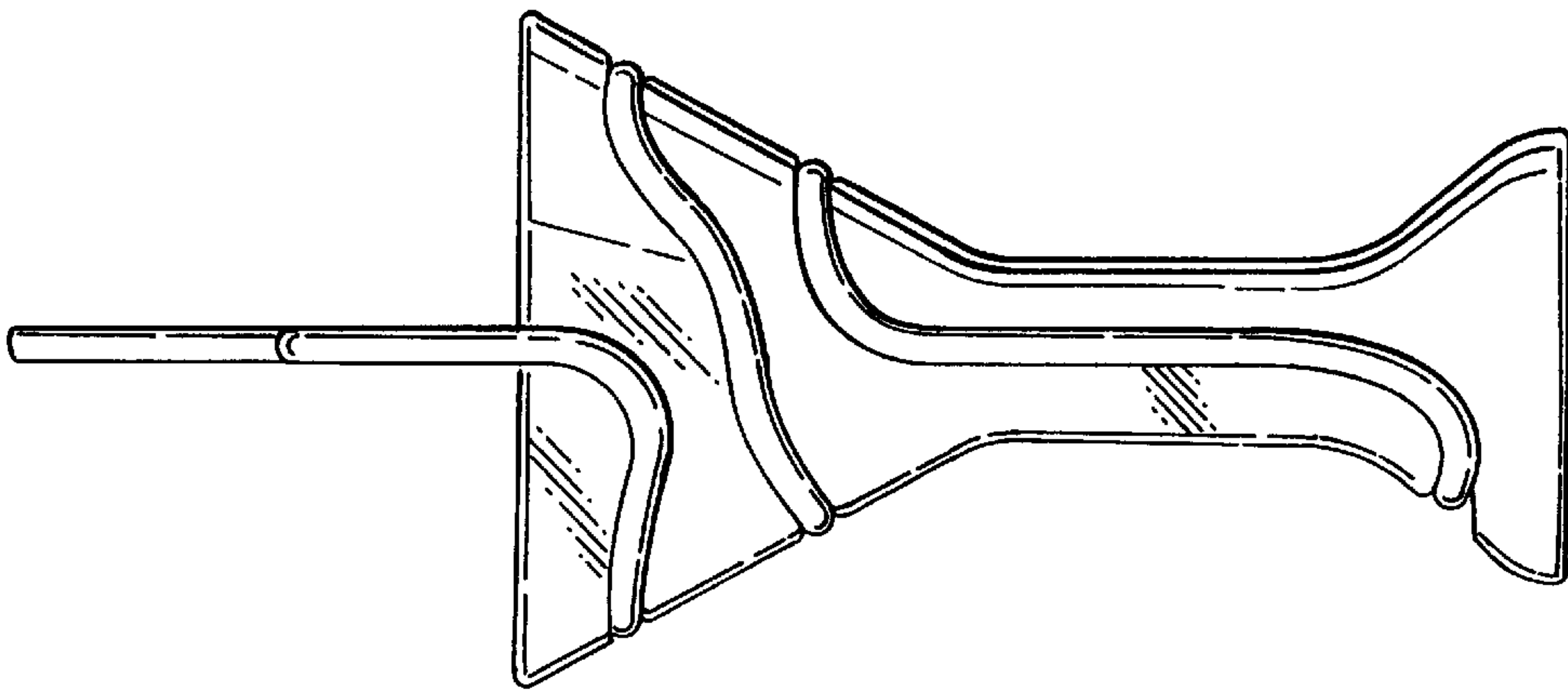


FIG-4

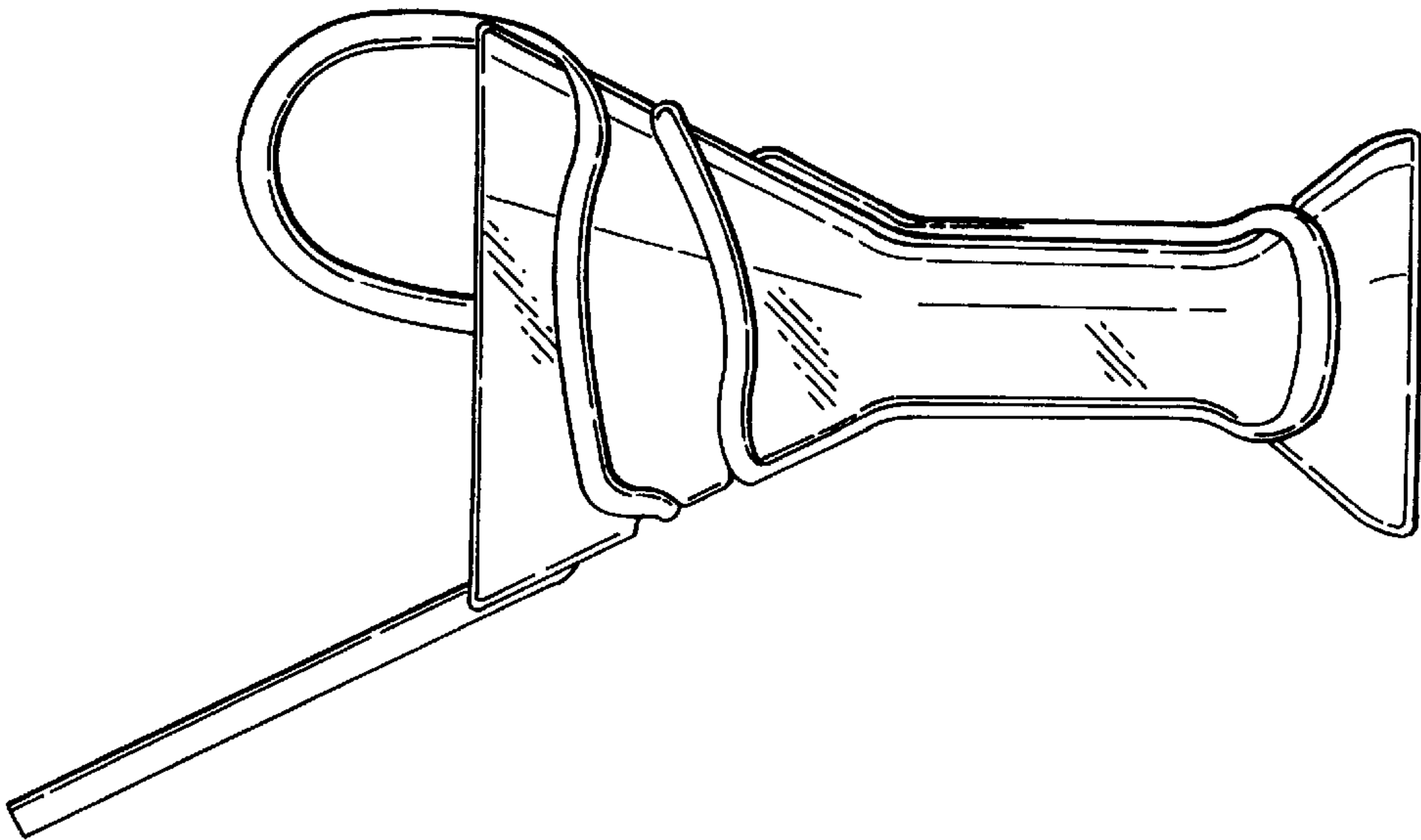


FIG-5

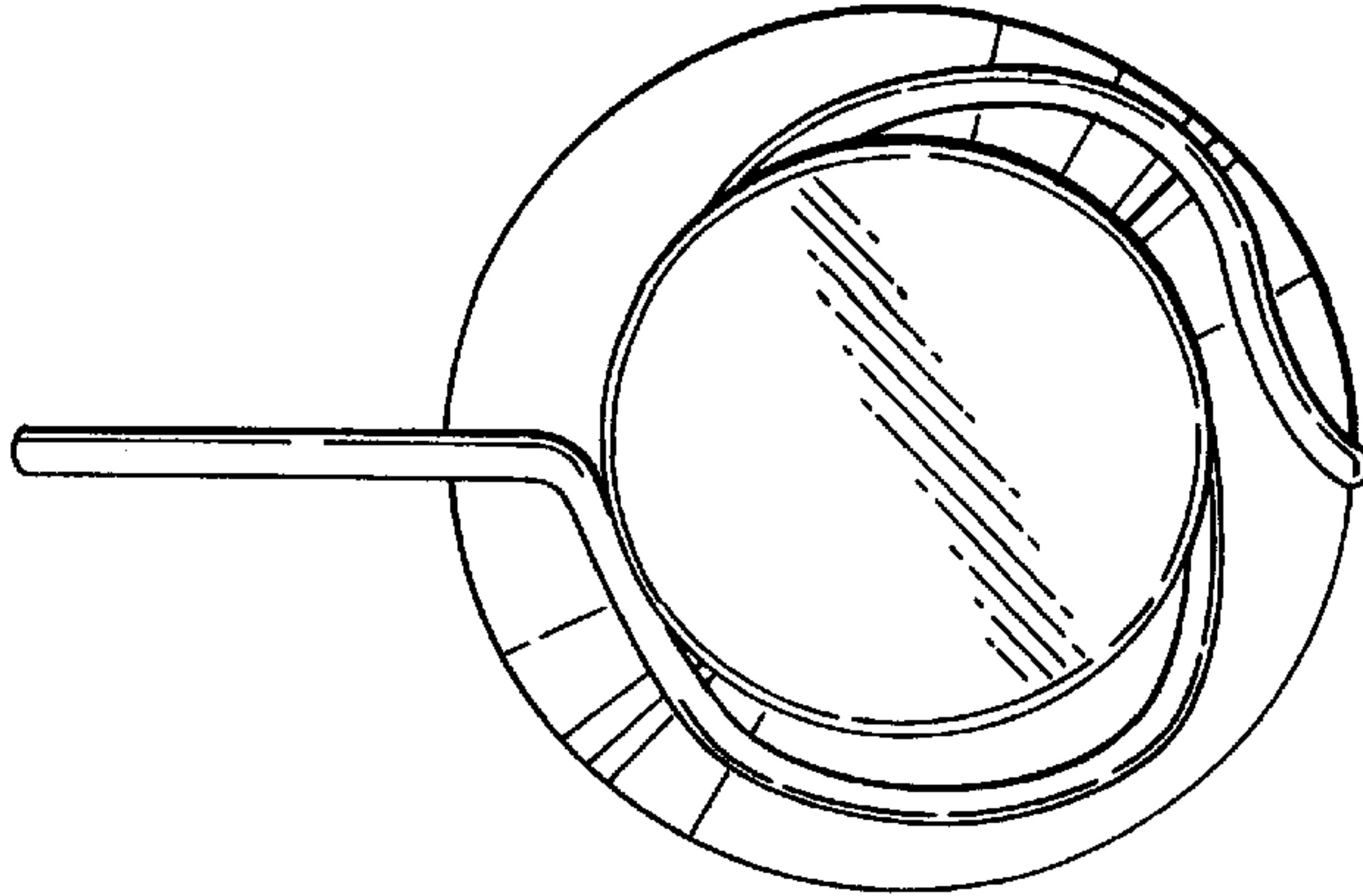


FIG-6