



US00D429602S

United States Patent [19] Lipson

[11] **Patent Number: Des. 429,602**

[45] **Date of Patent: ** Aug. 22, 2000**

[54] **HIGHBALL GLASS AND STRAW**

[76] Inventor: **Erik Lipson**, 1530 Locust St., #10B,
Philadelphia, Pa. 19102

[**] Term: **14 Years**

[21] Appl. No.: **29/115,362**

[22] Filed: **Dec. 13, 1999**

[51] **LOC (7) Cl. 07-01**

[52] **U.S. Cl. D7/507; D7/509; D7/300.2;
D7/529**

[58] **Field of Search D7/300.2, 507,
D7/509, 510, 529, 523; 239/33; 215/388,
DIG. 8, 6; 220/705; 229/400; 356/216**

2,885,134 5/1959 Cohen 229/400
 4,428,490 1/1984 Holloway 215/1 A
 5,739,903 4/1998 Kepner 356/216
 5,806,765 9/1998 Weinstein 239/33
 5,813,604 9/1998 Frasseti 239/33

Primary Examiner—M. N. Pandozzi
Attorney, Agent, or Firm—Gifford, Krass, Groh, Sprinkle,
 Anderson & Citkowski, P.C.

[57] CLAIM

I claim the ornamental design for a highball glass and straw,
 as shown and described.

DESCRIPTION

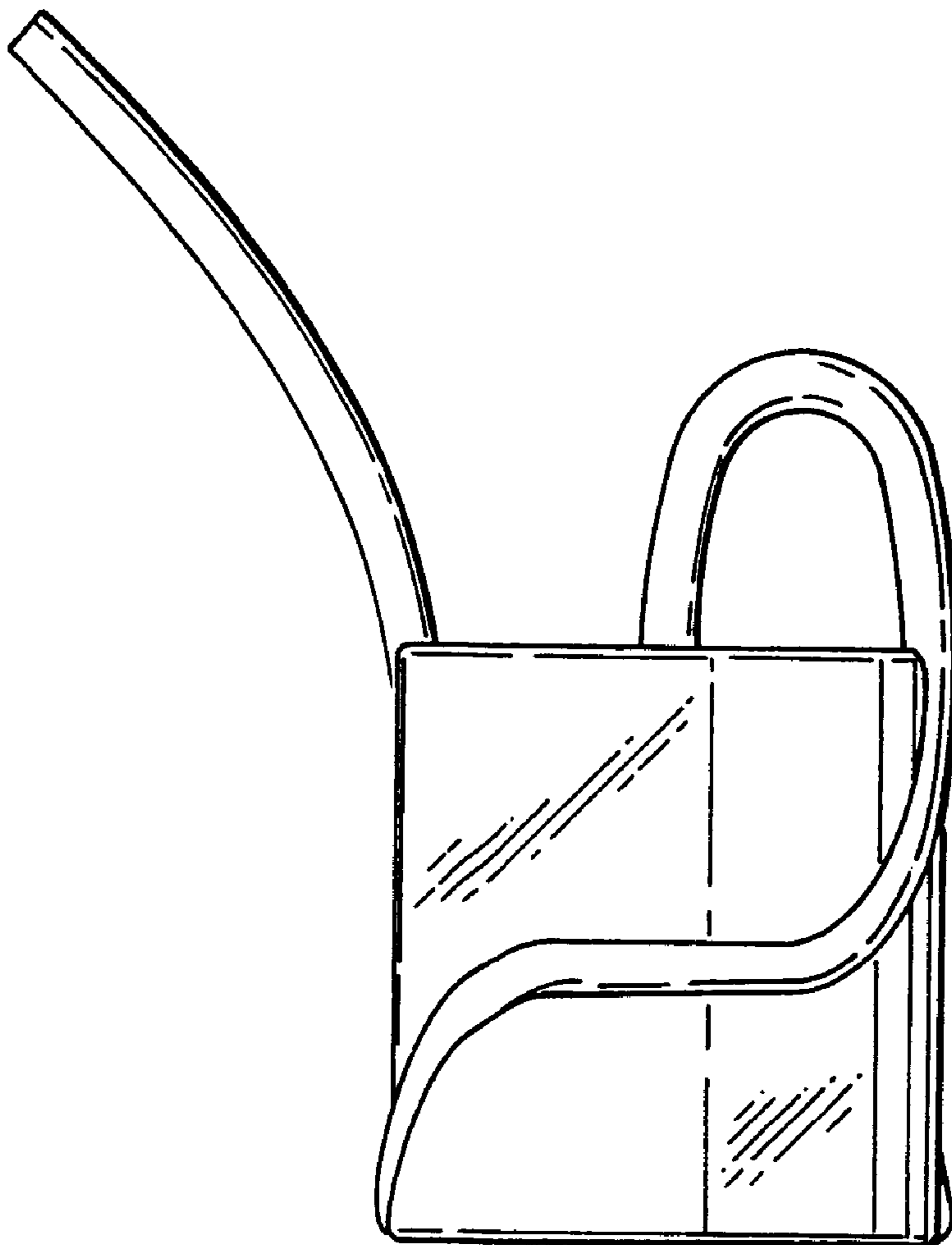
FIG. 1 is a right side elevational view showing my new
 design;
 FIG. 2 is a front elevational view thereof;
 FIG. 3 is a top plan view thereof;
 FIG. 4 is a left side elevational view thereof;
 FIG. 5 is a rear elevational view thereof; and,
 FIG. 6 is a bottom plan view thereof.

[56] **References Cited**

U.S. PATENT DOCUMENTS

D. 279,250	6/1985	Holloway	D7/507
D. 330,993	11/1992	Robbins, III	D7/510
D. 360,558	7/1995	Appleman	D7/507
2,750,768	6/1956	Laurent	215/6

1 Claim, 2 Drawing Sheets



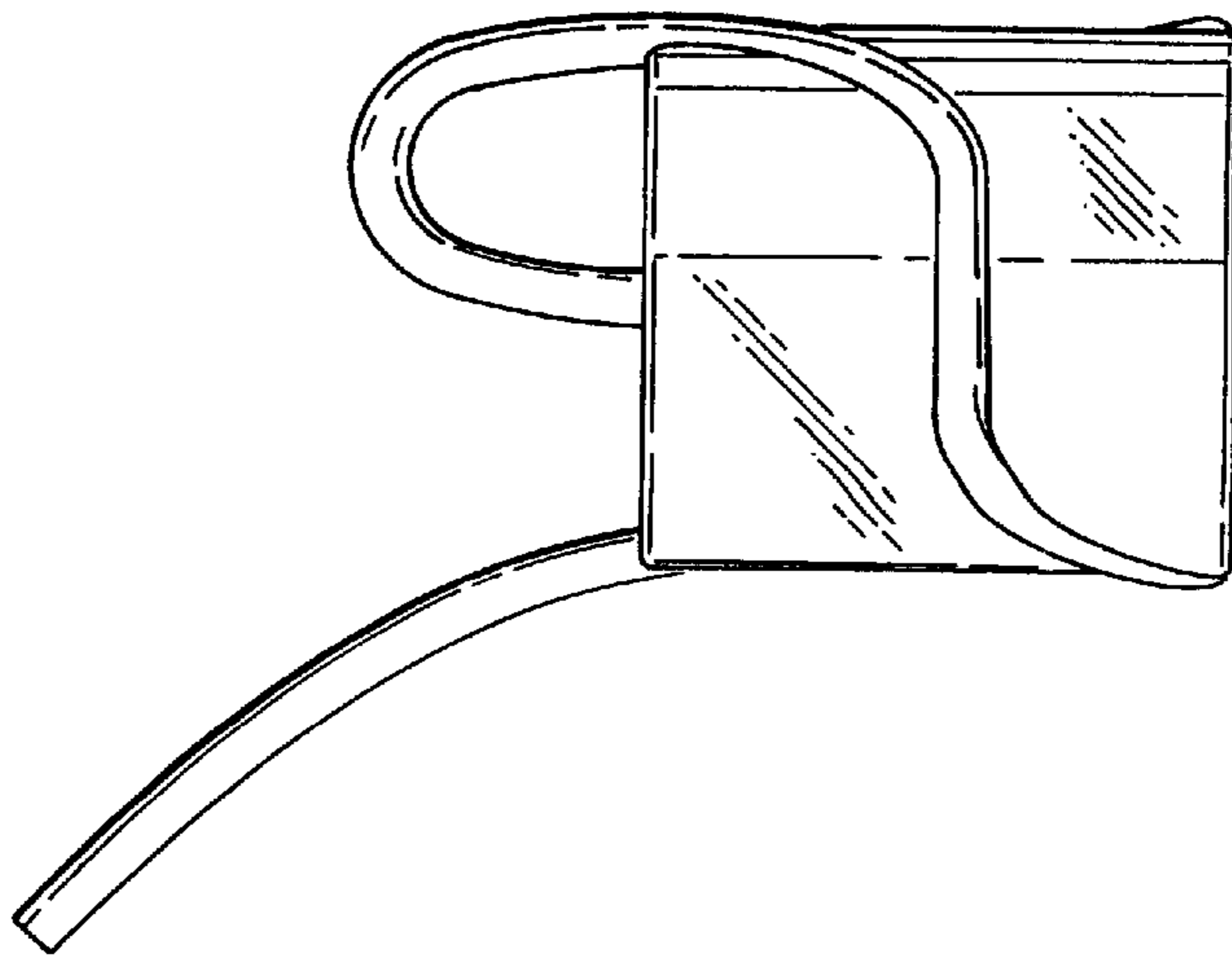


FIG-1

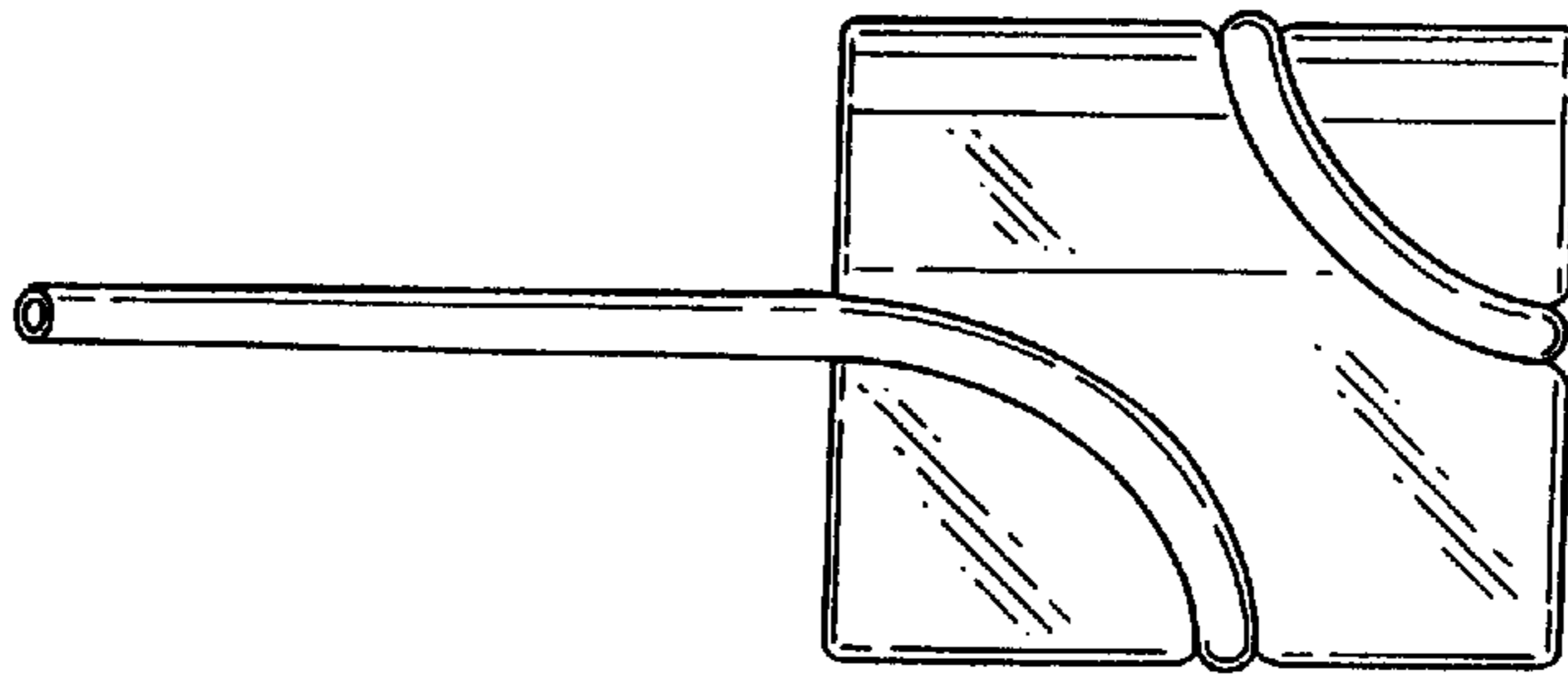


FIG-2

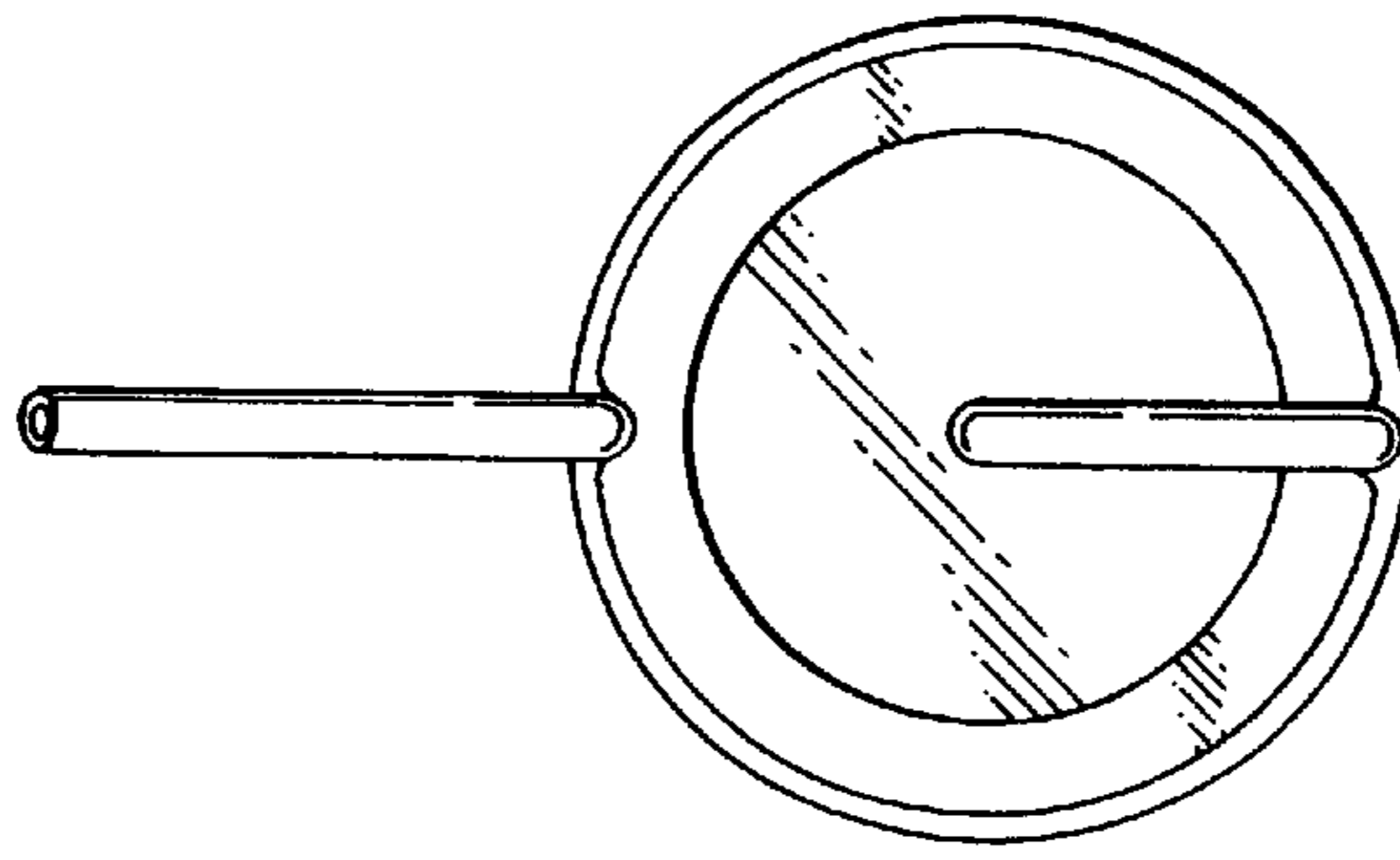


FIG-3

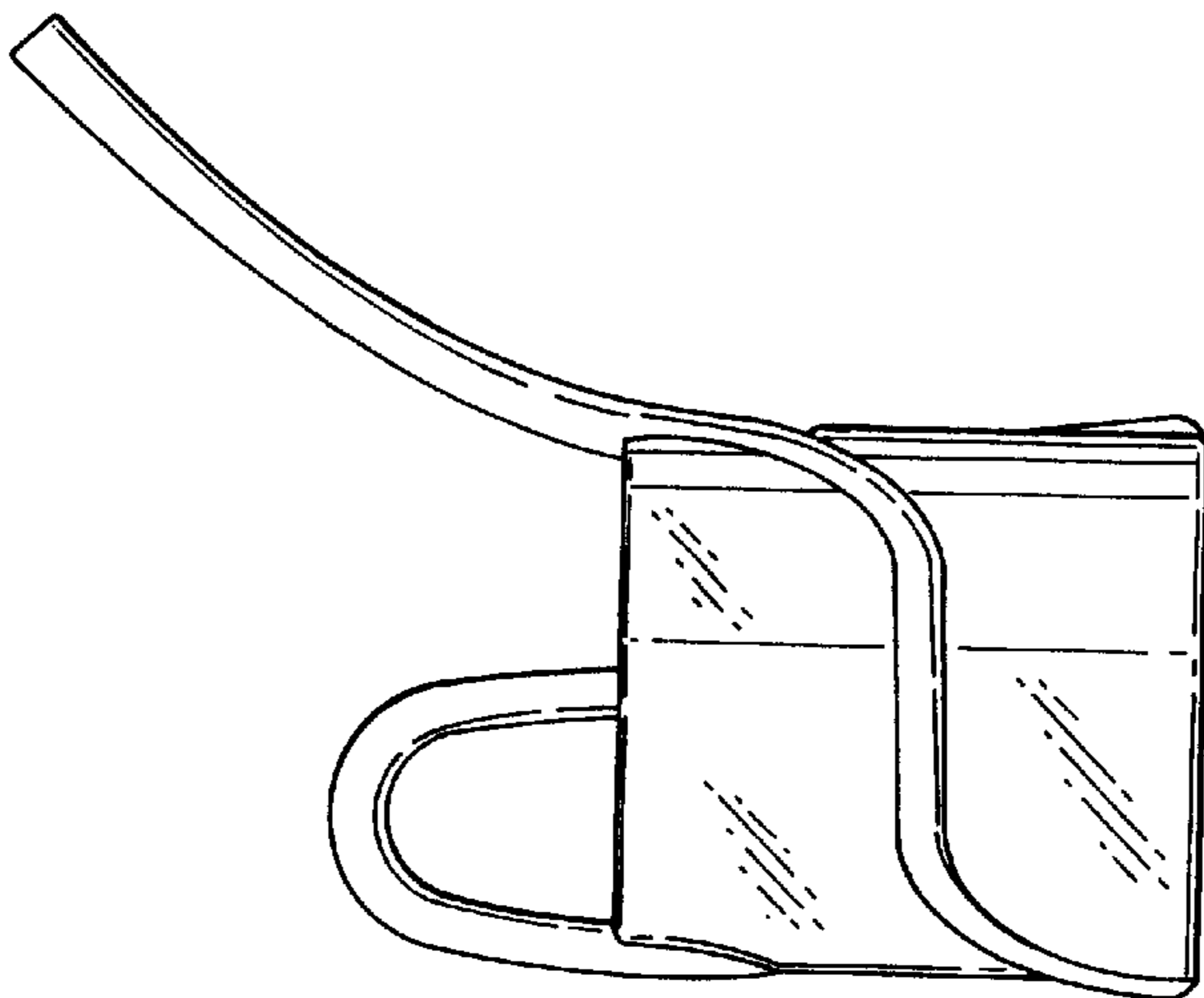


FIG-4

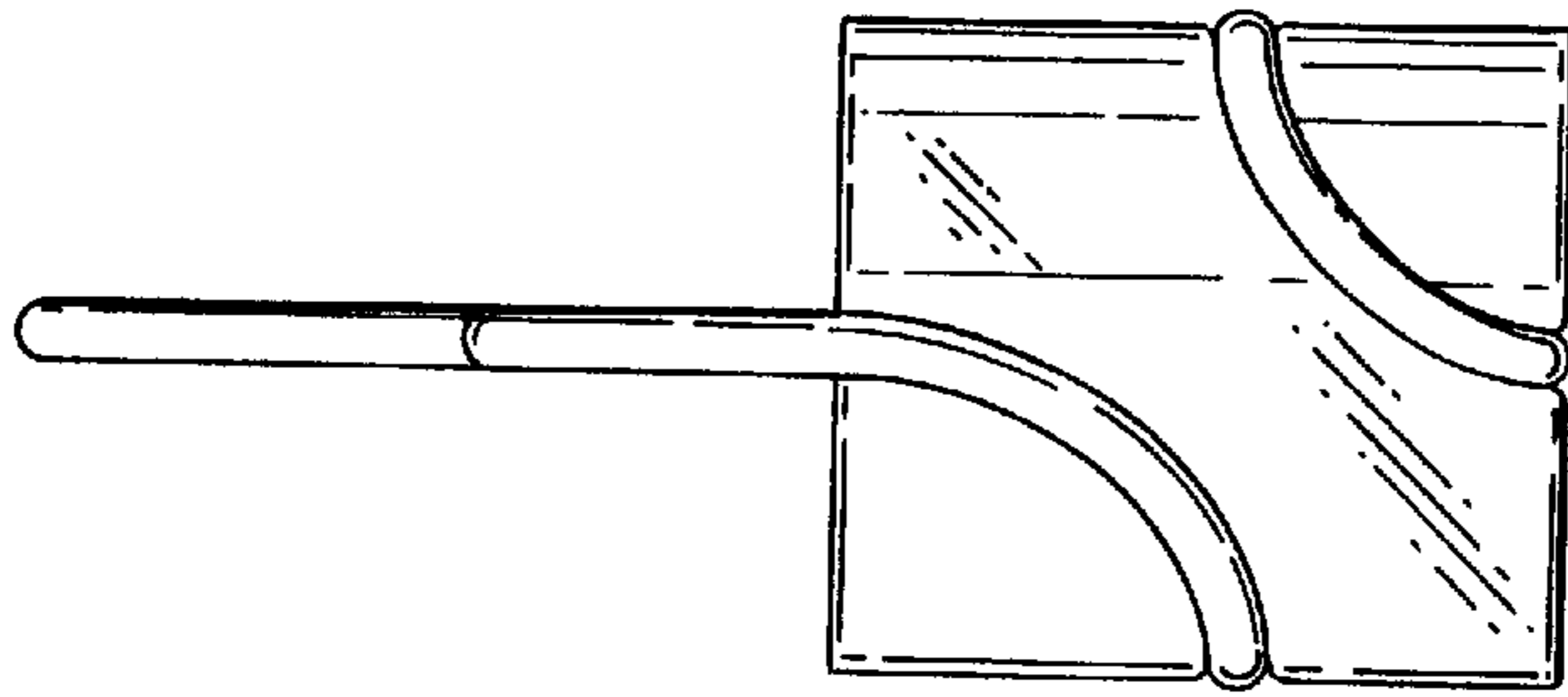


FIG-5

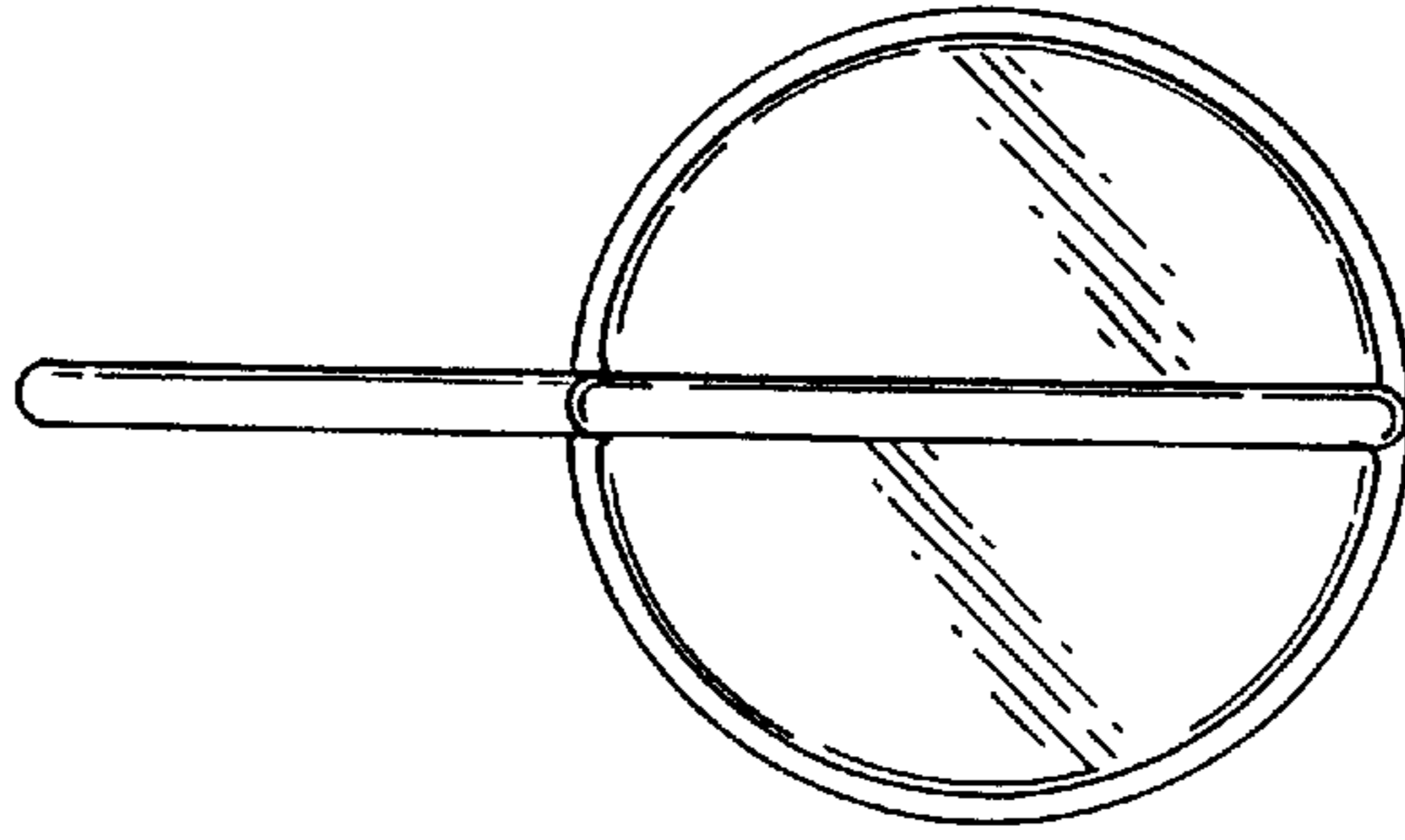


FIG-6