



US00D429600S

United States Patent [19]

[11] **Patent Number: Des. 429,600**

Fuentes

[45] **Date of Patent: ** Aug. 22, 2000**

[54] **DEEP FRYING UTENSIL**

1,888,141 11/1932 Orth 211/41.2
4,117,825 10/1978 Robertson 99/422 X

[76] Inventor: **Angel Fuentes**, 9816 Kennedy Ave., Highland, Ind. 46322

Primary Examiner—Caron D. Veynar
Attorney, Agent, or Firm—Goldstein & Canino

[**] Term: **14 Years**

[57] **CLAIM**

[21] Appl. No.: **29/111,541**

The ornamental design for a deep frying utensil, as shown and described.

[22] Filed: **Sep. 29, 1999**

DESCRIPTION

[51] **LOC (7) Cl.** **07-02**

[52] **U.S. Cl.** **D7/409**

[58] **Field of Search** D7/323, 409, 402;
99/393, 394, 422; 126/1 R, 24, 25 R, 29,
332, 337 R; 211/41.2; D6/465

FIG. 1 is a diagrammatic perspective view of a deep frying utensil.

FIG. 2 is a front elevational view thereof.

FIG. 3 is a rear elevational view thereof.

FIG. 4 is a left side elevational view thereof, the right side elevational view being a mirror image of the left side view.

FIG. 5 is a top plan view of a deep frying utensil; and,

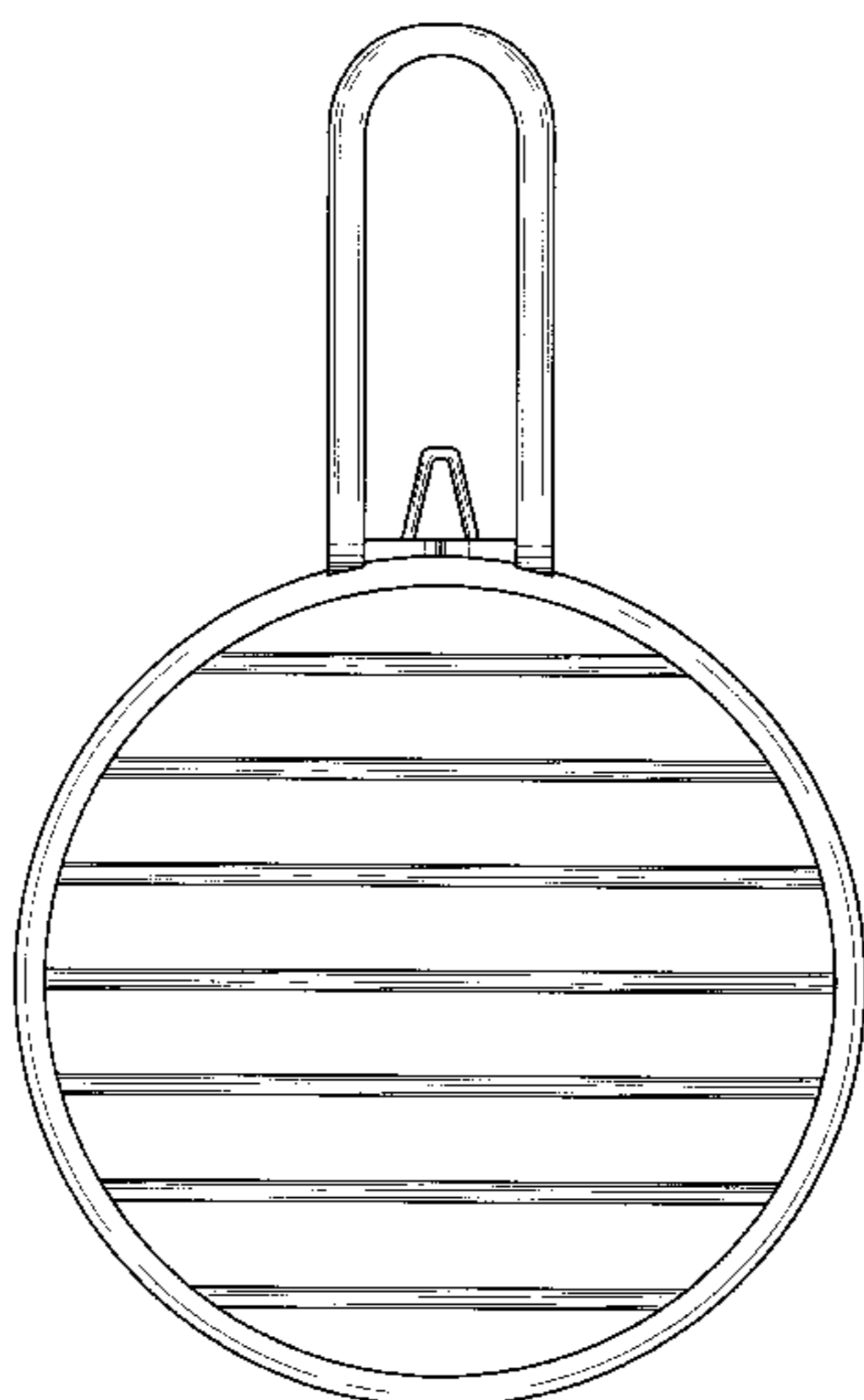
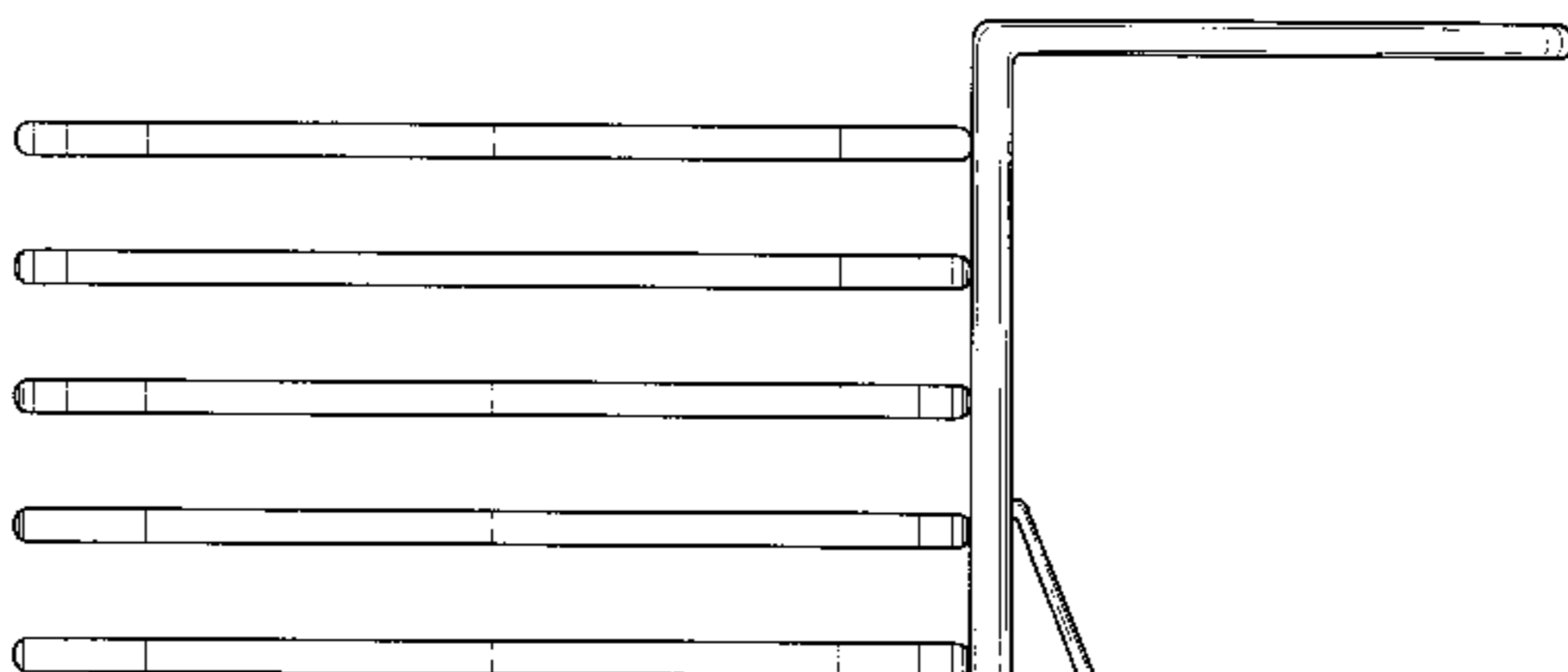
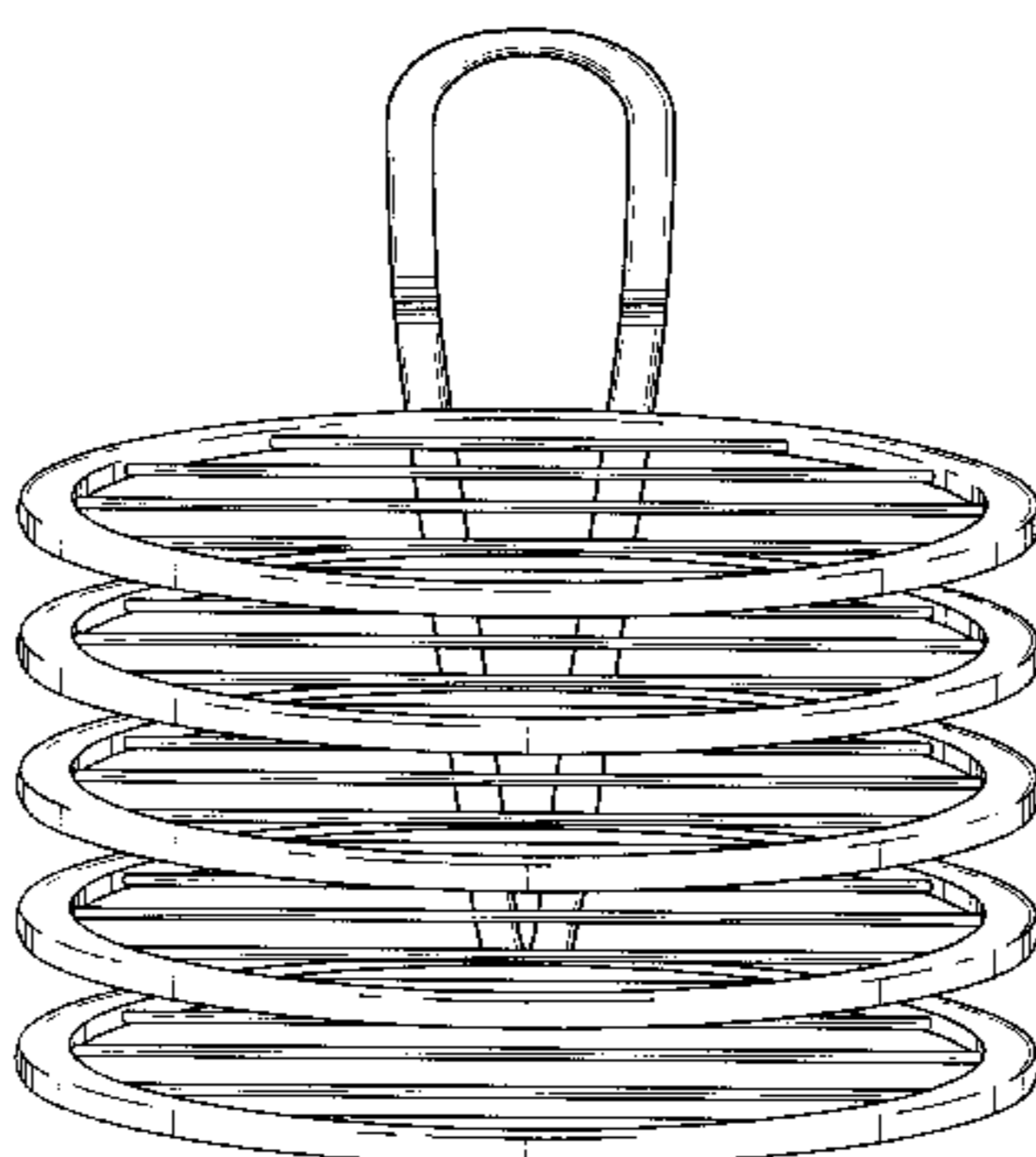
FIG. 6 is a bottom plan view thereof.

[56] **References Cited**

U.S. PATENT DOCUMENTS

- D. 286,128 10/1986 Bowen et al. D7/402
- D. 304,991 12/1989 Roberge D7/409
- D. 364,288 11/1995 Kramer et al. D6/465

1 Claim, 5 Drawing Sheets



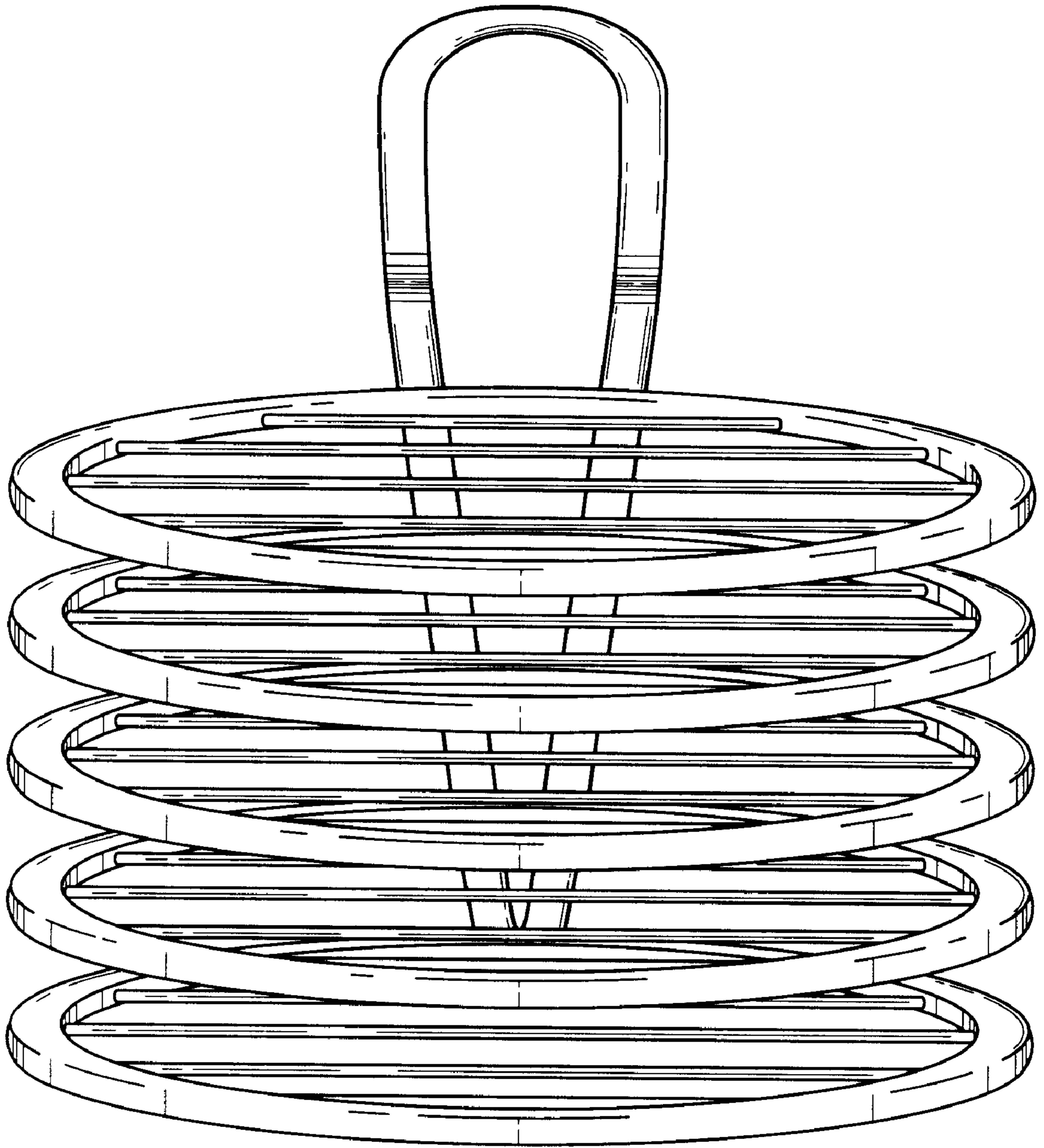


FIG. 1

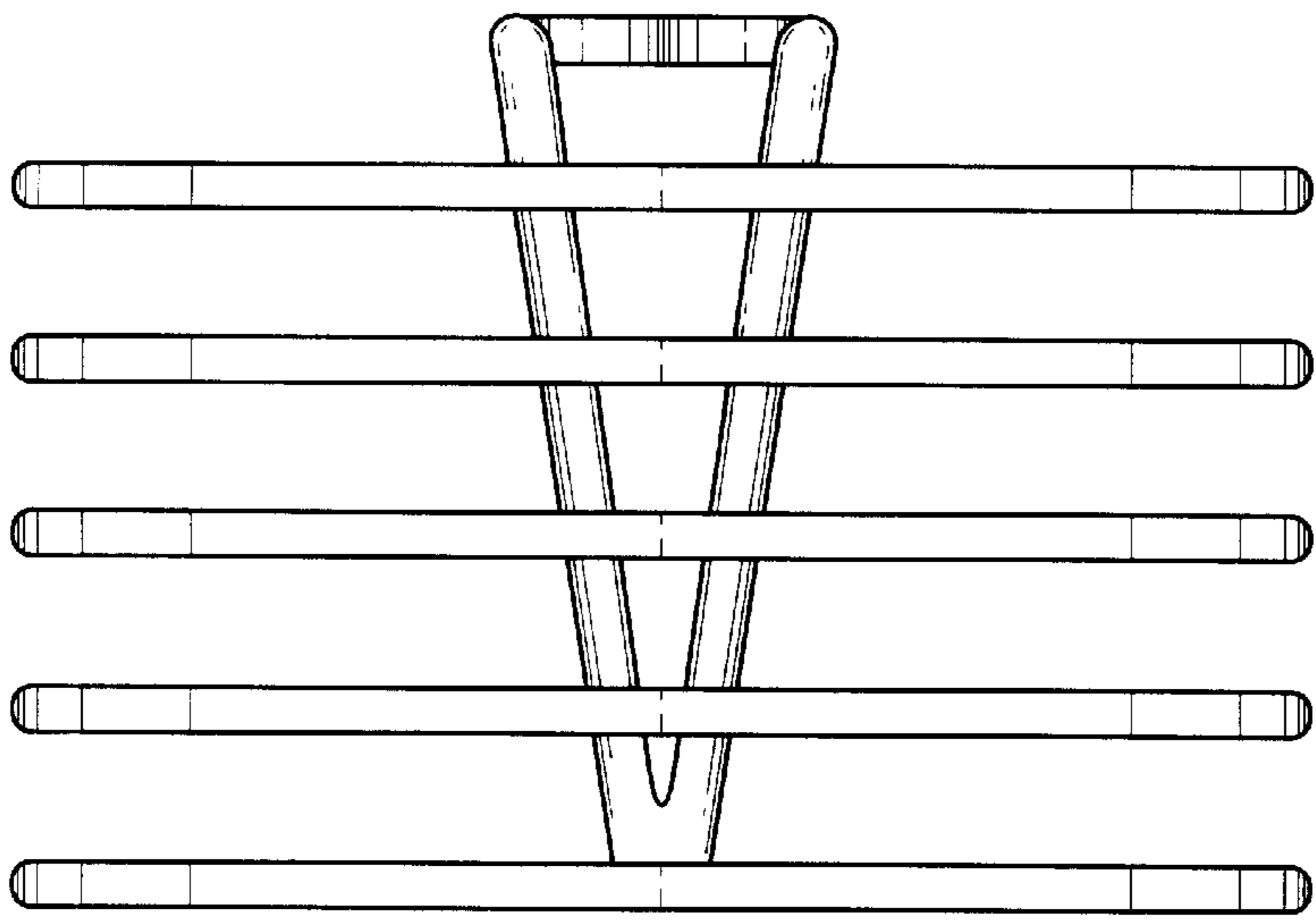


FIG. 2

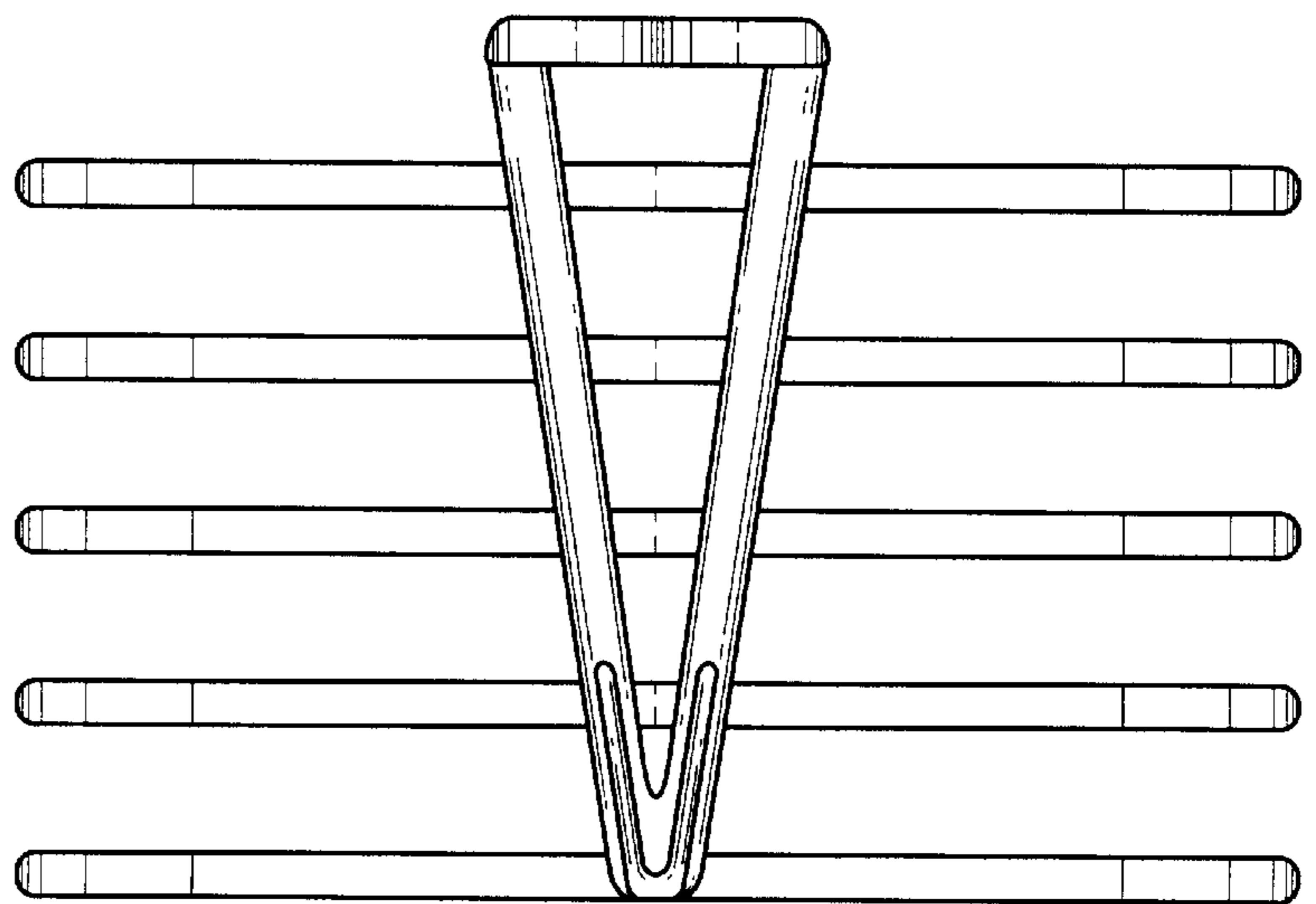


FIG. 3

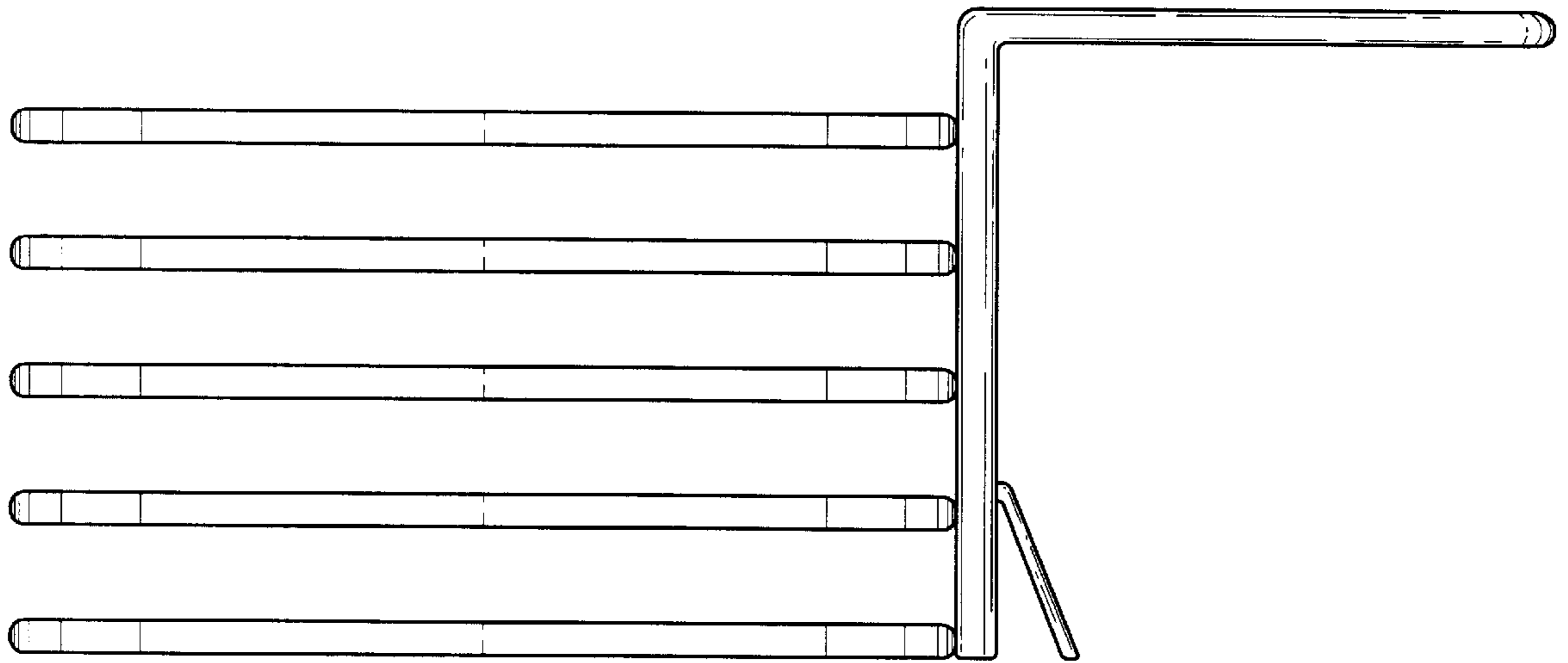


FIG. 4

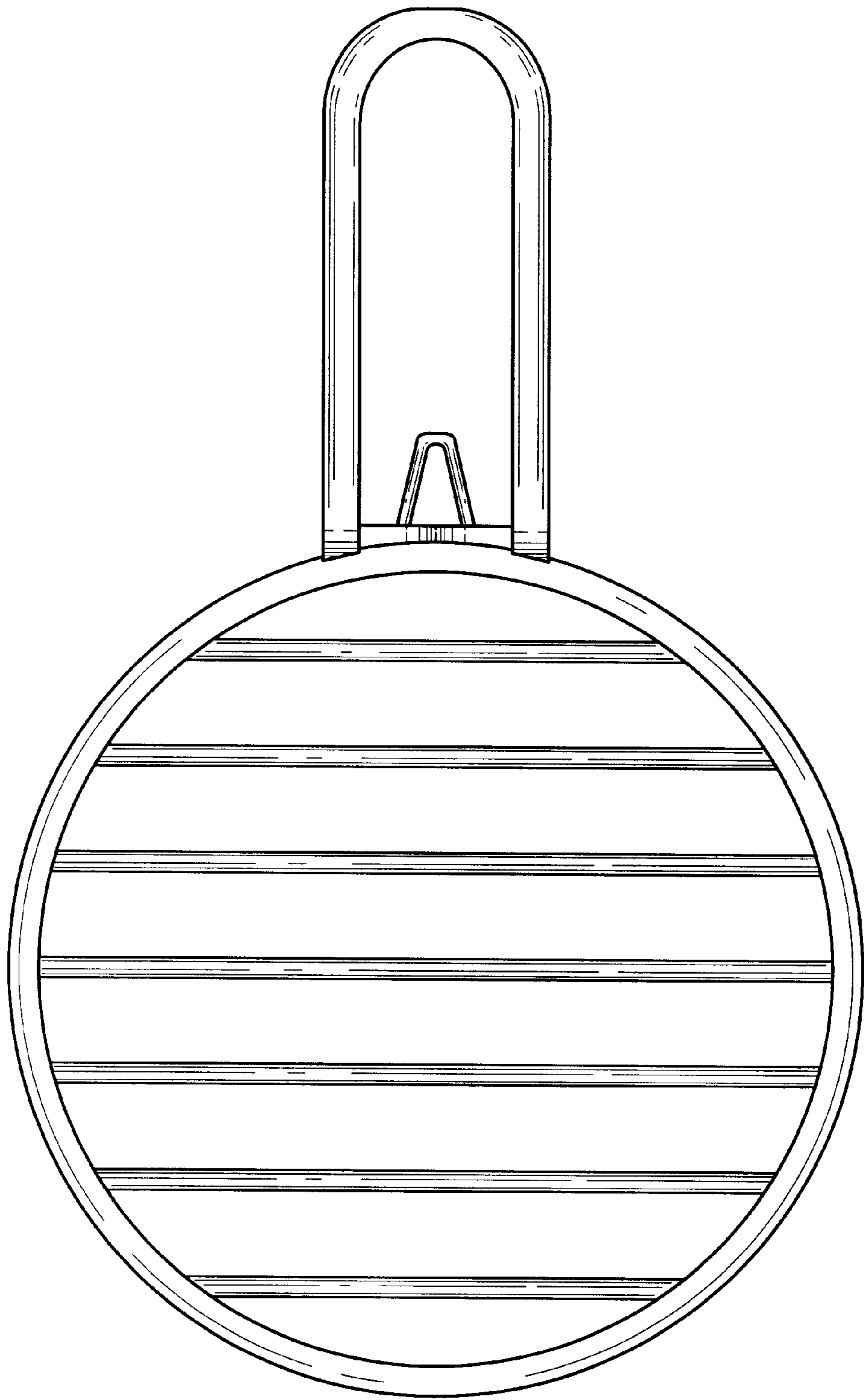


FIG. 5

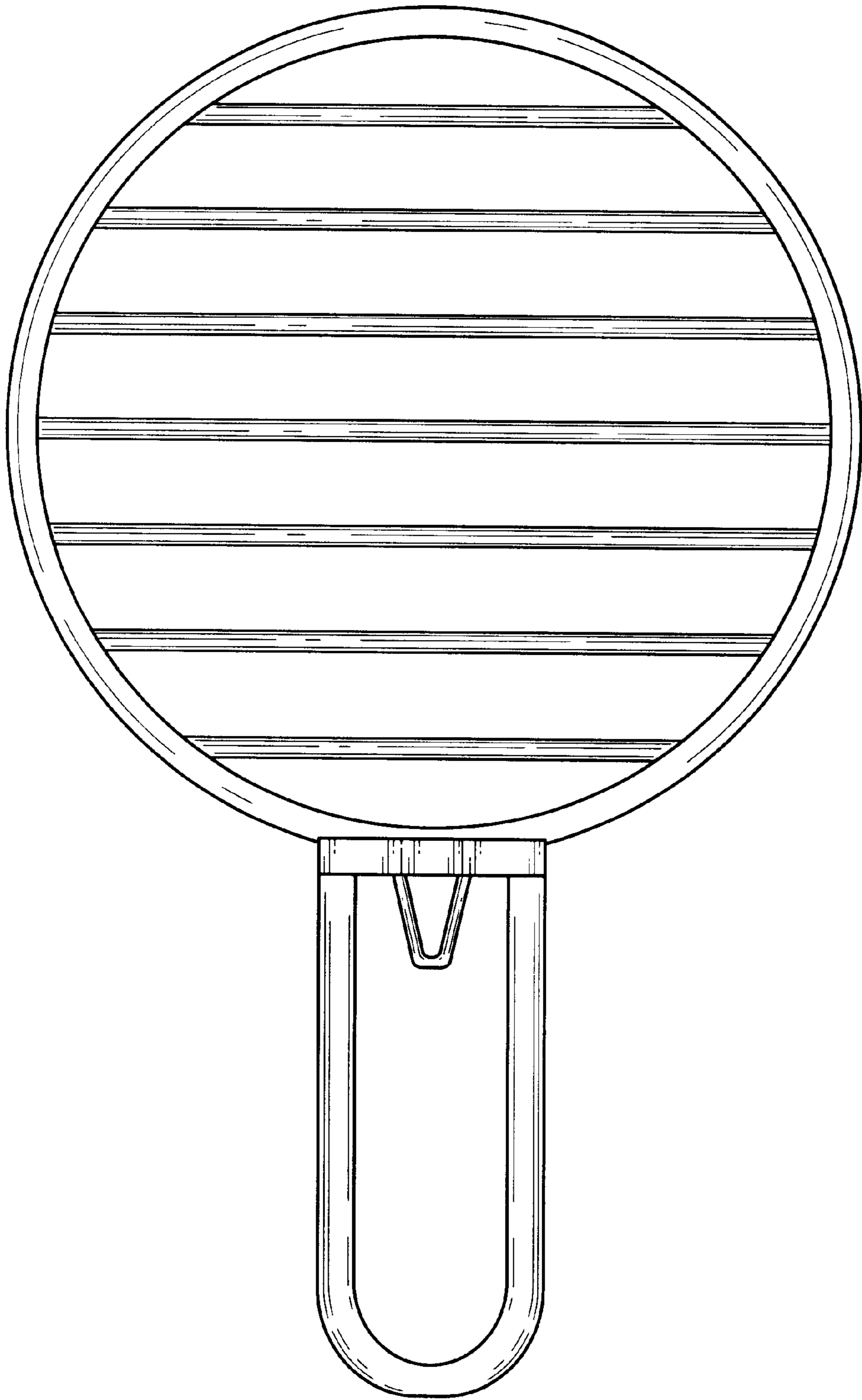


FIG. 6