



US00D429597S

United States Patent [19]

Lee

[11] Patent Number: **Des. 429,597**

[45] Date of Patent: **** Aug. 22, 2000**

[54] **ICE CRUSHER**

[76] Inventor: **Ming-Hsiang Lee**, No. 4, Lane 263, Sec. 2, Chien-Kong Rd., Tainan City, Taiwan

[**] Term: **14 Years**

[21] Appl. No.: **29/109,792**

[22] Filed: **Aug. 23, 1999**

[51] **LOC (7) Cl.** **31-00**

[52] **U.S. Cl.** **D7/374**

[58] **Field of Search** D7/309, 310, 372, D7/373, 374, 384, 665, 679; 99/286, 304, 306, 586; 241/100, 249; 248/312.1

[56] **References Cited**

U.S. PATENT DOCUMENTS

- D. 113,015 1/1939 Reinecke D7/374
- D. 113,016 1/1939 Reinecke D7/374

- D. 140,454 2/1945 Talge D7/374
- D. 140,455 2/1945 Talge D7/374
- D. 359,423 6/1995 Joergensen D7/679

Primary Examiner—Robert M. Spear
Attorney, Agent, or Firm—Fish & Richardson P.C.

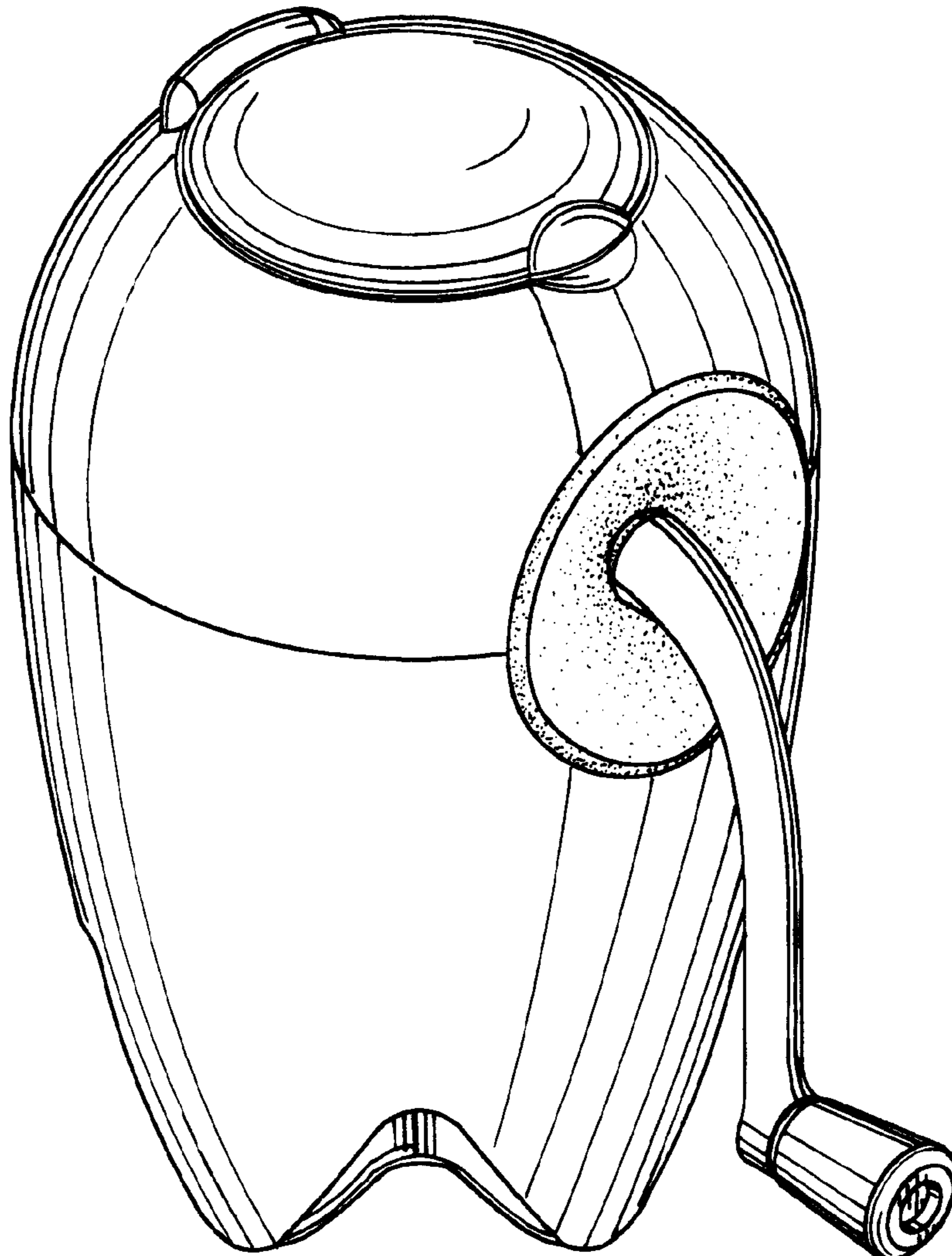
[57] **CLAIM**

The ornamental design for ice crusher, as shown and described.

DESCRIPTION

FIG. 1 is a perspective view of ice crusher showing my new design;
FIG. 2 is a front elevational view thereof;
FIG. 3 is a rear elevational view thereof;
FIG. 4 is a left side elevational view thereof;
FIG. 5 is a right side elevational view thereof;
FIG. 6 is a top plan view thereof; and,
FIG. 7 is a bottom plan view thereof.

1 Claim, 4 Drawing Sheets



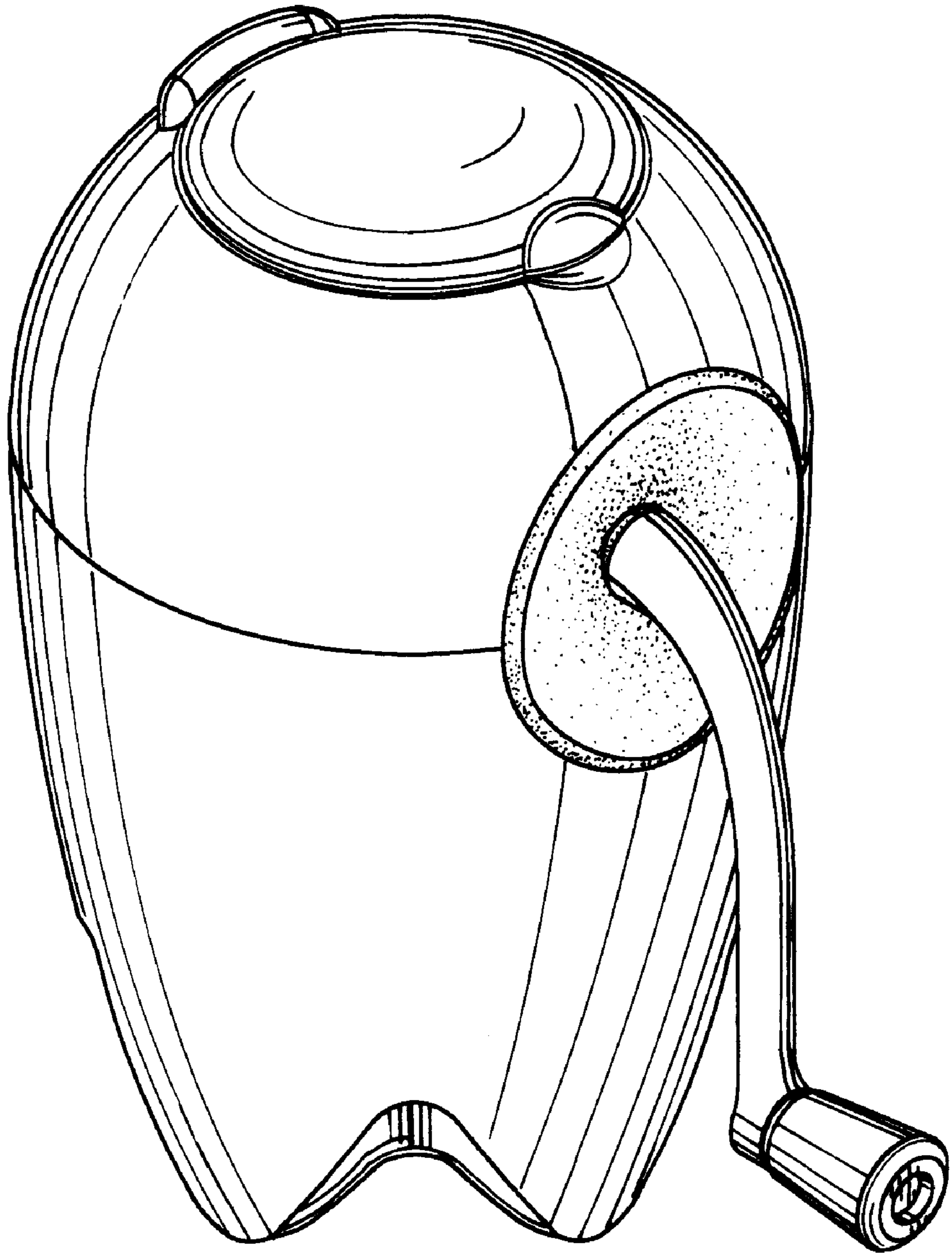


FIG. 1

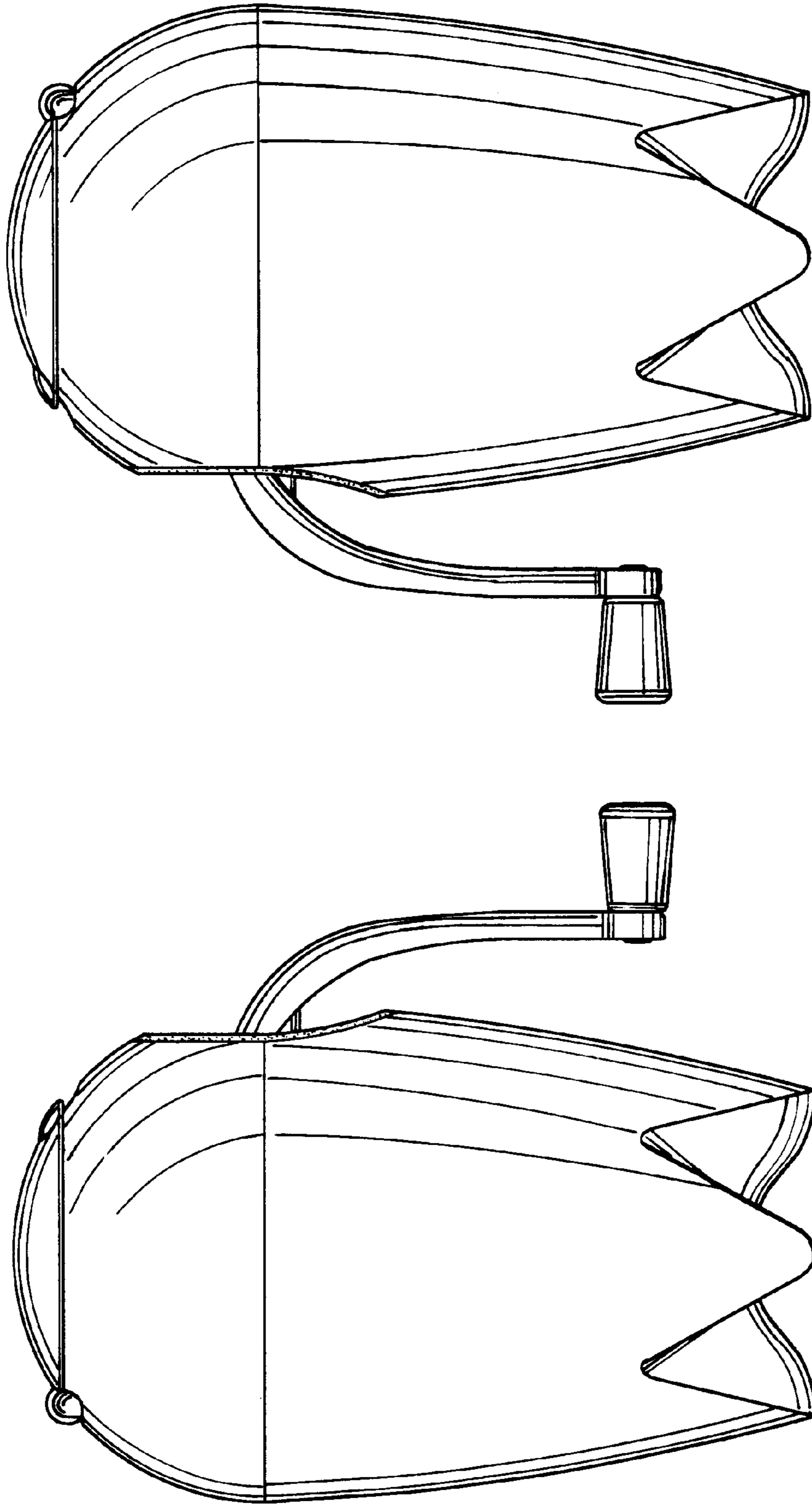


FIG. 3

FIG. 2

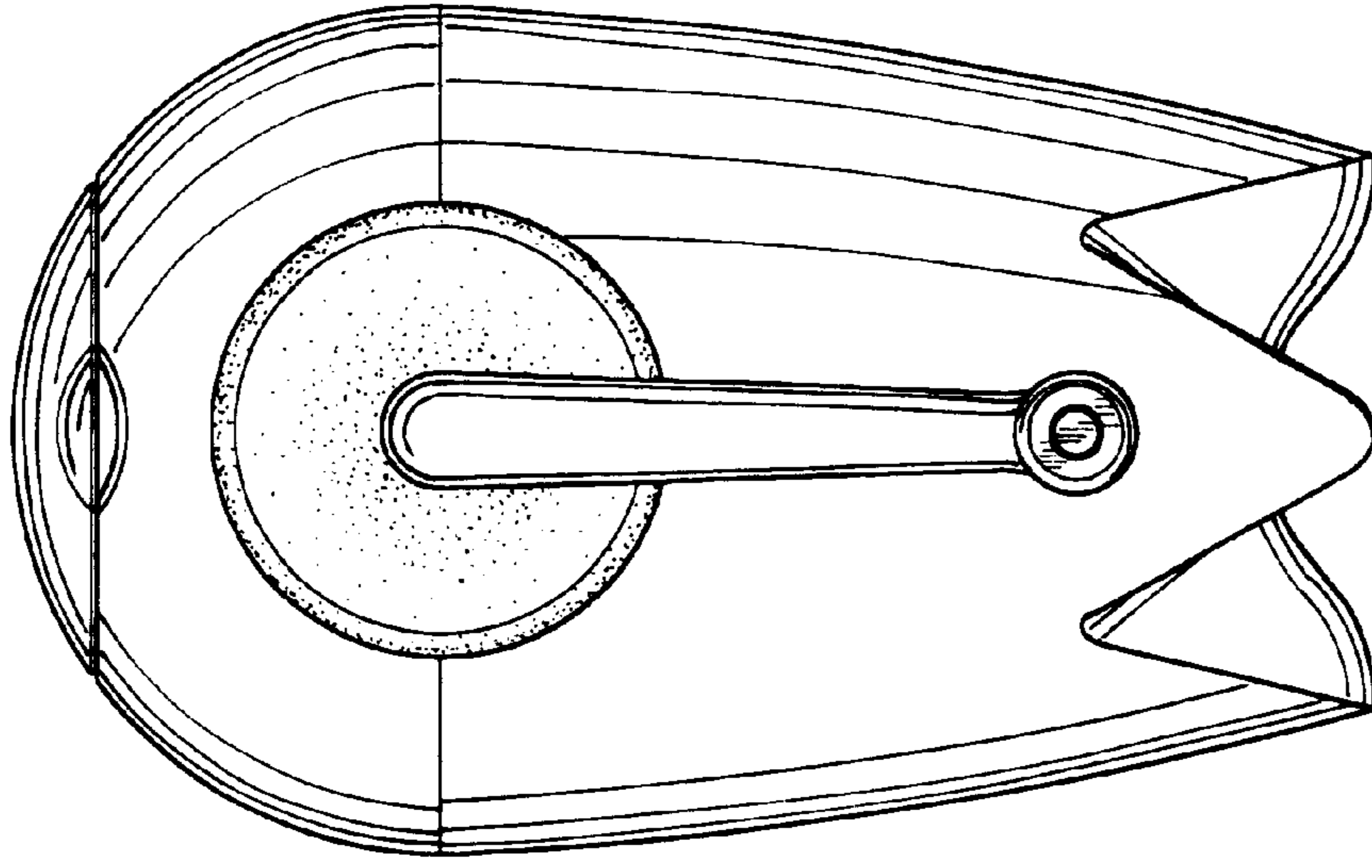


FIG. 4

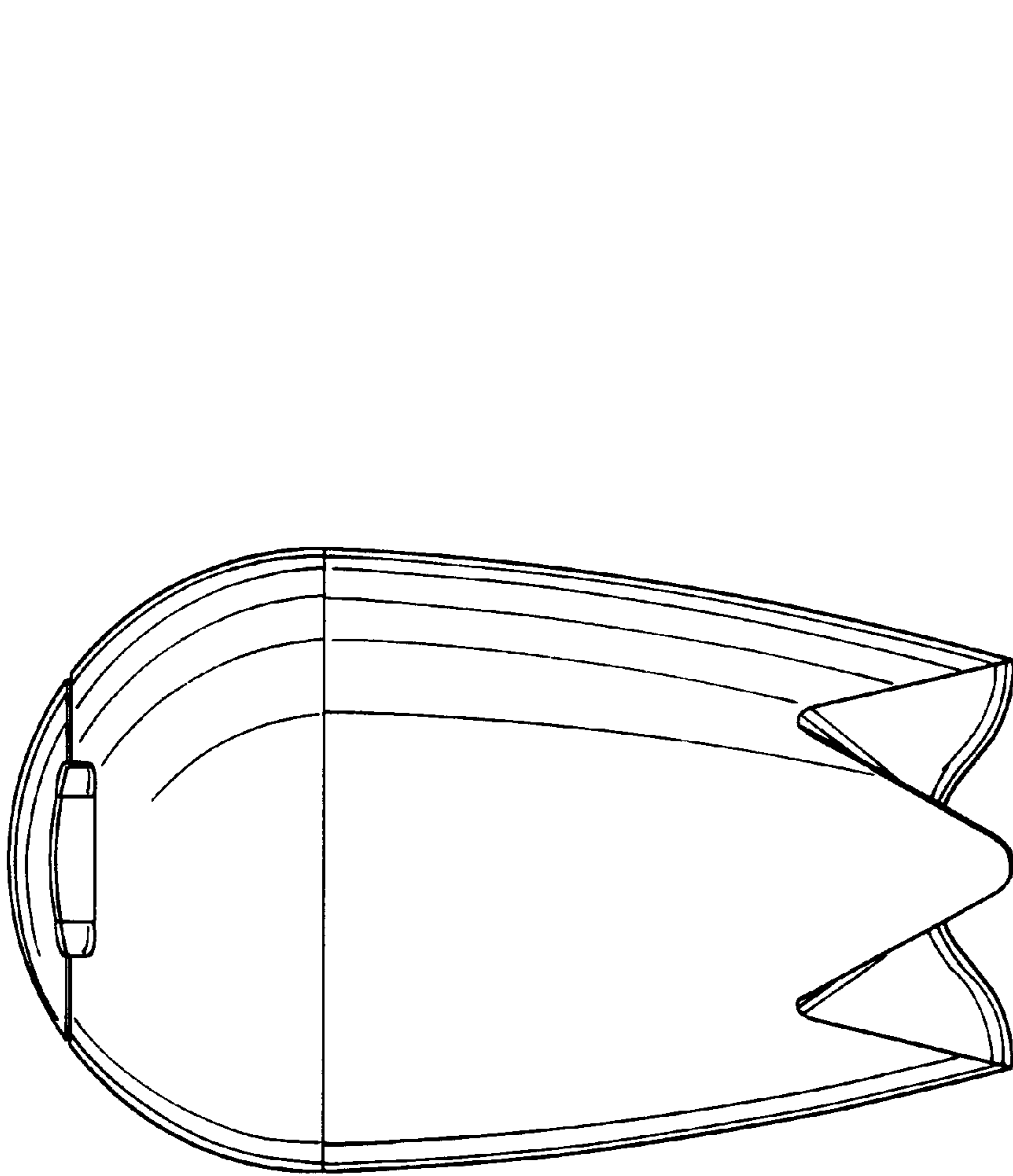


FIG. 5

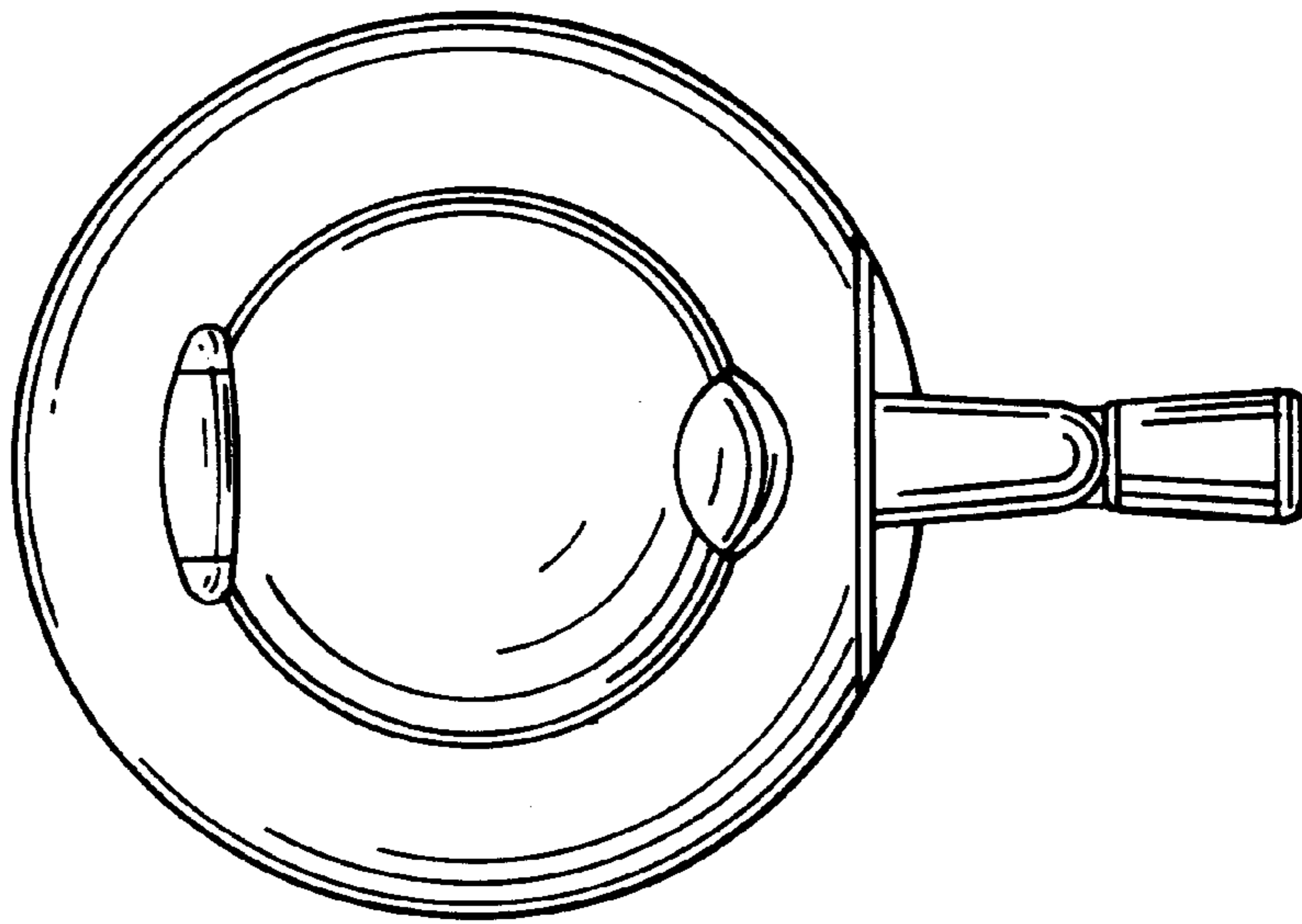


FIG. 6

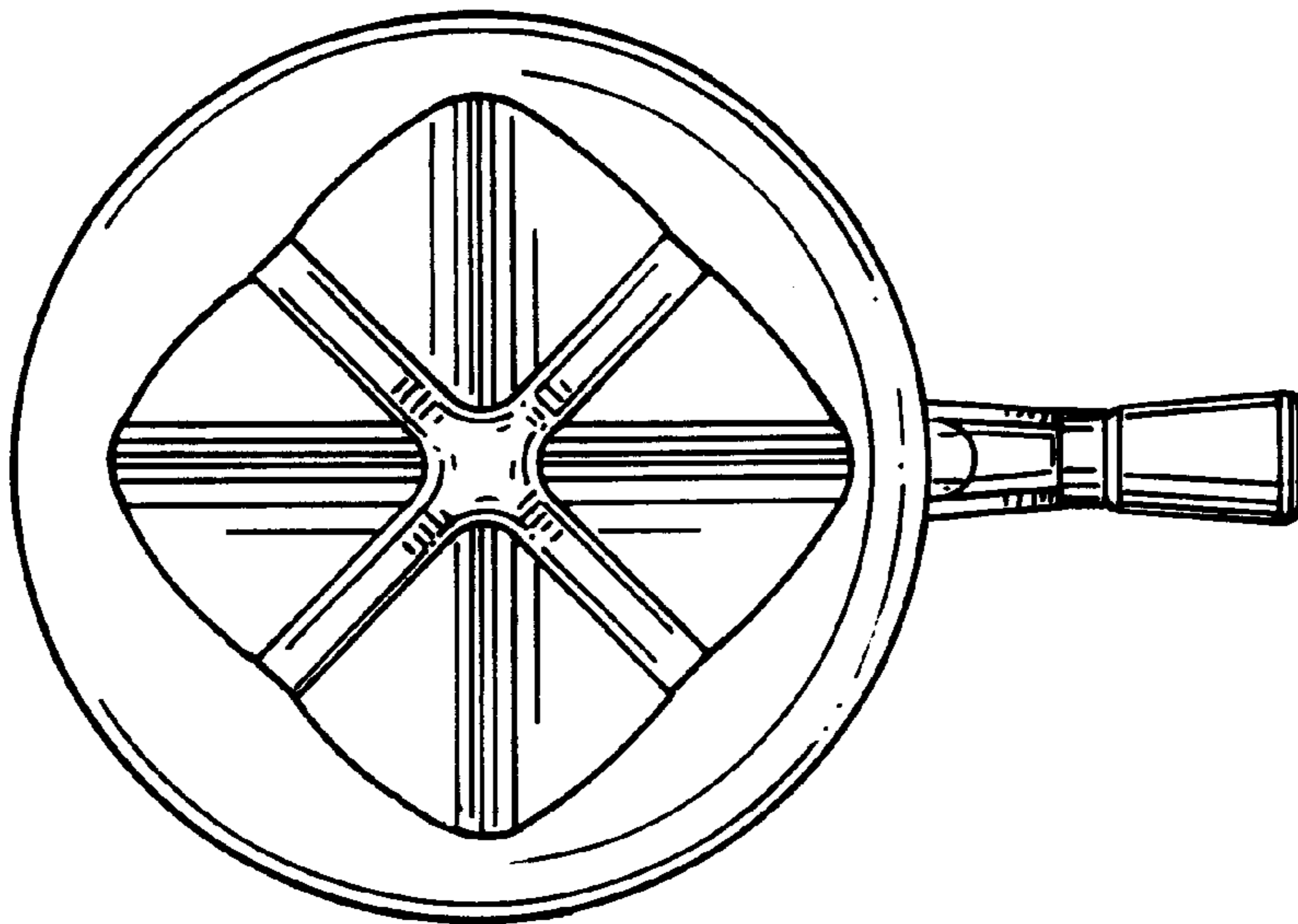


FIG. 7