



US00D429596S

# United States Patent [19]

[11] Patent Number: Des. 429,596

Hlava et al.

[45] Date of Patent: \*\* Aug. 22, 2000

## [54] SLOW COOKER

## OTHER PUBLICATIONS

- [75] Inventors: **Lorens G. Hlava**, Clinton, Mo.; **Gary A. Klein**, Overland Park, Kans.; **Lori D. Baker**, Pleasant Hill, Mo.
- [73] Assignee: **The Rival Company**, Kansas City, Mo.
- [\*\*] Term: **14 Years**
- [21] Appl. No.: **29/099,269**
- [22] Filed: **Nov. 21, 1997**

- West Bend Electric Steamer/Rice Cooker advertisement; believed published in 1992.
- Rival Automatic Steamer and Rice Cooker operating manual and cookbook; published in 1985, pp. 1-3.
- House & Home Electric Steamer & Rice Cooker packaging exterior.
- Nesco Steam Cuisine operating manual and cookbook; published in 1991, pp. 1-4.
- Singer Lo-Cal Cooker operating manual and cookbook; published in 1992, pp. 1-5, and 26.
- West Bend Electric Steamer/Rice Cooker operating manual and cookbook; published in Dec. 1992, pp. 1, 3-5.
- Black & Decker Handy Steamer operating manual and cookbook; published in 1991, pp. 1-7.
- Moulinex Steam Cooker operating manual and warranty booklet; believed published in 1993, pp. 1-5.
- Hamilton Beach Vegetable Steamer/Rice Cooker operating manual; published in Feb. 1993, pp. 1, 6.
- Steam Cuisine operating manual and cookbook.
- Contempra Table Toppers manual and cookbook.
- Aroma Rice Cooker/Steamer newspaper article.
- Hitachi, ChimeOmatic Models RD5083 & RD6103 specifications.

### Related U.S. Application Data

- [63] Continuation of application No. 29/068,020, Mar. 17, 1997, abandoned.
- [51] **LOC (7) Cl.** ..... **07-02**
- [52] **U.S. Cl.** ..... **D7/360**
- [58] **Field of Search** ..... D7/323, 354-361, D7/337; 99/324, 325, 331, 403, 410-413; 219/429, 432, 438, 440

### [56] References Cited

#### U.S. PATENT DOCUMENTS

|            |        |             |       |         |
|------------|--------|-------------|-------|---------|
| D. 113,632 | 3/1939 | Howlett     | ..... | D7/360  |
| D. 115,168 | 6/1939 | Hadley      | ..... | D7/360  |
| D. 230,935 | 3/1974 | Lloveras    | ..... | D7/360  |
| 244,180    | 7/1881 | Campbell    | ..... | 126/369 |
| 263,049    | 8/1882 | Krehbiel    | ..... | 126/369 |
| D. 279,956 | 8/1985 | Eyck et al. | ..... | D7/354  |
| 282,587    | 8/1883 | Swink       | ..... | 126/369 |

(List continued on next page.)

#### FOREIGN PATENT DOCUMENTS

|         |         |                  |
|---------|---------|------------------|
| 35389   | 9/1887  | Canada .         |
| 1082456 | 12/1954 | France .         |
| 270722  | 9/1912  | Germany .        |
| 271879  | 11/1912 | Germany .        |
| 75371   | 8/1917  | Germany .        |
| 2329    | 2/1909  | United Kingdom . |
| 5969    | 7/1912  | United Kingdom . |
| 7612    | 11/1913 | United Kingdom . |
| 209721  | 11/1924 | United Kingdom . |

(List continued on next page.)

*Primary Examiner*—Caron D. Veynar  
*Attorney, Agent, or Firm*—Brinks, Hofer, Gilson & Lione; Francis E. Marino

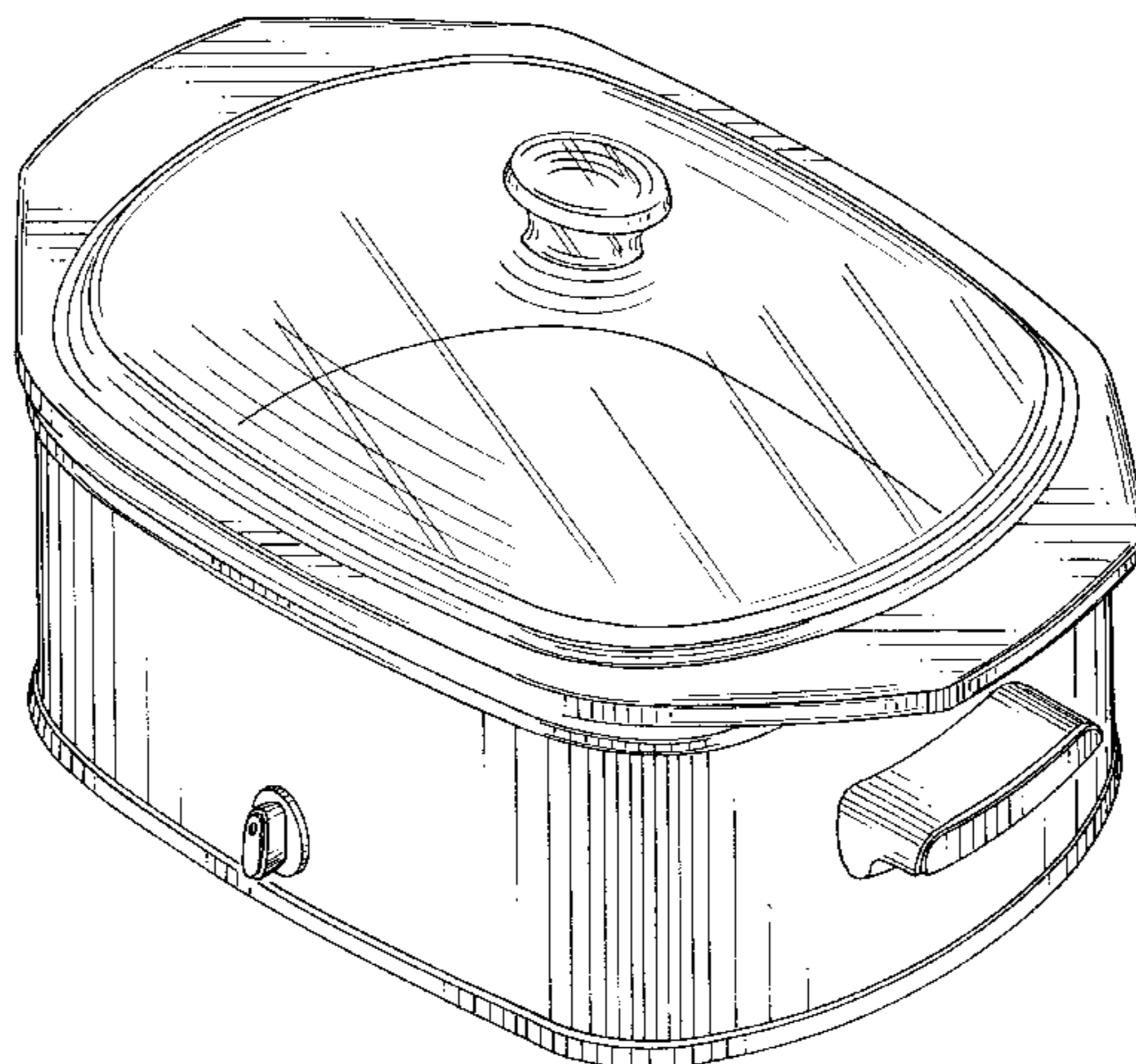
### [57] CLAIM

The ornamental design for a slow cooker, as shown and described.

### DESCRIPTION

FIG. 1 is a perspective view of a slow cooker showing our new design;  
 FIG. 2 is a front view thereof;  
 FIG. 3 is a bottom view thereof;  
 FIG. 4 is a top view thereof;  
 FIG. 5 is a rear view thereof;  
 FIG. 6 is a right side view thereof; and,  
 FIG. 7 is a left side view thereof.

1 Claim, 4 Drawing Sheets



U.S. PATENT DOCUMENTS

|            |         |                        |           |           |         |                         |         |
|------------|---------|------------------------|-----------|-----------|---------|-------------------------|---------|
| D. 347,356 | 5/1994  | Yim .....              | D7/354    | 4,045,653 | 8/1977  | Soper et al. ....       | 219/438 |
| 354,240    | 12/1886 | Roberts .....          | 126/369   | 4,052,590 | 10/1977 | Anderl et al. ....      | 219/438 |
| D. 363,635 | 10/1995 | Cashin et al. ....     | D7/354    | 4,115,918 | 9/1978  | Anderl et al. ....      | 29/611  |
| D. 366,592 | 1/1996  | Cesaroni et al. ....   | D7/360    | 4,148,250 | 4/1979  | Miki et al. ....        | 99/403  |
| 366,960    | 7/1887  | Johnson et al. ....    | 99/444    | 4,197,791 | 4/1980  | Vieceli et al. ....     | 99/339  |
| D. 376,067 | 12/1996 | Littmann .....         | D7/354 X  | 4,452,132 | 6/1984  | Miller et al. ....      | 99/483  |
| 560,336    | 5/1896  | Willson .....          | 126/369   | 4,509,412 | 4/1985  | Whittenburg et al. .... | 99/331  |
| 607,759    | 7/1898  | Mathy .....            | 126/376   | 4,605,840 | 8/1986  | Koopman .....           | 219/401 |
| 636,528    | 11/1899 | Henderson .....        | 126/369   | 4,650,968 | 3/1987  | Williams .....          | 219/401 |
| 776,926    | 12/1904 | Misener .....          | 126/369   | 4,920,251 | 4/1990  | Whitenack et al. ....   | 219/401 |
| 780,851    | 1/1905  | Wilson .....           | 126/369   | 5,097,753 | 3/1992  | Naft .....              | 99/341  |
| 869,903    | 11/1907 | Harloe .....           | 126/369   |           |         |                         |         |
| 907,154    | 12/1908 | Lewis et al. ....      | 126/376   |           |         |                         |         |
| 925,781    | 6/1909  | Mathy .....            | 220/4.21  |           |         |                         |         |
| 926,028    | 6/1909  | Smith .....            | 126/369   |           |         |                         |         |
| 1,606,395  | 11/1926 | Hensel et al. ....     | 215/298   |           |         |                         |         |
| 2,089,411  | 8/1937  | Olsson et al. ....     | 126/369   |           |         |                         |         |
| 2,131,663  | 9/1938  | Hughes .....           | 220/772   |           |         |                         |         |
| 2,154,263  | 1/1939  | Huntzinger et al. .... | 126/369   |           |         |                         |         |
| 2,554,412  | 5/1951  | Kavanagh .....         | 99/425    |           |         |                         |         |
| 2,622,591  | 12/1952 | Bramberry .....        | 126/381   |           |         |                         |         |
| 2,715,898  | 8/1955  | Michaelis et al. ....  | 126/273 R |           |         |                         |         |
| 2,718,842  | 9/1955  | Klemm .....            | 99/351    |           |         |                         |         |
| 2,761,375  | 9/1956  | Jepson .....           | 99/344    |           |         |                         |         |
| 2,947,304  | 8/1960  | Ashley .....           | 126/381   |           |         |                         |         |
| 3,078,783  | 2/1963  | Lee .....              | 99/352    |           |         |                         |         |
| 3,147,689  | 9/1964  | Sakamoto et al. ....   | 99/331    |           |         |                         |         |
| 3,275,801  | 9/1966  | Churchill .....        | 219/468.2 |           |         |                         |         |
| 3,485,163  | 12/1969 | Arita .....            | 99/413    |           |         |                         |         |
| 3,659,584  | 5/1972  | Doyle et al. ....      | 126/369   |           |         |                         |         |
| 3,869,595  | 3/1975  | Collins et al. ....    | 219/387   |           |         |                         |         |

OTHER PUBLICATIONS

Hitachi Models RD3031, RD405F, RZ1540L8 & RZ1840L/  
10 specifications.

Rival® Crock-Grill® Sales Brochure; Oct., 1995.

Rival® Automatic Steamer/Rice Cooker Sales Brochure;  
Oct., 1995.

Rival® Crock-Pot® Slow Cooker Sales Brochure; Oct.,  
1995.

Rival® Crock-Pot® Little Dipper Model 3204 SW Sales  
Brochure; Oct., 1995.

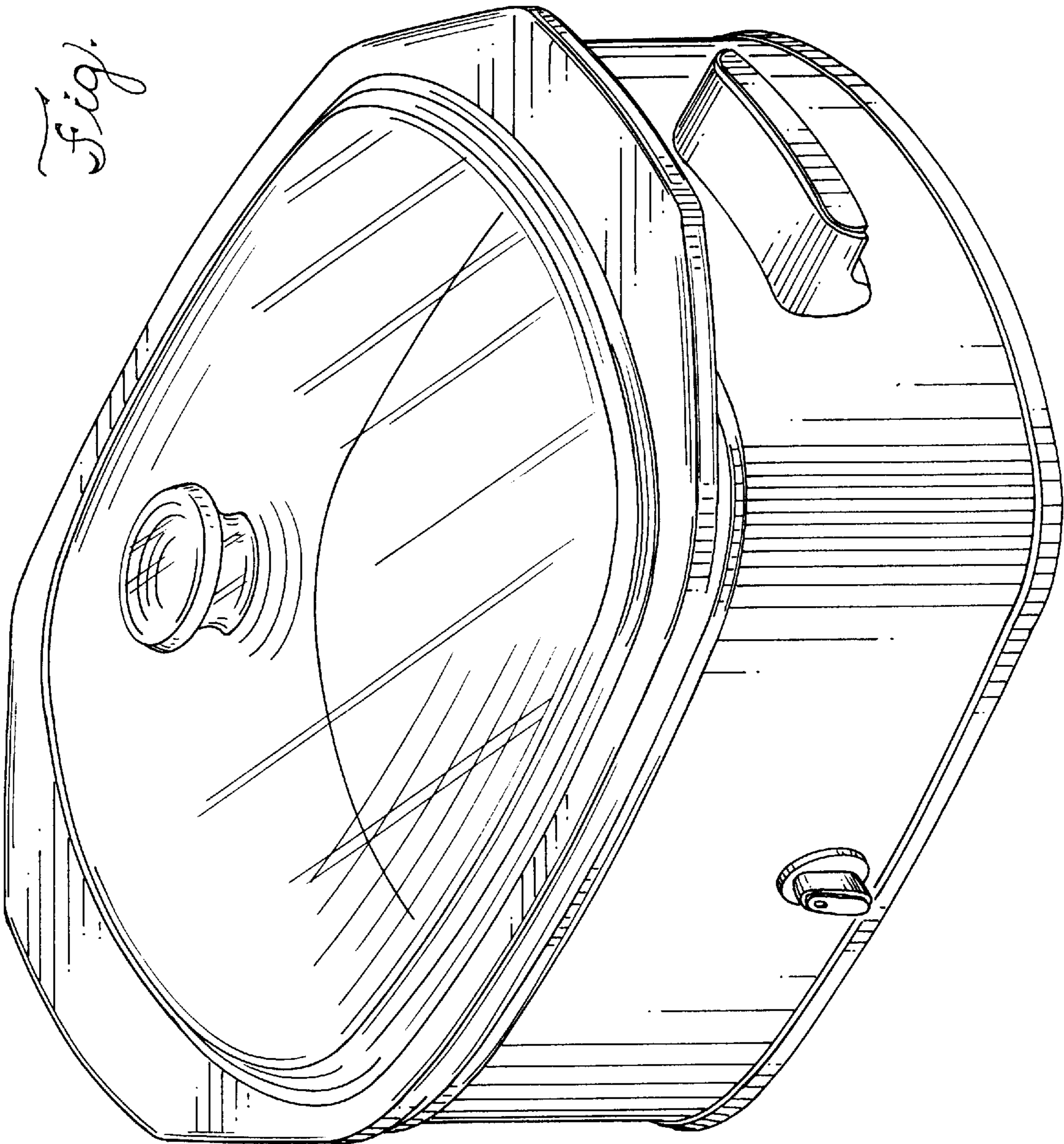
Rival® Crock-Pot® Little Dipper Model 3204D Sales Bro-  
chure; Oct., 1995.

Rival® 8-oz Potpourri Crock® Model 3206 XX Sales  
Brochure; Oct., 1995.

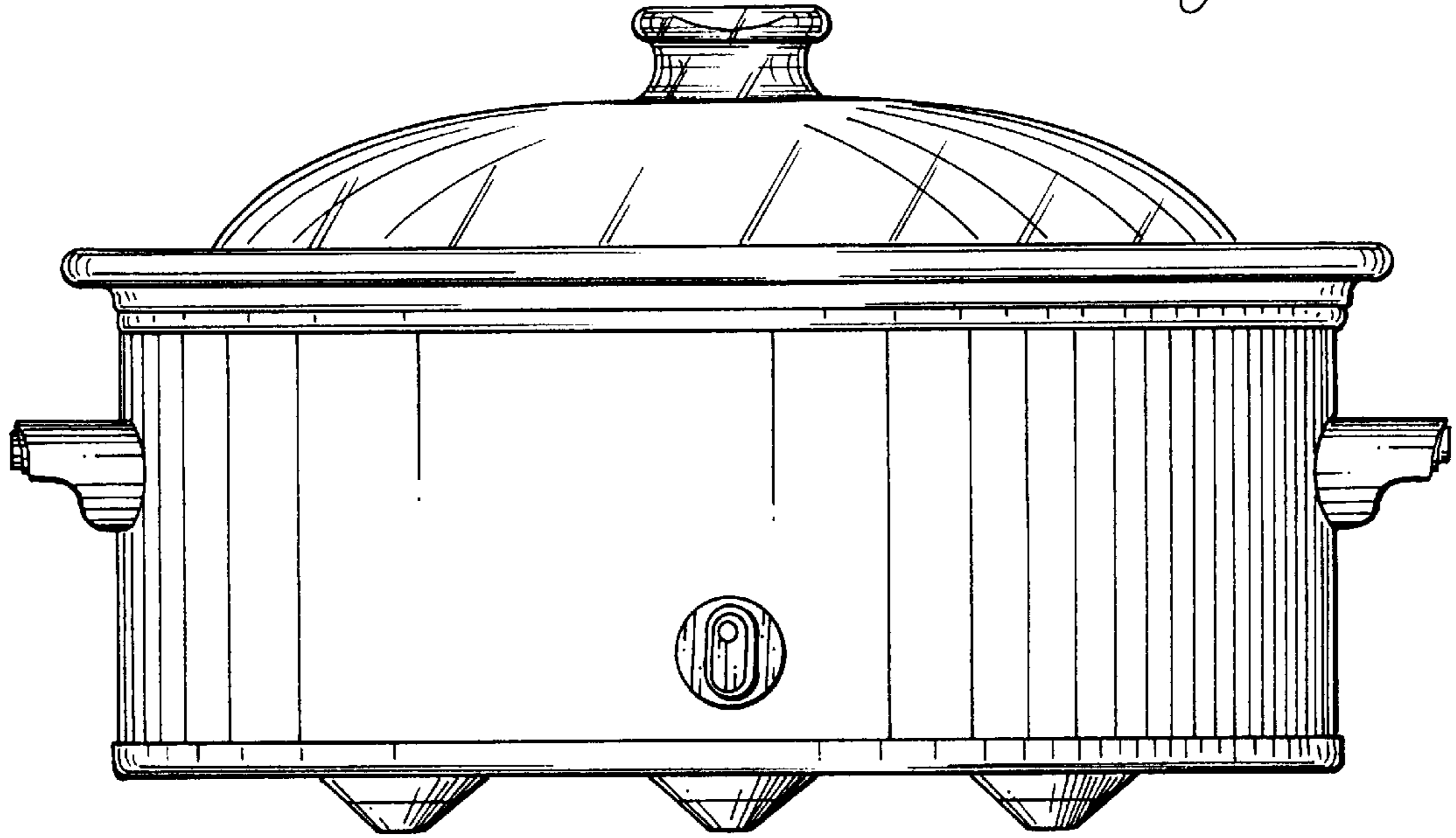
Rival® Potpourri Crock® Model 3209XX Sales Brochure;  
Oct., 1995.

Rival® Crock-Pot® Little Dipper Sales Brochure; Oct.,  
1995.

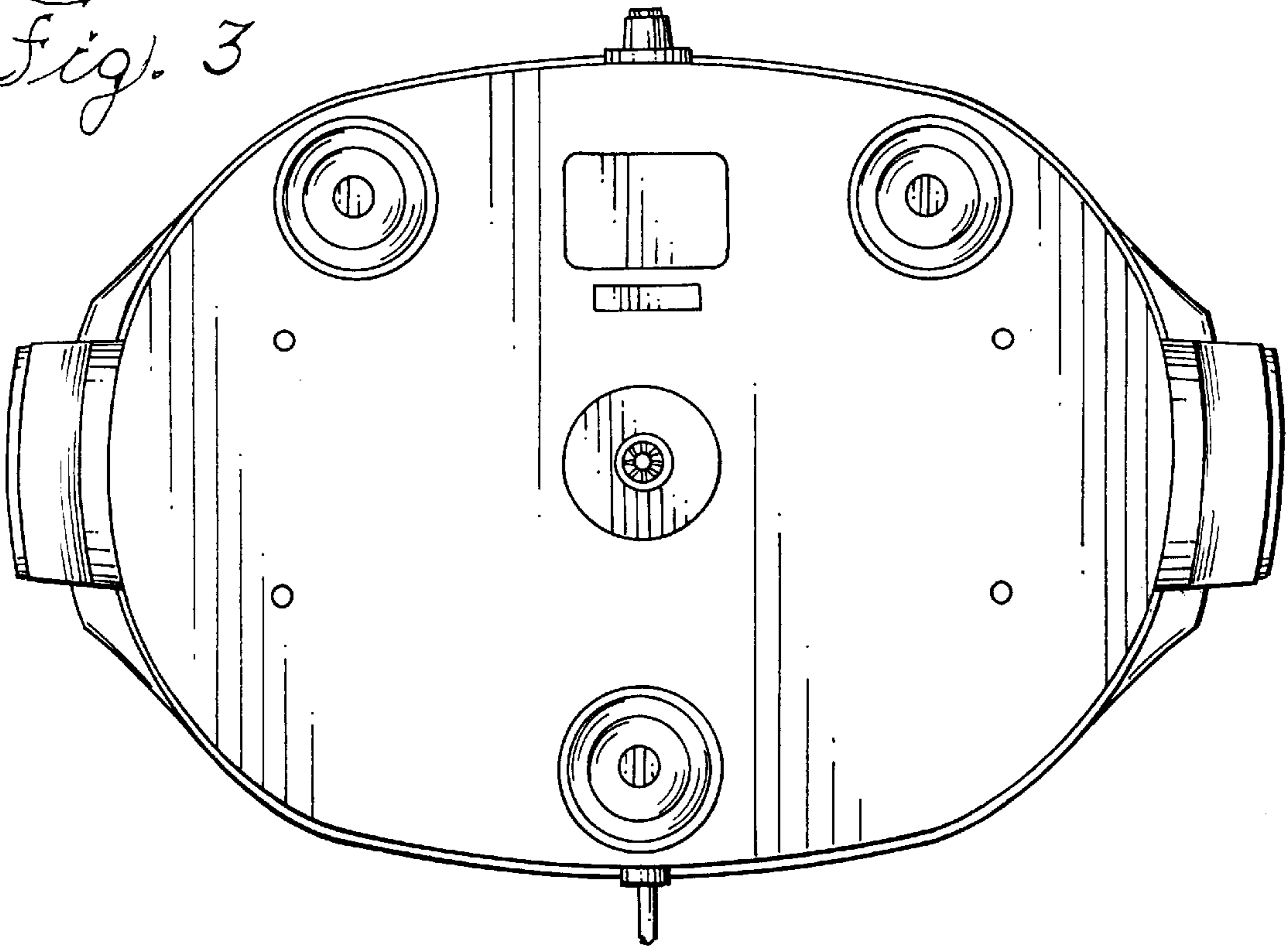
*Fig. 1*

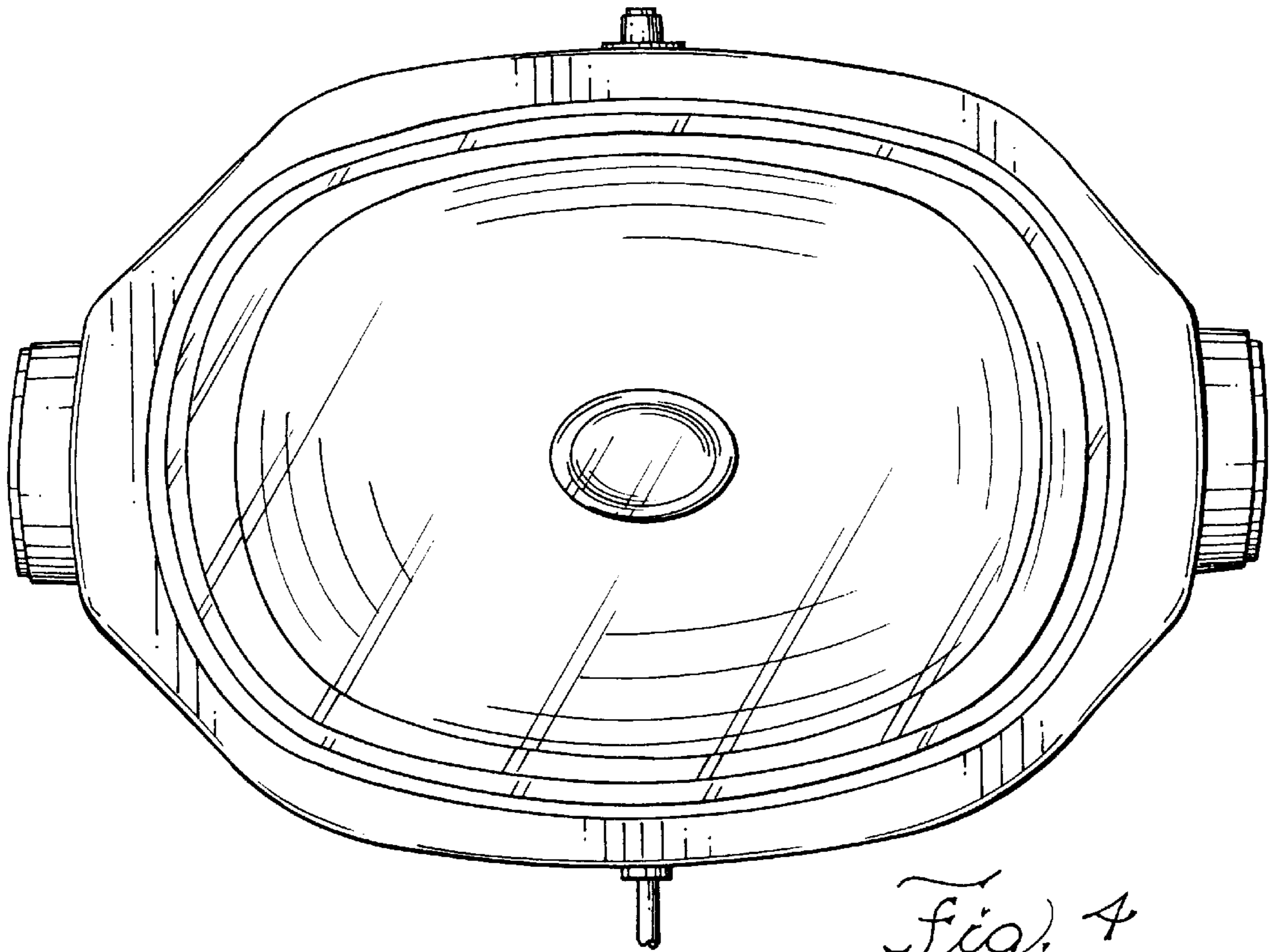


*Fig. 2*



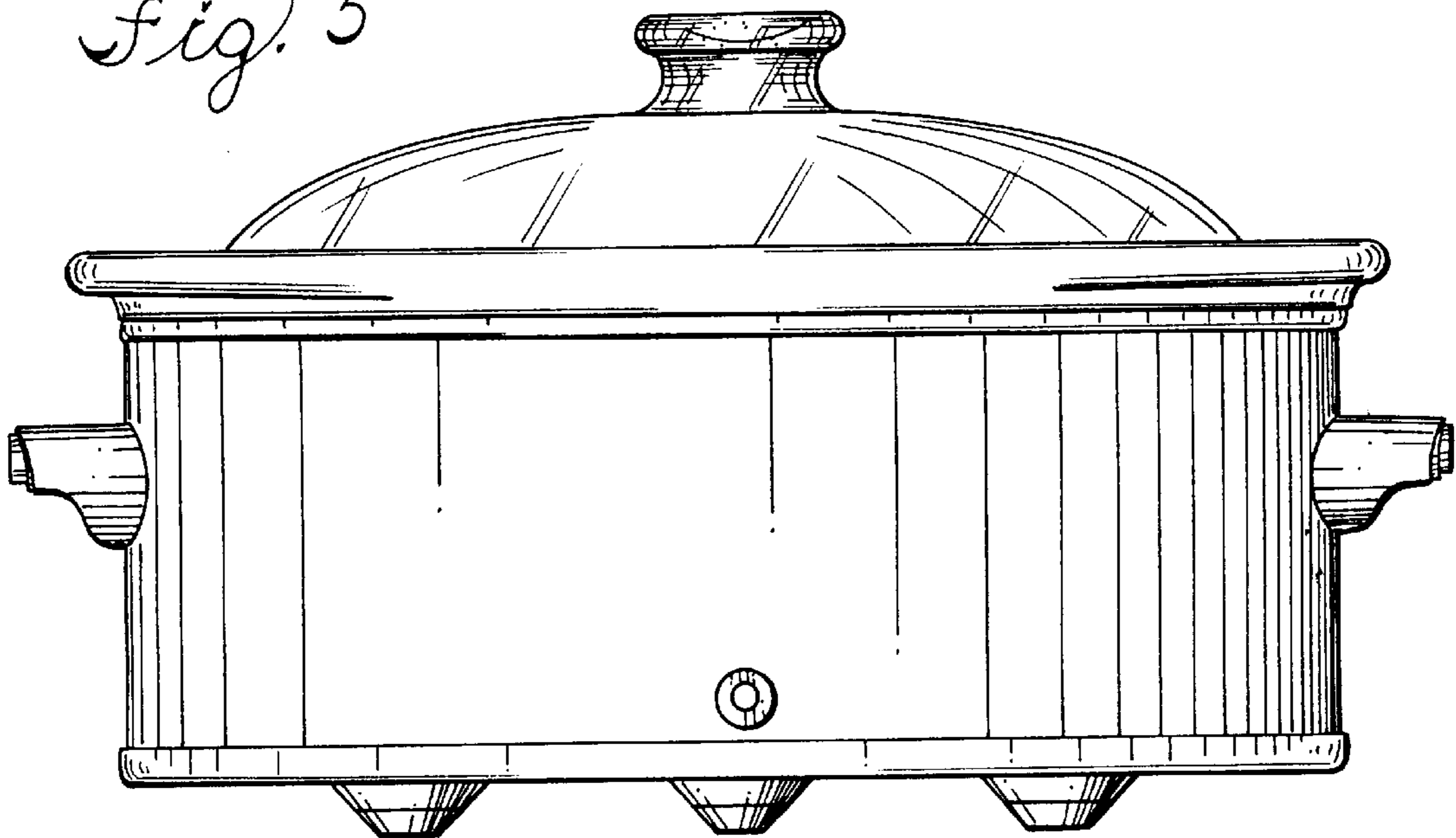
*Fig. 3*



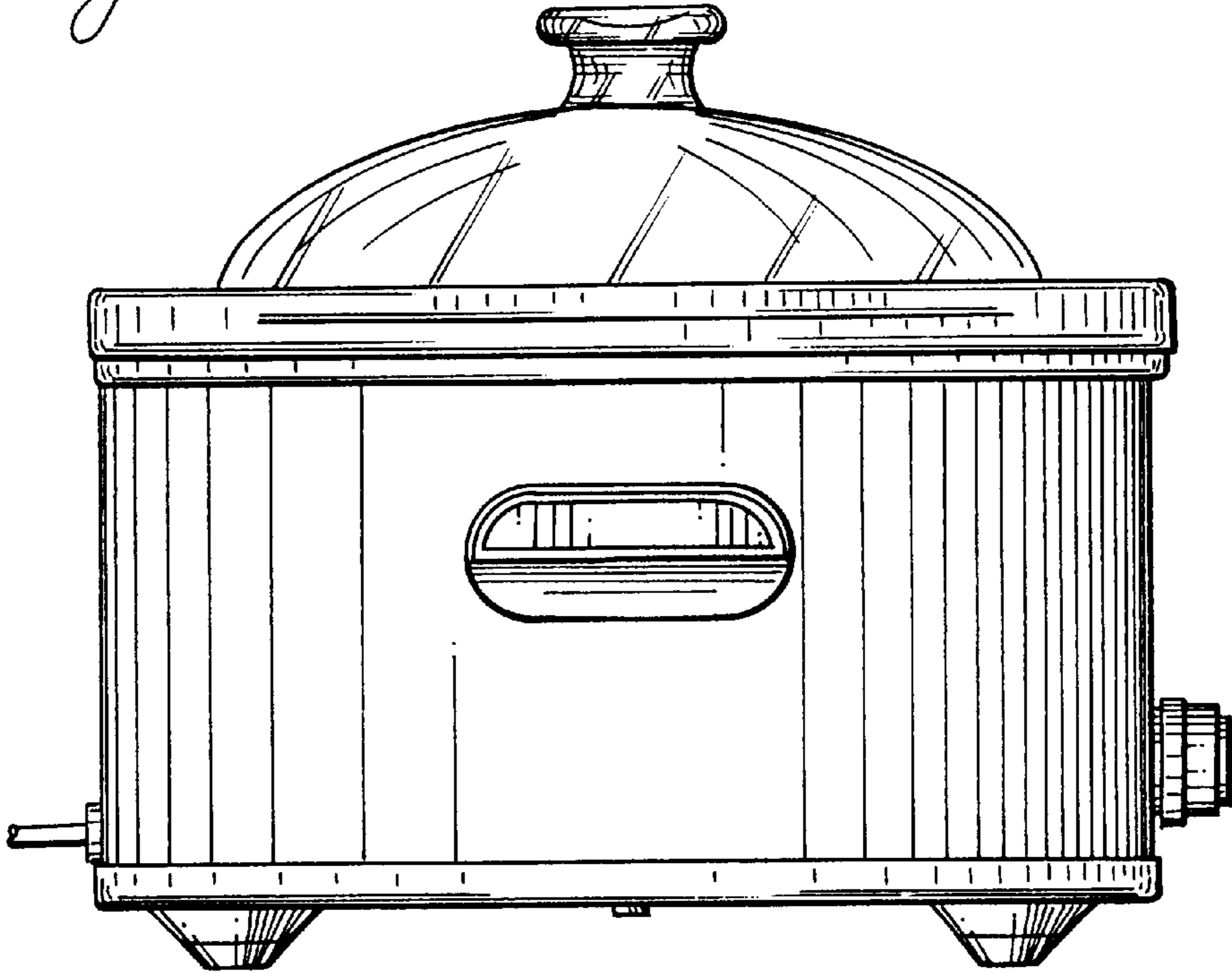


*Fig. 4*

*Fig. 5*



*Fig. 6*



*Fig. 7*

