



US00D429595S

United States Patent [19]

Kusachi et al.

[11] Patent Number: **Des. 429,595**

[45] Date of Patent: **** Aug. 22, 2000**

[54] MICROWAVE OVEN

[75] Inventors: **Yasunori Kusachi; Kensaku Noda; Kazunori Morimoto; Satoru Fujio; Noriyuki Mori**, all of Shiga-Ken, Japan

[73] Assignee: **Sanyo Electric Co., Ltd.**, Osaka-fu, Japan

[**] Term: **14 Years**

[21] Appl. No.: **29/110,352**

[22] Filed: **Sep. 1, 1999**

[51] LOC (7) Cl. **07-02**

[52] U.S. Cl. **D7/351**

[58] Field of Search D7/350-351, 402; 126/273 R, 273 A, 275 R, 275 E, 19 M, 21 A; 219/678, 680, 756-758

[56] References Cited

U.S. PATENT DOCUMENTS

- D. 312,944 12/1990 Kubo et al. D7/351
- D. 312,945 12/1990 Kubo et al. D7/351

- D. 380,644 7/1997 Tsuda et al. D7/351
- D. 384,545 10/1997 Wang D7/350
- D. 400,047 10/1998 Takimoto et al. D7/351
- D. 409,437 5/1999 Nakano et al. D7/351
- D. 411,074 6/1999 Sakai et al. D7/351
- D. 412,083 7/1999 Okuda et al. D7/351
- D. 412,807 8/1999 Noda et al. D7/351

Primary Examiner—Ruth McInroy
Attorney, Agent, or Firm—Darby & Darby

[57] CLAIM

We claim the ornamental design for a microwave oven, as shown and described.

DESCRIPTION

FIG. 1 is a perspective view of our new design for a microwave oven;
FIG. 2 is a front elevation view of our new design;
FIG. 3 is a right side elevation view thereof;
FIG. 4 is a rear elevation view thereof;
FIG. 5 is a left side elevation view thereof;
FIG. 6 is a top plan view thereof; and,
FIG. 7 is a bottom plan view thereof.

1 Claim, 4 Drawing Sheets

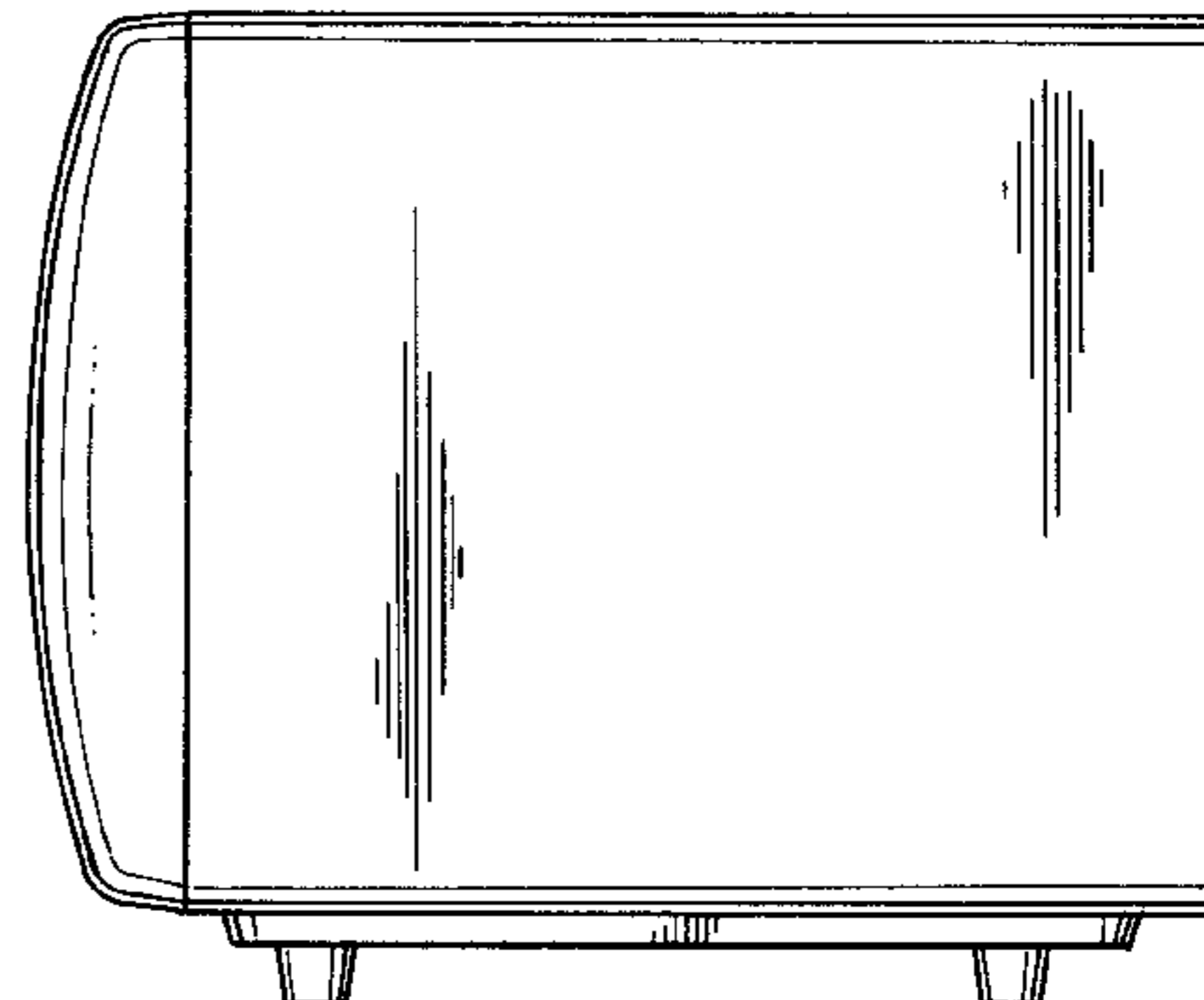
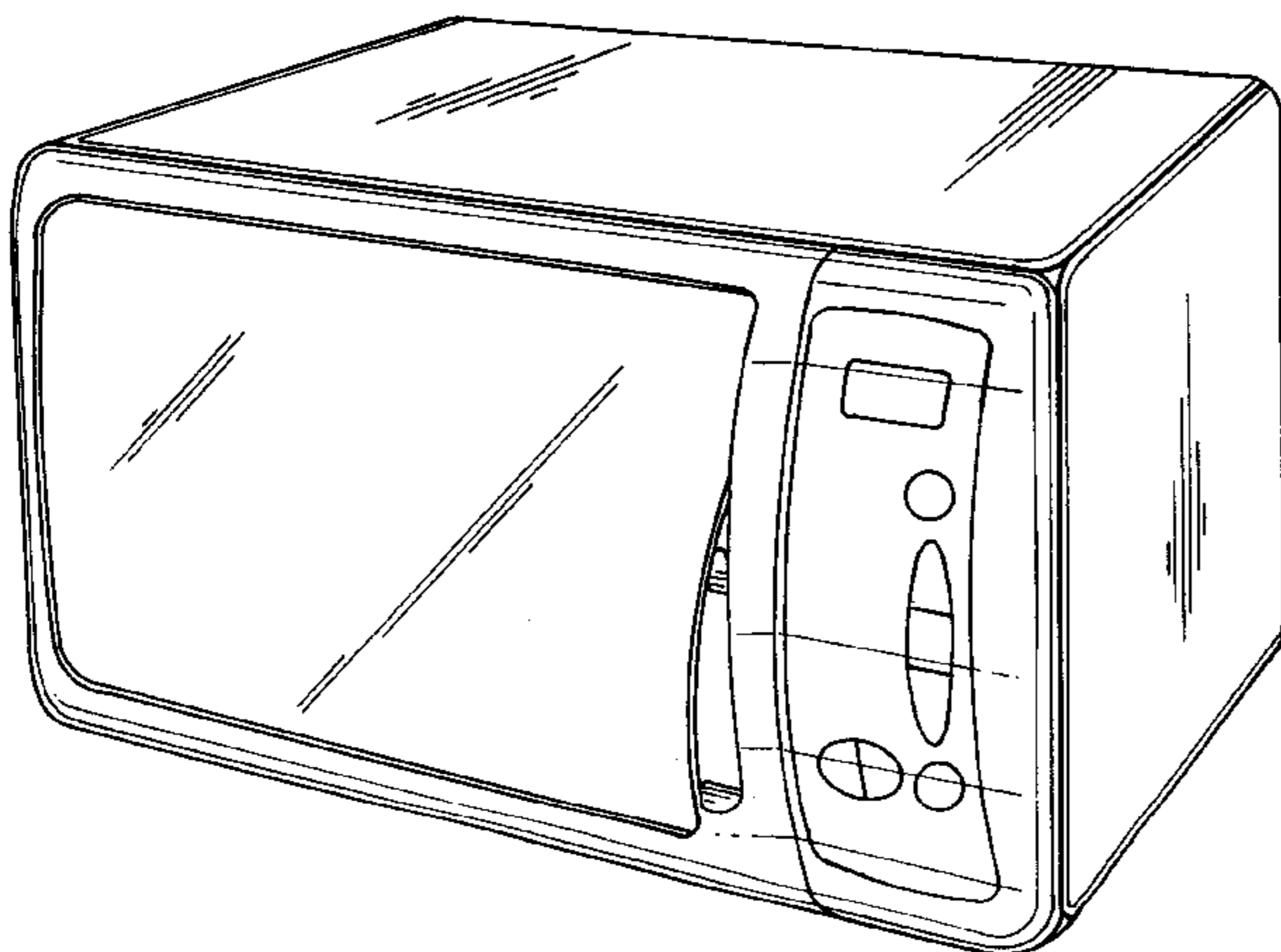


FIG. 1

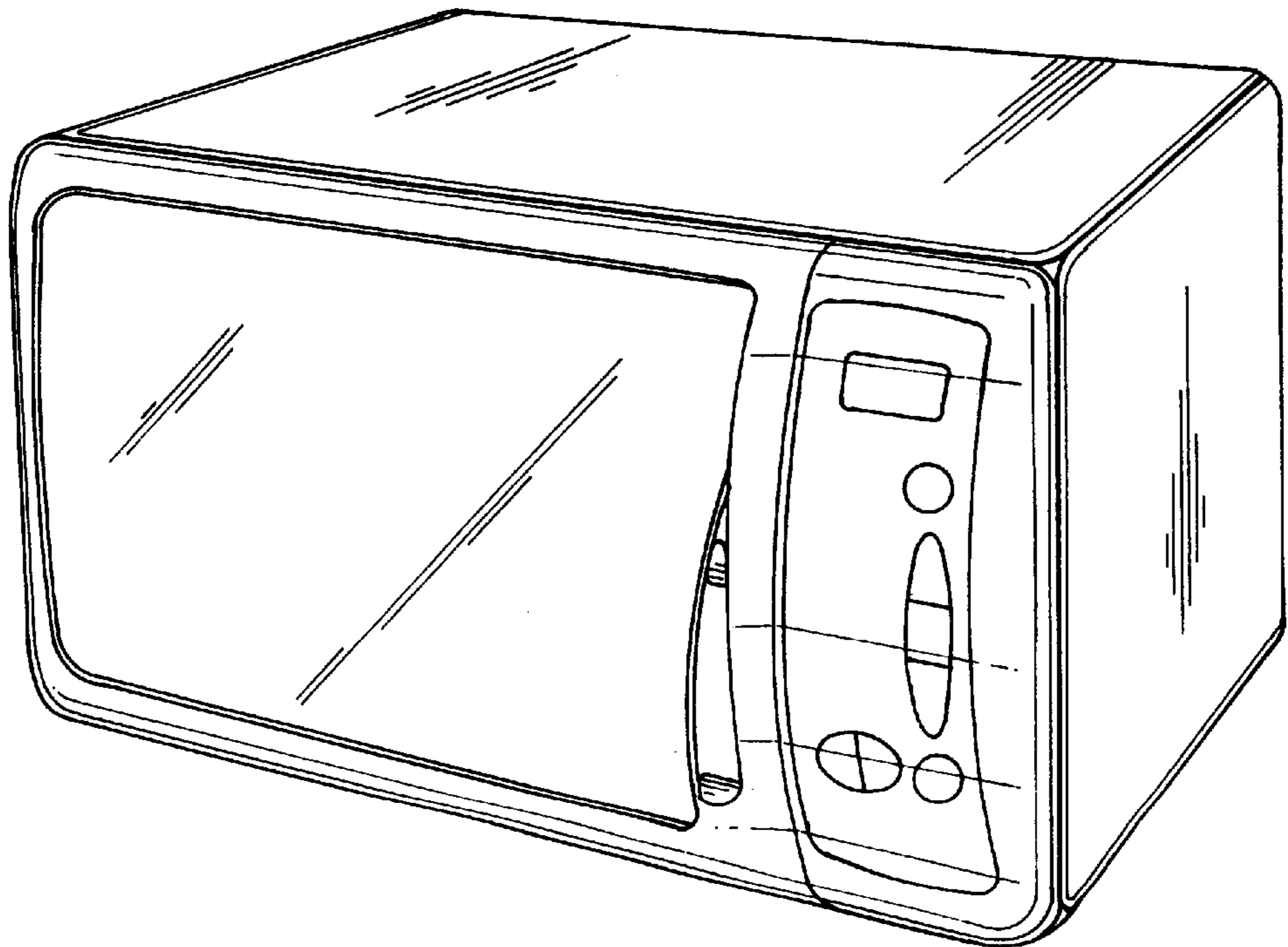


FIG. 2

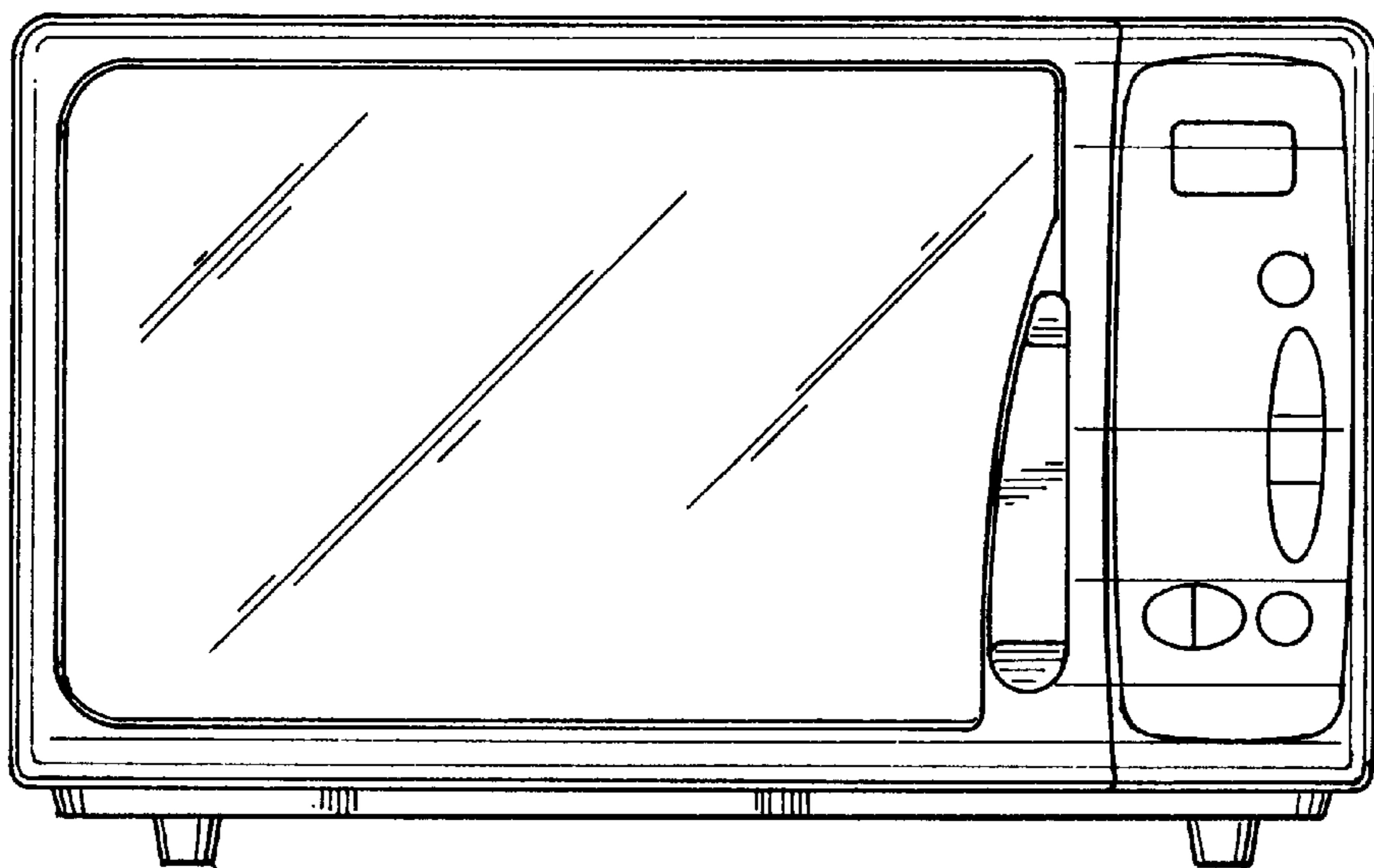


FIG. 3

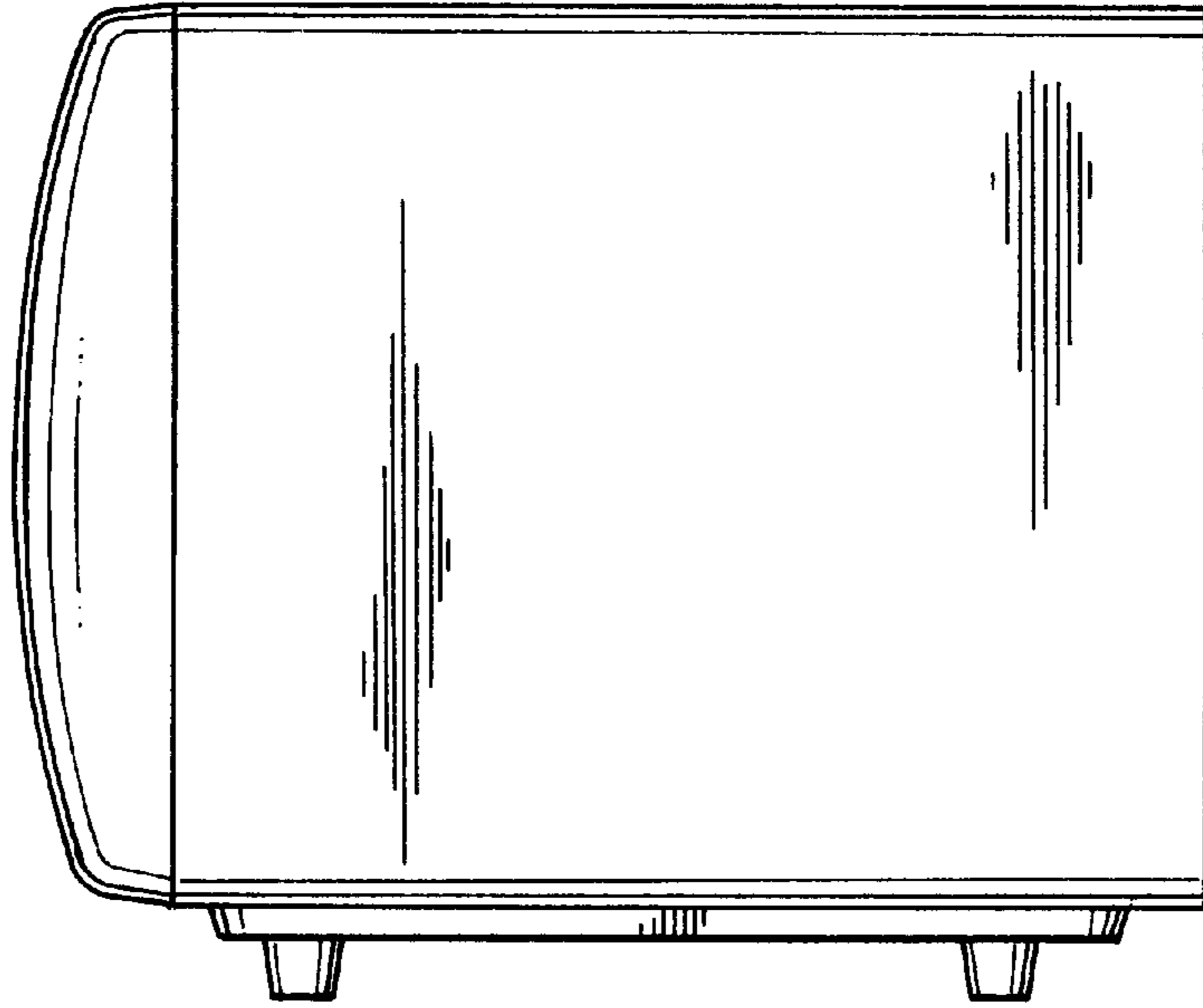


FIG. 4

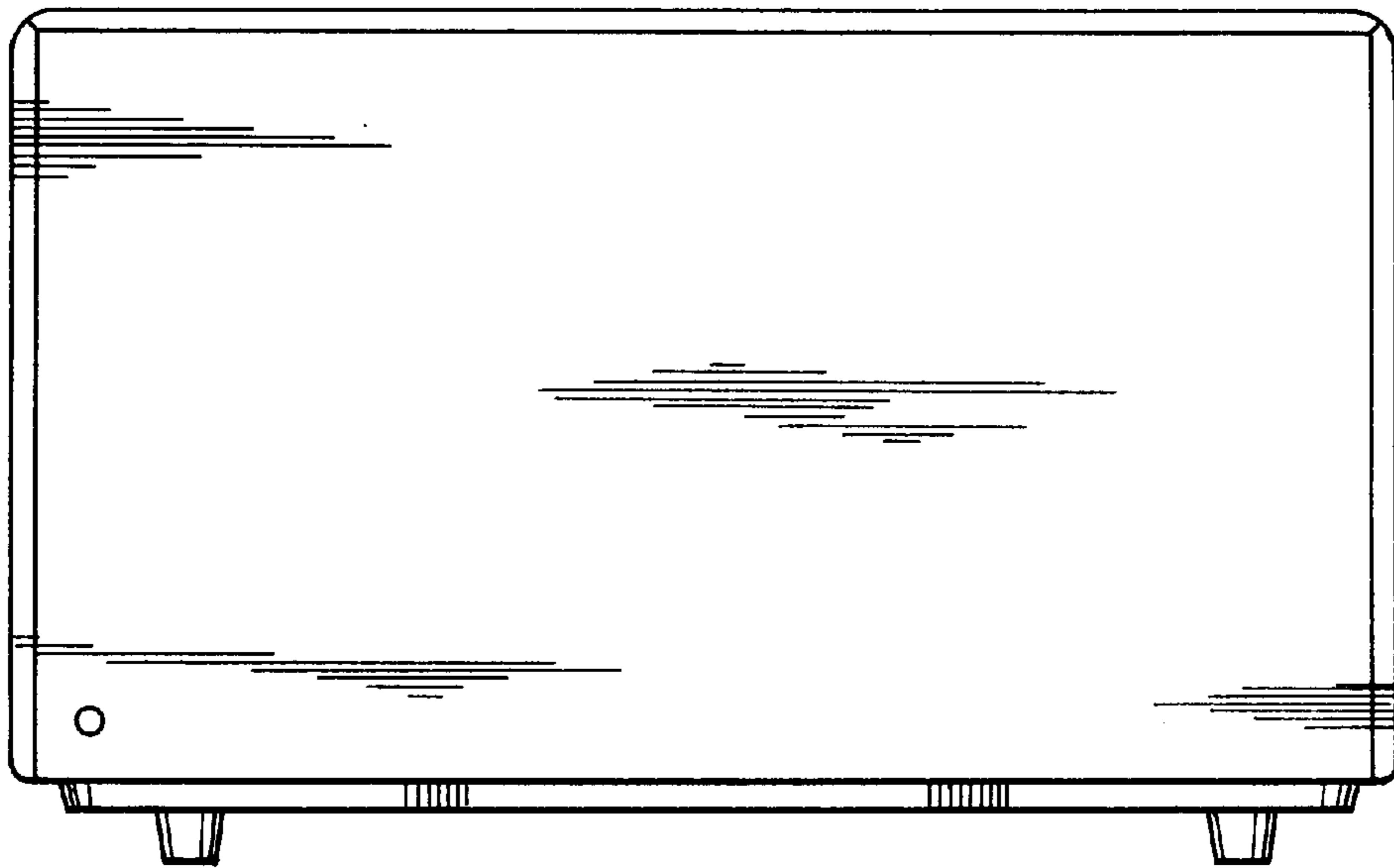


FIG. 5

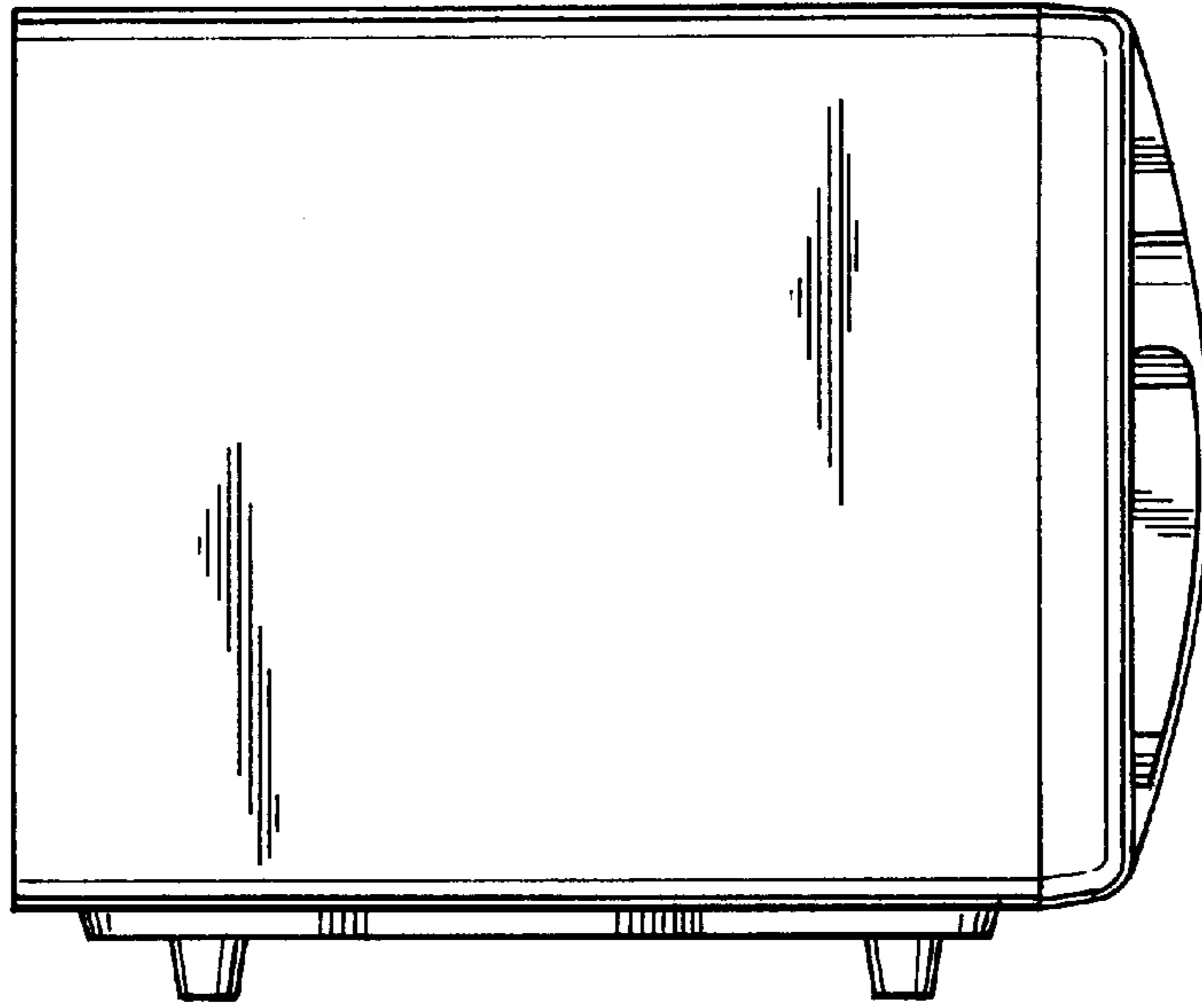


FIG. 6

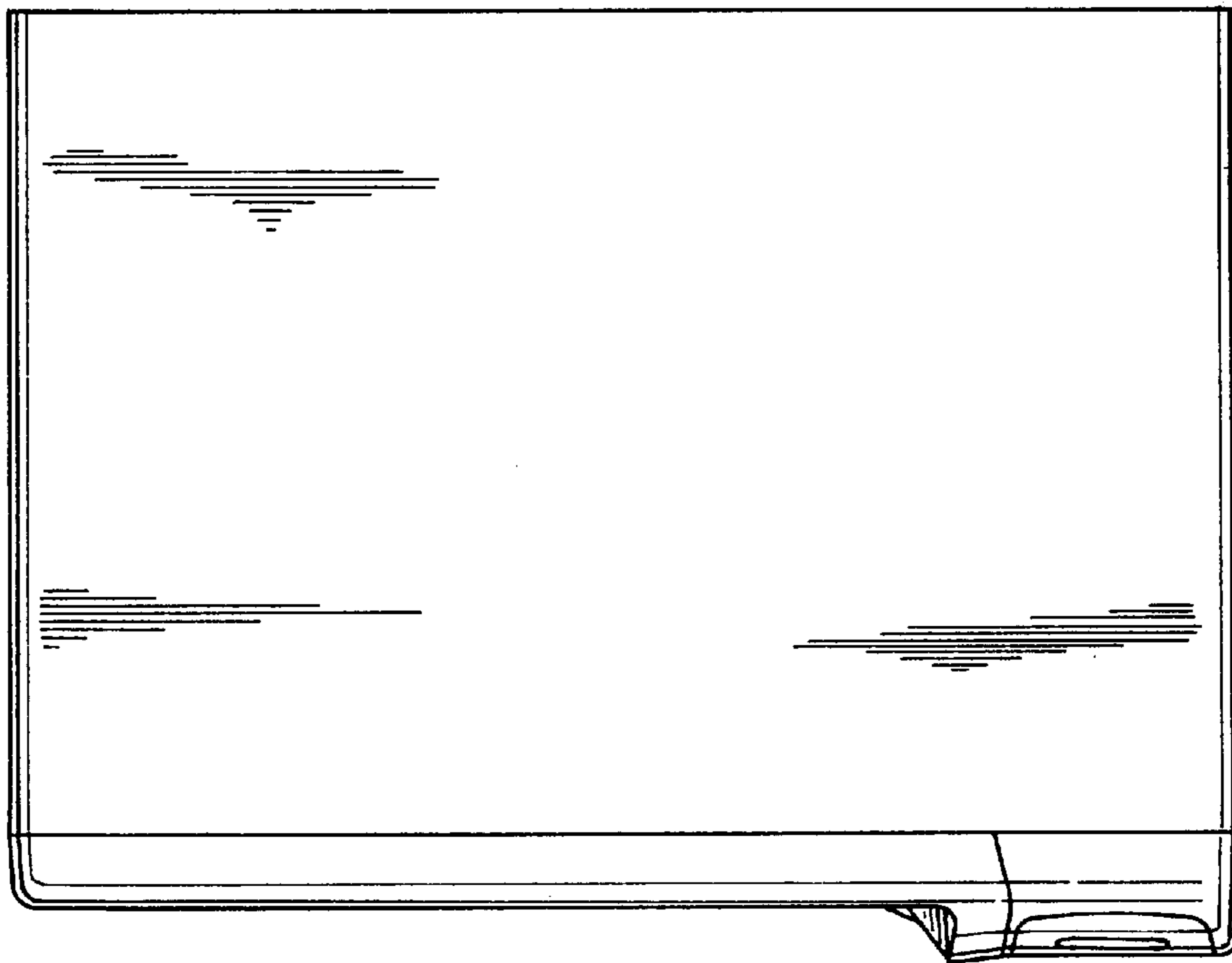


FIG. 7

