



US00D429594S

# United States Patent [19] Lin

[11] Patent Number: **Des. 429,594**

[45] Date of Patent: **\*\* Aug. 22, 2000**

[54] **COFFEE MAKER**

[75] Inventor: **Yu-Yuan Lin**, Tainan, Taiwan

[73] Assignee: **Uni-Splendor Corp.**, Tainan, Taiwan

[\*\*] Term: **14 Years**

[21] Appl. No.: **29/118,539**

[22] Filed: **Feb. 11, 2000**

[51] **LOC (7) Cl.** ..... **07-01**

[52] **U.S. Cl.** ..... **D7/309; D7/310; D7/311**

[58] **Field of Search** ..... D7/309, 310, 311,  
D7/300; 222/129; 210/455; 219/438; 99/304,  
283, 279

[56] **References Cited**

**U.S. PATENT DOCUMENTS**

D. 366,982	2/1996	Amiel	.....	D7/309
D. 387,946	12/1997	Hippen	.....	D7/309
D. 390,742	2/1998	Sander	.....	D7/309
D. 391,439	3/1998	Mork et al.	.....	D7/309

D. 398,183	9/1998	Felip	.....	D7/309
D. 399,698	10/1998	Saltet	.....	D7/309
D. 418,000	12/1999	Mork et al.	.....	D7/309
D. 421,360	3/2000	Lin	.....	D7/309

*Primary Examiner*—M. N. Pandozzi  
*Attorney, Agent, or Firm*—Bacon & Thomas, PLLC

[57] **CLAIM**

The ornamental design for a coffee maker, as shown and described.

**DESCRIPTION**

FIG. 1 is a perspective view of a coffee maker showing my new design;

FIG. 2 is a right side elevational view thereof;

FIG. 3 is a top plan view thereof;

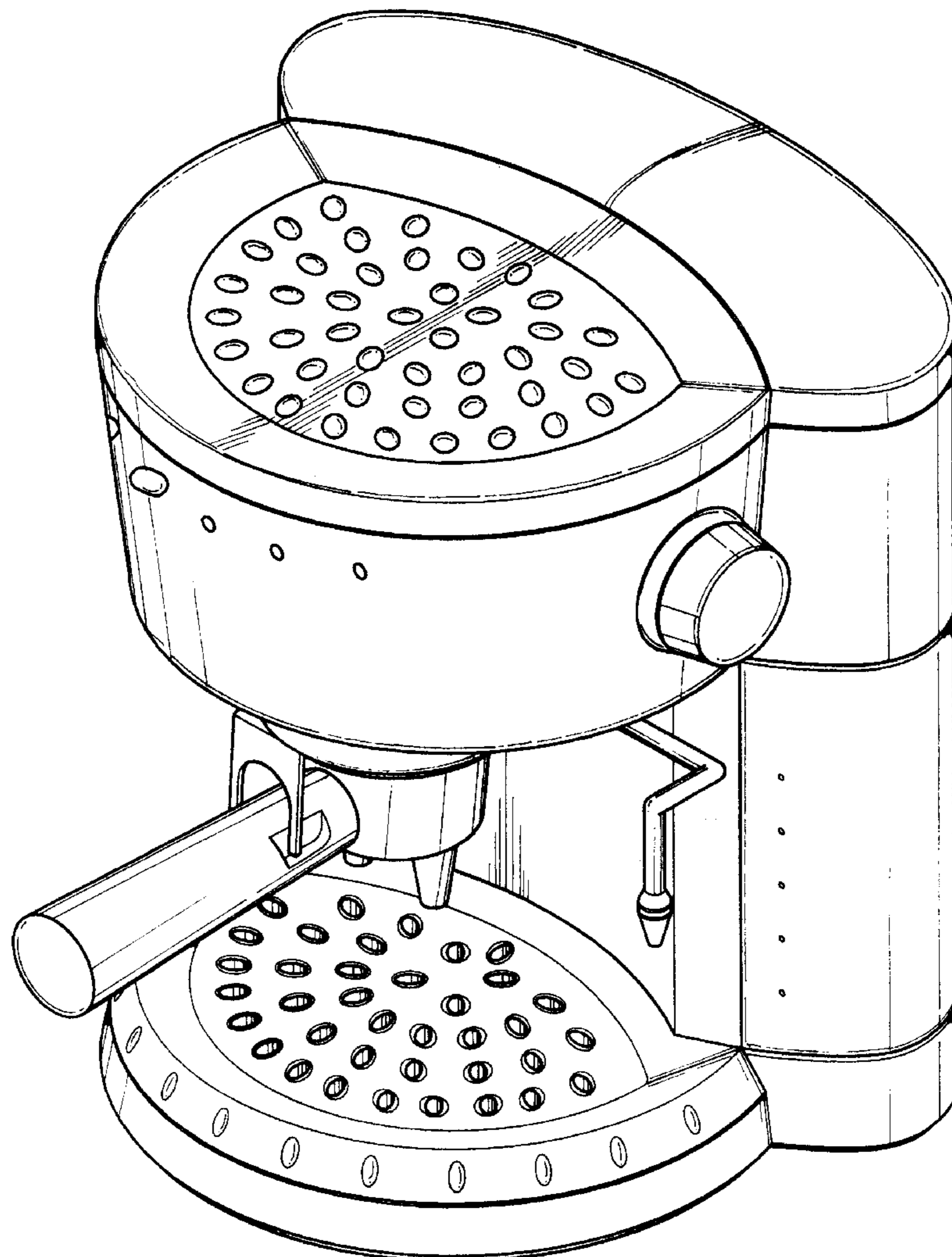
FIG. 4 is a front elevational view thereof;

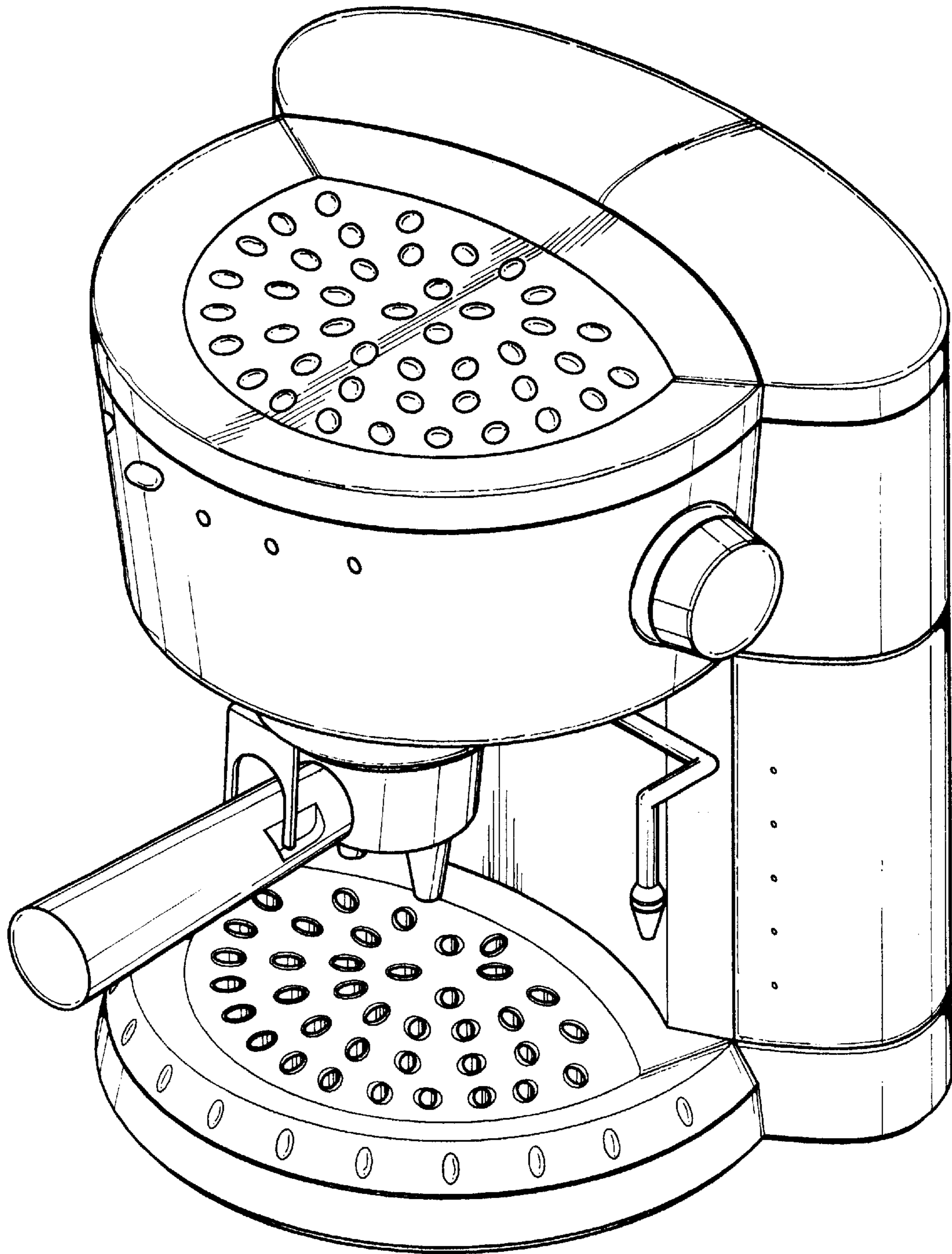
FIG. 5 is a bottom plan view thereof;

FIG. 6 is a left side elevational view thereof; and,

FIG. 7 is a rear elevational view.

**1 Claim, 4 Drawing Sheets**





*FIG. 1*

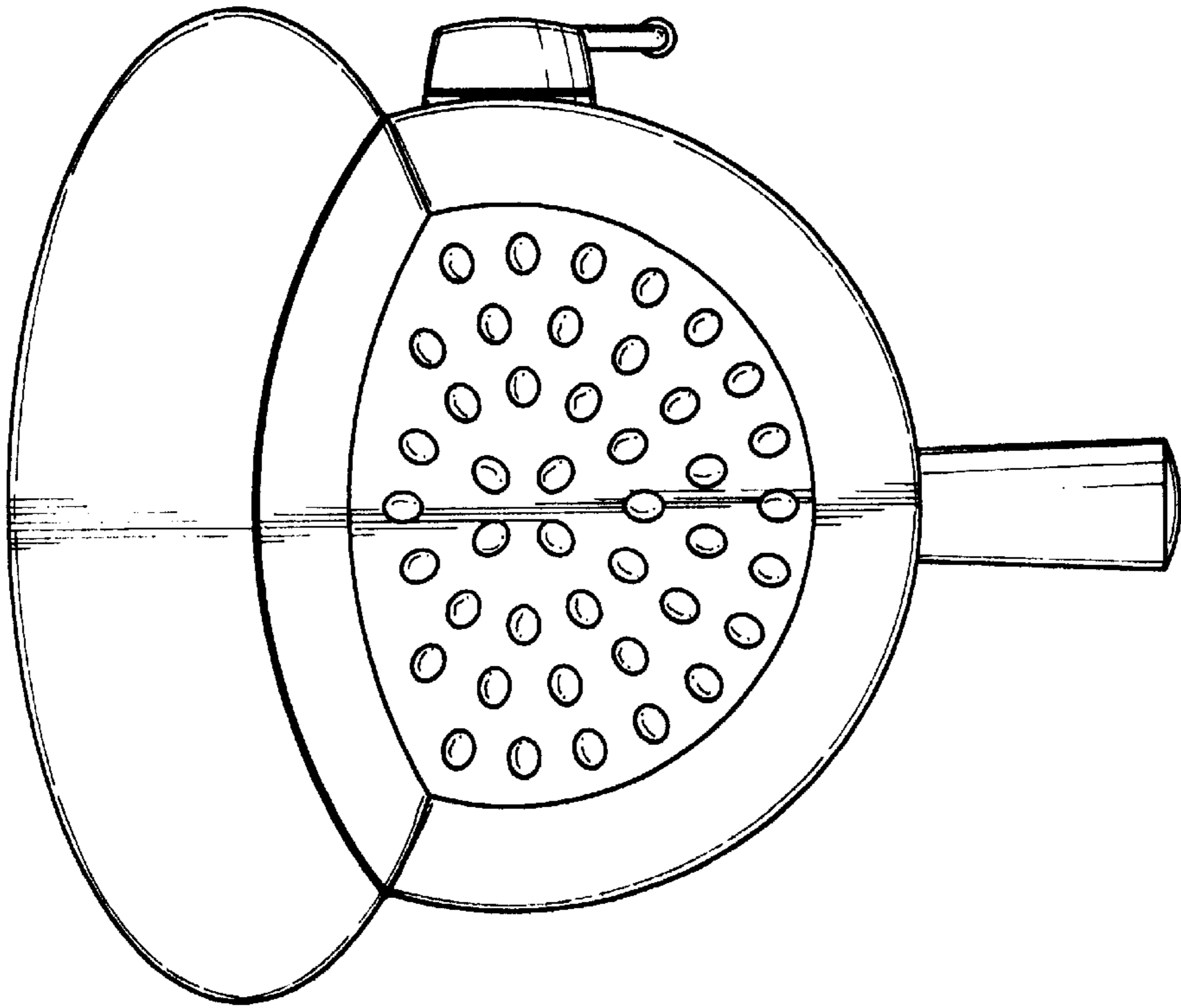


FIG. 3

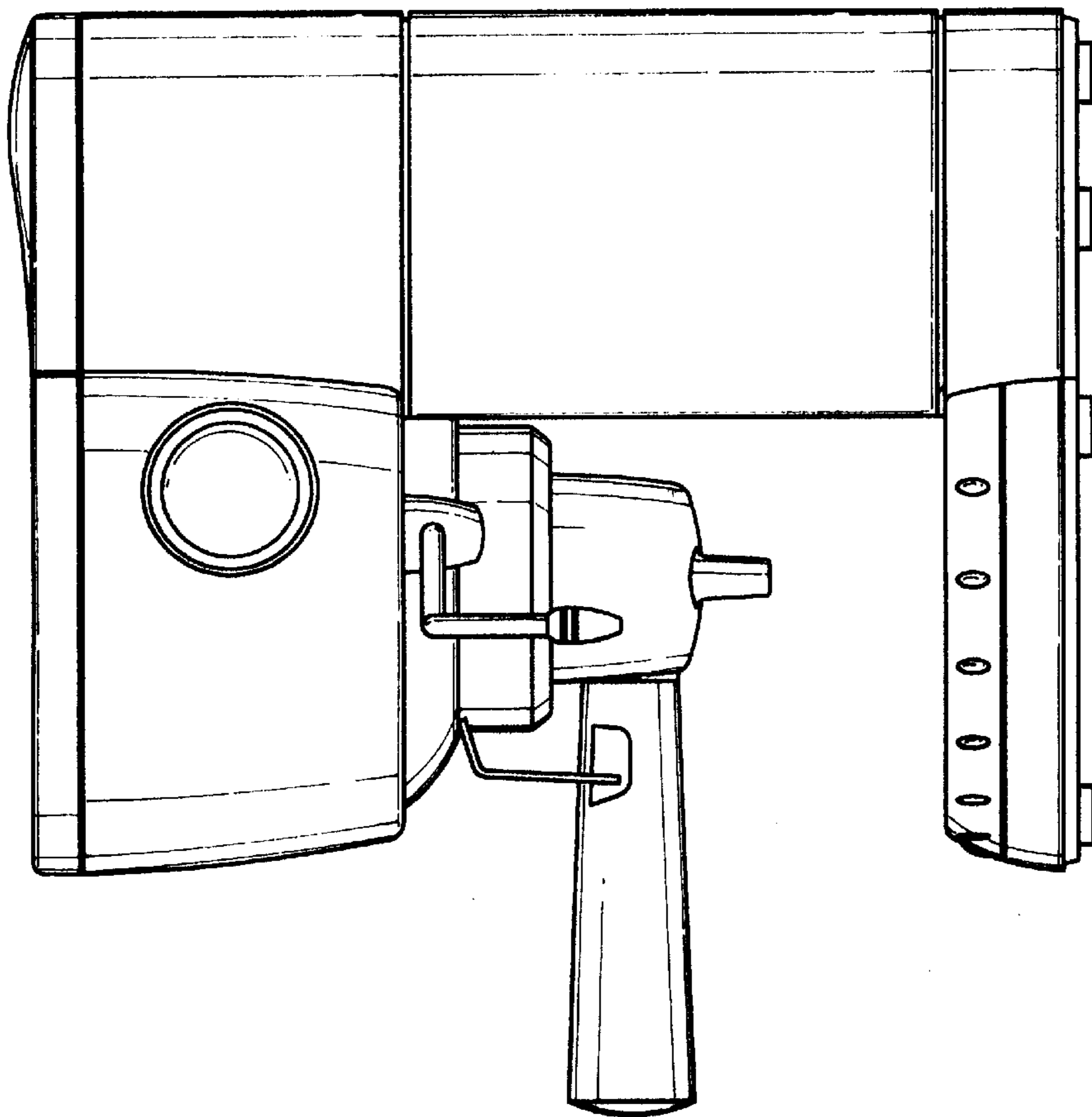


FIG. 2

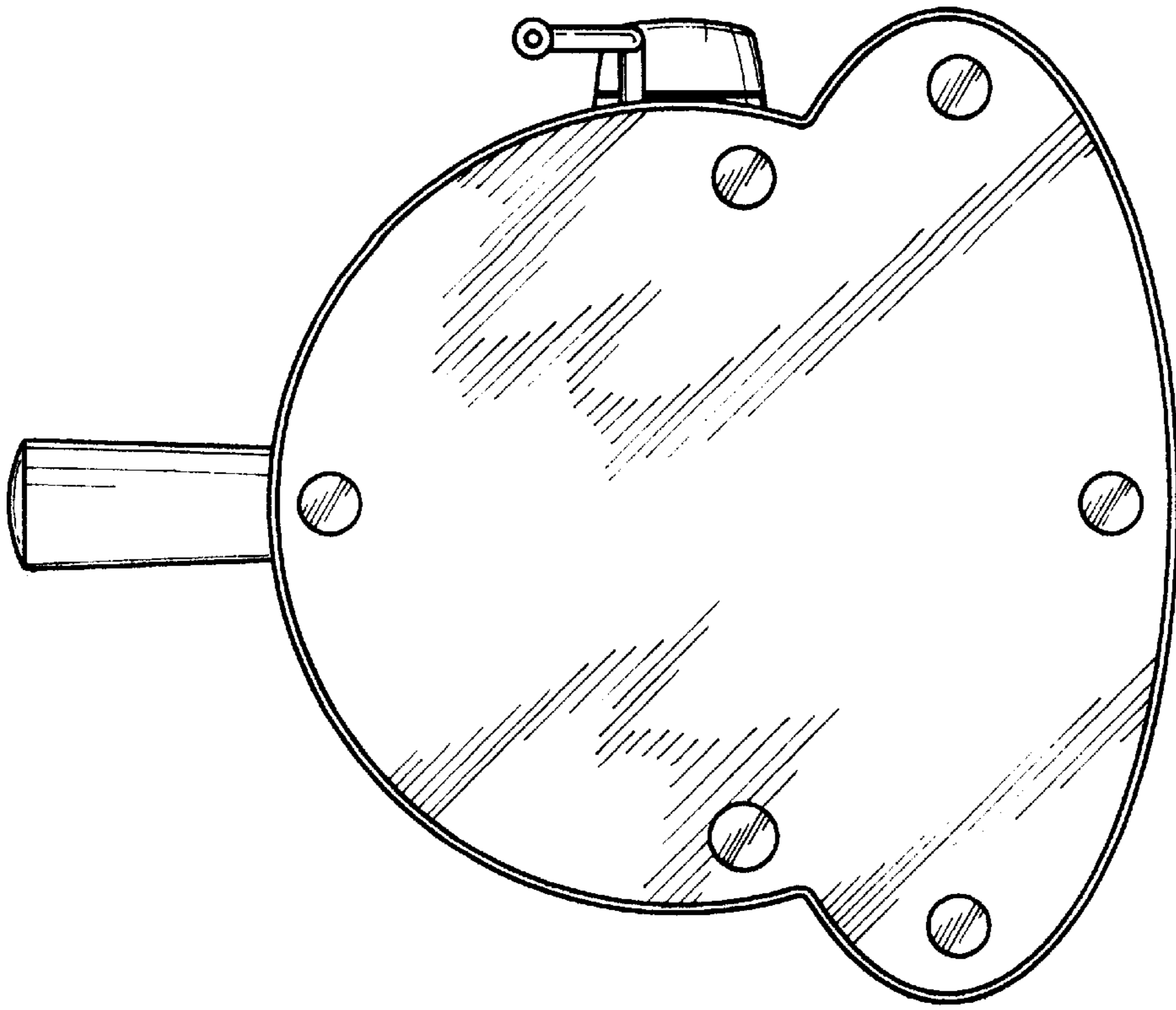


FIG. 5

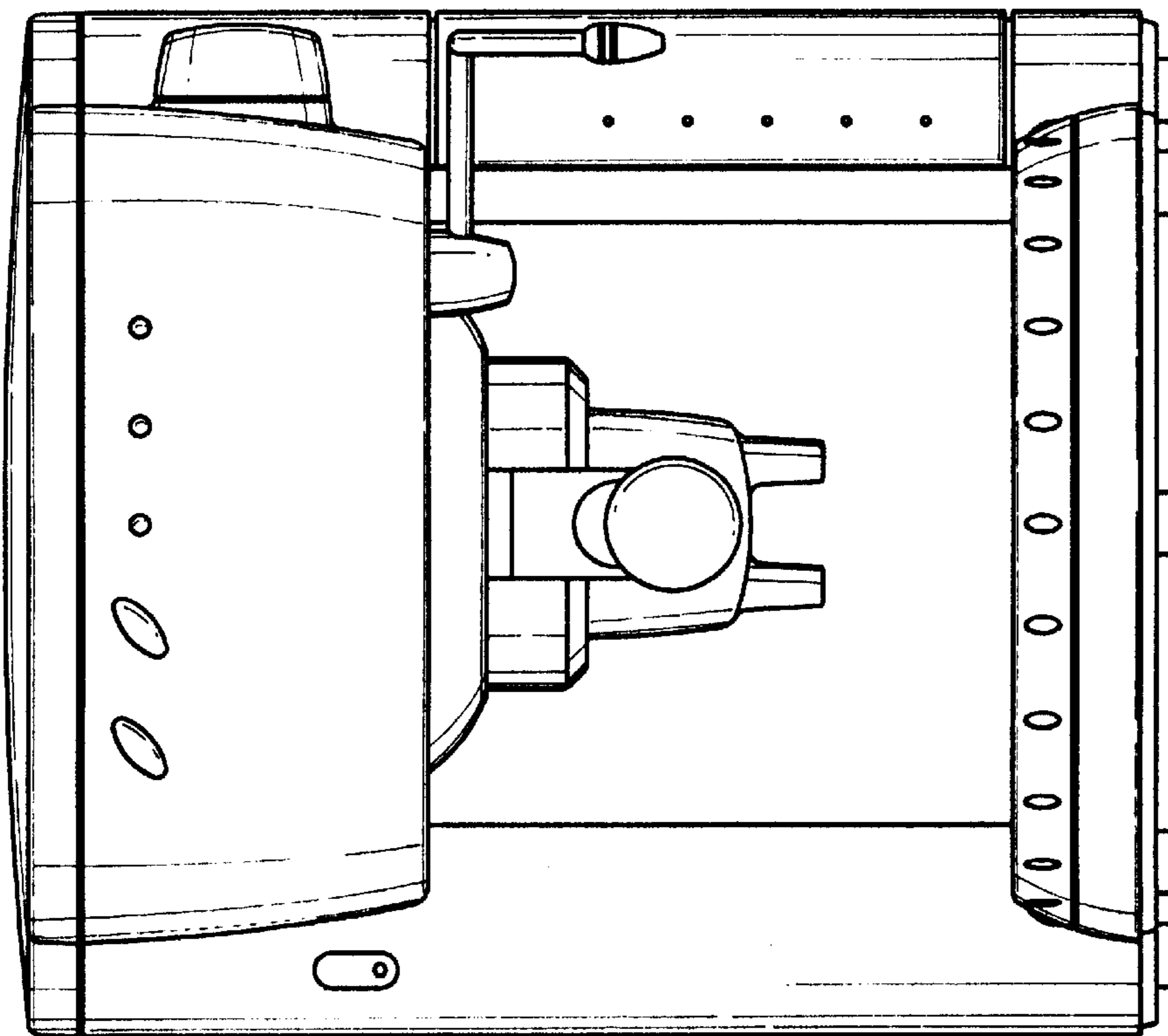


FIG. 4

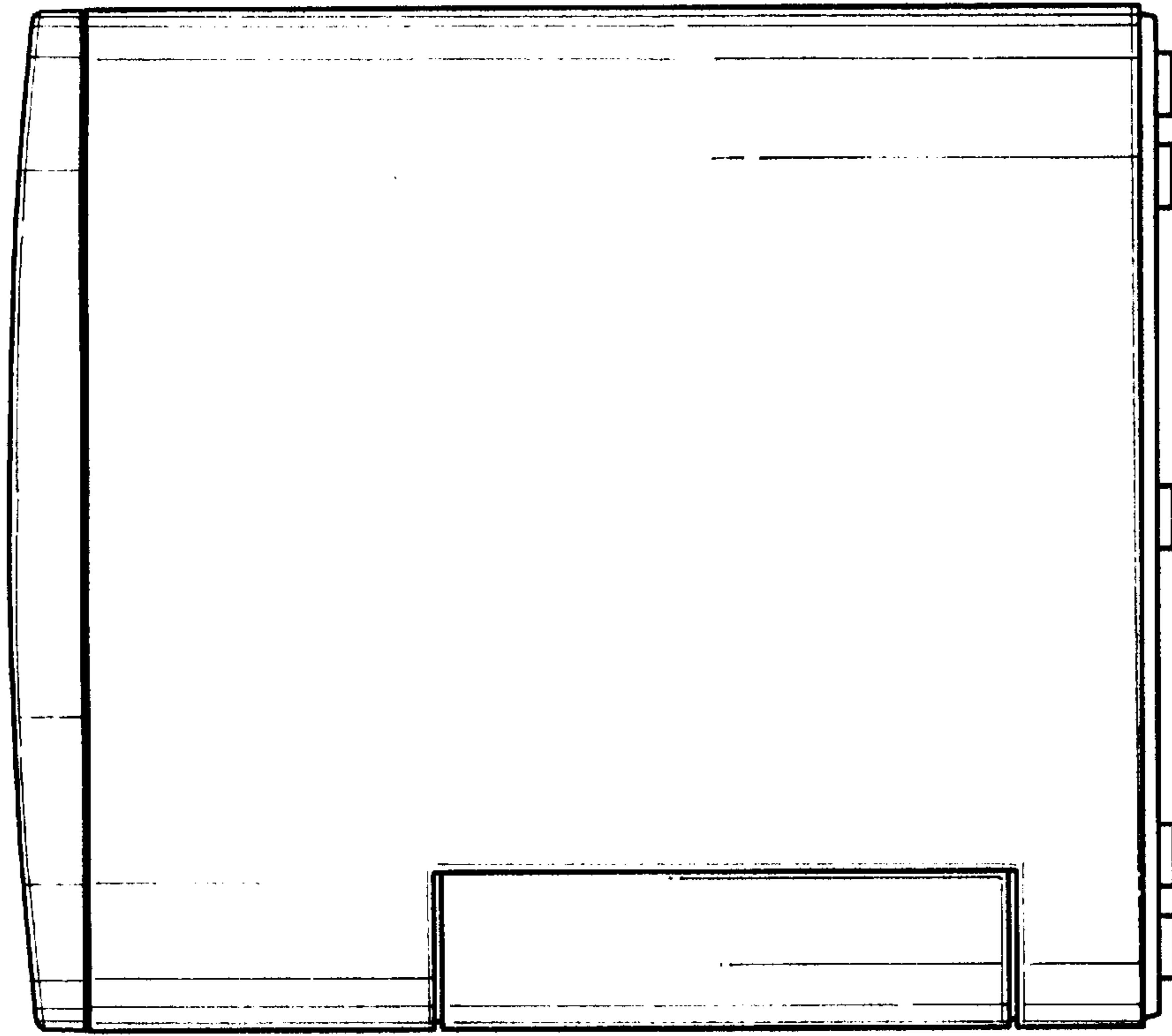


FIG. 7

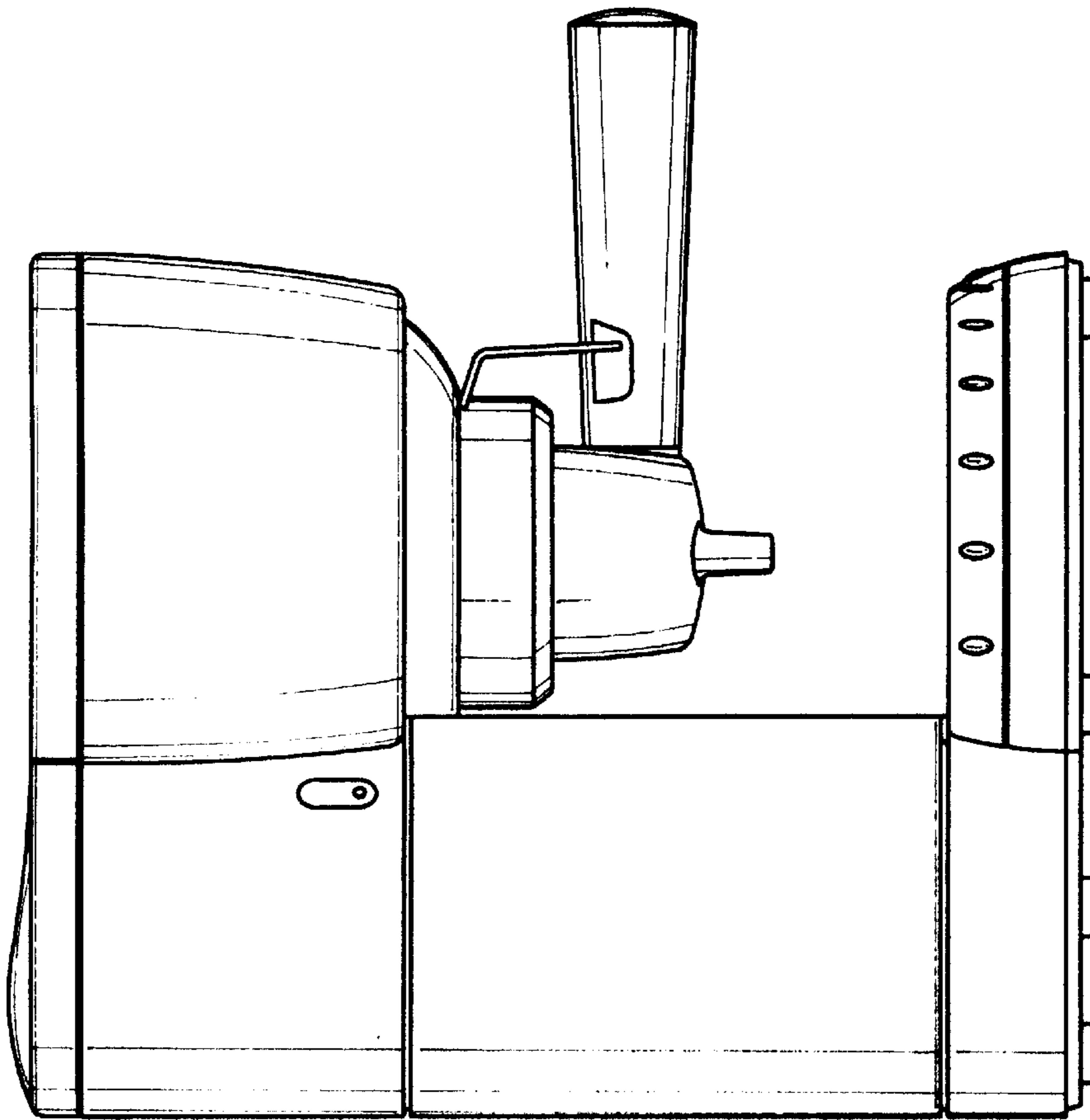


FIG. 6