



US00D429581S

United States Patent [19] Wohlford

[11] **Patent Number: Des. 429,581**

[45] **Date of Patent: ** Aug. 22, 2000**

[54] **MINI STEREO SYSTEM SUPPORT**

[75] Inventor: **James G. Wohlford**, Minneapolis, Minn.

[73] Assignee: **Decade Industries, Inc.**, Arden Hills, Minn.

[**] Term: **14 Years**

[21] Appl. No.: **29/102,217**

[22] Filed: **Mar. 19, 1999**

[51] **LOC (7) Cl.** **06-04**

[52] **U.S. Cl.** **D6/474**

[58] **Field of Search** D6/396, 426, 449, D6/464, 468, 474, 477, 480, 487; D14/224; D34/21; 108/59, 92, 147.11; 211/49.1, 134, 40, 128.1, 133.1; 312/223.1

[56] **References Cited**

U.S. PATENT DOCUMENTS

D. 318,280 7/1991 Sumrell et al. D6/477 X

D. 360,887 8/1995 Karnaze D6/449 X
D. 405,988 2/1999 Wohlford D6/474
D. 407,234 7/1991 Moen et al. D6/426

FOREIGN PATENT DOCUMENTS

9200432 8/1992 Germany .

Primary Examiner—Cathron B. Matta
Attorney, Agent, or Firm—Kinney & Lange, P.A.

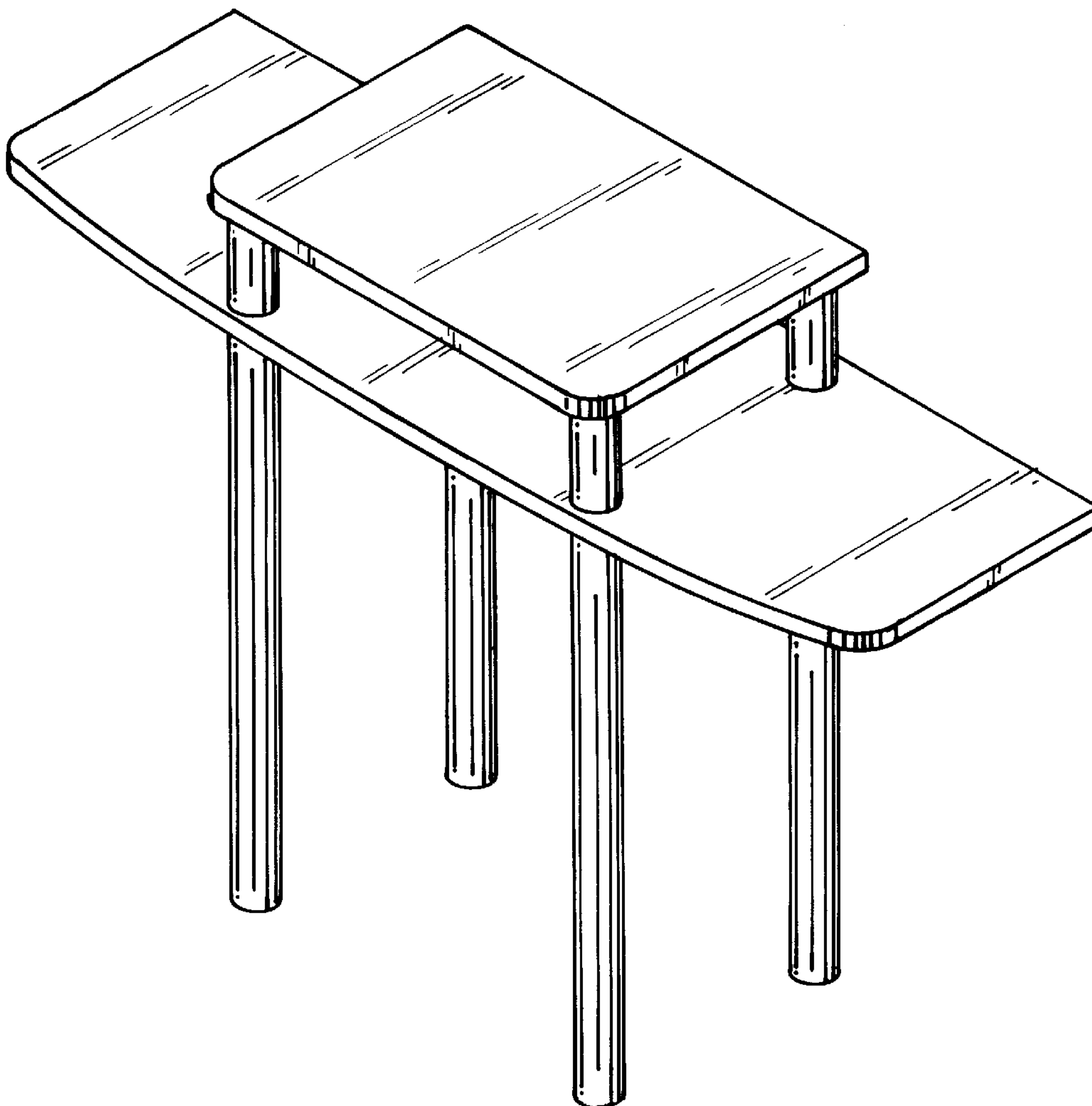
[57] **CLAIM**

The ornamental design for a mini stereo system support, as shown and described.

DESCRIPTION

FIG. 1 is a perspective view;
FIG. 2 is a top plan view;
FIG. 3 is a front elevational view;
FIG. 4 is a right side view;
FIG. 5 is a left side view;
FIG. 6 is a rear elevational view; and,
FIG. 7 is a bottom plan view.

1 Claim, 4 Drawing Sheets



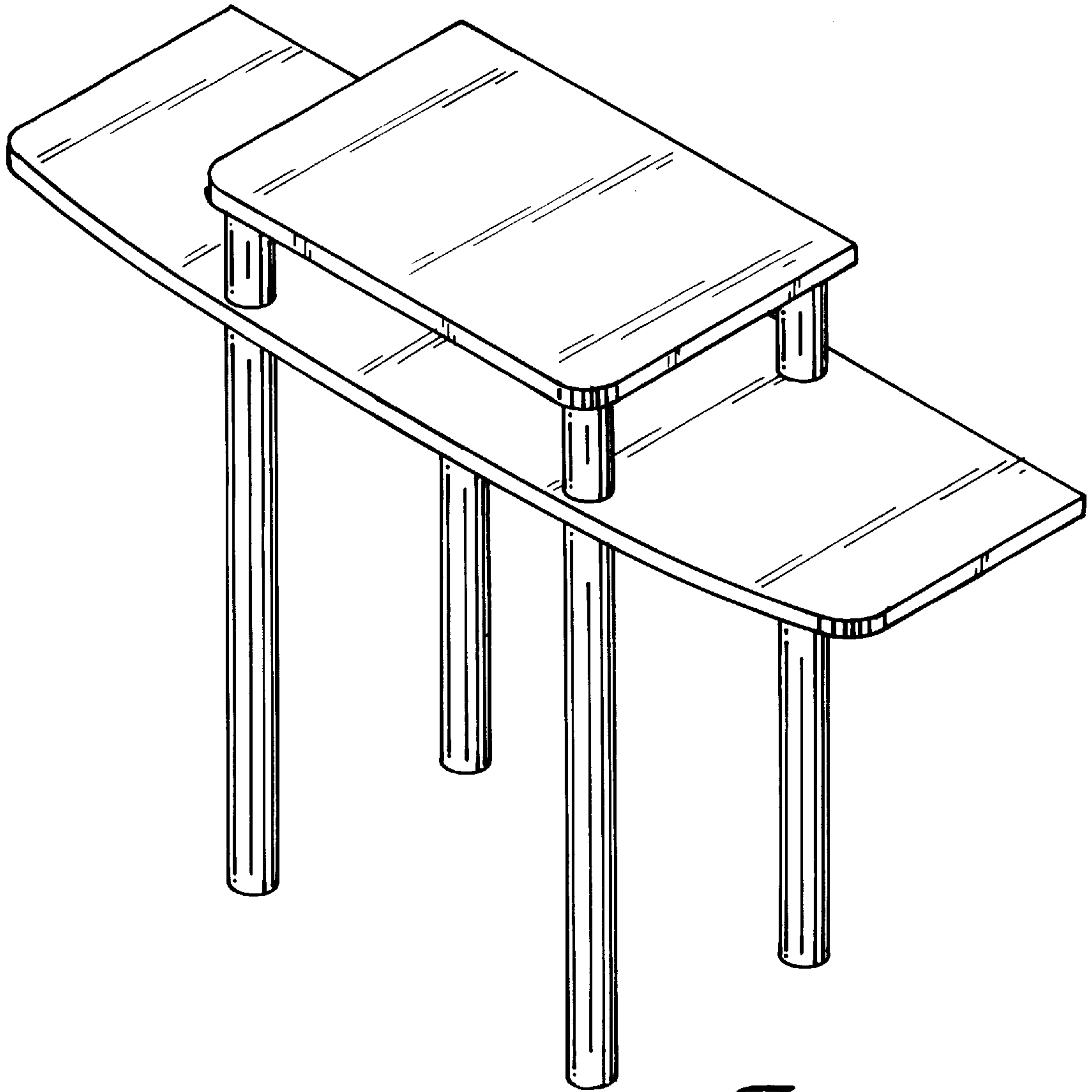


Fig. 1

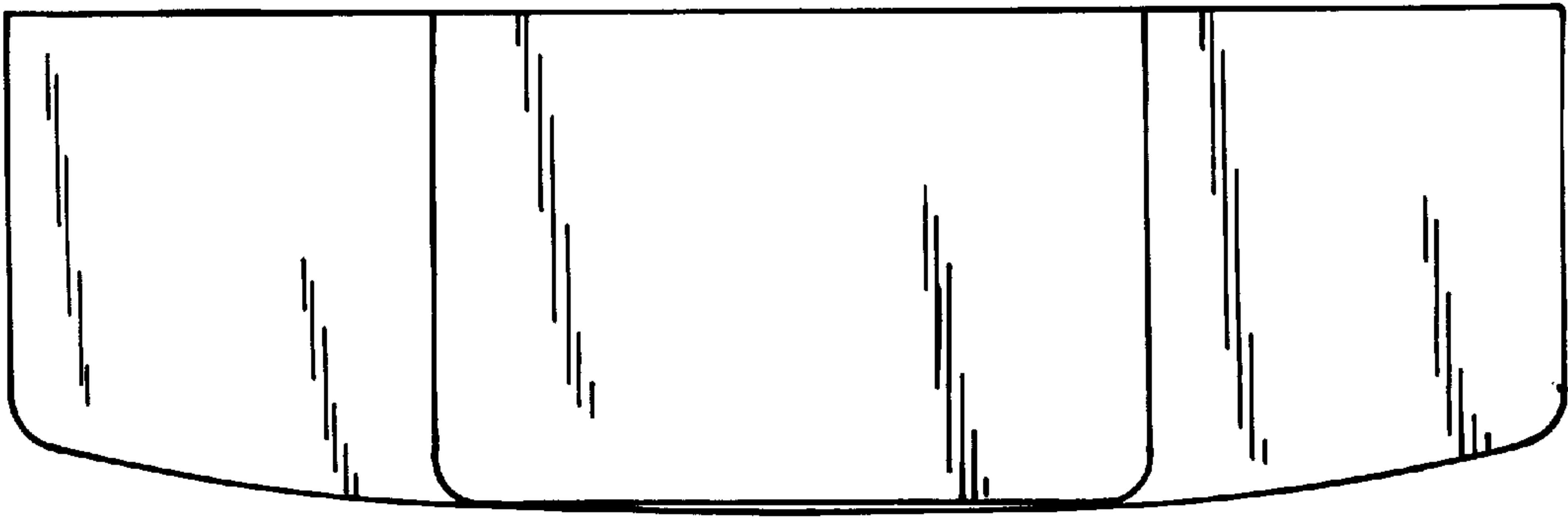


Fig. 2

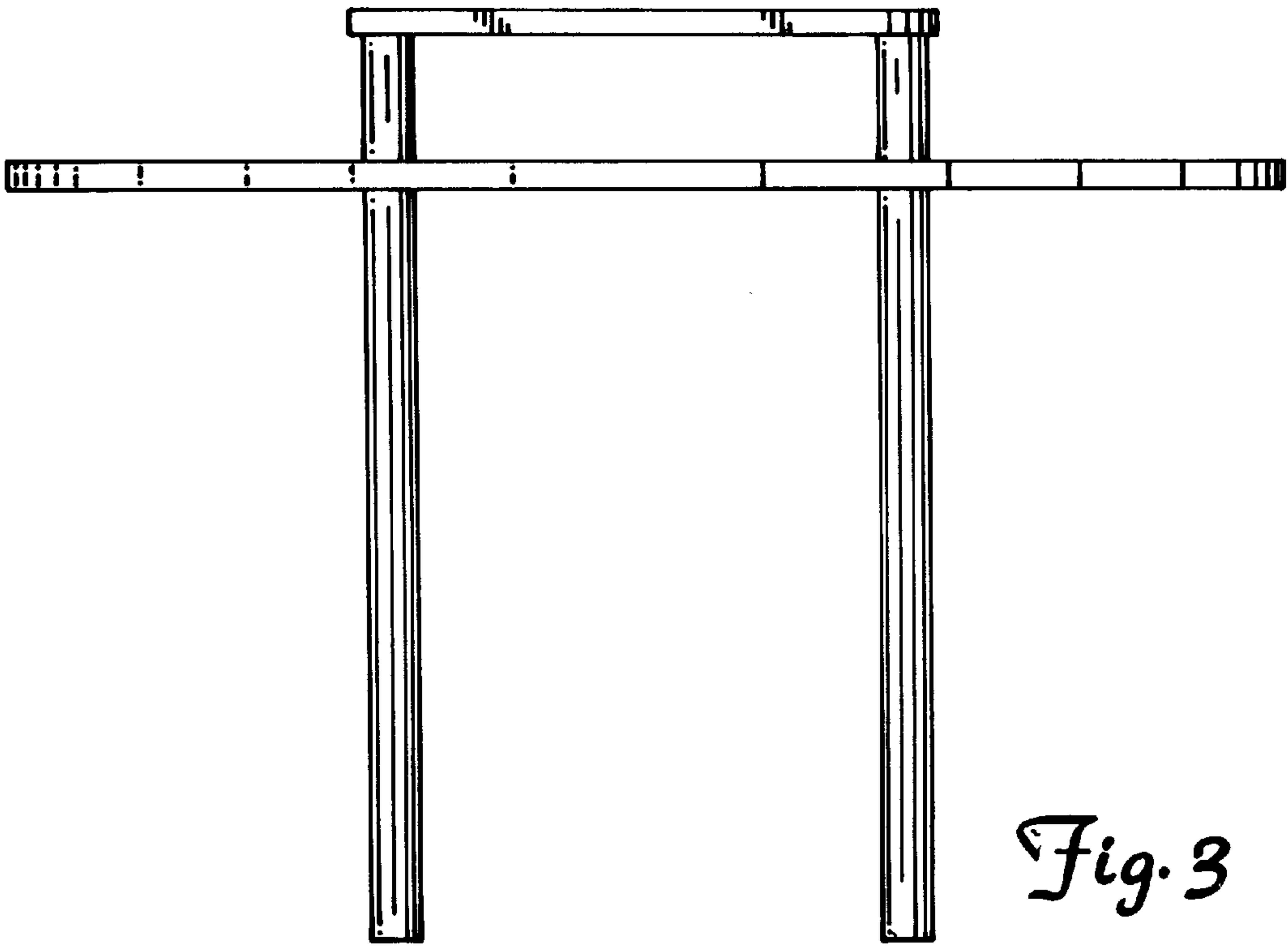


Fig. 3

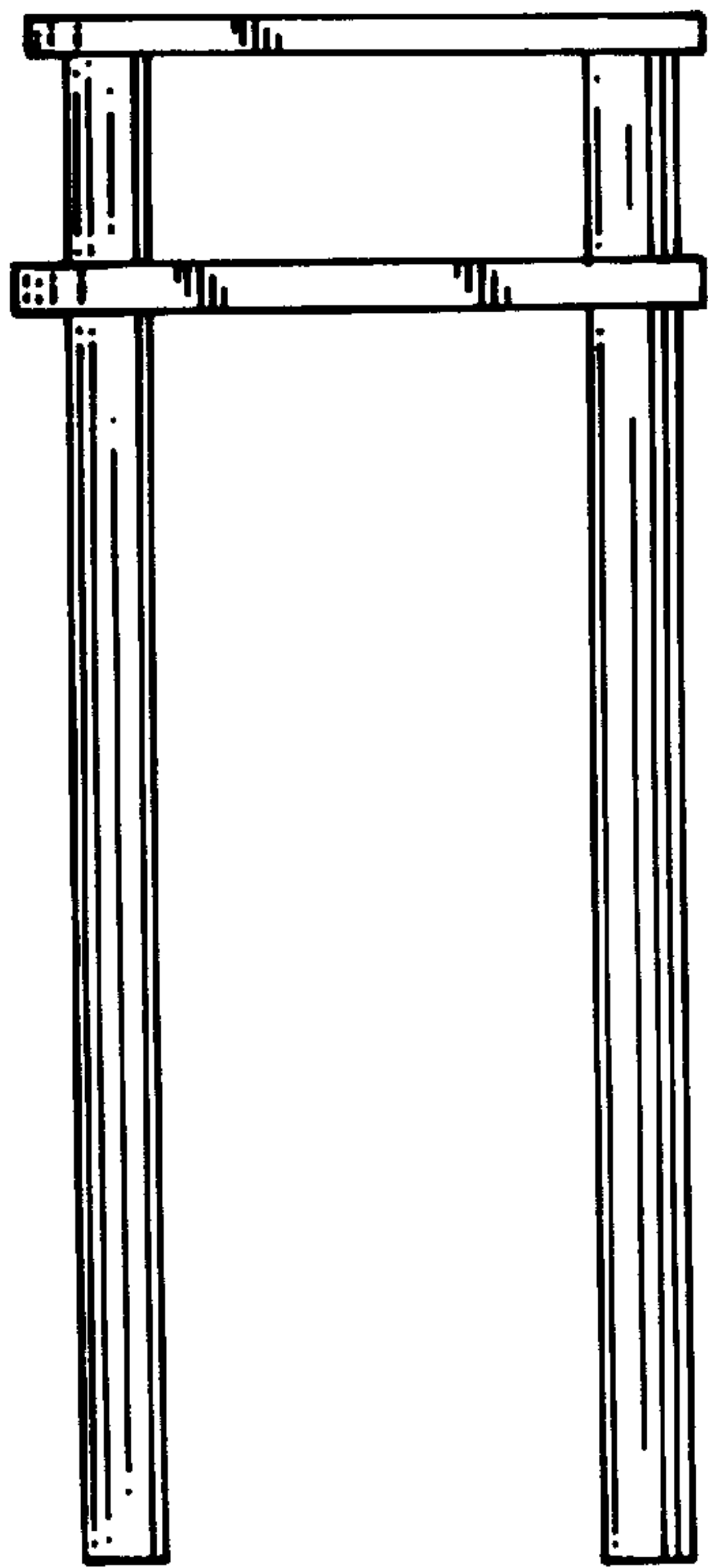


Fig. 4

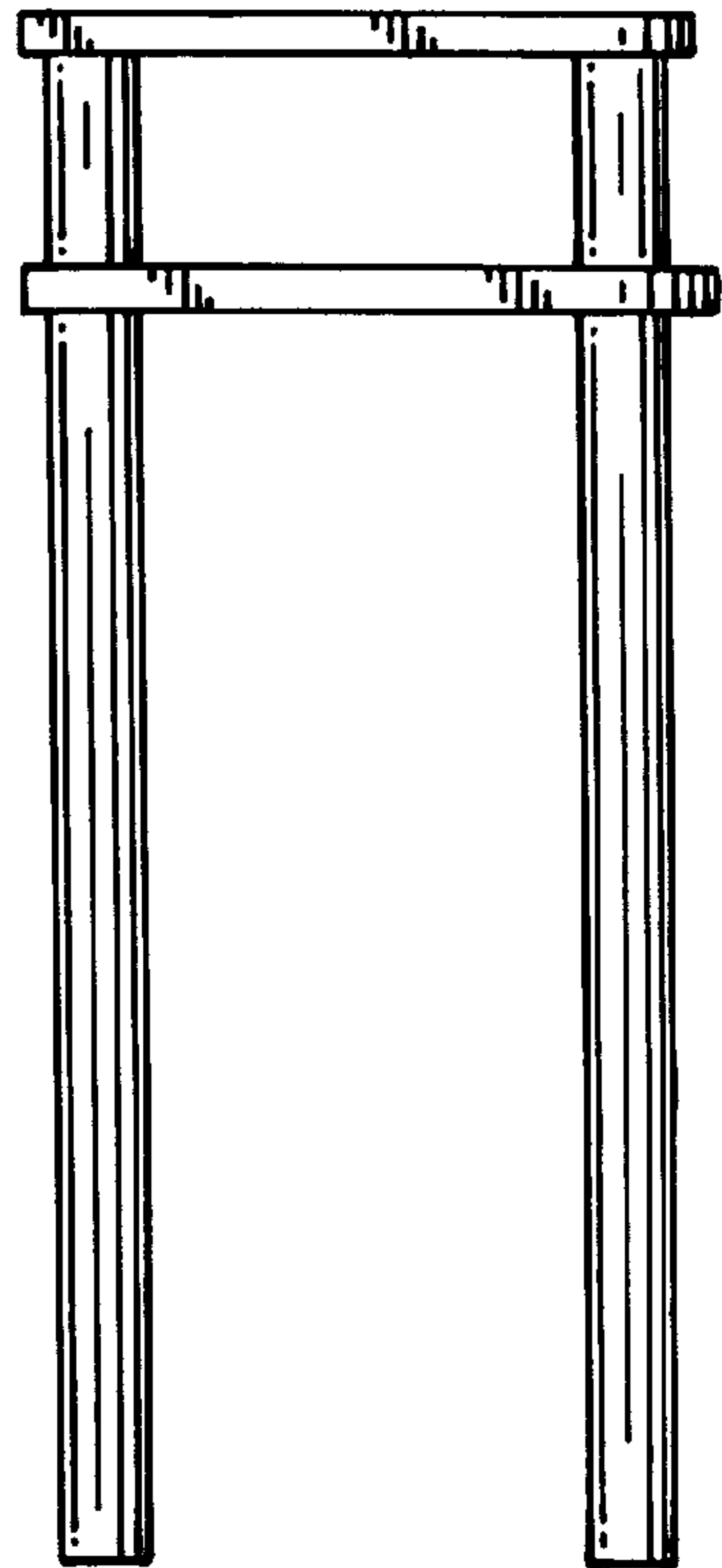


Fig. 5

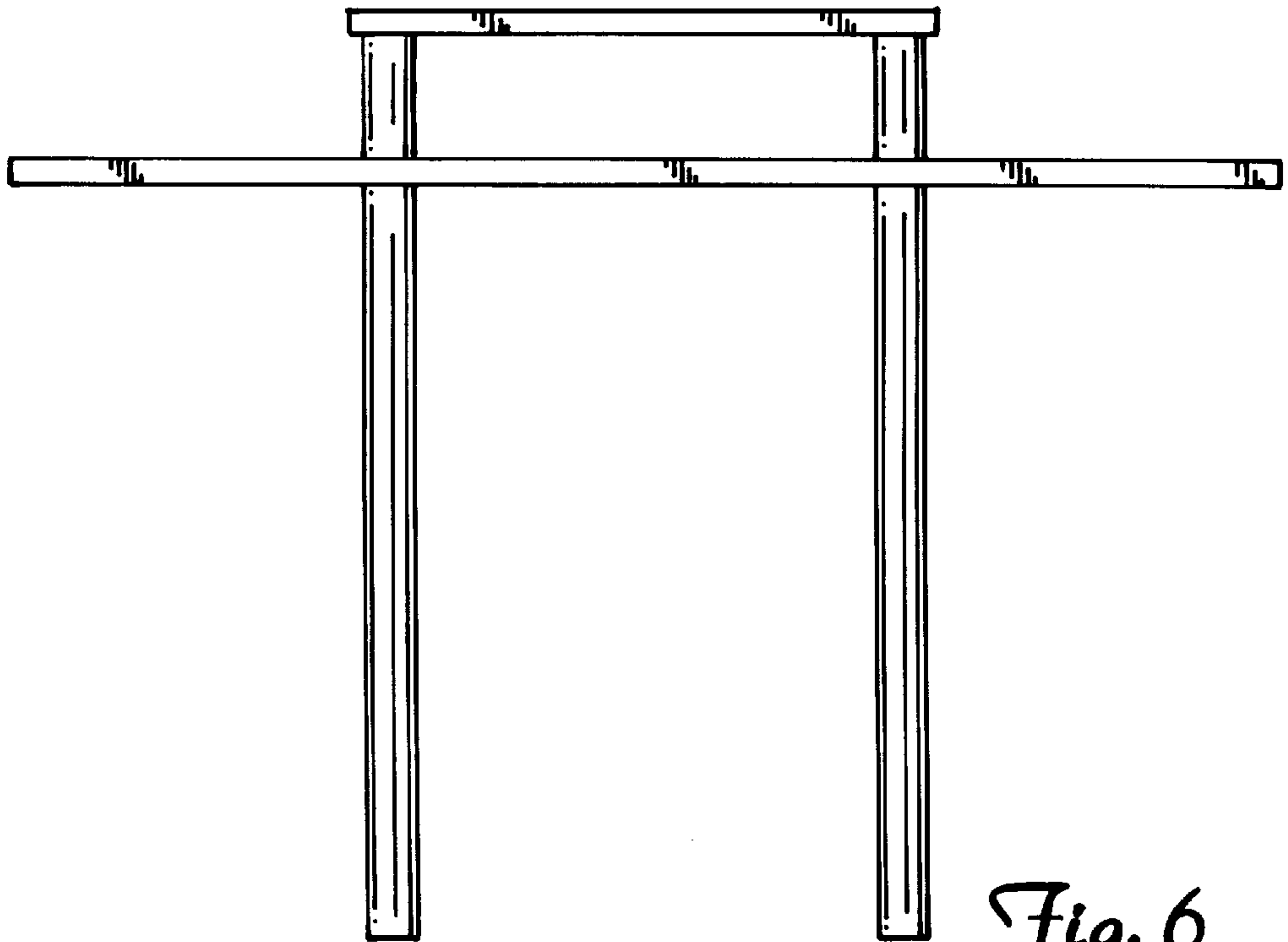


Fig. 6

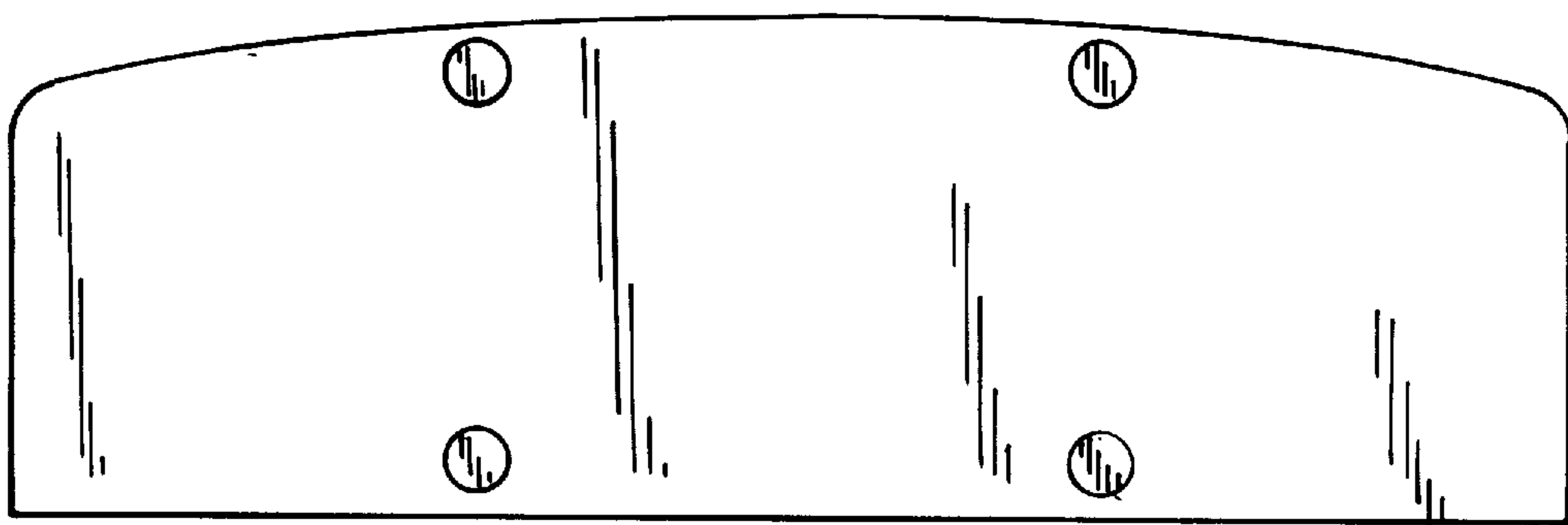


Fig. 7