



US00D429580S

United States Patent [19] Janowitz

[11] **Patent Number: Des. 429,580**

[45] **Date of Patent: ** Aug. 22, 2000**

[54] **COMPUTER WORKSTATION**

[76] Inventor: **C. Michael Janowitz**, 5 E. 59th St.,
New York, N.Y. 10022

[**] Term: **14 Years**

[21] Appl. No.: **29/109,536**

[22] Filed: **Aug. 17, 1999**

[51] **LOC (7) Cl. 06-04**

[52] **U.S. Cl. D6/426; D6/474**

[58] **Field of Search D6/422-428, 429,
D6/420, 419, 474, 477, 464; 312/194-196,
204, 208.1; 108/50.01, 50.02**

[56] **References Cited**

U.S. PATENT DOCUMENTS

D. 279,740	7/1985	Slager	D6/478
D. 286,353	10/1986	Robolin	D6/474
D. 330,297	10/1992	Keong	D6/426
5,967,631	10/1999	Ko	312/194

OTHER PUBLICATIONS

A&D Wholesale Furniture, p.M-60, table at lower right corner.
Jacob Gardner 1988, p. 72. table at top left.

Primary Examiner—Janice E. Seeger
Attorney, Agent, or Firm—Cohen, Pontani, Lieberman & Pavane

[57] **CLAIM**

The ornamental design for a computer workstation, as shown and described.

DESCRIPTION

FIG. 1 is perspective view of the computer workstation showing my new design;

FIG. 2 is a front view thereof;

FIG. 3 is a left side view thereof;

FIG. 4 is a rear view thereof;

FIG. 5 is right side view thereof;

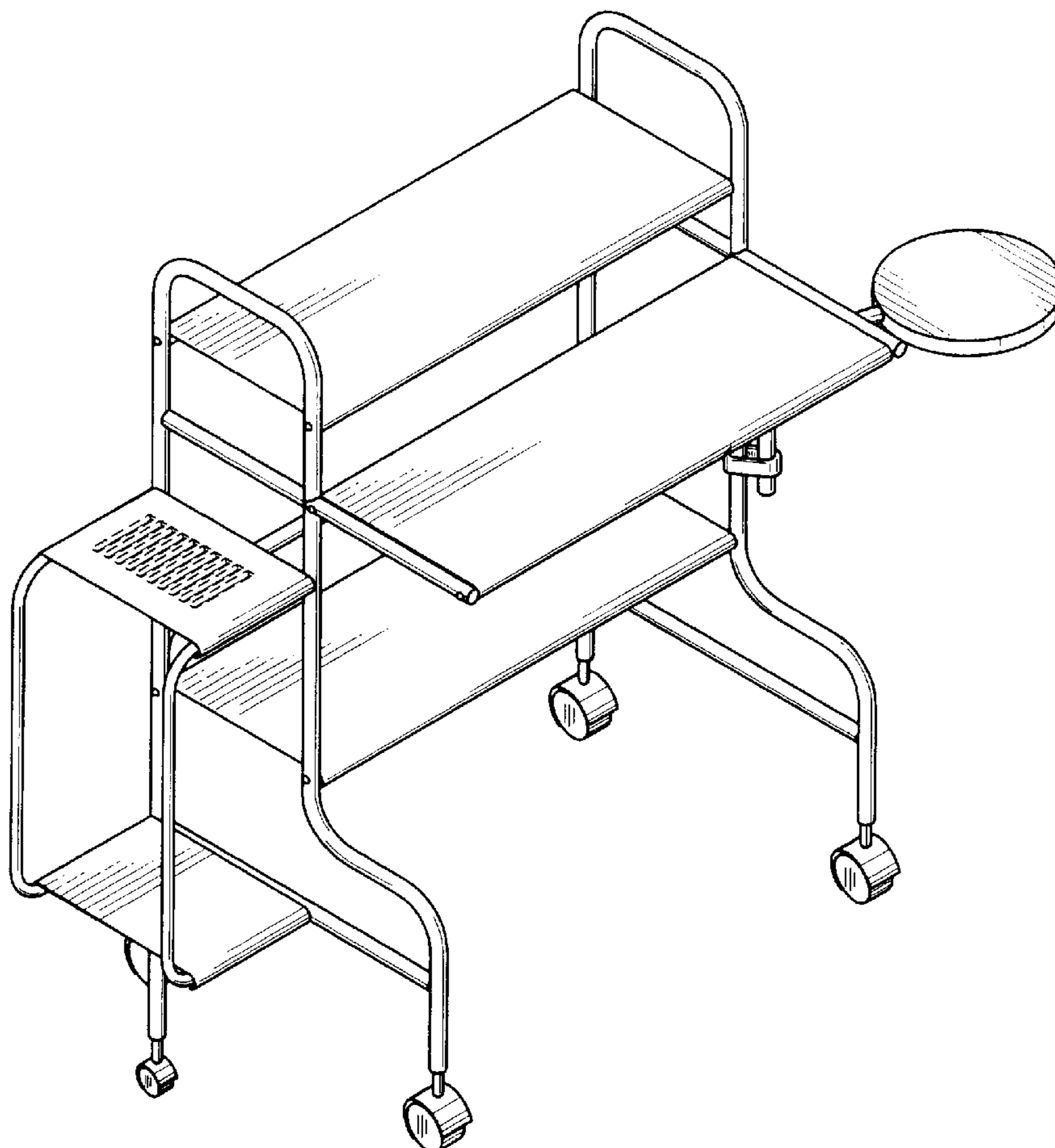
FIG. 6 is a top view thereof;

FIG. 7 is a bottom view thereof; and,

FIG. 8 is a perspective view of an alternative embodiment of the computer workstation showing my new design.

The broken lines are for environmental purposes only and form no part of the claimed design.

1 Claim, 4 Drawing Sheets



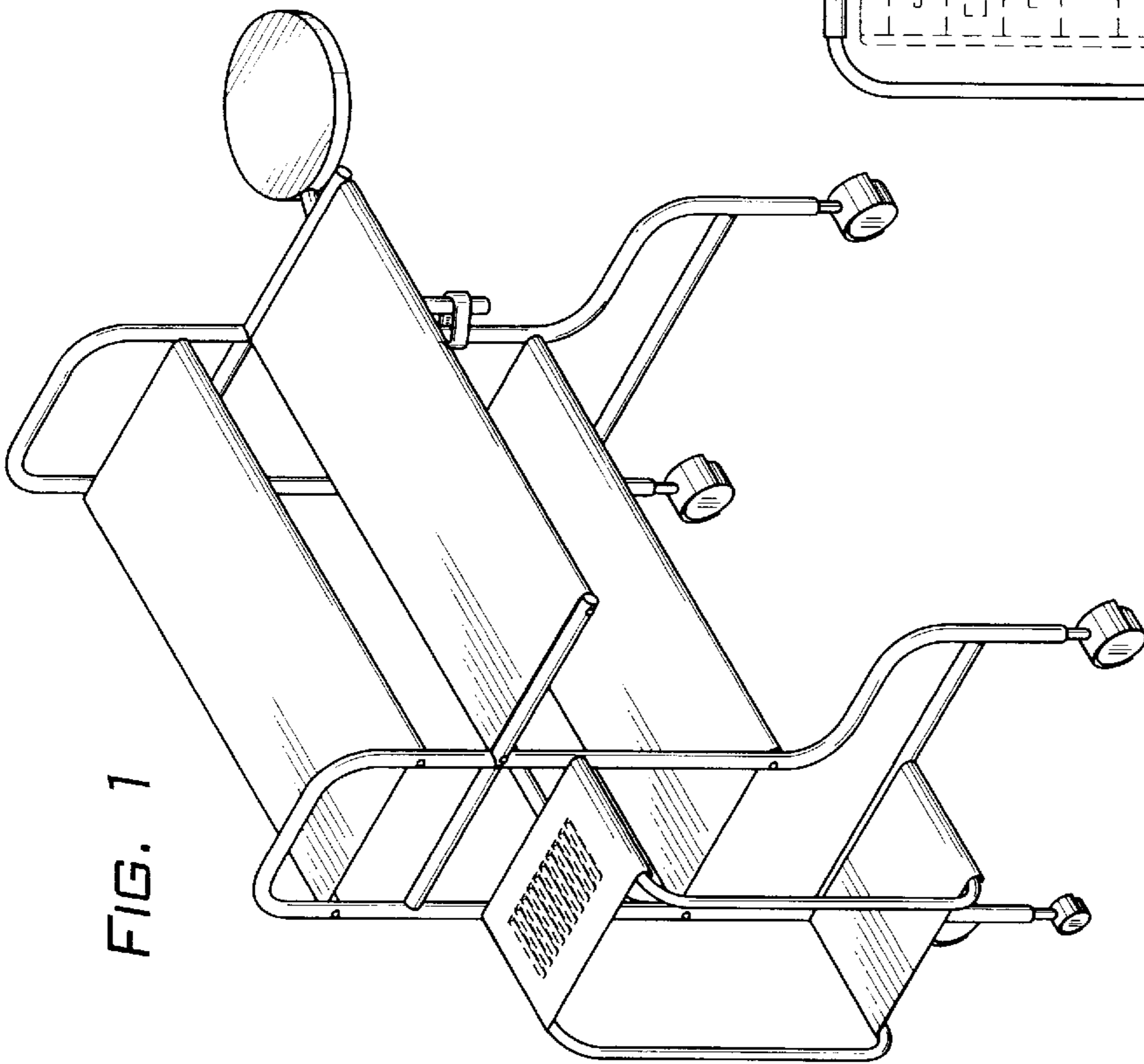


FIG. 1

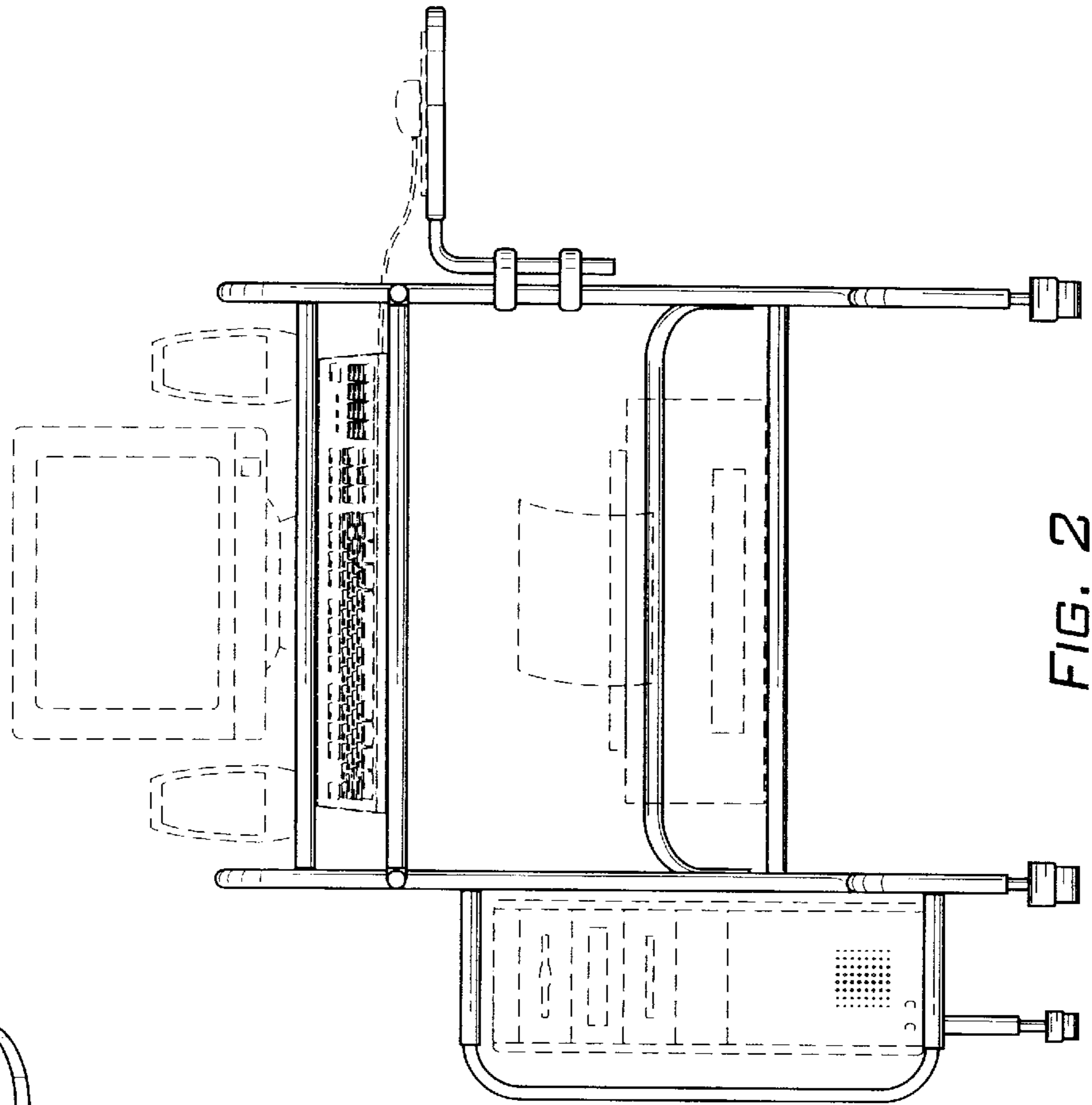


FIG. 2

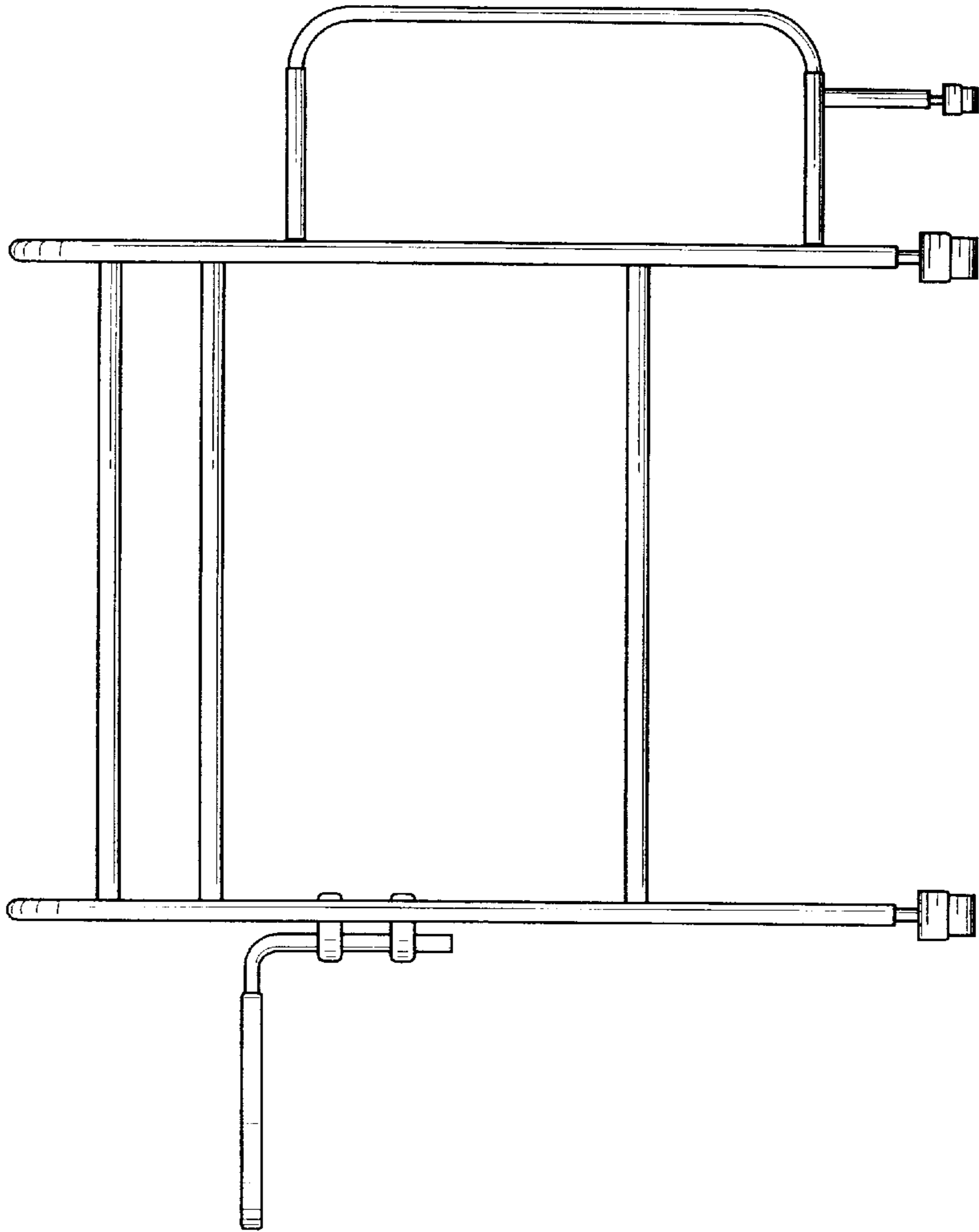


FIG. 4

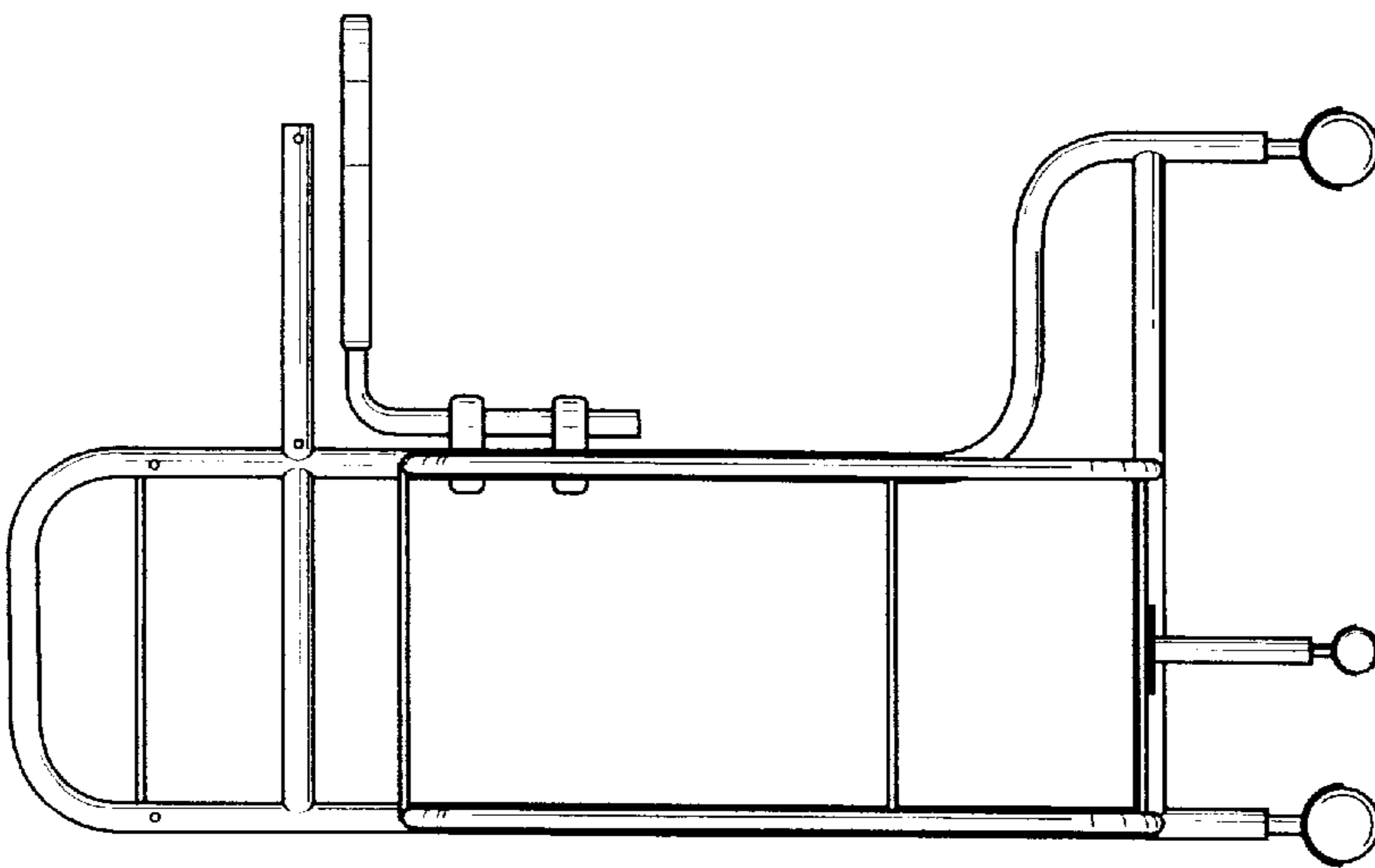


FIG. 3

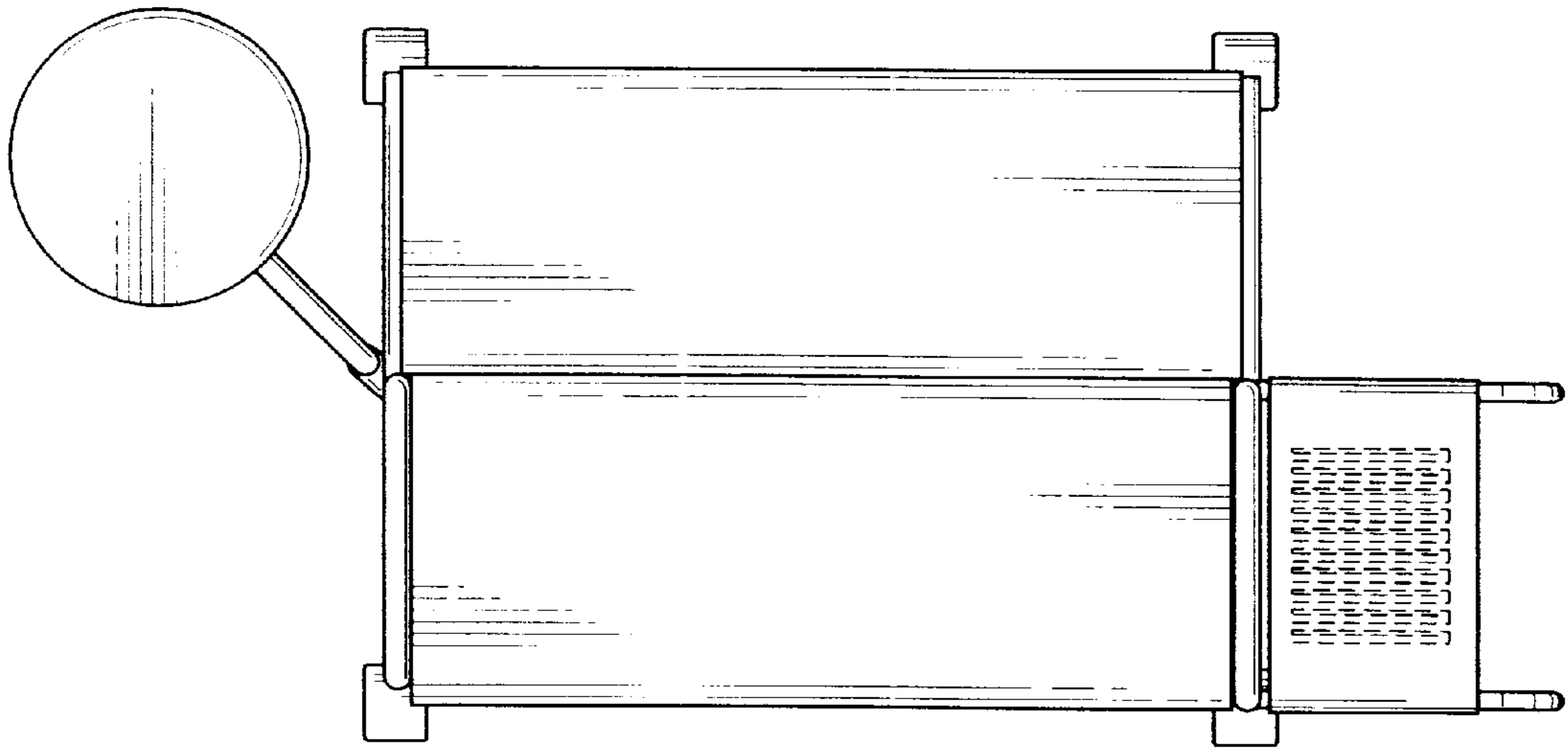


FIG. 6

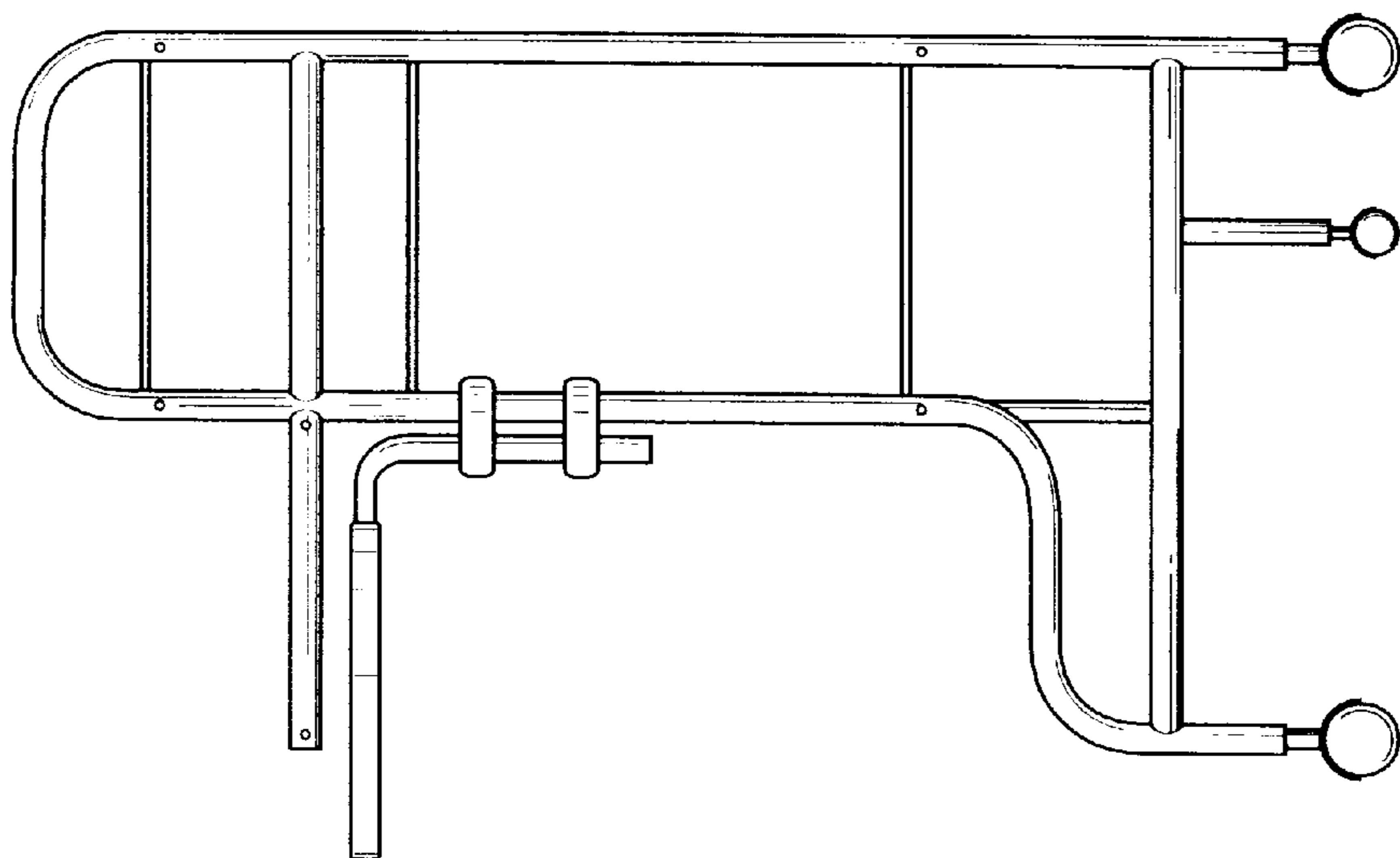


FIG. 5

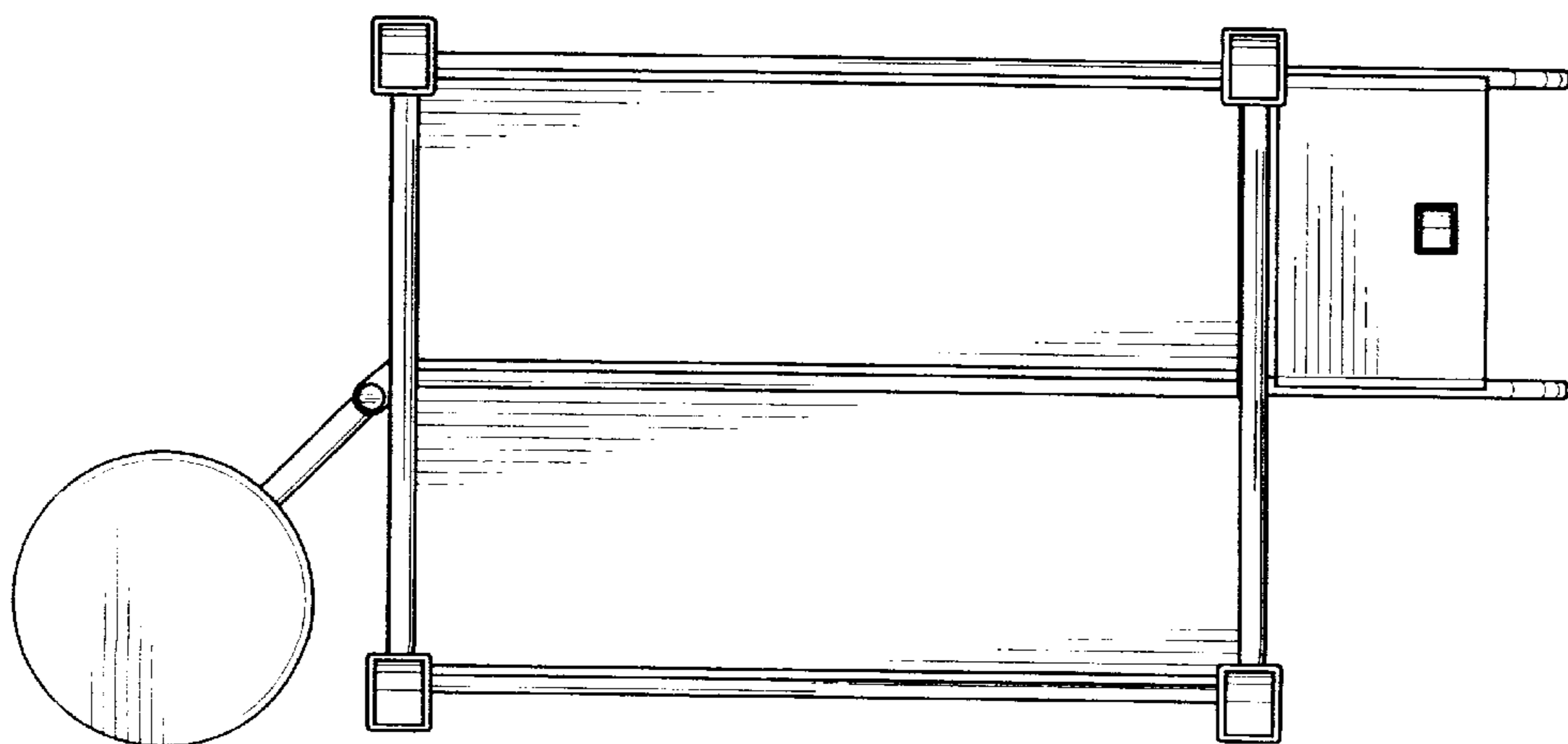


FIG. 7

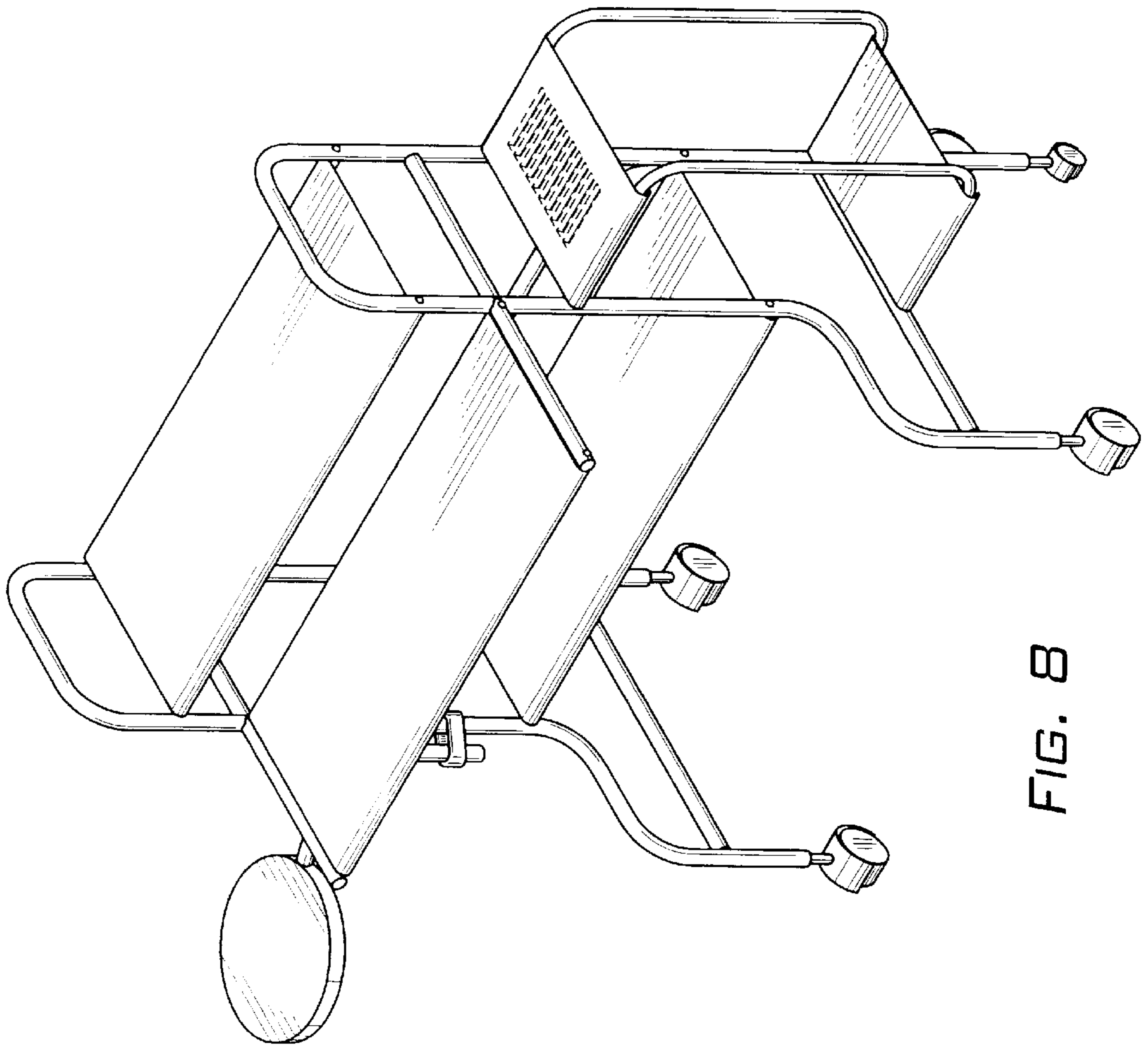


FIG. 8