



US00D429564S

# United States Patent [19] Carver

[11] Patent Number: **Des. 429,564**

[45] Date of Patent: **\*\* Aug. 22, 2000**

[54] **CHEST POUCH**

4,347,956 9/1982 Berger ..... 224/202

[75] Inventor: **John Wayne Carver**, Dittmer, Mo.

### OTHER PUBLICATIONS

Signatures Catalog, Safe It All Money Pouch, Mar. 1997.

[73] Assignee: **Eagle Industries Unlimited, Inc.**,  
Fenton, Mo.

*Primary Examiner*—Louis S. Zarfaz

*Assistant Examiner*—Catherine R. Oliver

[\*\*] Term: **14 Years**

*Attorney, Agent, or Firm*—Blackwell Sanders Peper Martin

[21] Appl. No.: **29/110,895**

### [57] CLAIM

[22] Filed: **Sep. 15, 1999**

The ornamental design for a chest pouch, as shown and described.

[51] **LOC (7) Cl.** ..... **03-01**

### DESCRIPTION

[52] **U.S. Cl.** ..... **D3/226**

[58] **Field of Search** ..... D3/215, 224, 226,  
D3/228, 233, 216, 217, 218, 219; 224/908,  
909, 606, 160, 623, 660, 202

FIG. 1 is a front elevational view of a chest pouch showing my new design;

FIG. 2 is a back elevational view thereof;

FIG. 3 is a side elevational view thereof, taken from the right side shown in FIG. 2;

FIG. 4 is an opposite side elevational view thereof;

FIG. 5 is a top plan view of my design as shown in FIG. 2;

FIG. 6 is a bottom plan view thereof; and,

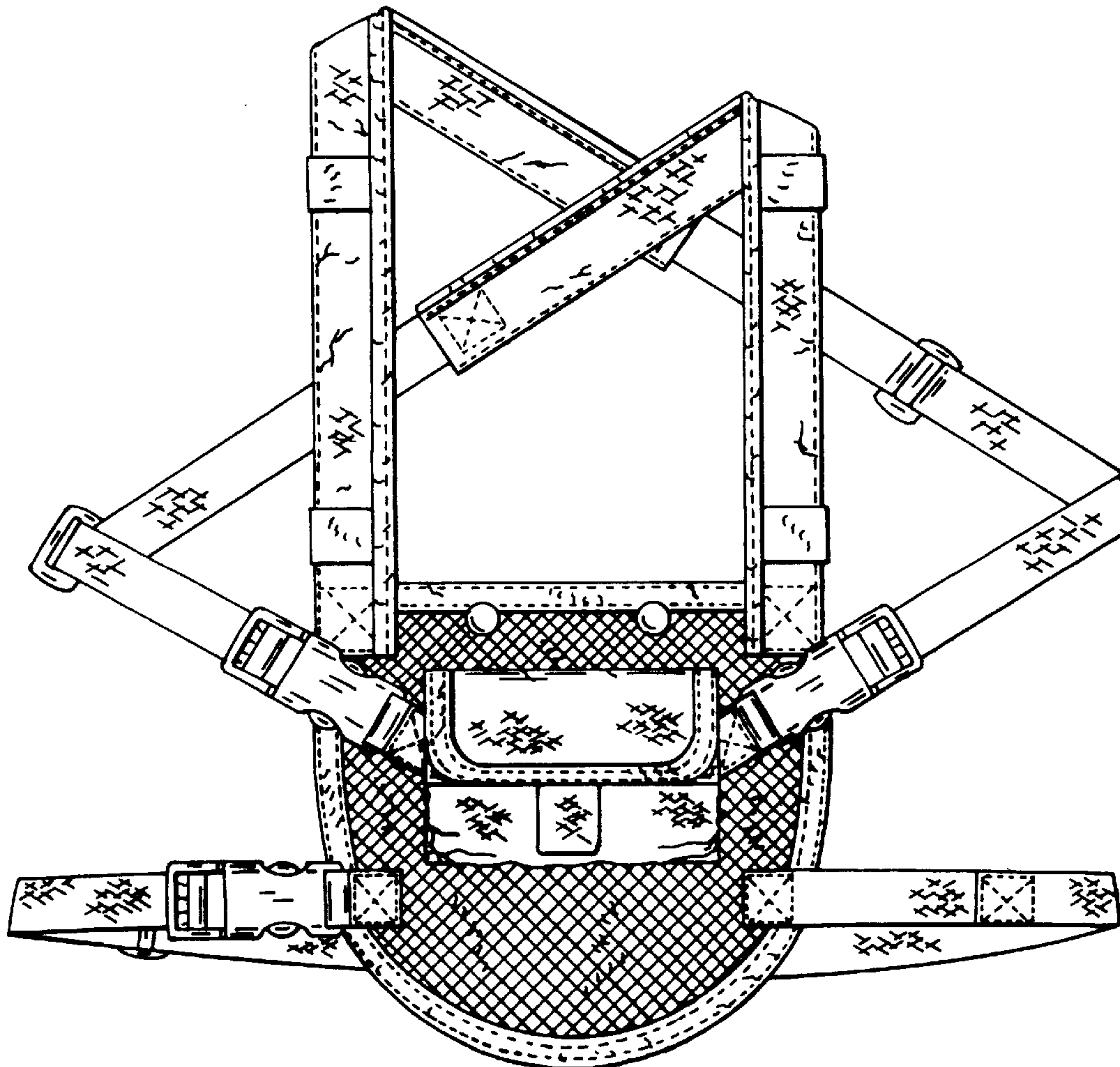
FIG. 7 is top plan view thereof, showing the pouch portion open.

### [56] References Cited

#### U.S. PATENT DOCUMENTS

D. 254,518	3/1980	Taggart	.....	D3/216
D. 351,061	10/1994	Coons	.....	D3/219
D. 358,252	5/1995	Harris, Jr.	.....	D3/226
D. 375,623	11/1996	Pearl-Lee	.....	D3/226
D. 378,163	2/1997	Clissold	.....	D3/218
D. 395,163	6/1998	Huang	.....	D3/226

**1 Claim, 5 Drawing Sheets**



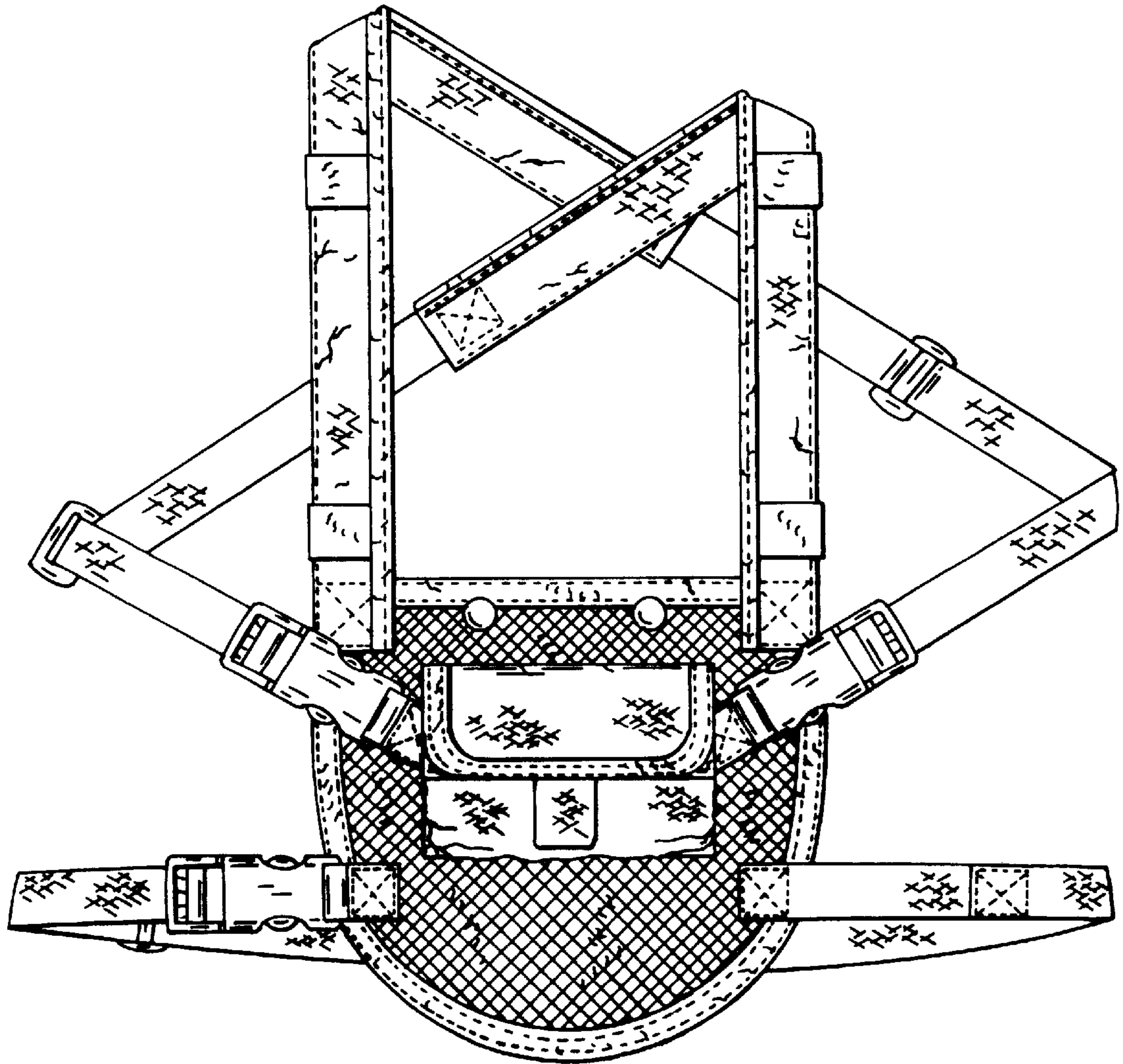


FIG. 1

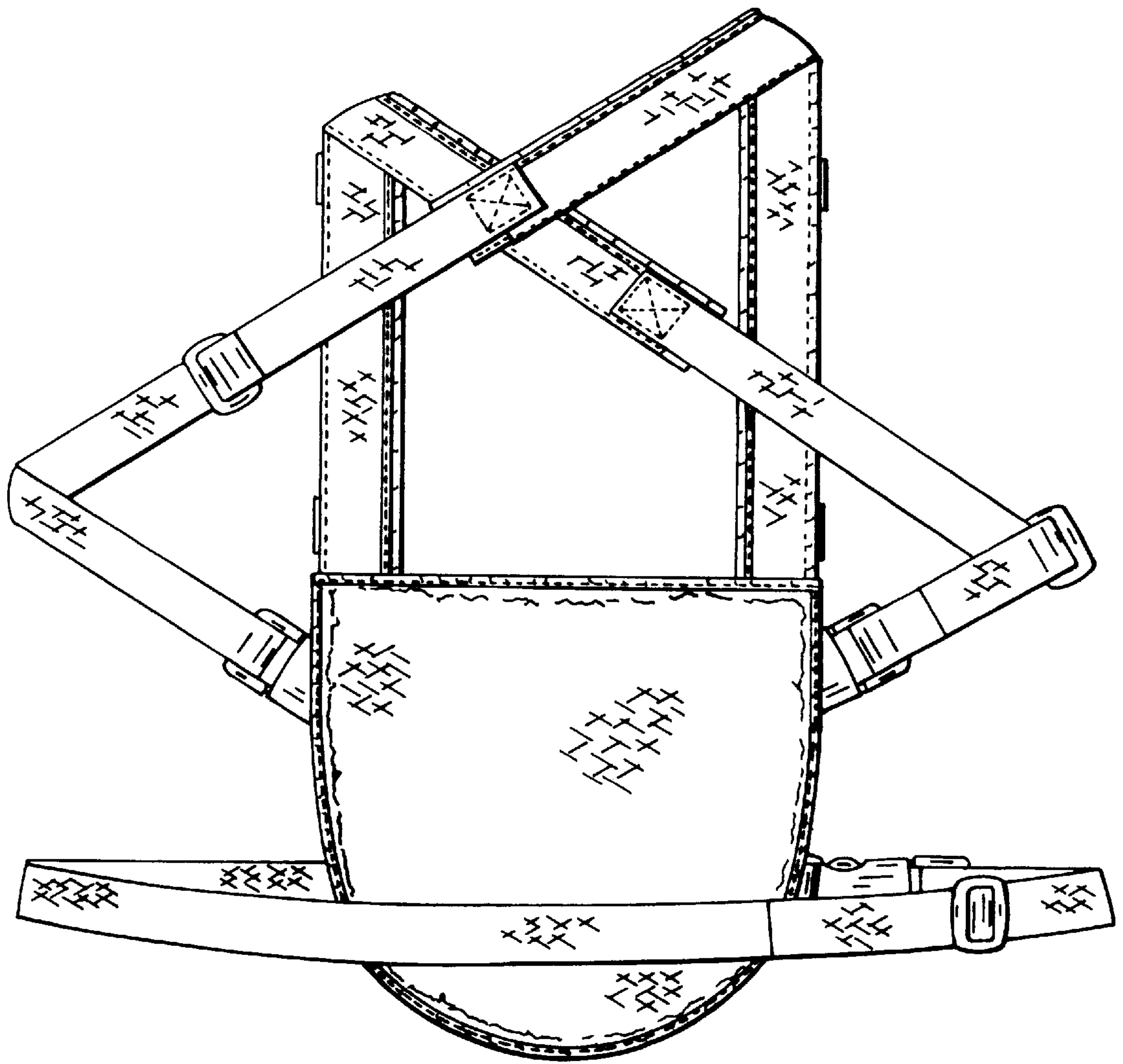


FIG. 2



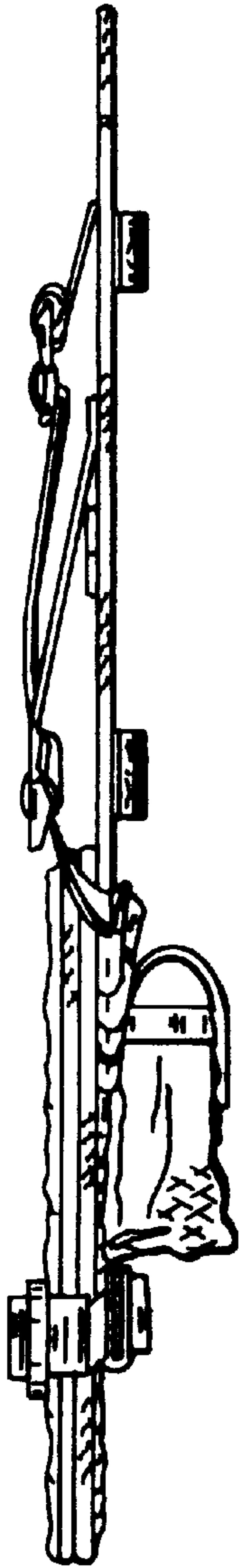


FIG. 3

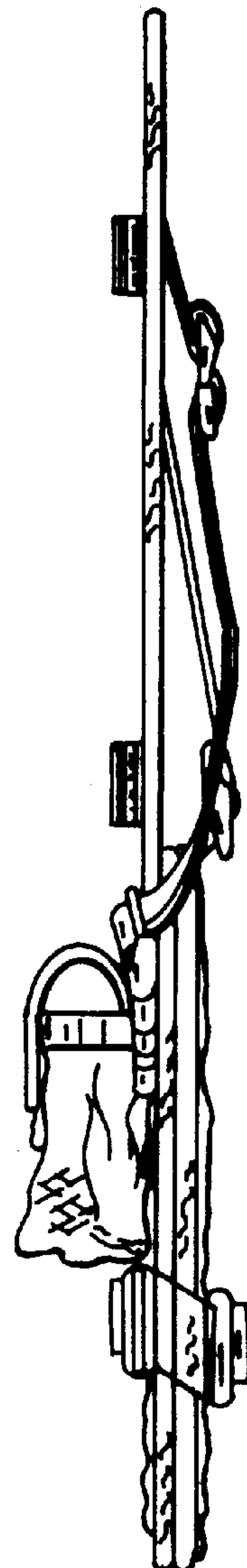


FIG. 4

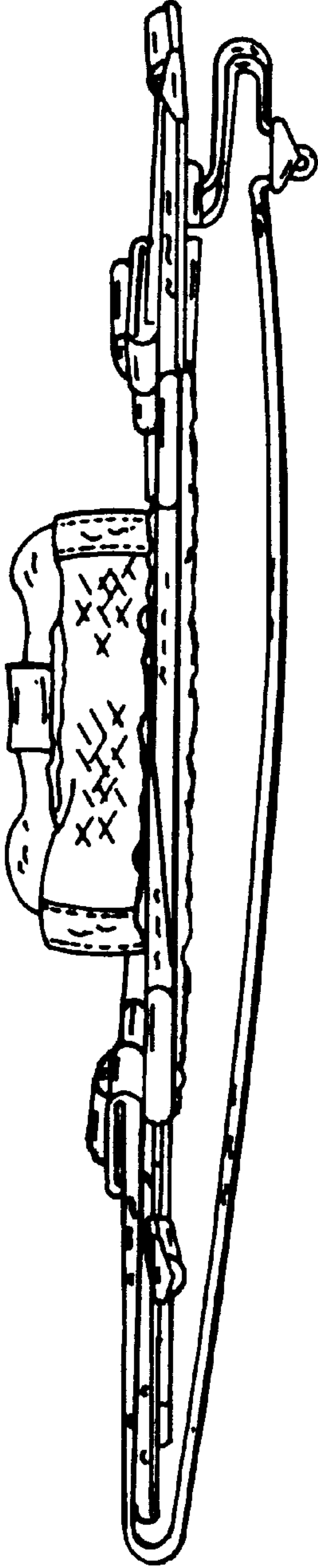


FIG. 5

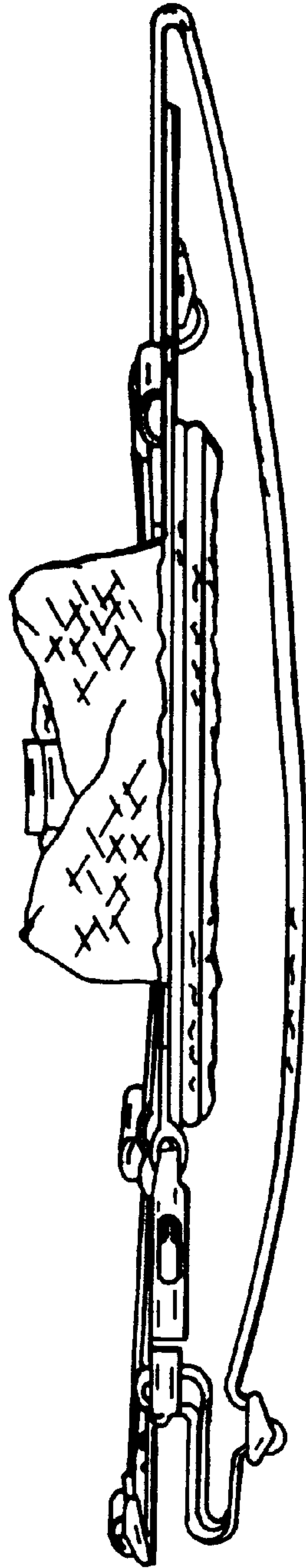


FIG. 6

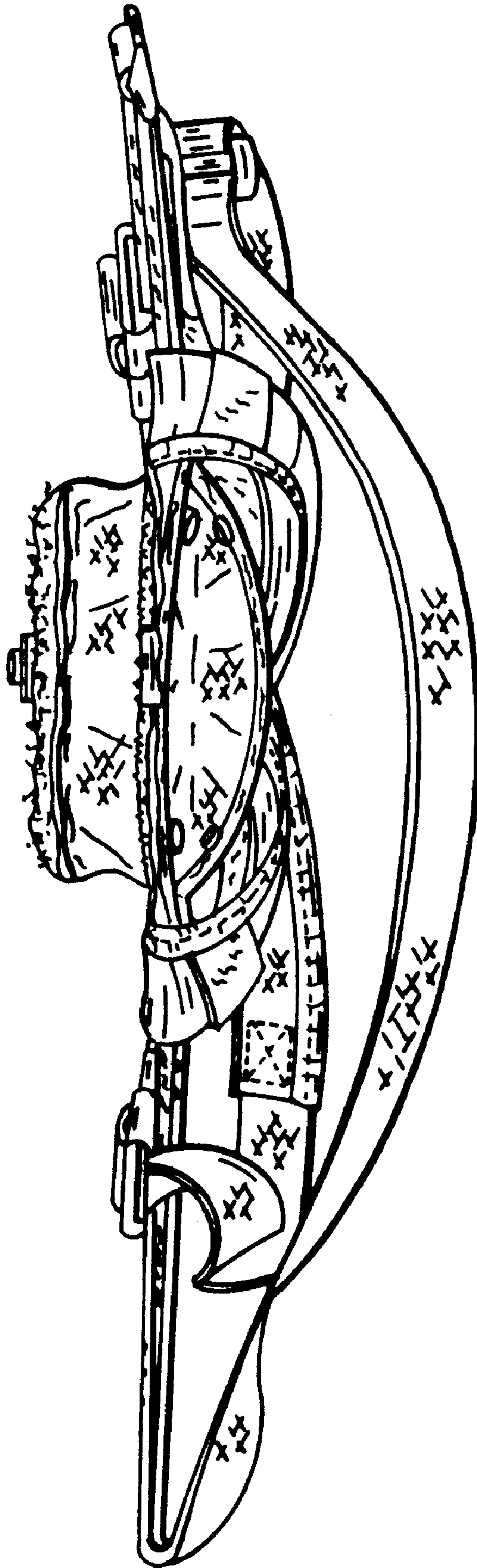


FIG. 7