



US00D429560S

United States Patent [19]
Apple

[11] **Patent Number: Des. 429,560**

[45] **Date of Patent: ** Aug. 22, 2000**

[54] **POUCH FOR SEWING AND QUILTING ACCESSORIES**

D. 139,486 11/1944 Koch D3/20
D. 296,616 7/1988 Pangburn D3/243
2,687,159 8/1954 Dobbs et al. 150/150

[76] Inventor: **Judy A. Apple**, 2945 Clark Rd.,
Ypsilanti, Mich. 48197

Primary Examiner—Louis S. Zarfes
Assistant Examiner—Catherine R. Oliver
Attorney, Agent, or Firm—James M. Deimen

[**] Term: **14 Years**

[57] **CLAIM**

[21] Appl. No.: **29/112,743**

The ornamental design for a pouch for sewing and quilting accessories, as shown and described.

[22] Filed: **Oct. 22, 1999**

DESCRIPTION

[51] **LOC (7) Cl.** **03-01**

[52] **U.S. Cl.** **D3/20**

[58] **Field of Search** D3/20, 215, 201,
D3/203, 205, 243, 251, 252; 150/150, 152,
131

FIG. 1 is a front elevational view of a pouch for sewing and quilting accessories showing my new design;
FIG. 2 is a rear elevational view;
FIG. 3 is a right side view;
FIG. 4 is a left side view;
FIG. 5 is a top plan view; and,
FIG. 6 is a bottom plan view.

[56] **References Cited**

U.S. PATENT DOCUMENTS

D. 126,995 5/1941 Wright D3/251
D. 136,648 11/1943 Schwalbe D3/20

1 Claim, 1 Drawing Sheet

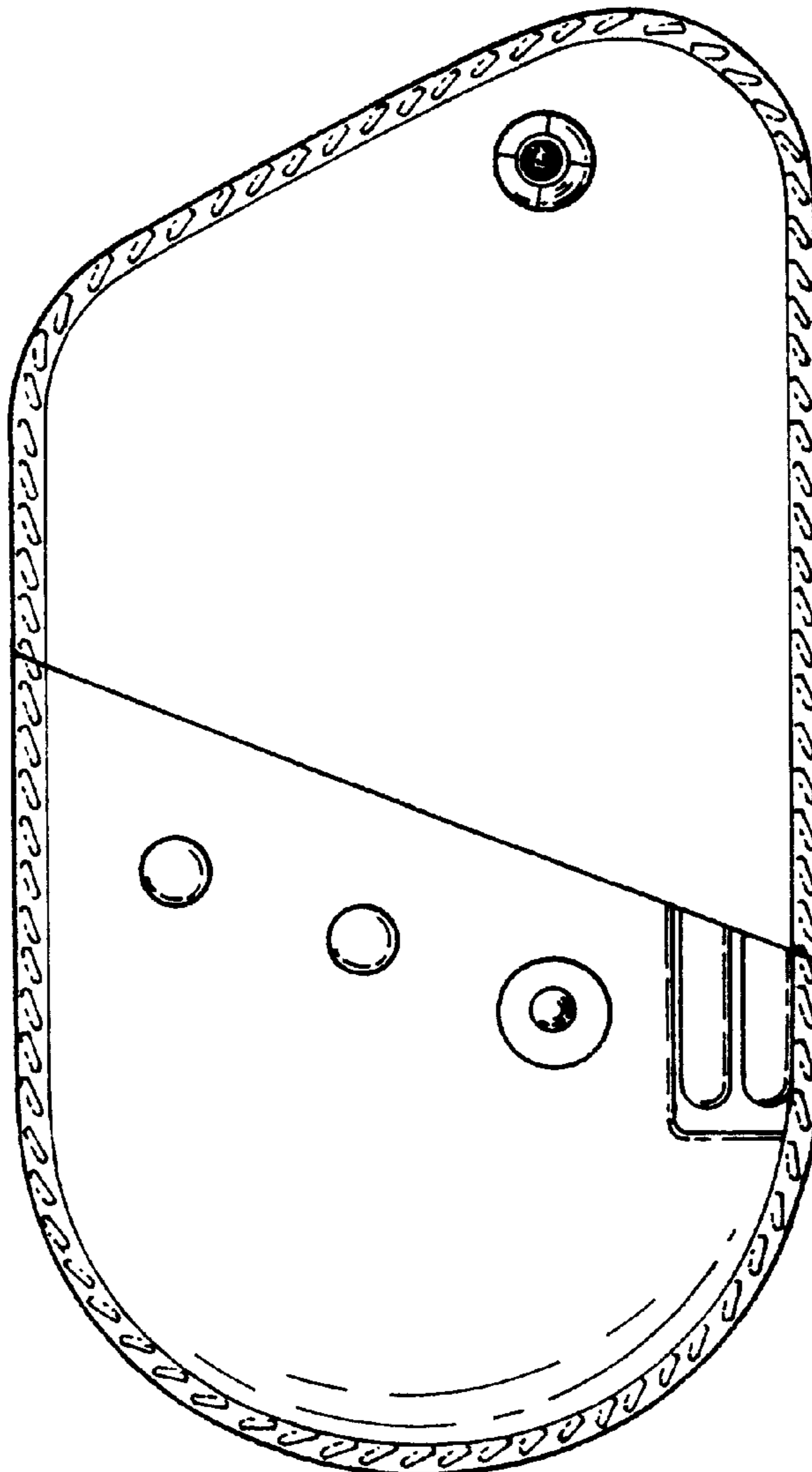


FIG 1

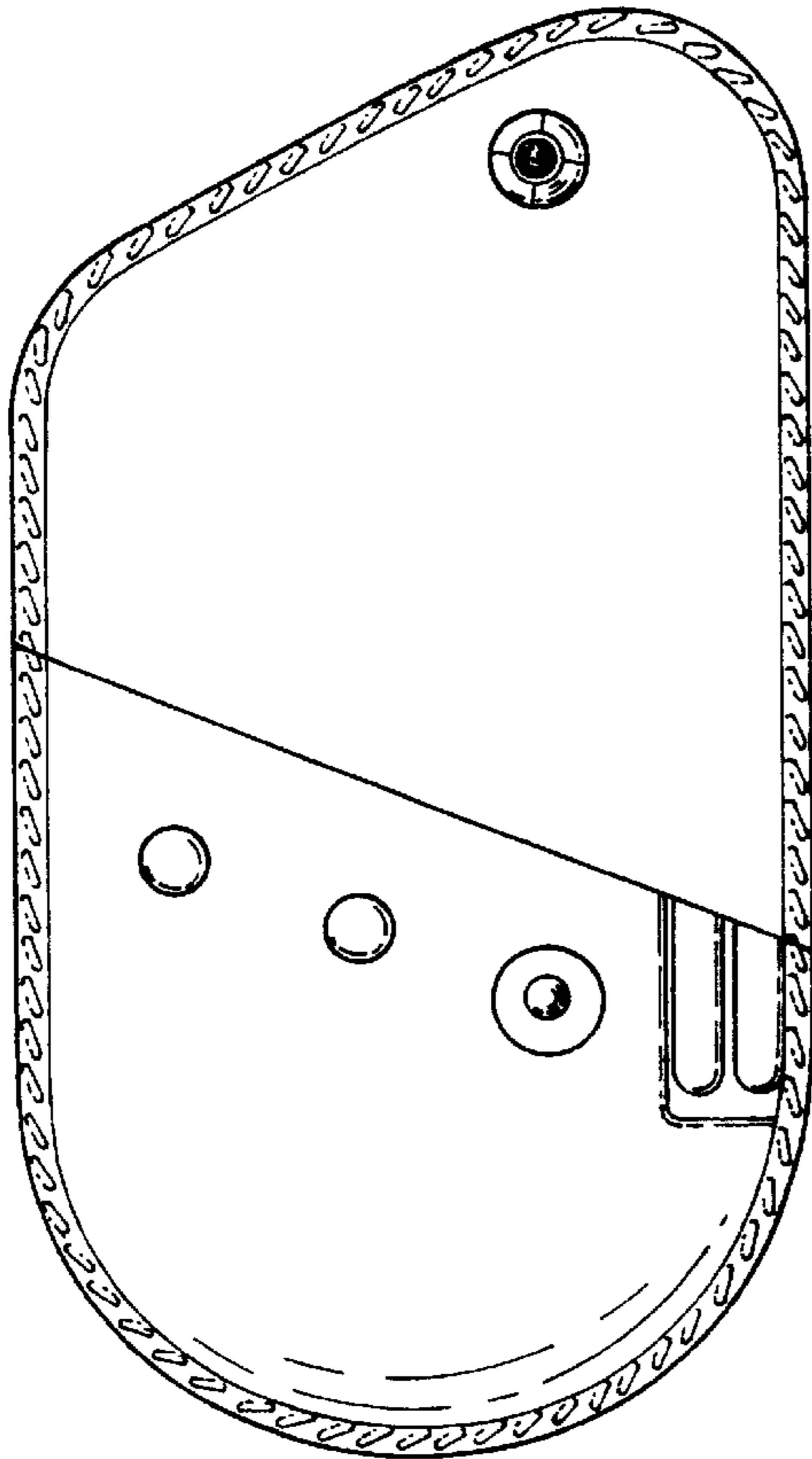


FIG 2

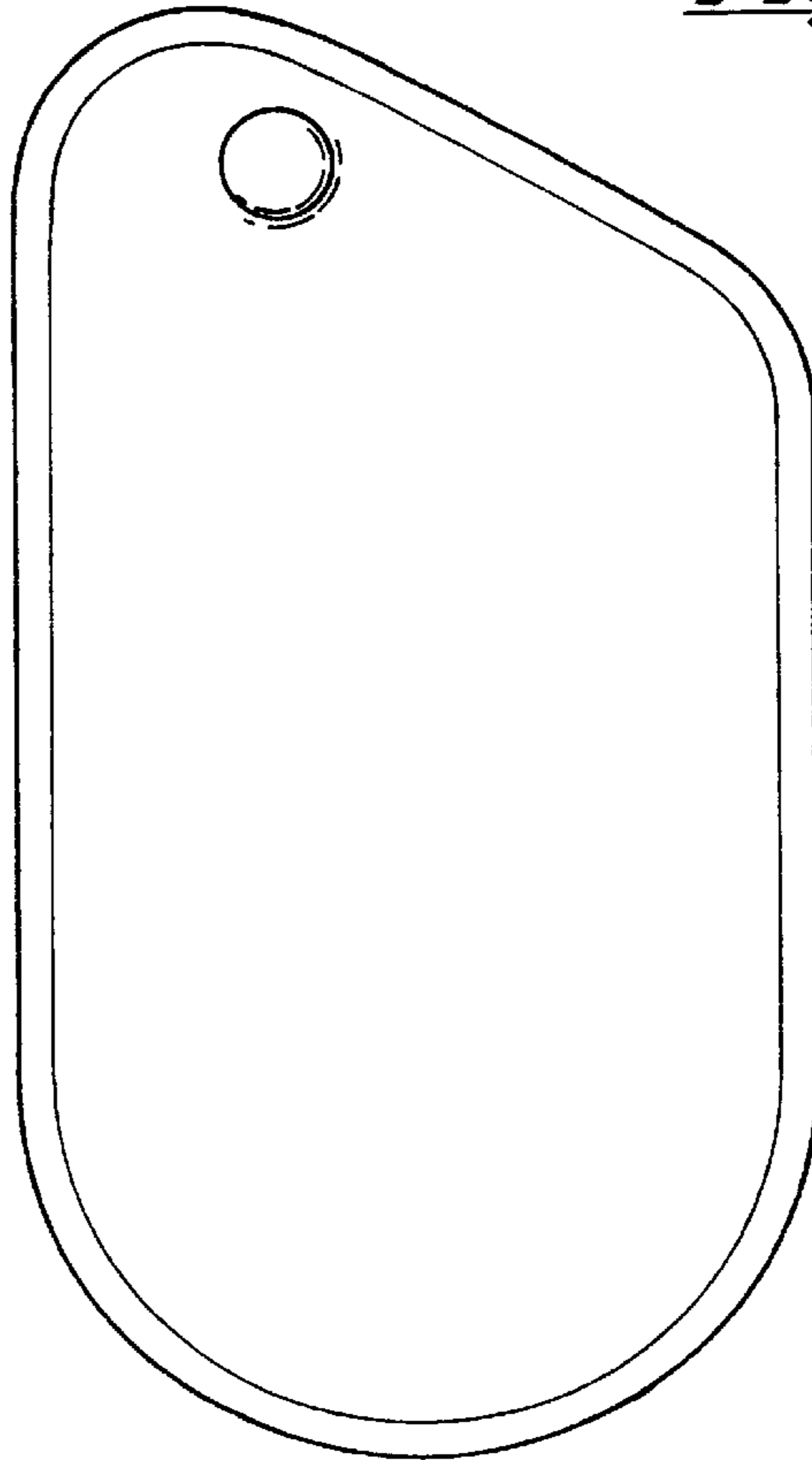


FIG 3 FIG 4

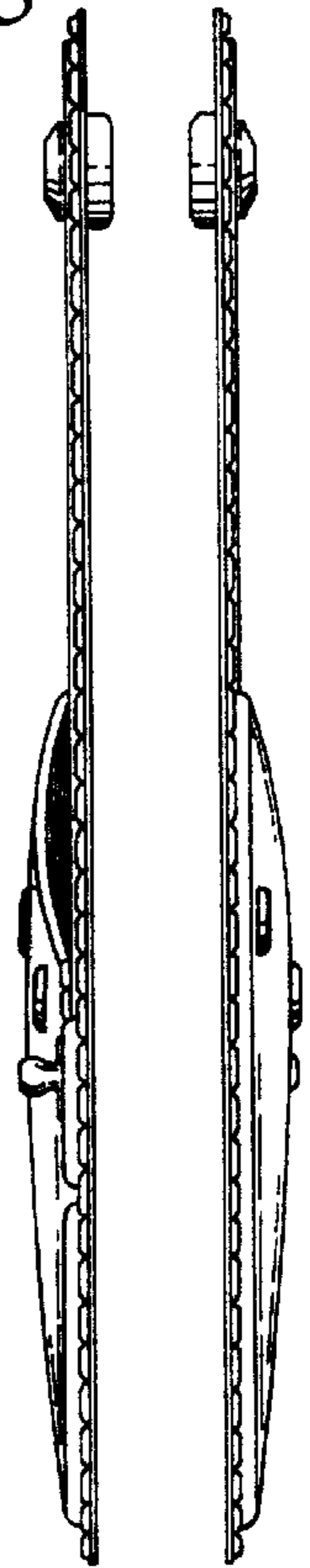


FIG 5



FIG 6

