



US00D429546S

United States Patent [19] Glass

[11] **Patent Number: Des. 429,546**

[45] **Date of Patent: ** Aug. 15, 2000**

[54] **PROJECTOR CART**

[75] Inventor: **Peter Glass**, Napa, Calif.

[73] Assignee: **Virco Mfg. Corporation**, Torrance, Calif.

[**] Term: **14 Years**

[21] Appl. No.: **29/100,469**

[22] Filed: **Feb. 11, 1999**

[51] **LOC (7) Cl.** **12-02**

[52] **U.S. Cl.** **D34/21; D34/20**

[58] **Field of Search** D34/12-27; 280/79.2, 280/47.35, 47.34, 659, 79.3; 312/250, 283, 319, 333; D6/445, 448, 449, 479; 108/156, 50.02, 158; 248/188.8, 188.2, 188

[56] **References Cited**

U.S. PATENT DOCUMENTS

D. 275,044 8/1984 Hampshire et al. D34/21

D. 300,491 4/1989 Grossman D6/479
D. 341,914 11/1993 Reiner D34/21
D. 344,382 2/1994 Conaway et al. D34/21
D. 410,578 6/1999 Tisbo et al. D34/21

Primary Examiner—Kay H. Chin
Attorney, Agent, or Firm—James E. Brunton

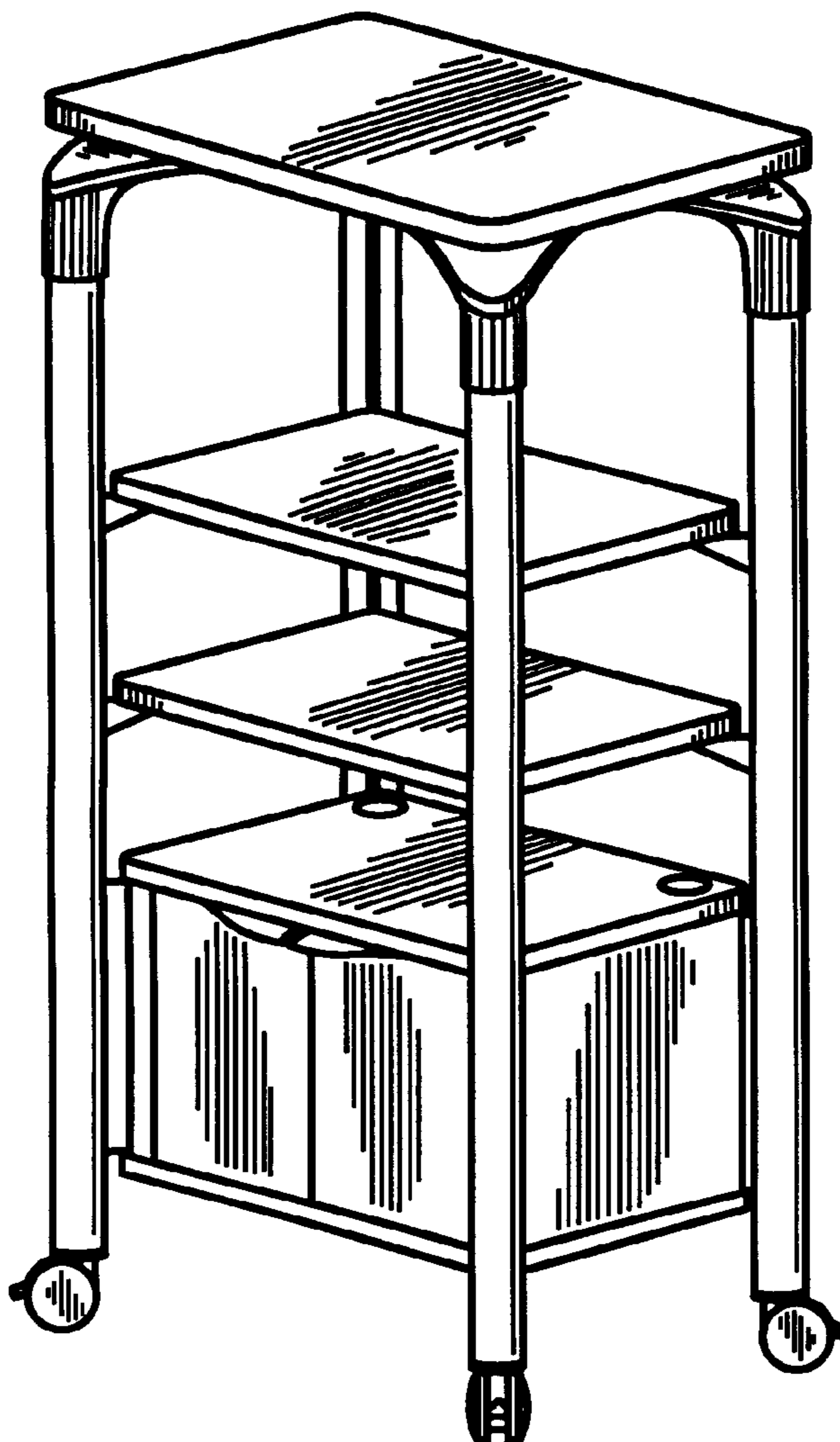
[57] **CLAIM**

The ornamental design for a “projector cart”, as shown.

DESCRIPTION

FIG. 1 is a generally perspective view of a projector cart showing my new design;
FIG. 2 is a front view thereof;
FIG. 3 is a rear view thereof;
FIG. 4 is a right side view thereof;
FIG. 5 is a left side view thereof;
FIG. 6 is a top plan view thereof; and,
FIG. 7 is a bottom view thereof.

1 Claim, 2 Drawing Sheets



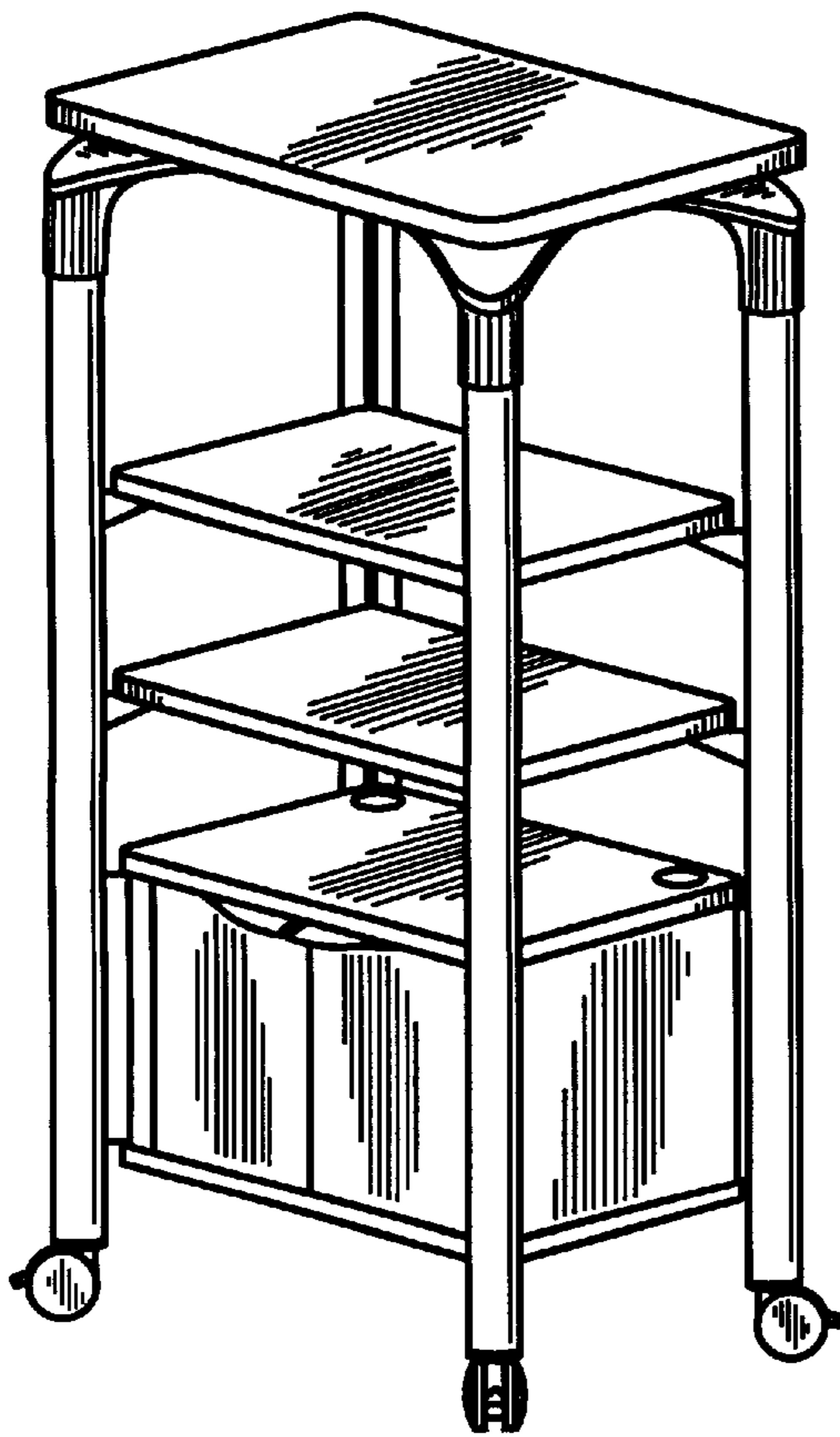


Figure 1

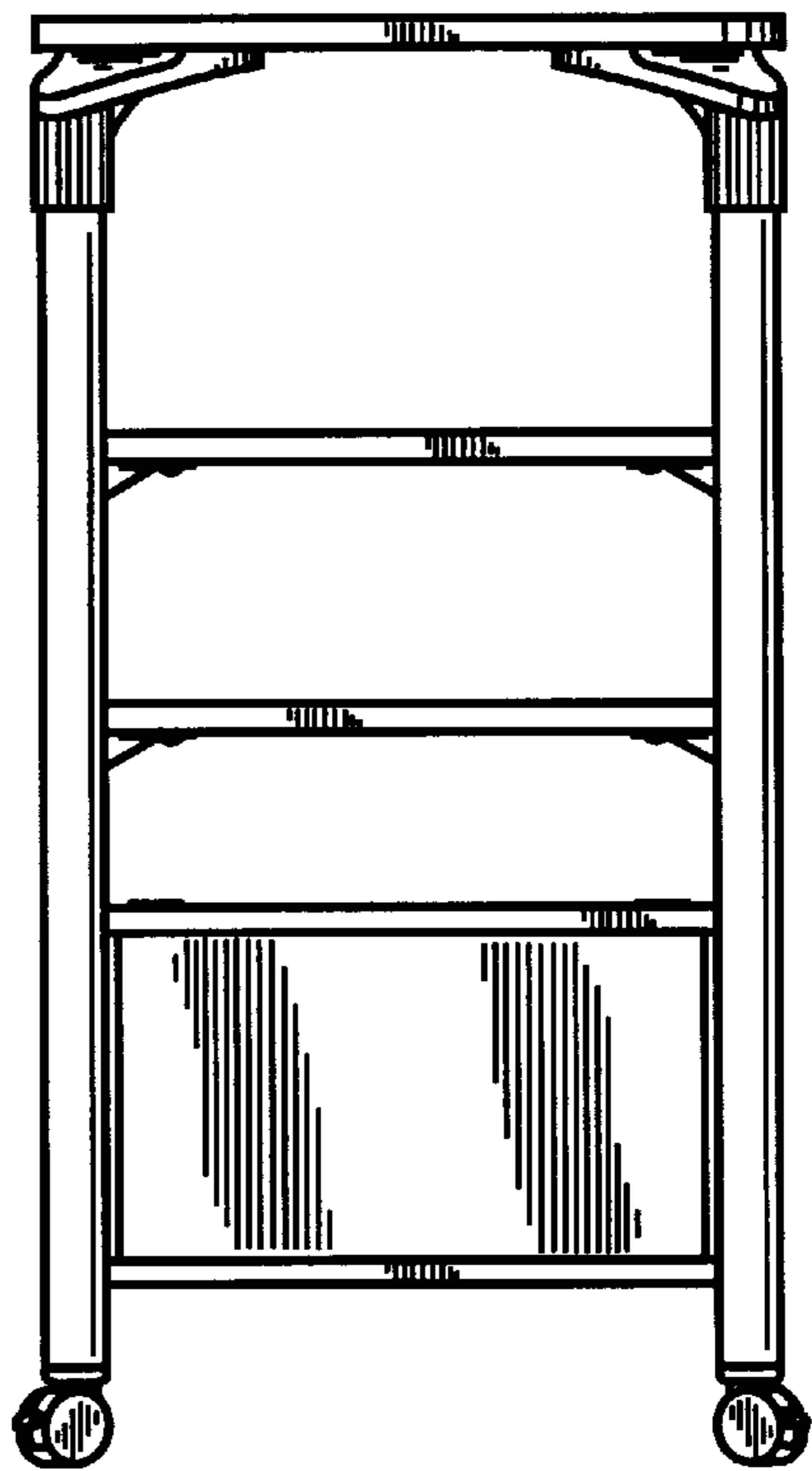


Figure 3

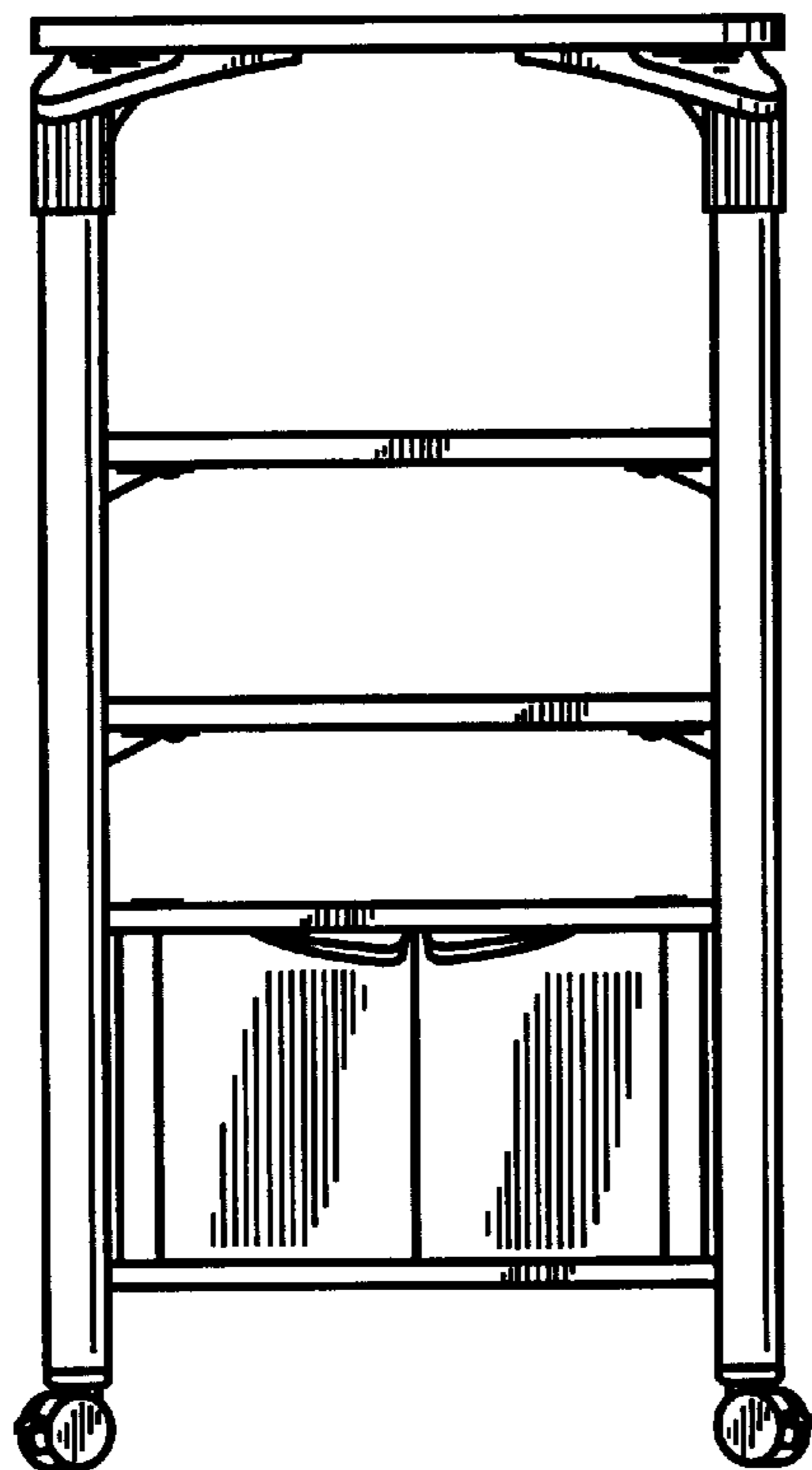


Figure 2

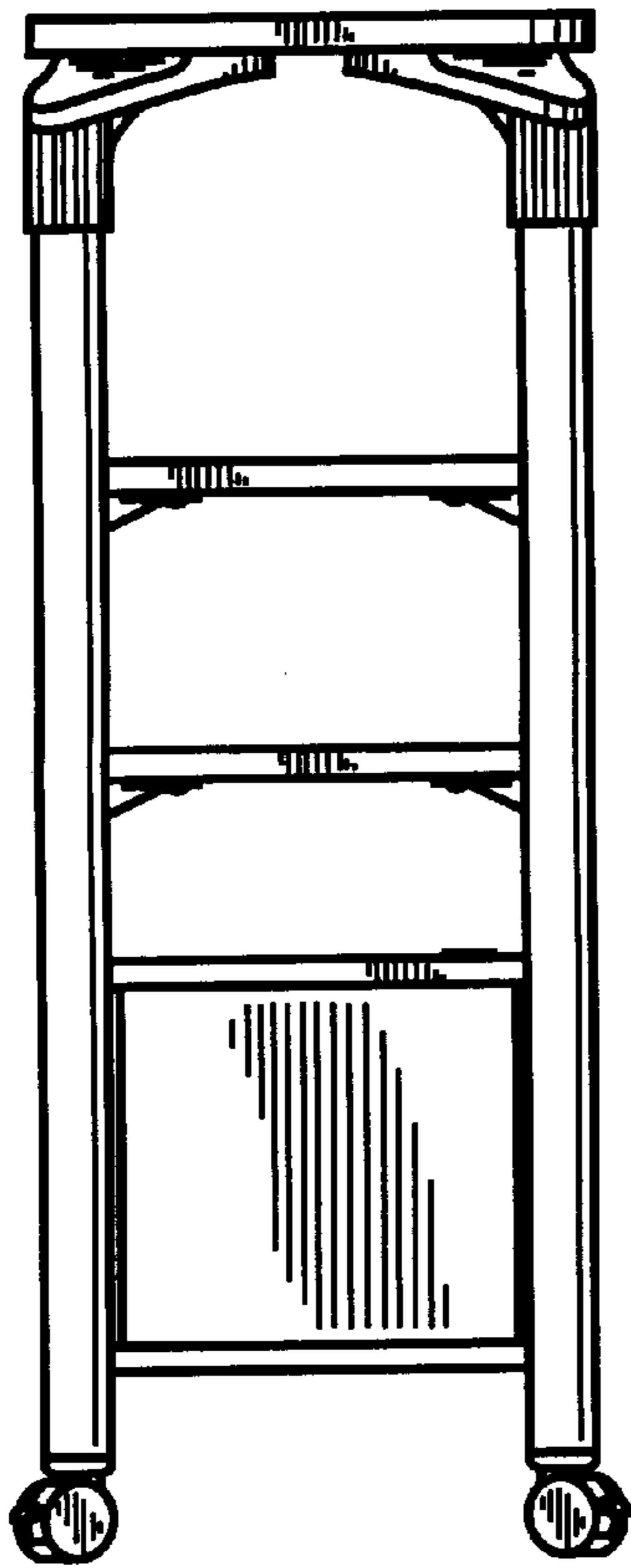


Figure 4

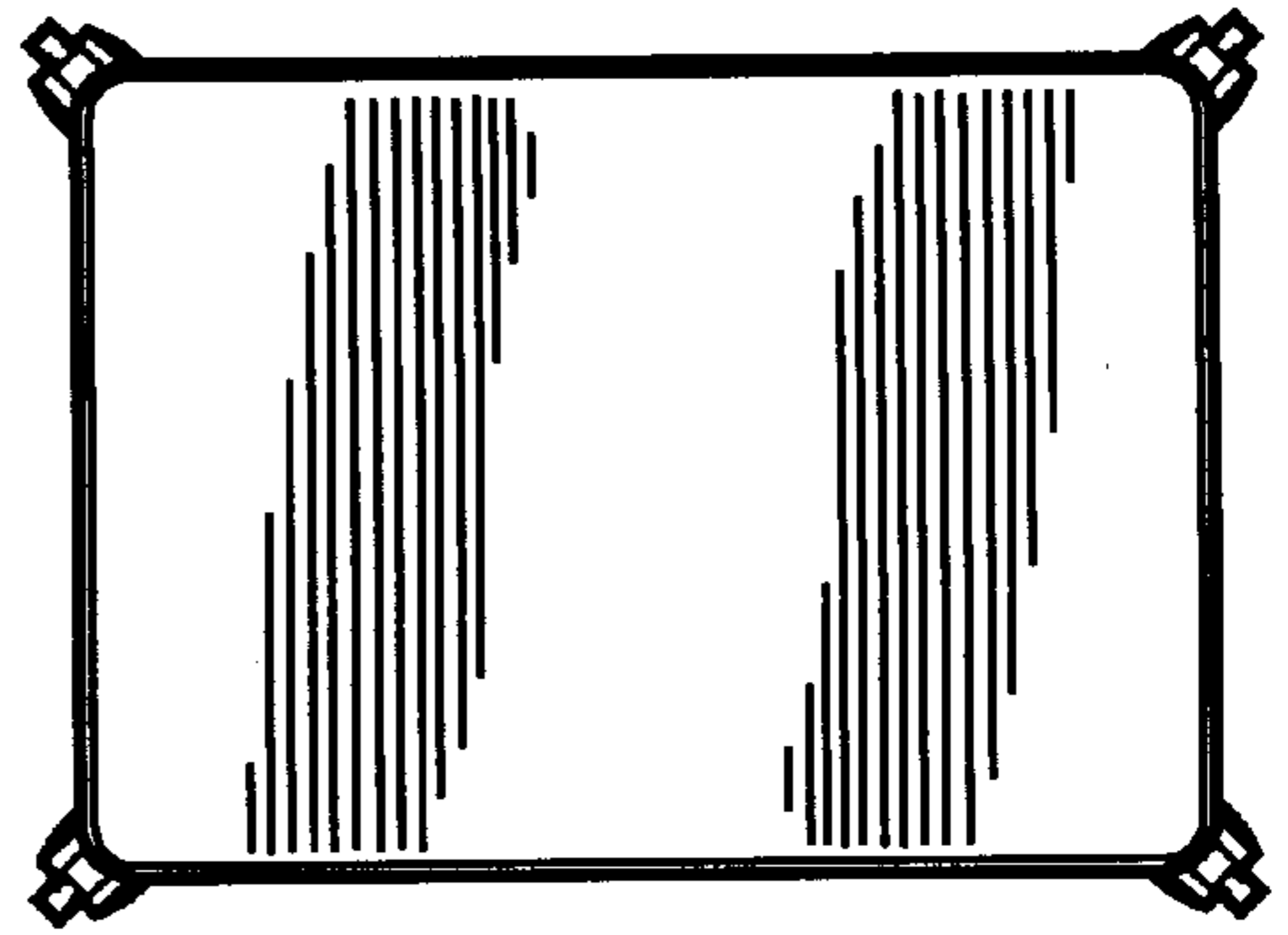


Figure 6

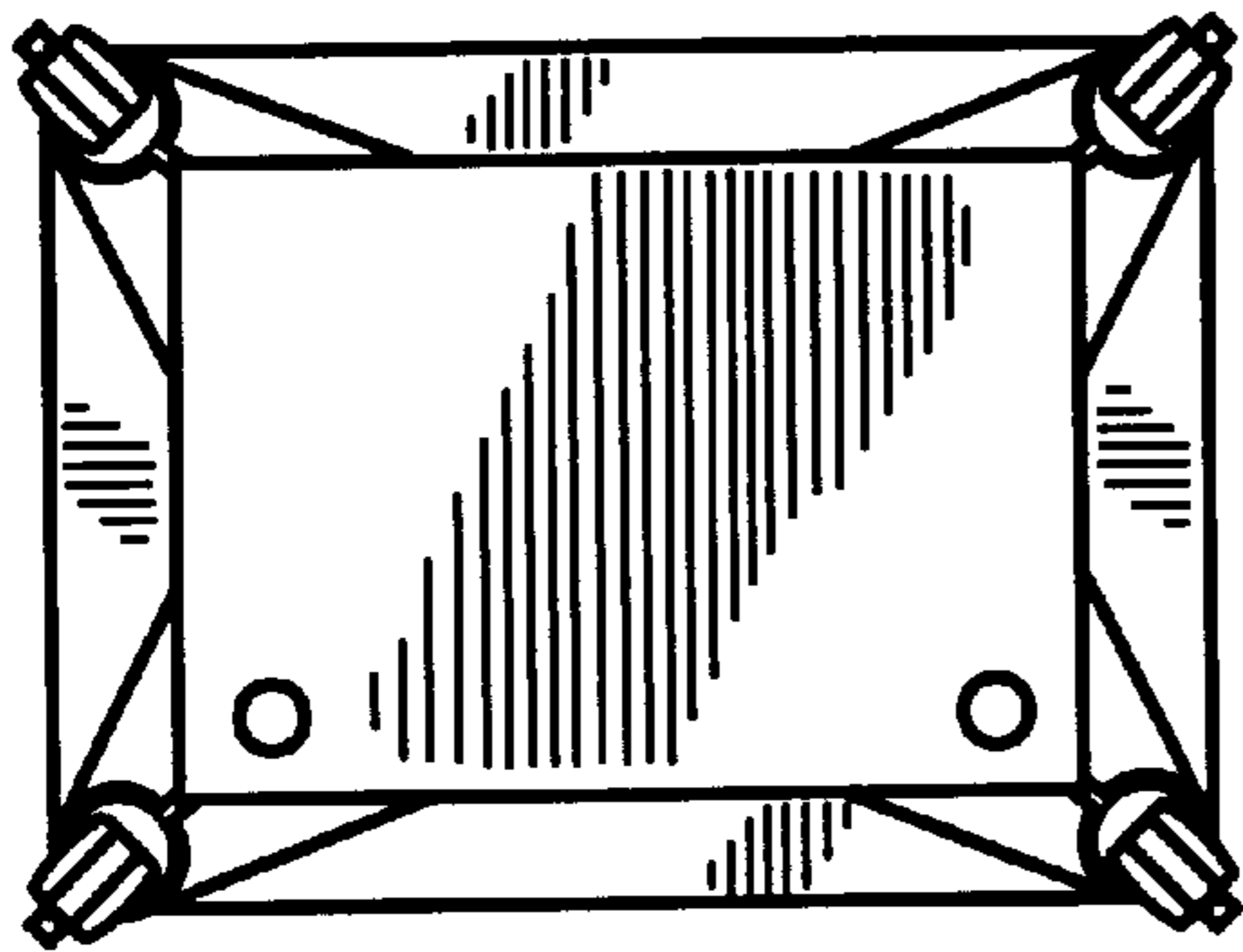


Figure 7

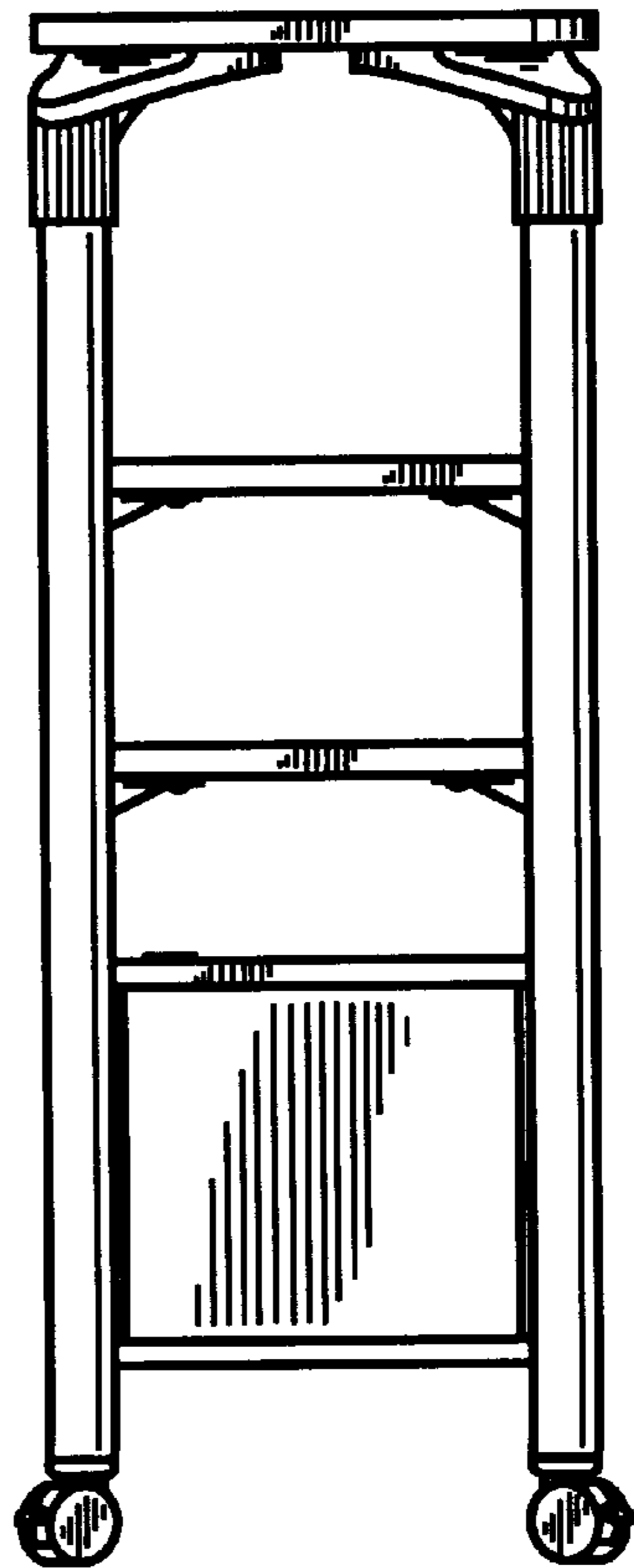


Figure 5