



US00D429544S

United States Patent [19]

[11] Patent Number: Des. 429,544

Terry, III

[45] Date of Patent: ** Aug. 15, 2000

- [54] **DODECAHEDRON SHAPED PET ENCLOSURE**
- [76] Inventor: **Clifford B. Terry, III**, P.O. Box 1714-T202, Koror, Palau, 96940
- [**] Term: **14 Years**
- [21] Appl. No.: **29/099,826**
- [22] Filed: **Jan. 27, 1999**
- [51] **LOC (7) Cl.** **30-02**
- [52] **U.S. Cl.** **D30/108; 30/2**
- [58] **Field of Search** D30/108-109, D30/114, 116-118, 112, 160; 119/416, 436, 452-453, 482, 496, 161-170, 28.5; 52/79.1, 80.2, 81.1

4,380,133	4/1983	Arnstein .	
4,651,478	3/1987	Dahl et al.	52/81.1
4,679,361	7/1987	Yacoe	52/81.1
4,696,260	9/1987	Panessidi	119/482
4,784,172	11/1988	Yacoboni	135/87
4,794,024	12/1988	Crowell et al. .	
4,856,706	8/1989	Straten	D30/108
5,253,799	10/1993	Sebesta .	
5,394,661	3/1995	Noble	52/81.1
5,732,514	3/1998	Organ	52/81.1
5,732,518	3/1998	Roberts	52/81.1
5,752,469	5/1998	Carbonell	119/482
5,819,479	10/1998	Rodriguez-Ferre	52/79.1
5,964,189	10/1999	Northrop et al.	119/482

[56] **References Cited**

U.S. PATENT DOCUMENTS

D. 203,972	3/1966	Daugherty	D30/117
D. 217,760	6/1970	Critchlow	52/81.1
D. 224,792	9/1972	Knox, Jr.	D30/118
D. 229,730	1/1974	Suzuki et al.	52/81.1
D. 257,493	11/1980	Lodrick	D30/117
D. 269,916	7/1983	Lodrick	D30/117
D. 342,115	12/1993	Petersheim et al.	D30/161
D. 377,545	1/1997	Iben	D30/118
D. 377,852	2/1997	Iben	D30/118
3,618,273	11/1971	Crandall	52/79.4
3,925,940	12/1975	O'Connell, Jr. et al.	52/81.1
3,985,285	10/1976	Kitagawa .	
4,319,418	3/1982	Transport .	

Primary Examiner—Cathy Anne MacCormac
Attorney, Agent, or Firm—Seth M. Reiss

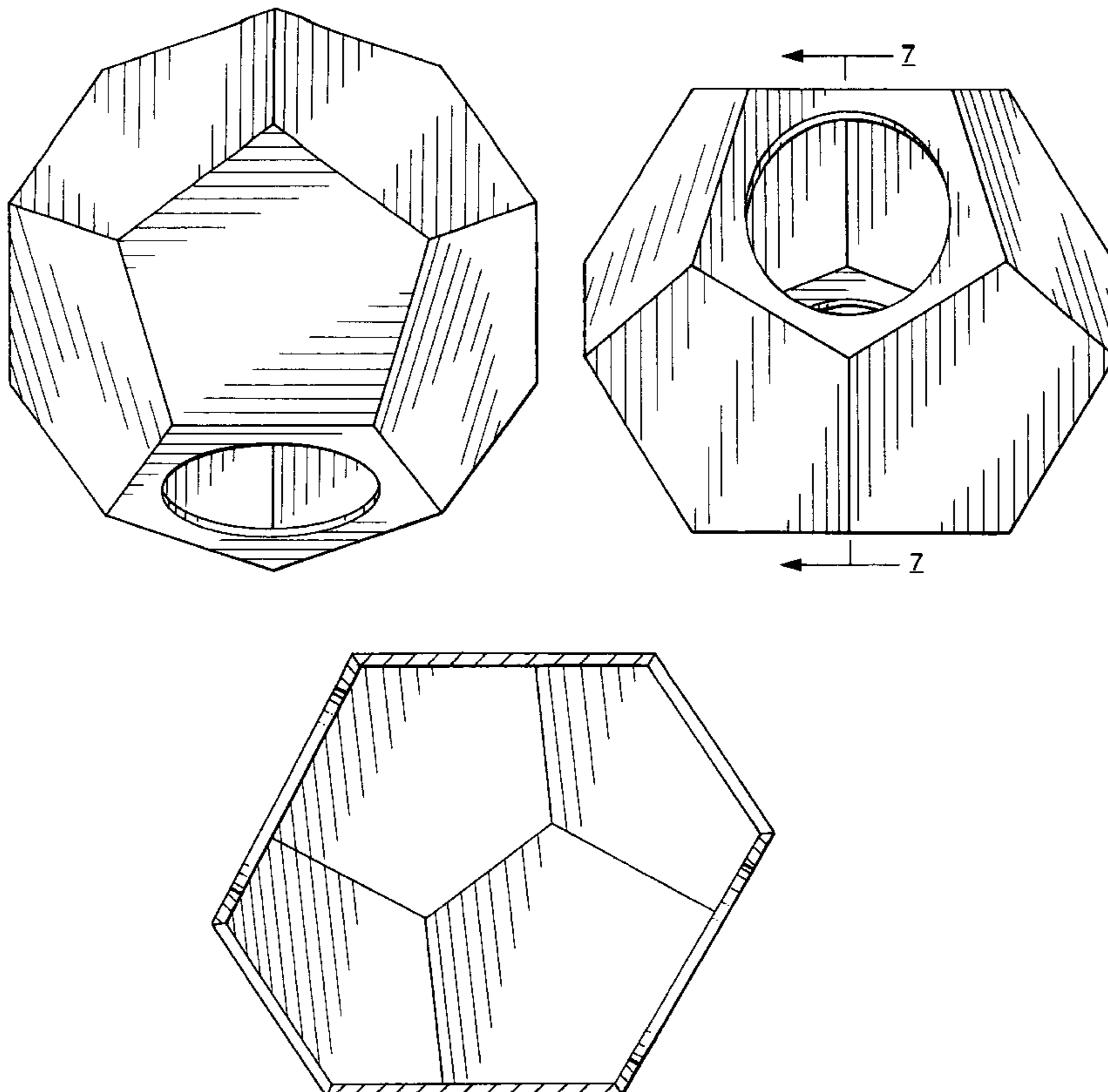
[57] **CLAIM**

I claim the ornamental design for dodecahedron shaped pet enclosure, as shown and described.

DESCRIPTION

FIG. 1 is a top plan view of a dodecahedron shaped pet enclosure showing my new design;
FIG. 2 is a bottom plan view thereof;
FIG. 3 is a front elevational view thereof;
FIG. 4 is a rear elevational view thereof;
FIG. 5 is a left side elevational view thereof;
FIG. 6 is a right side elevational view thereof; and,
FIG. 7 is a cross sectional view thereof taken along line 7—7 on FIG. 3.

1 Claim, 4 Drawing Sheets



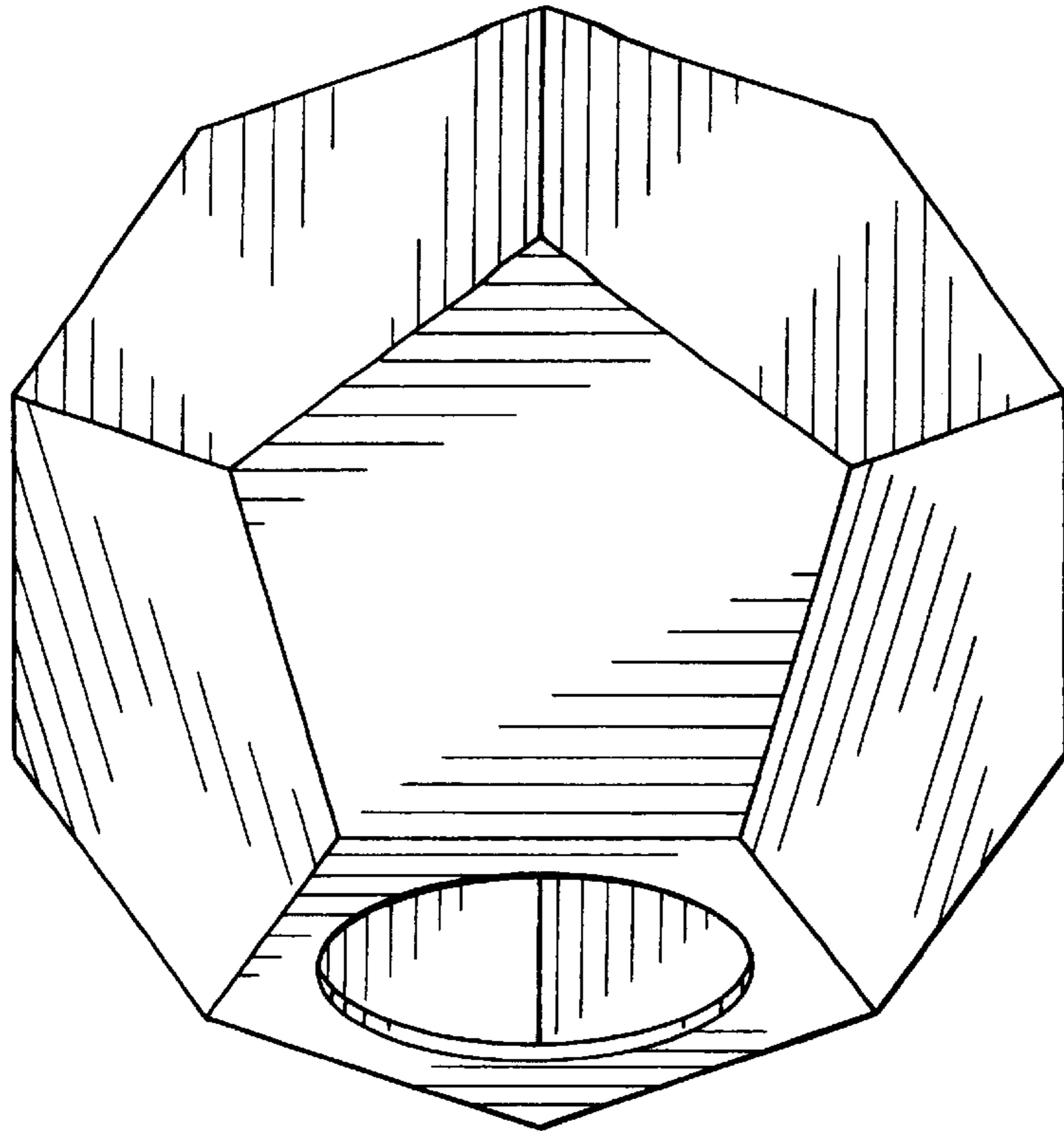


FIG. 1

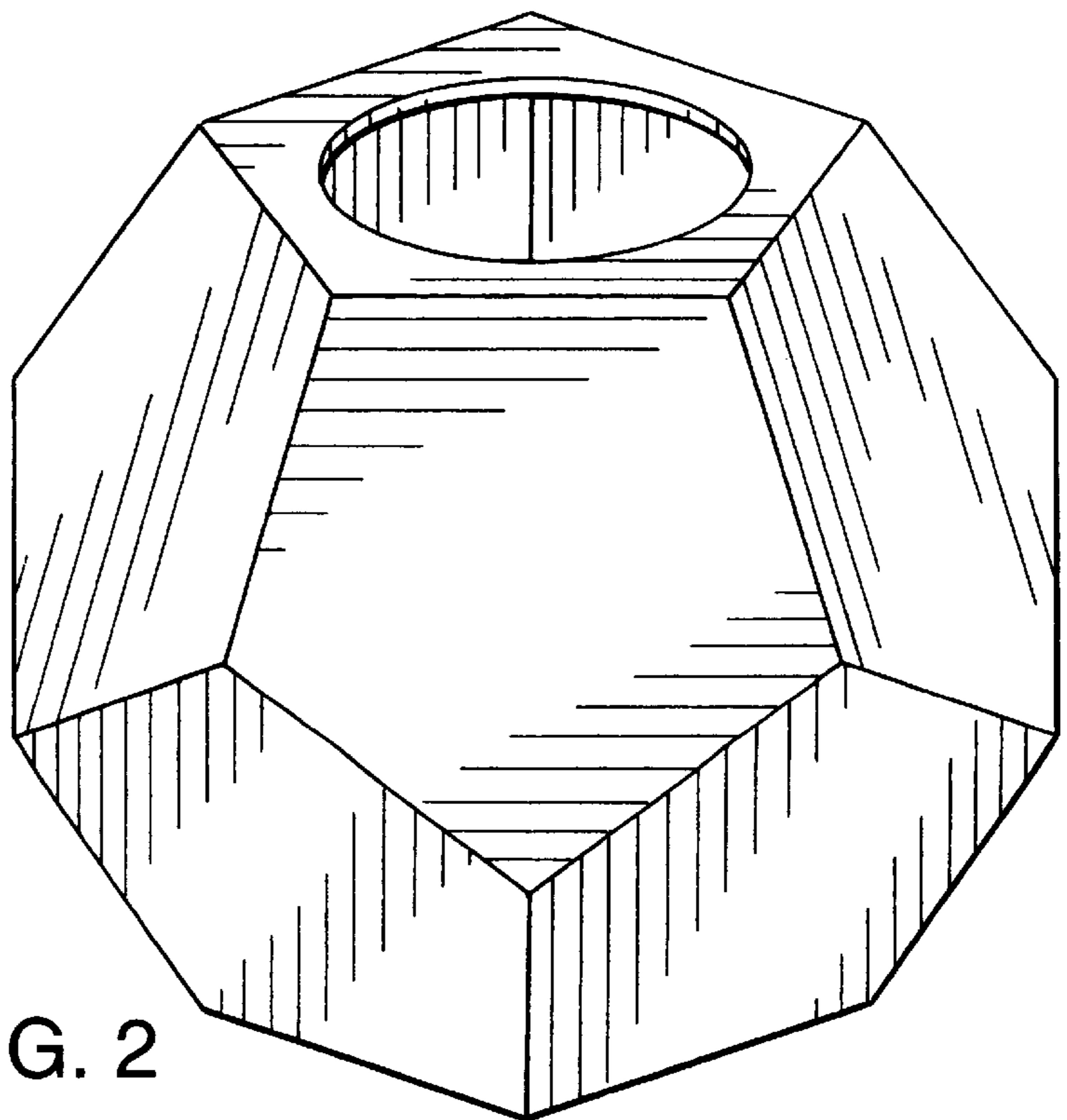


FIG. 2

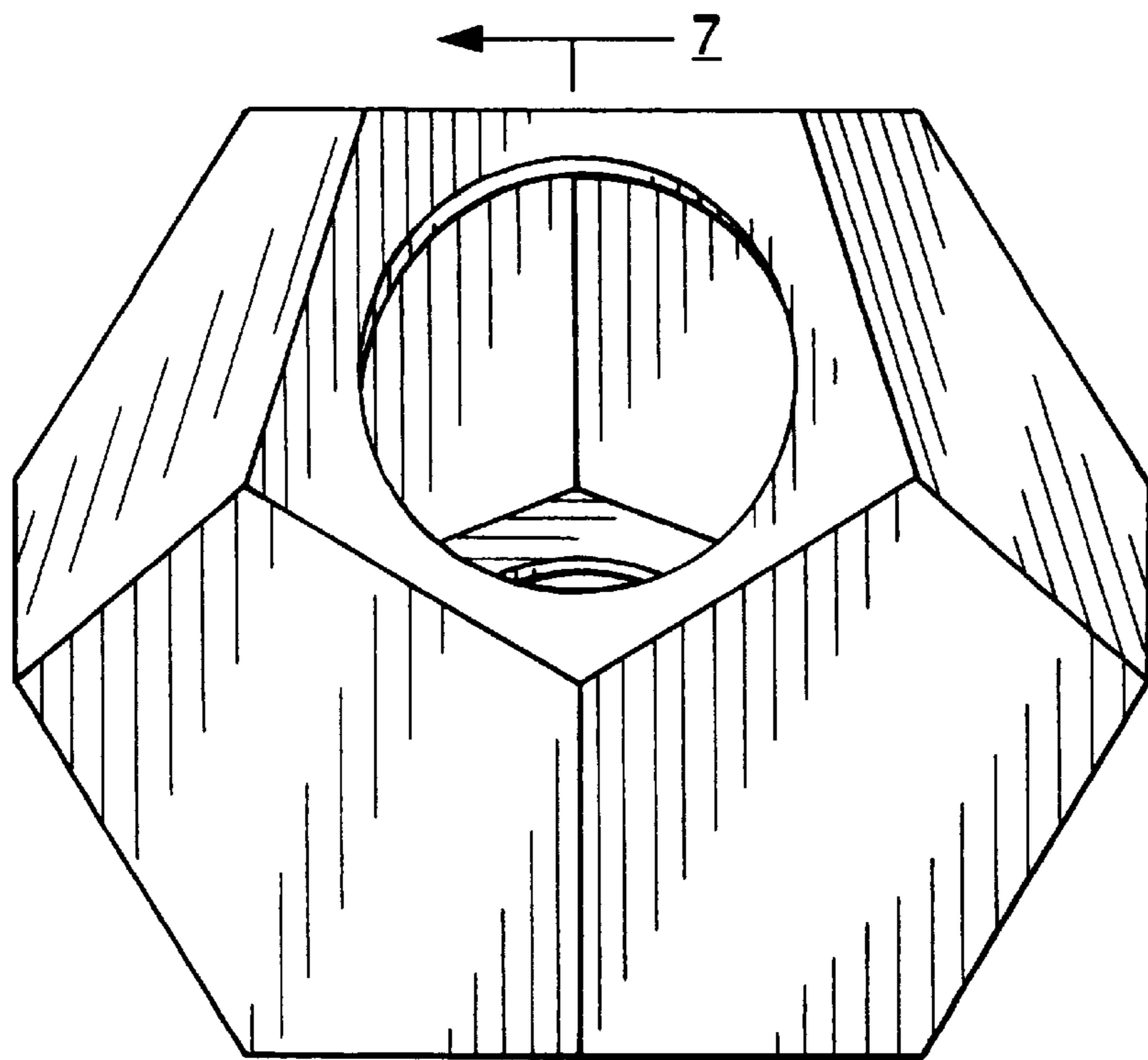


FIG. 3

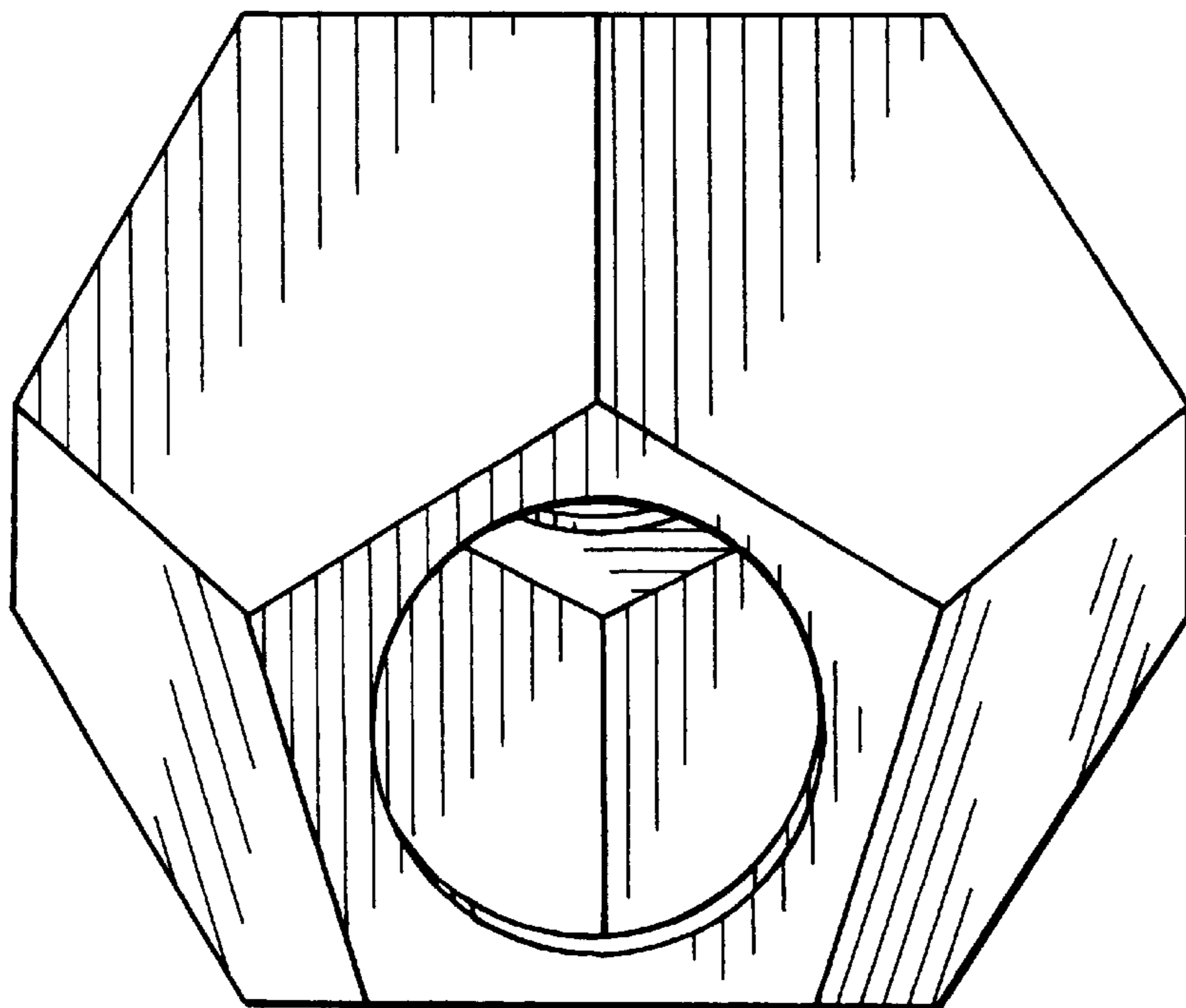


FIG. 4

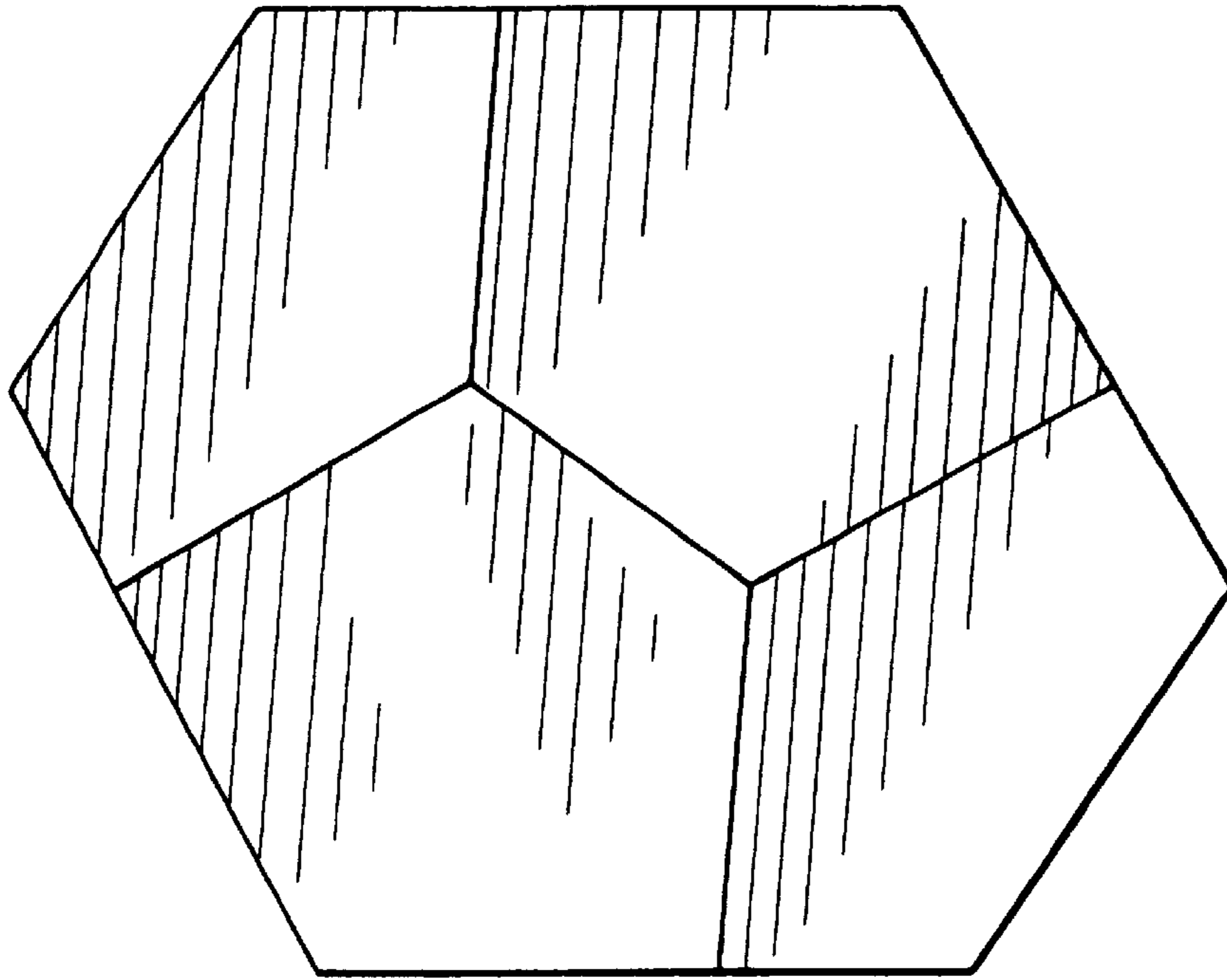


FIG. 5

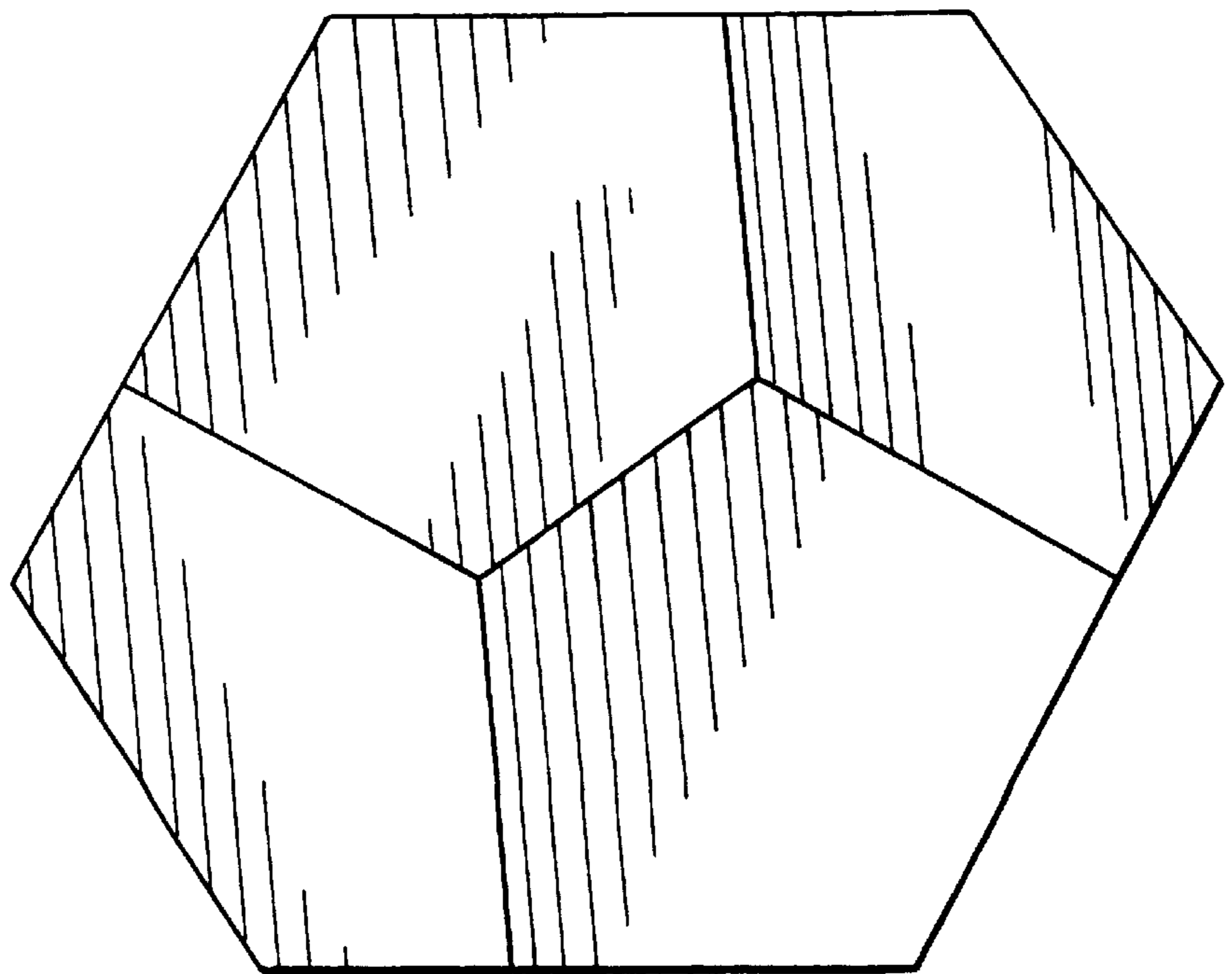


FIG. 6

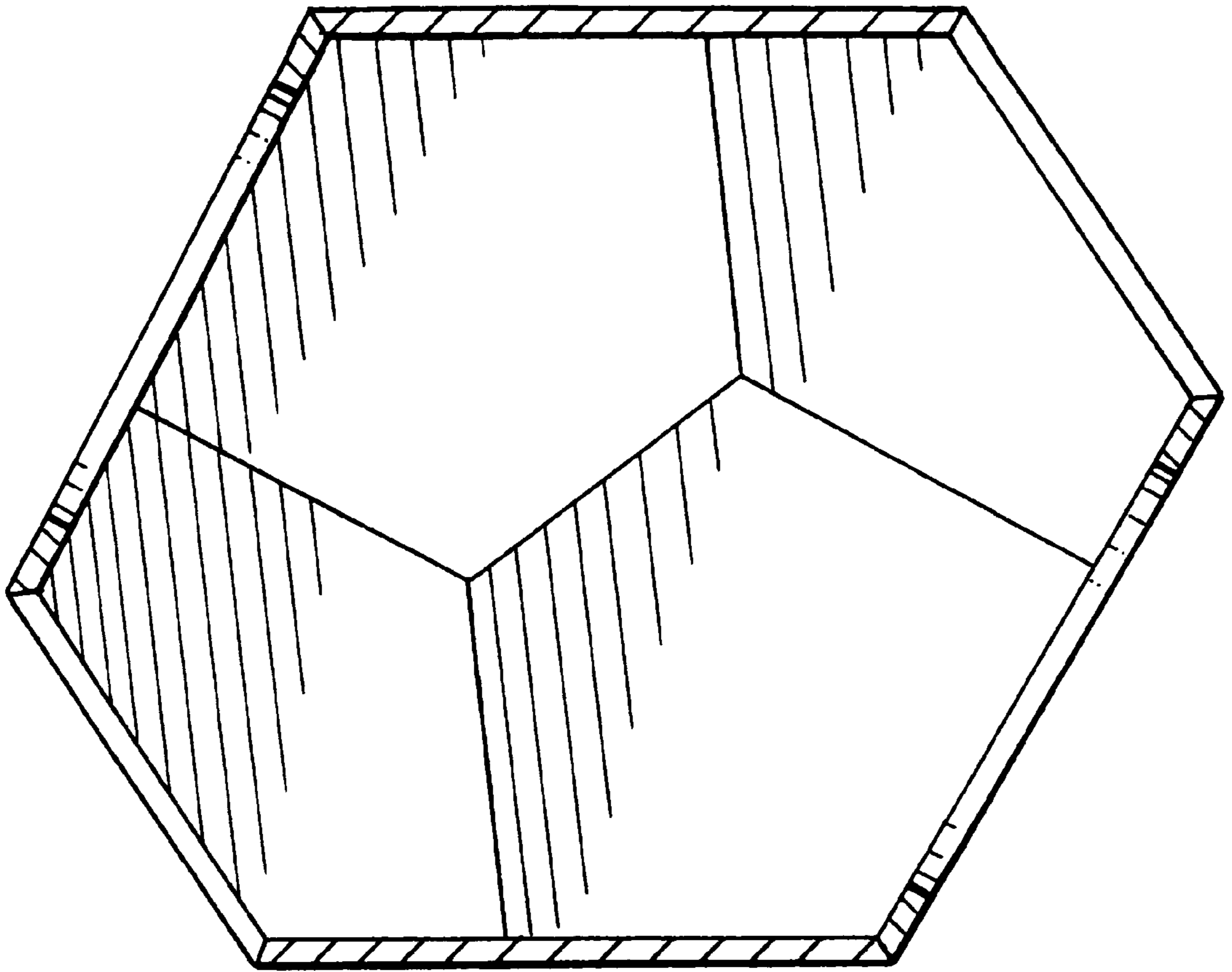


FIG. 7