



US00D429543S

# United States Patent [19]

Garland et al.

[11] Patent Number: Des. 429,543

[45] Date of Patent: \*\* Aug. 15, 2000

[54] RAZOR UNIT WITH LUBRICATING STRIPS

[75] Inventors: Colman C. Garland, Orange; Andrew J. Curello, Hamden; Barry C. Johnson, III, Cheshire, all of Conn.

[73] Assignee: BIC Corporation, Milford, Conn.

[\*\*] Term: 14 Years

[21] Appl. No.: 29/086,894

[22] Filed: Apr. 22, 1998

[51] LOC (7) Cl. .... 28-03

[52] U.S. Cl. .... D28/46

[58] Field of Search ..... D28/44-48; 30/32, 30/34.05, 41, 48-50, 84, 526, 538-540

### [56] References Cited

#### U.S. PATENT DOCUMENTS

D. 287,059	12/1986	Gille	.....	D28/46
D. 308,427	6/1990	Gyllerstrom	.....	D28/46
D. 311,784	10/1990	Schwartz	.....	D28/48
D. 345,232	3/1994	Gray	.....	D28/46
D. 366,728	1/1996	Ryu	.....	D28/48
D. 378,623	3/1997	Wonderley	.....	D28/48
D. 402,403	12/1998	Motta et al.	.....	D28/48
4,074,429	2/1978	Roberts	.....	30/41
4,170,821	10/1979	Booth	.....	30/41
4,473,944	10/1984	Carroll	.....	30/41
4,624,051	11/1986	Apprille, Jr. et al.	.....	30/50
4,941,492	7/1990	Morgan	.....	30/41
4,996,772	3/1991	Iten	.....	30/41
5,070,613	12/1991	Althaus et al.	.....	30/50
5,369,885	12/1994	Ferraro	.....	30/41
5,421,286	6/1995	Mc Lean	.....	30/41.7 X
5,771,592	6/1998	Nizker	.....	30/540

#### FOREIGN PATENT DOCUMENTS

348627	1/1990	European Pat. Off.	.....	30/34.2
--------	--------	--------------------	-------	---------

Primary Examiner—Prabhakar Deshmukh

Assistant Examiner—C Tuttle

Attorney, Agent, or Firm—Pennie & Edmonds LLP

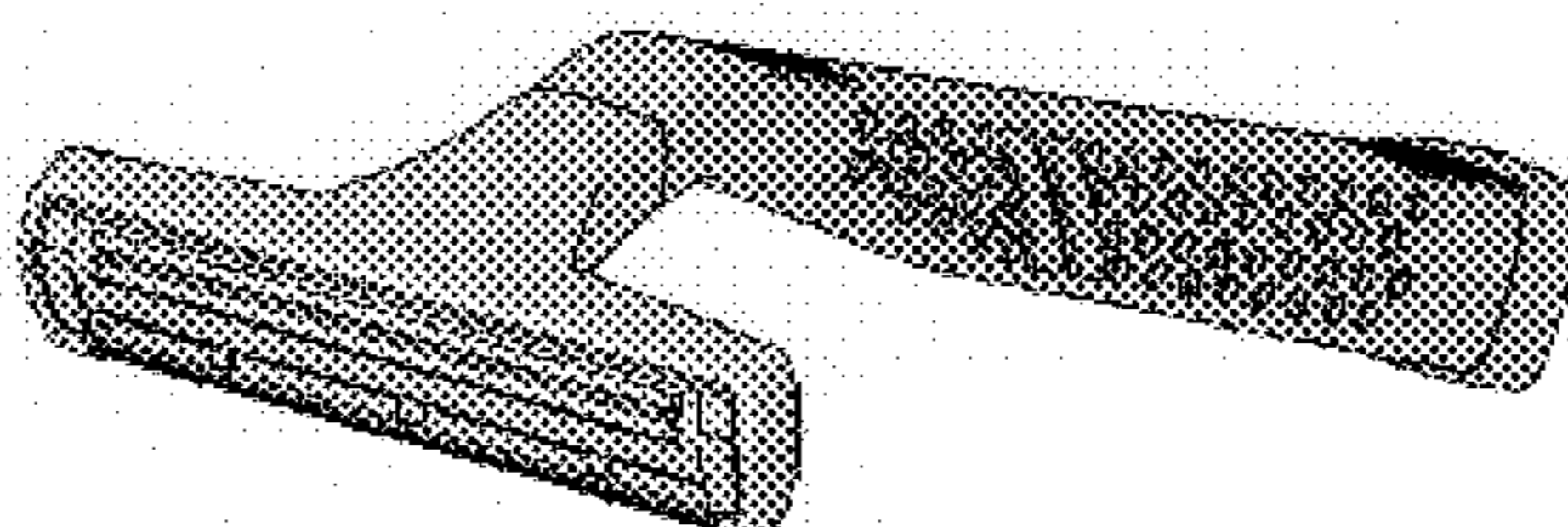
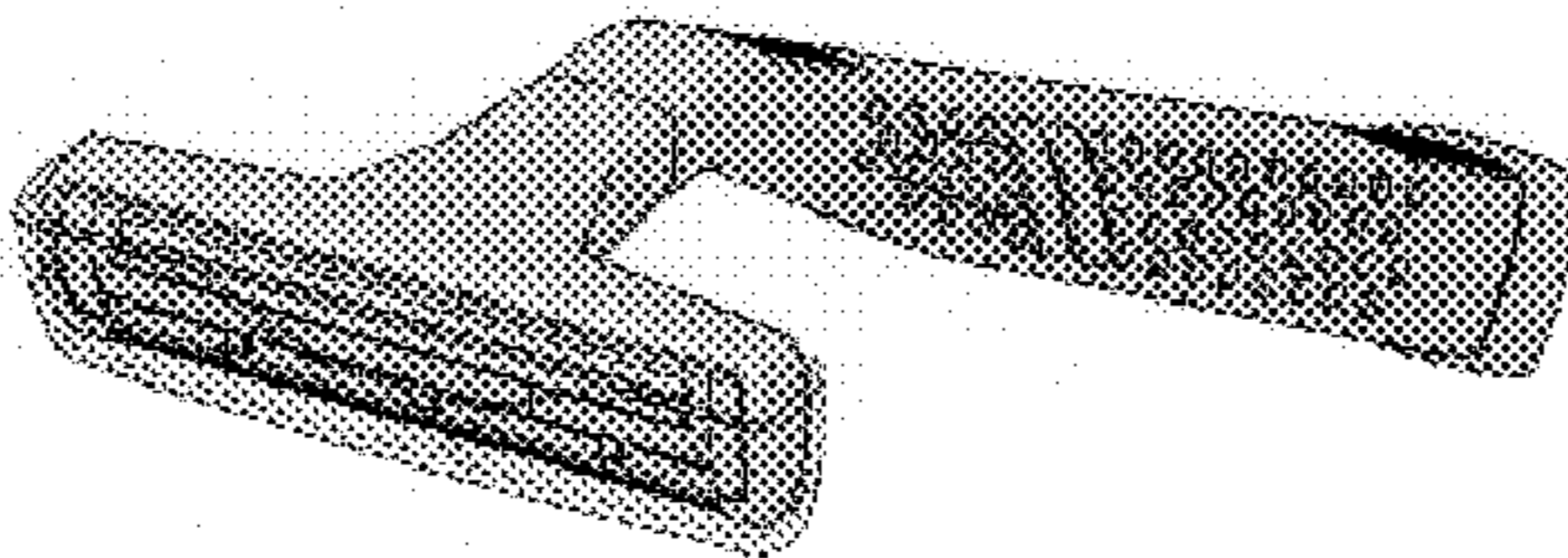
### [57] CLAIM

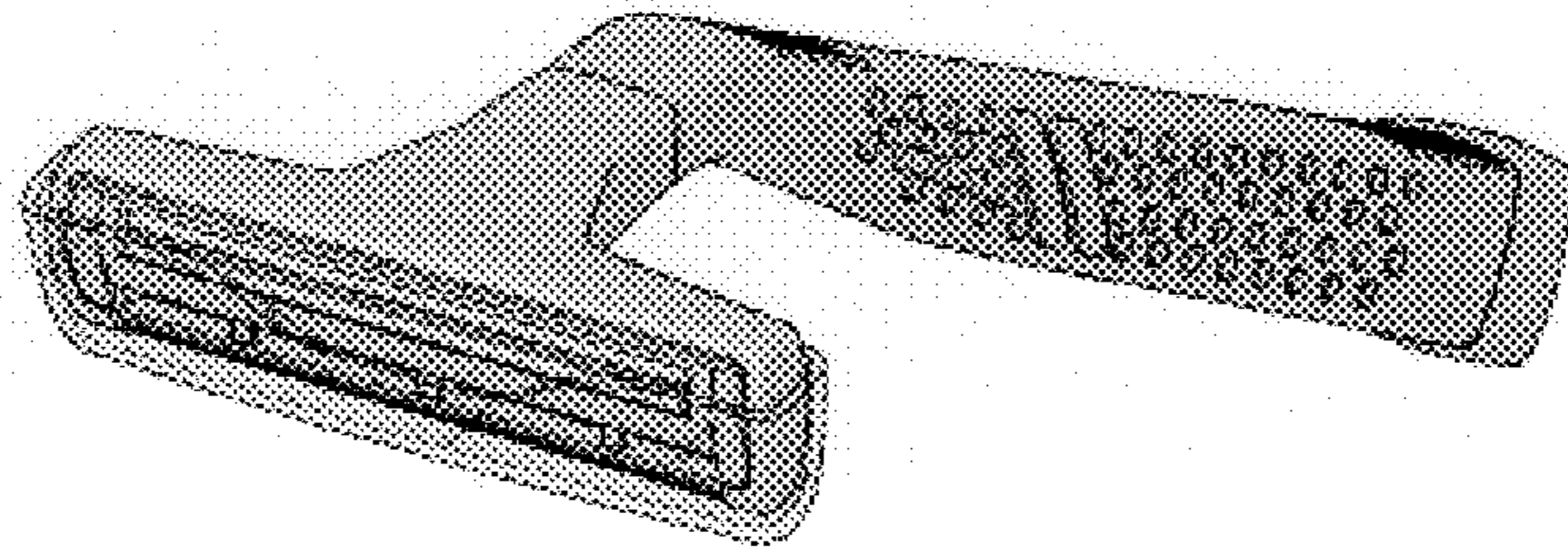
The ornamental design for a razor unit with lubricating strips, as shown and described.

### DESCRIPTION

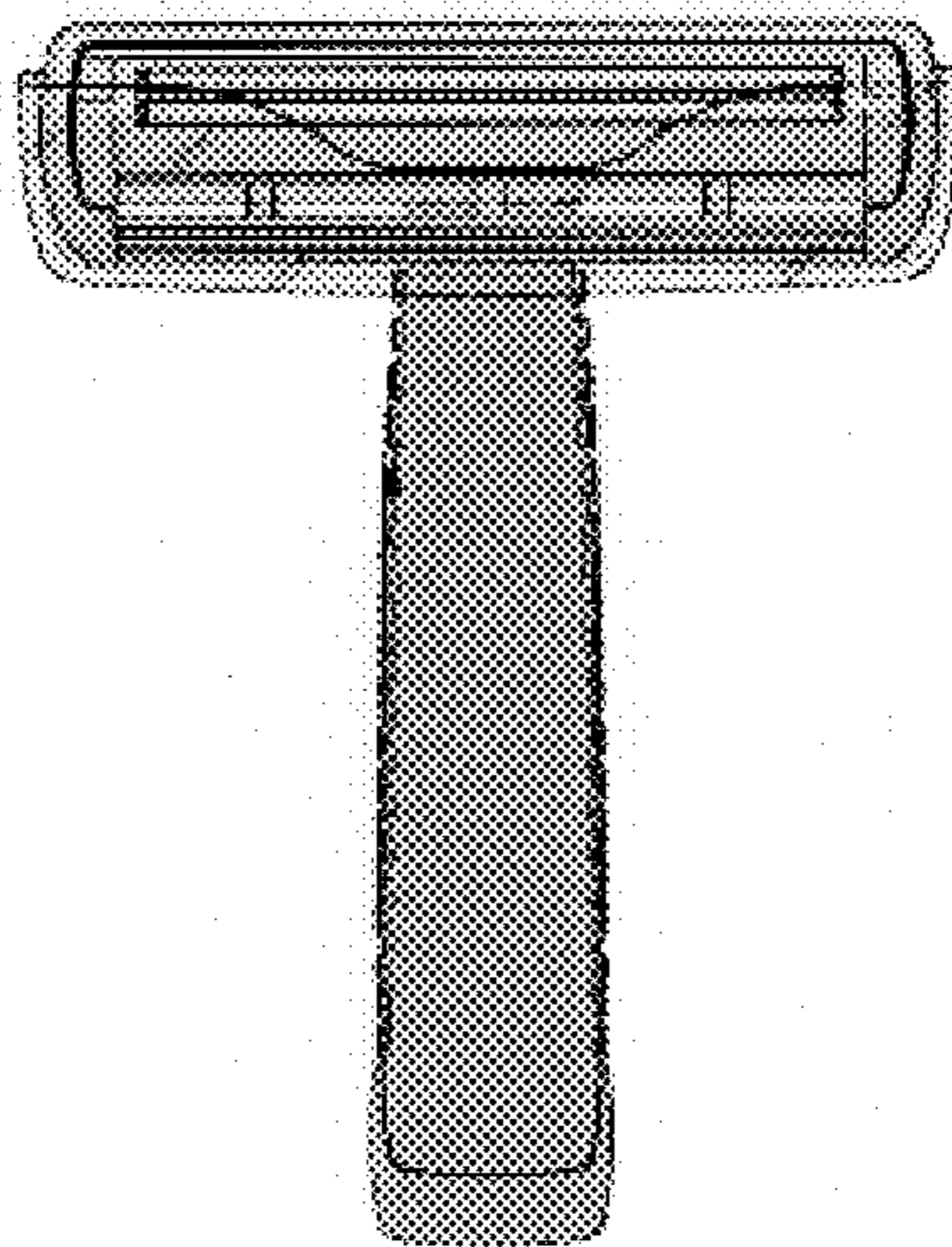
FIG. 1 is a perspective view of a first embodiment of our new design for a razor unit with lubricating strips; FIG. 2 is a front view of the razor unit with lubricating strips shown in FIG. 1; FIG. 3 is a perspective view of the protector cap shown in FIG. 1 shown separate from the assembly for clarity of illustration; FIG. 4 is a back view of the razor unit with lubricating strips shown in FIG. 1; FIG. 5 is a right side view of the razor unit with lubricating strips shown in FIG. 1; FIG. 6 is a left side view of the razor unit with lubricating strips shown in FIG. 1; FIG. 7 is a top view of the razor unit with lubricating strips shown in FIG. 1; FIG. 8 is a bottom view of the razor unit with lubricating strips shown in FIG. 1; FIG. 9 is a perspective view of a second embodiment of our design, wherein the modification resides in the exclusion of the cap; FIG. 10 is a front view of the razor unit with lubricating strips shown in FIG. 9; FIG. 11 is a back view of the razor unit with lubricating strips shown in FIG. 9; FIG. 12 is a right side view of the razor unit with lubricating strips shown in FIG. 9; FIG. 13 is a left side view of the razor unit with lubricating strips shown in FIG. 9; FIG. 14 is a top view of the razor unit with lubricating strips shown in FIG. 9; and, FIG. 15 is a bottom view of the razor unit with lubricating strips shown in FIG. 9.

1 Claim, 6 Drawing Sheets

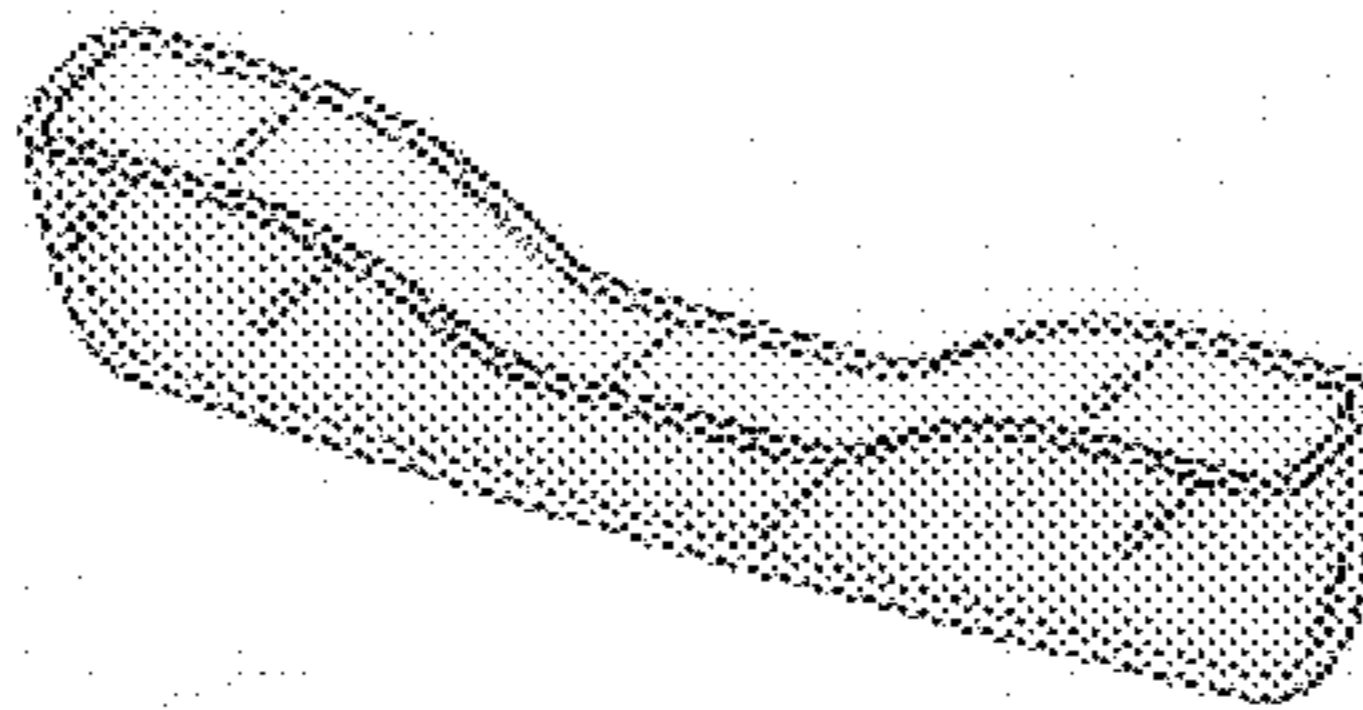




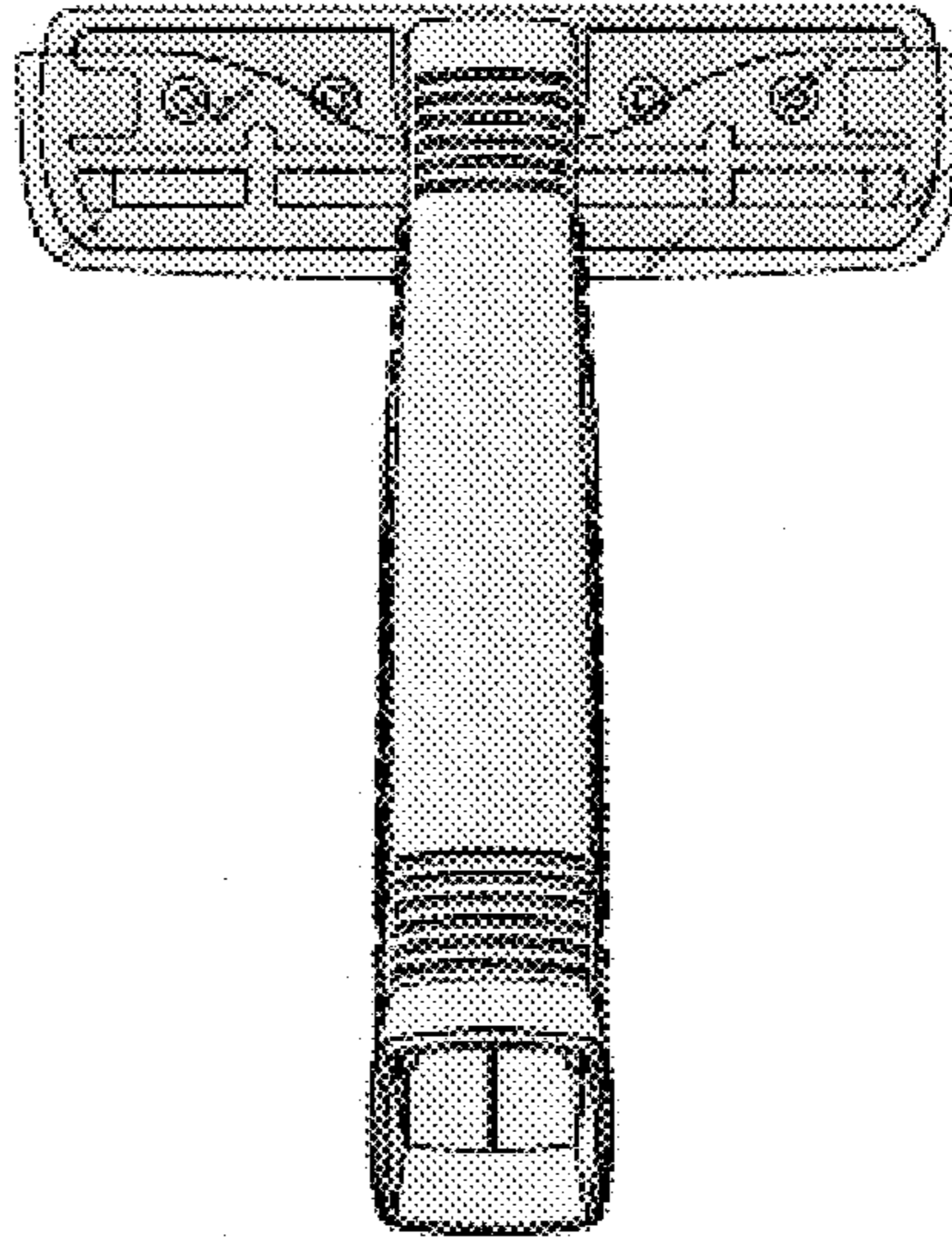
*Fig. 1*



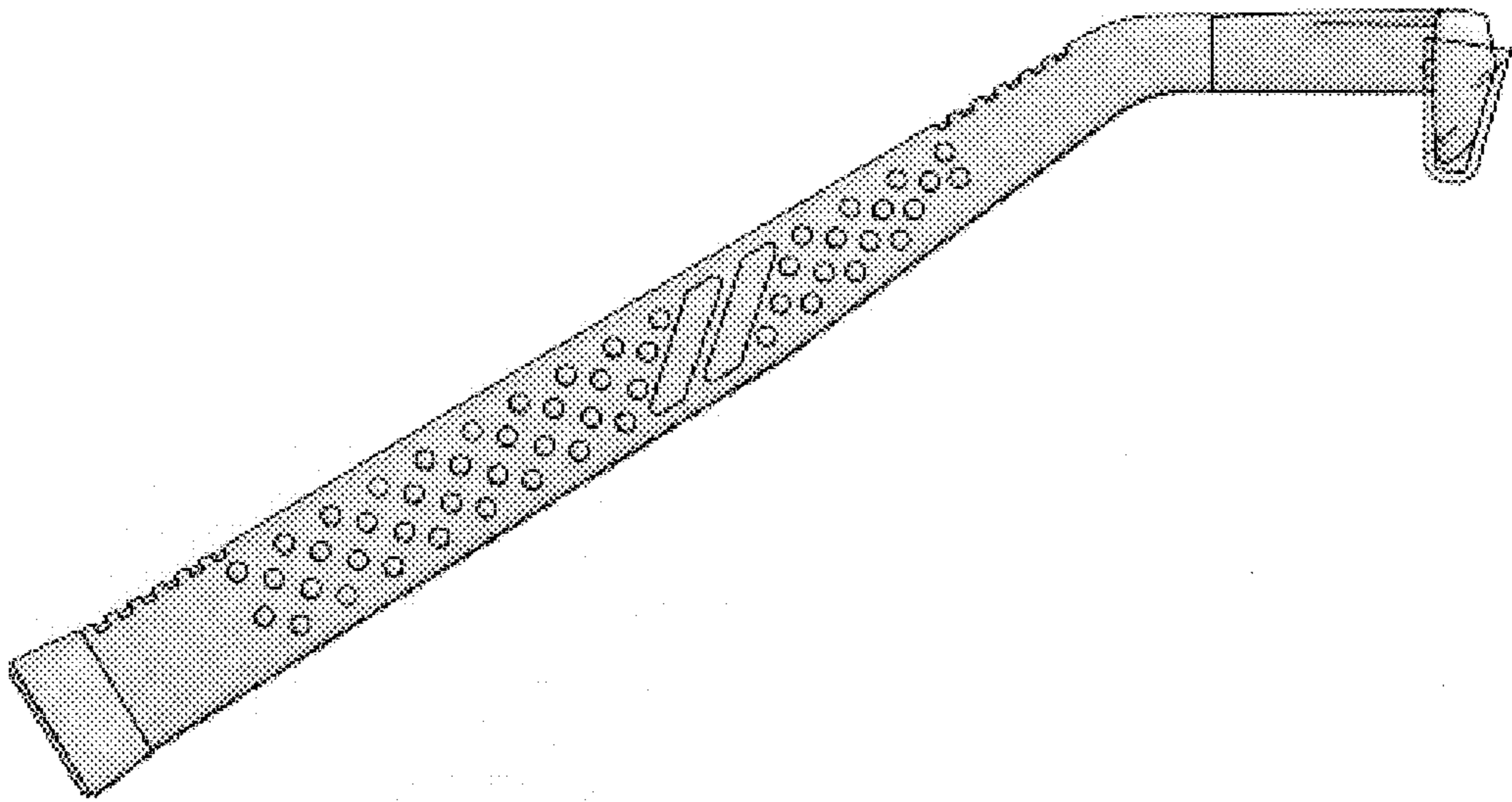
*Fig. 2*



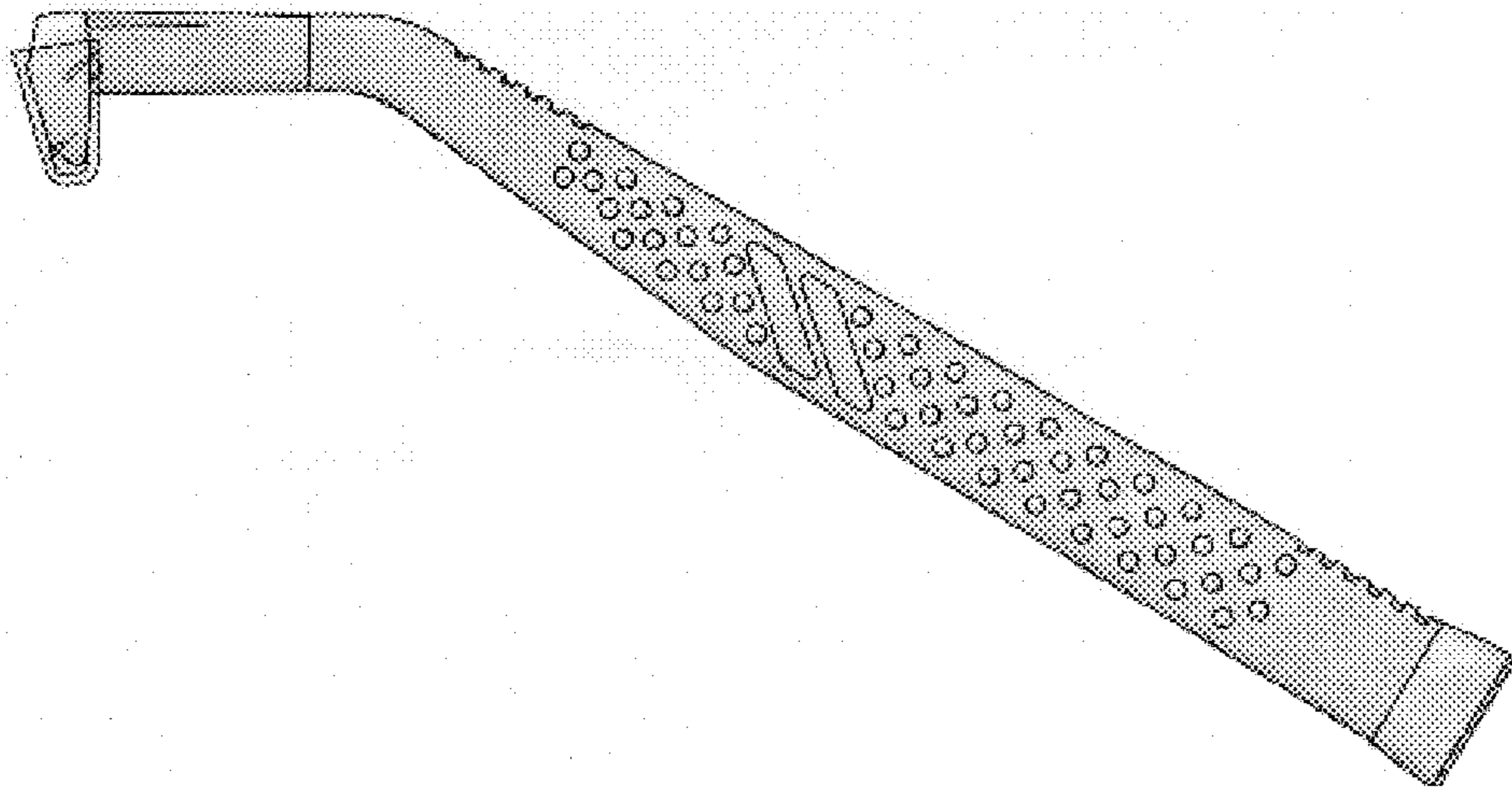
*Fig. 3*



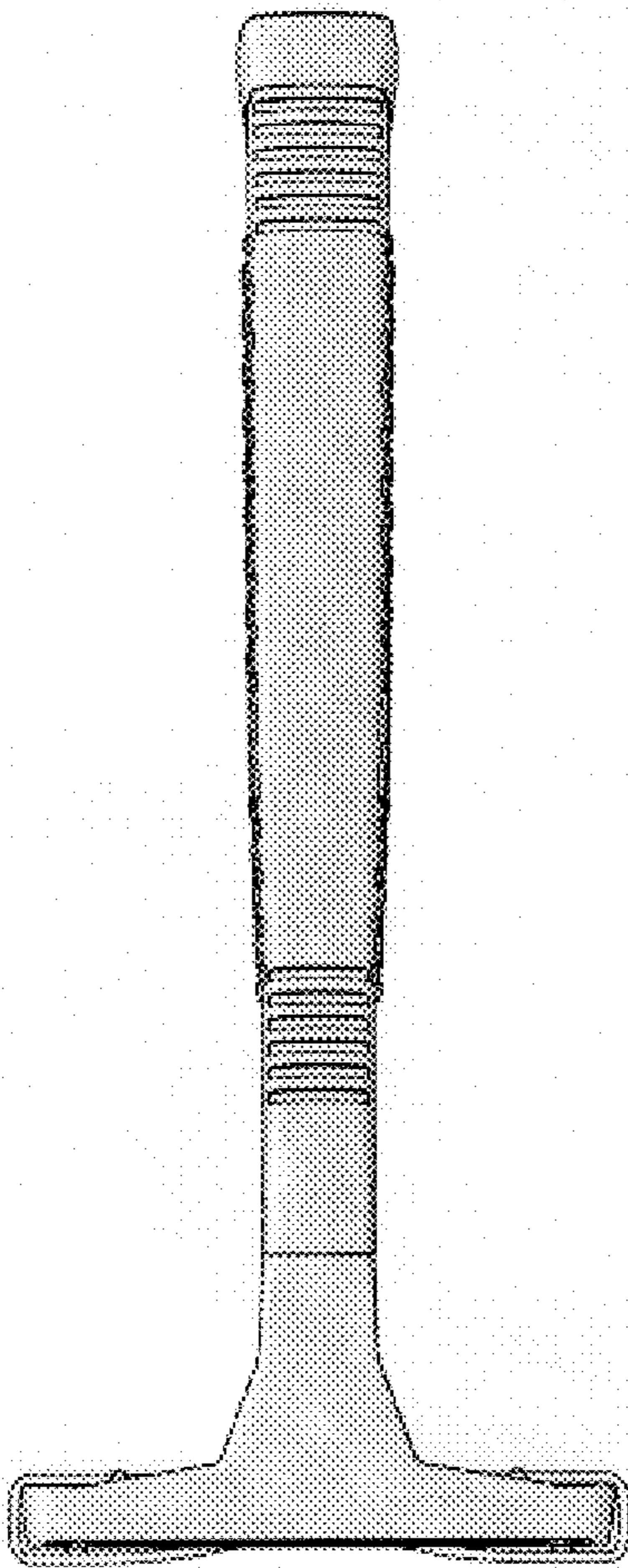
**FIG. 4**



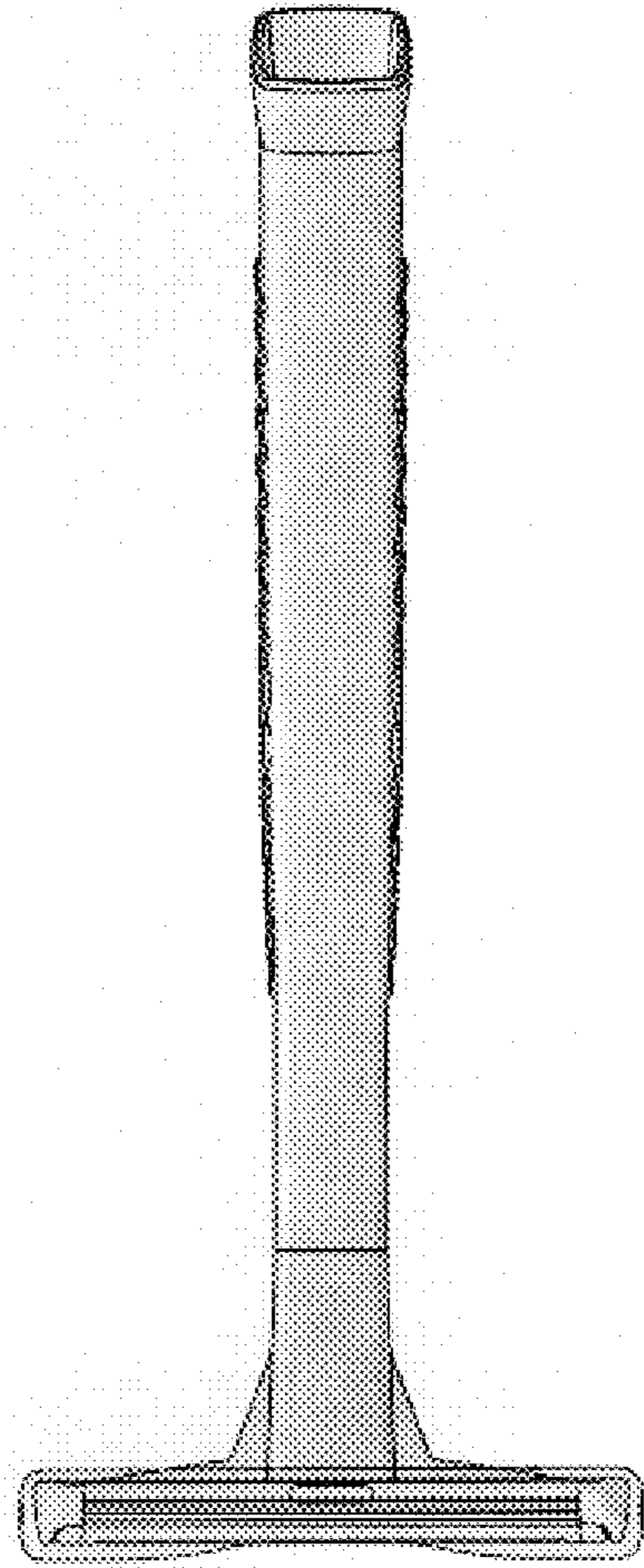
**FIG. 5**



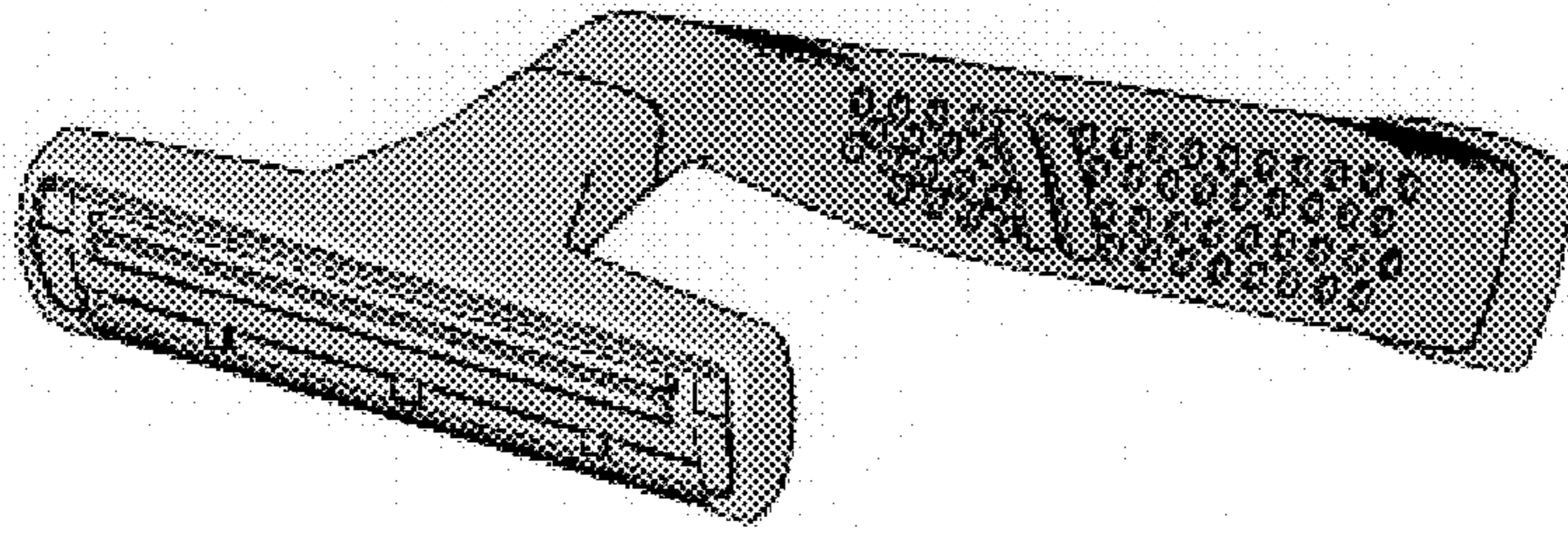
**FIG. 6**



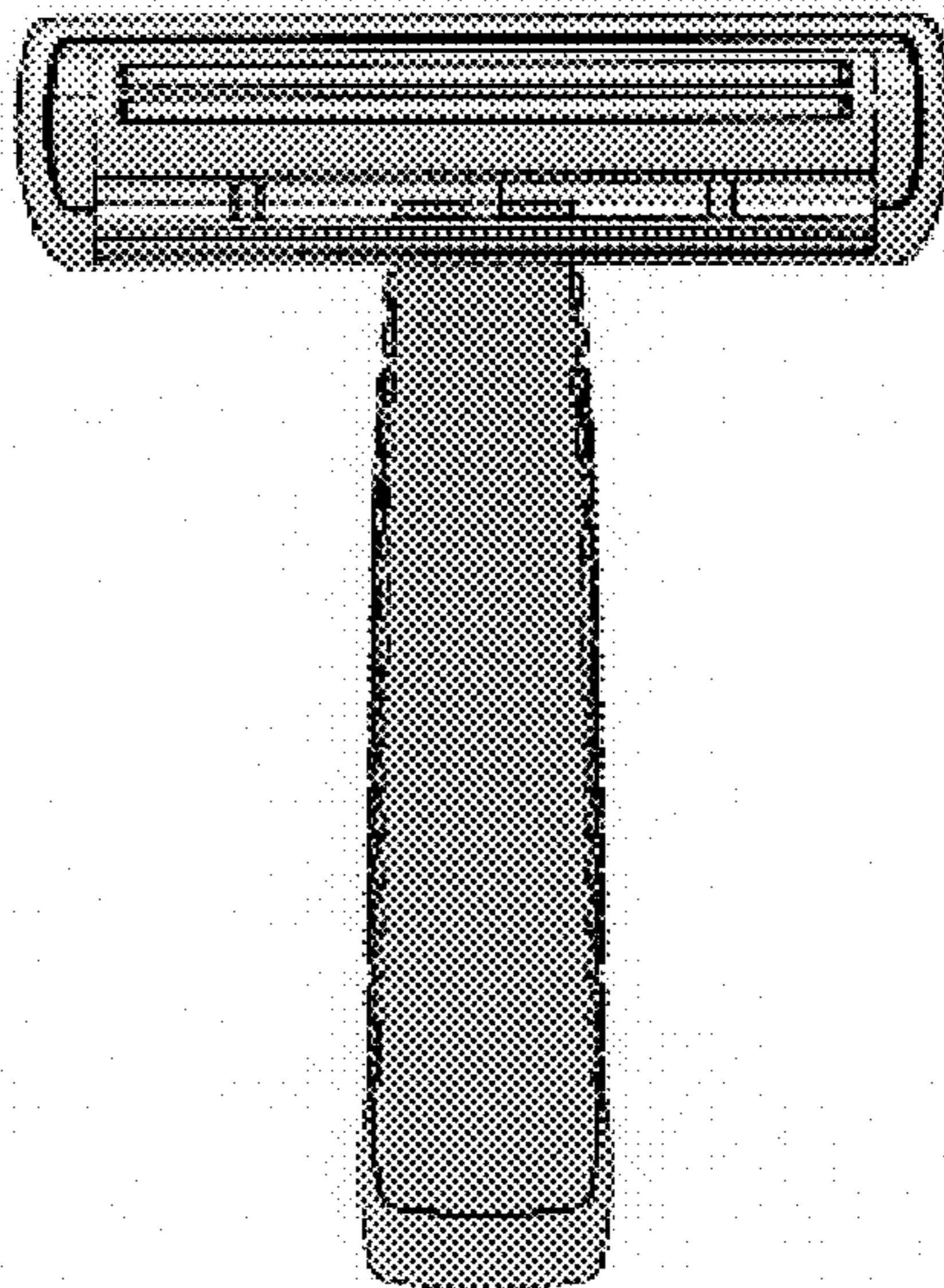
**FIG. 7**



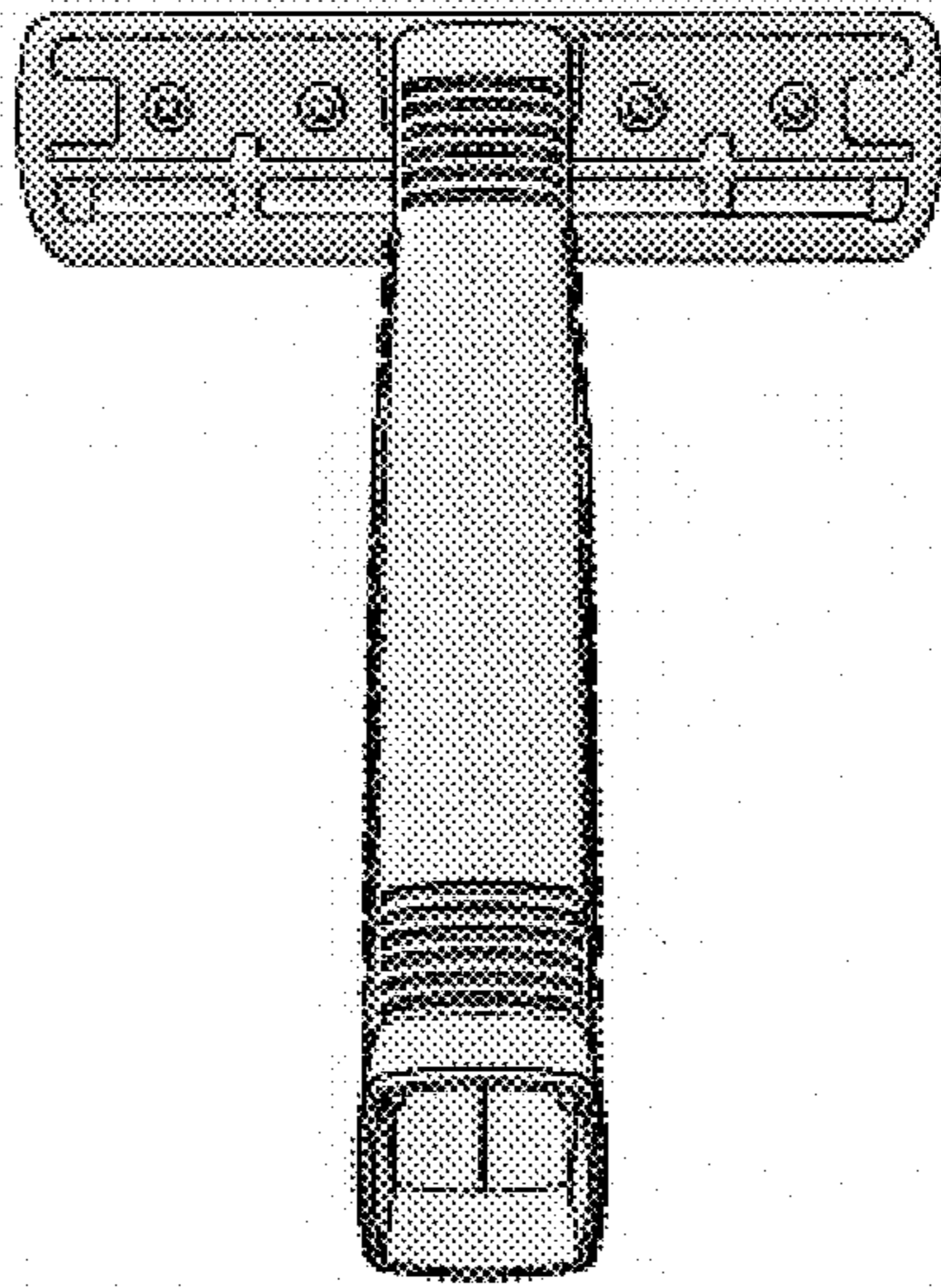
**FIG. 8**



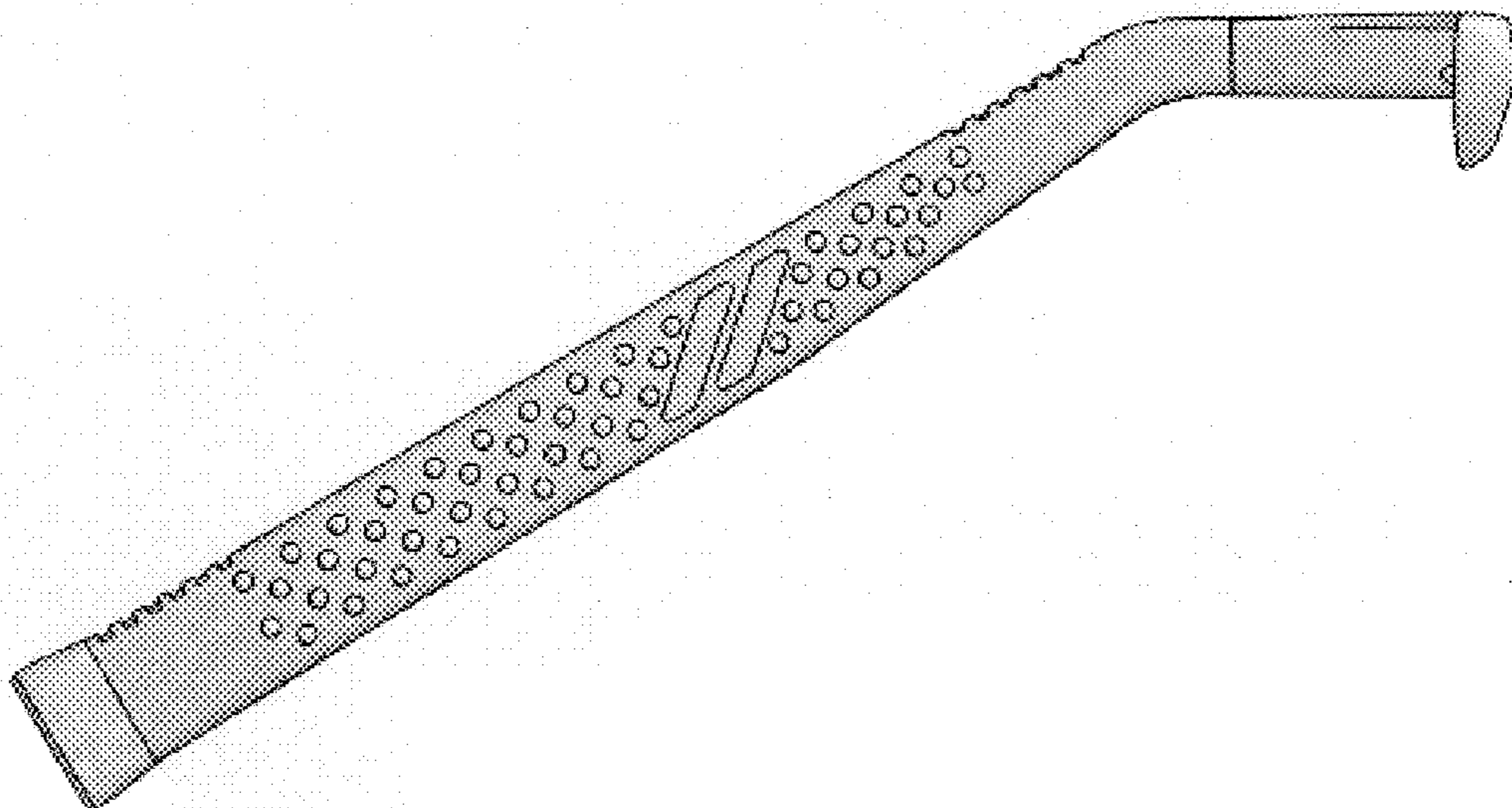
*Fig. 9*



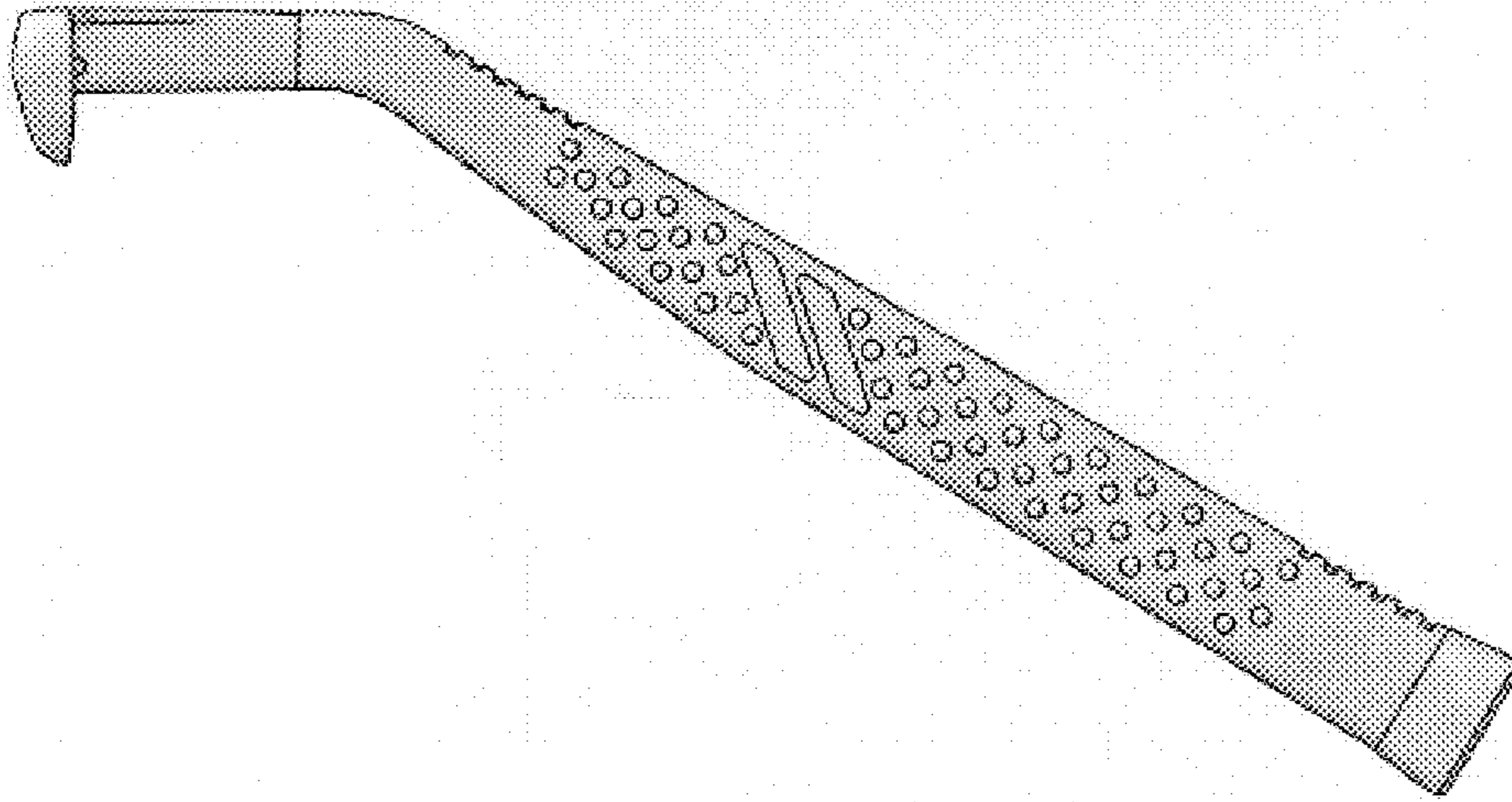
*Fig. 10*



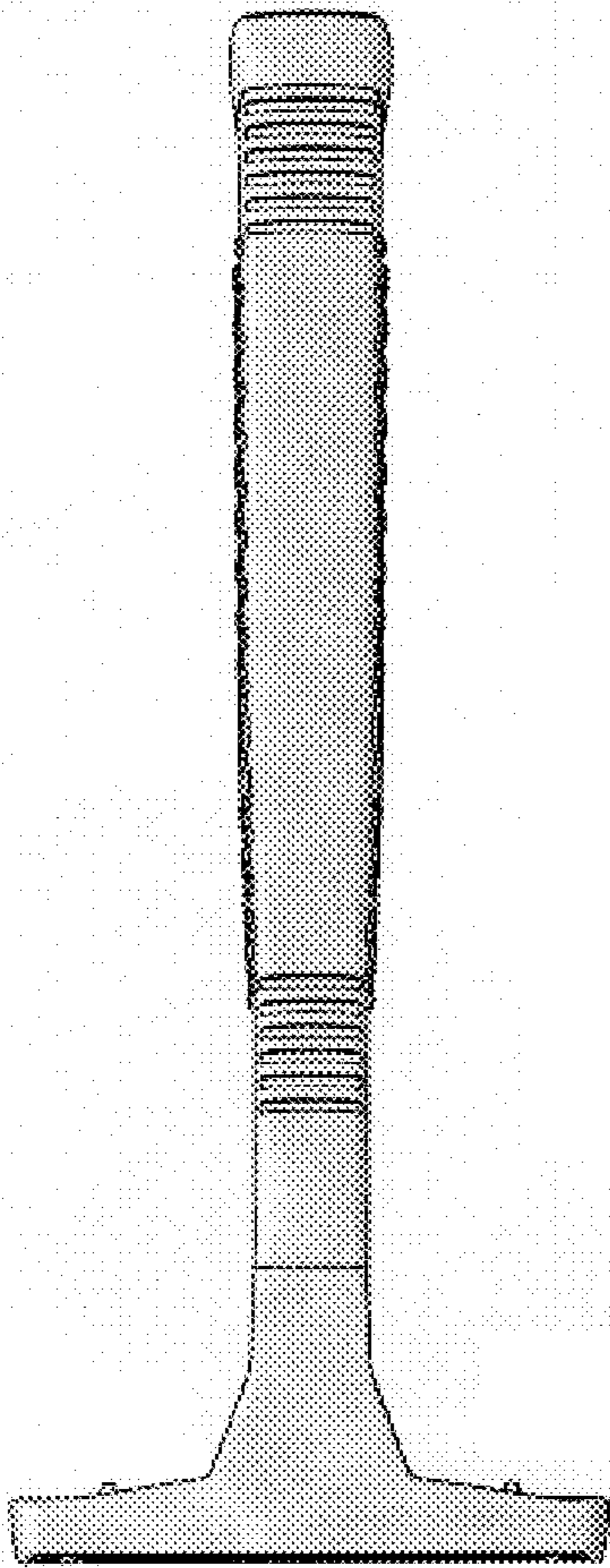
**FIG. 11**



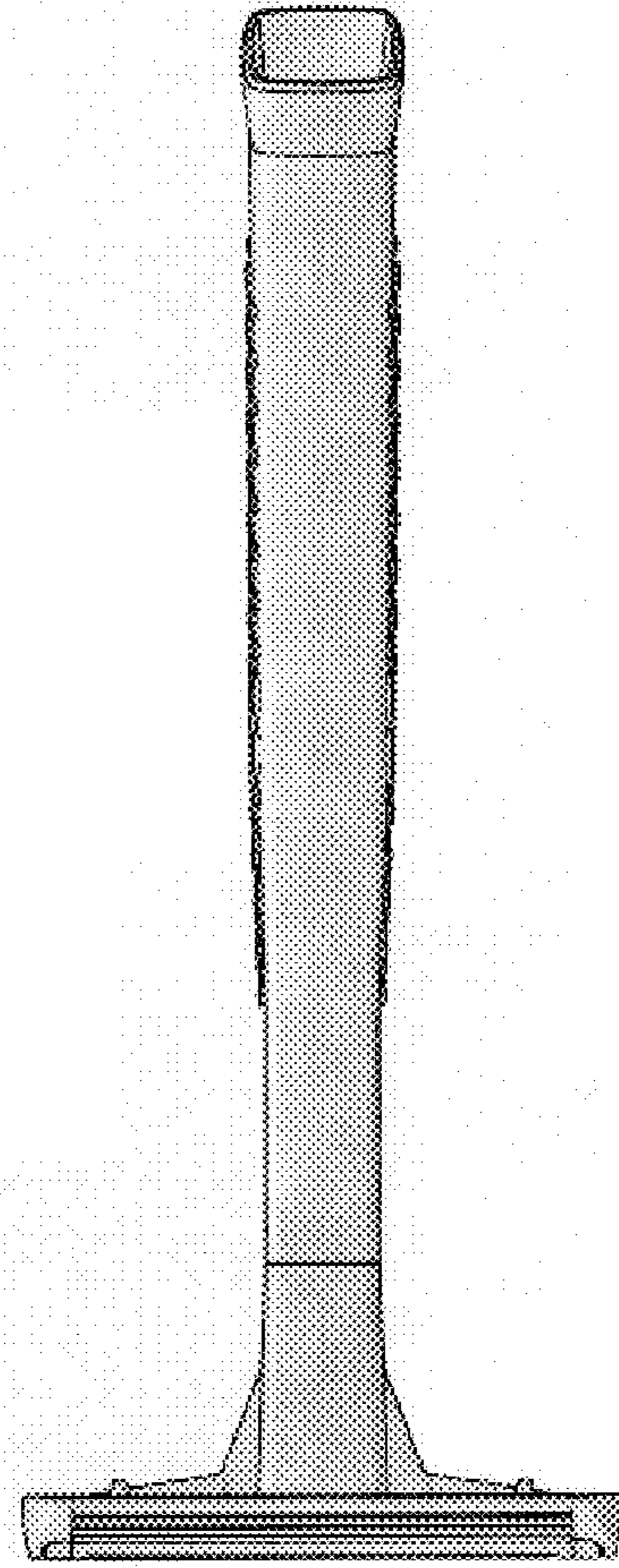
**FIG. 12**



**FIG. 13**



**FIG. 14**



**FIG. 15**