



US00D429541S

United States Patent [19]

[11] **Patent Number: Des. 429,541**

Hu

[45] **Date of Patent: ** Aug. 15, 2000**

[54] **SAFETY LIGHTER**

FOREIGN PATENT DOCUMENTS

[75] Inventor: **Yong Yuan Hu**, Rowland Hts, Calif.

808274 2/1991 Japan D27/141

[73] Assignee: **Zreative Product, Inc.**, South El Monte, Calif.

OTHER PUBLICATIONS

Blazer Pocket Micro Torch, 1993.

[**] Term: **14 Years**

Primary Examiner—Susan J. Lucas
Assistant Examiner—Jennifer Rivard

[21] Appl. No.: **29/110,364**

[57] CLAIM

[22] Filed: **Sep. 3, 1999**

The ornamental design for a safety lighter, as shown and as described.

[51] **LOC (7) Cl.** **27-05**

[52] **U.S. Cl.** **D27/154; D27/157**

[58] **Field of Search** D27/139, 141–161;
431/253–255, 129, 132, 135, 138–143,
267

DESCRIPTION

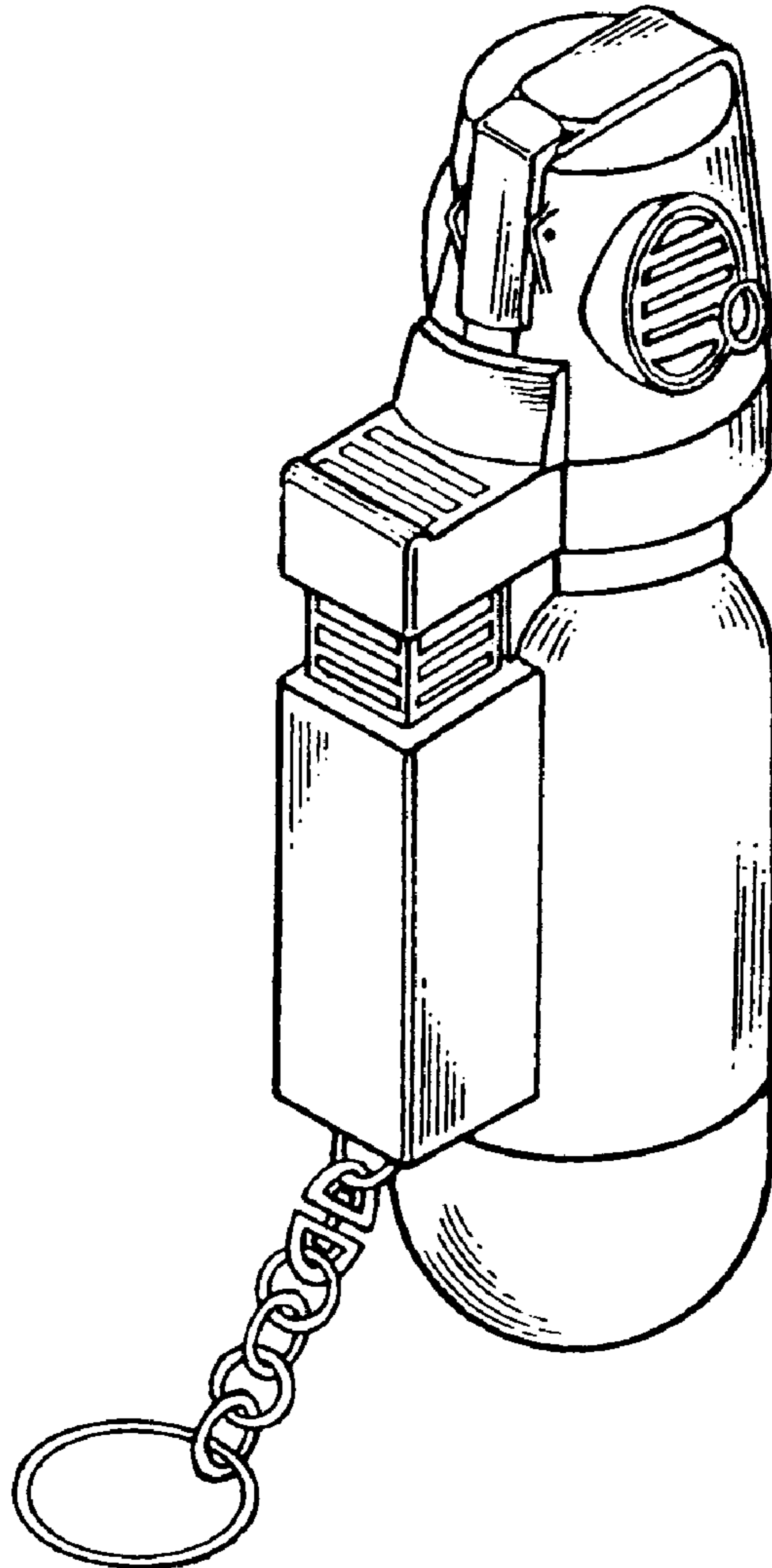
FIG. 1 is a perspective view showing my new design.
FIG. 2 is a front view thereof.
FIG. 3 is a left end view thereof.
FIG. 4 is a right end view thereof.
FIG. 5 is a top view thereof; and,
FIG. 6 is a bottom view thereof.

[56] References Cited

U.S. PATENT DOCUMENTS

- D. 297,269 8/1988 Yoshinaga D27/148
- D. 311,968 11/1990 Porshe D27/158

1 Claim, 3 Drawing Sheets



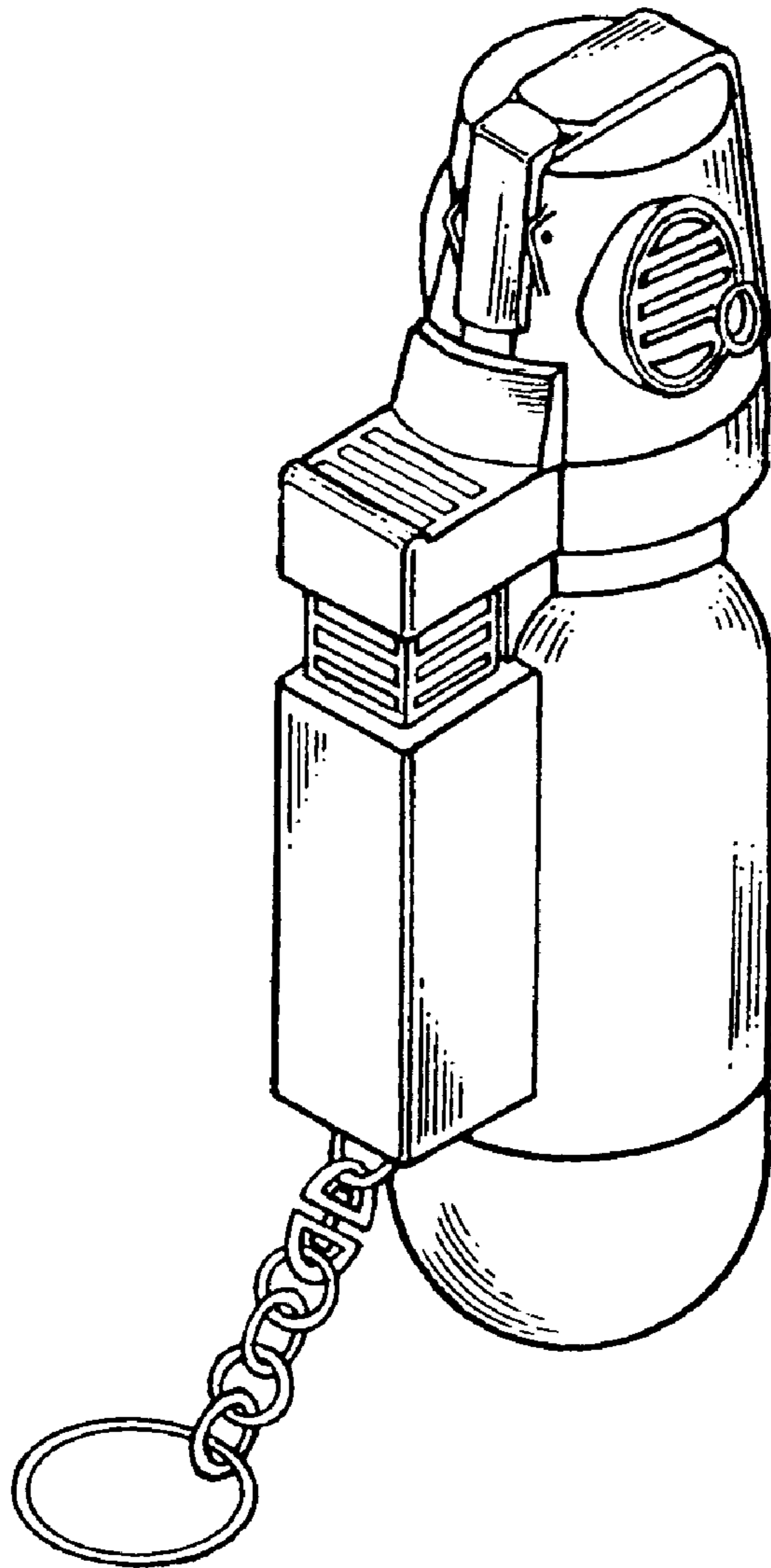


FIG. 1

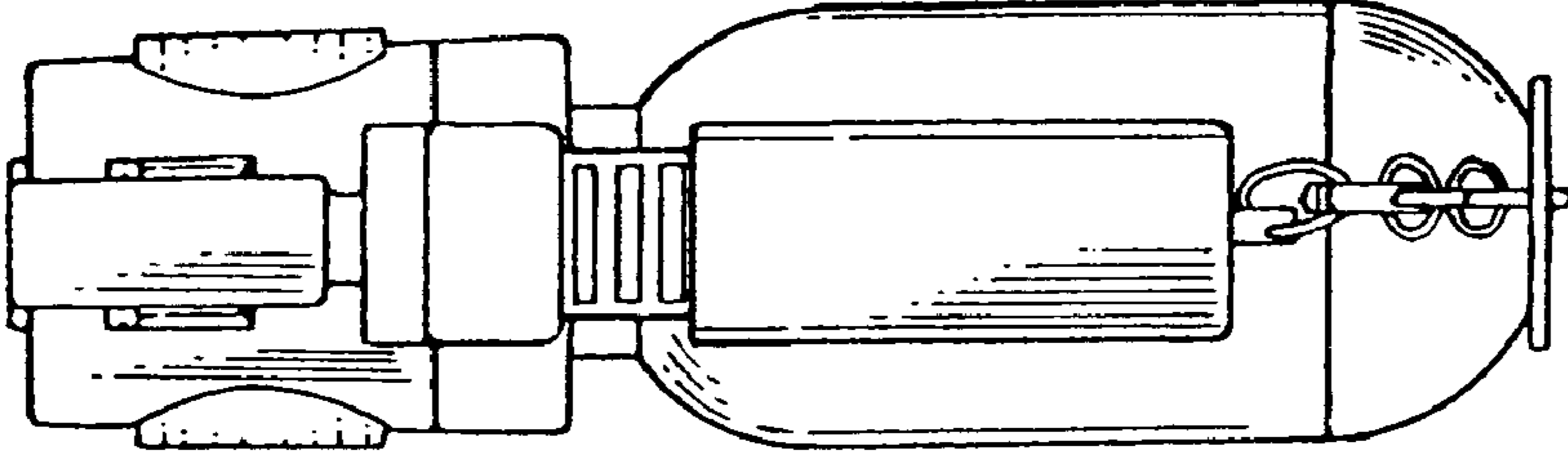


FIG 4

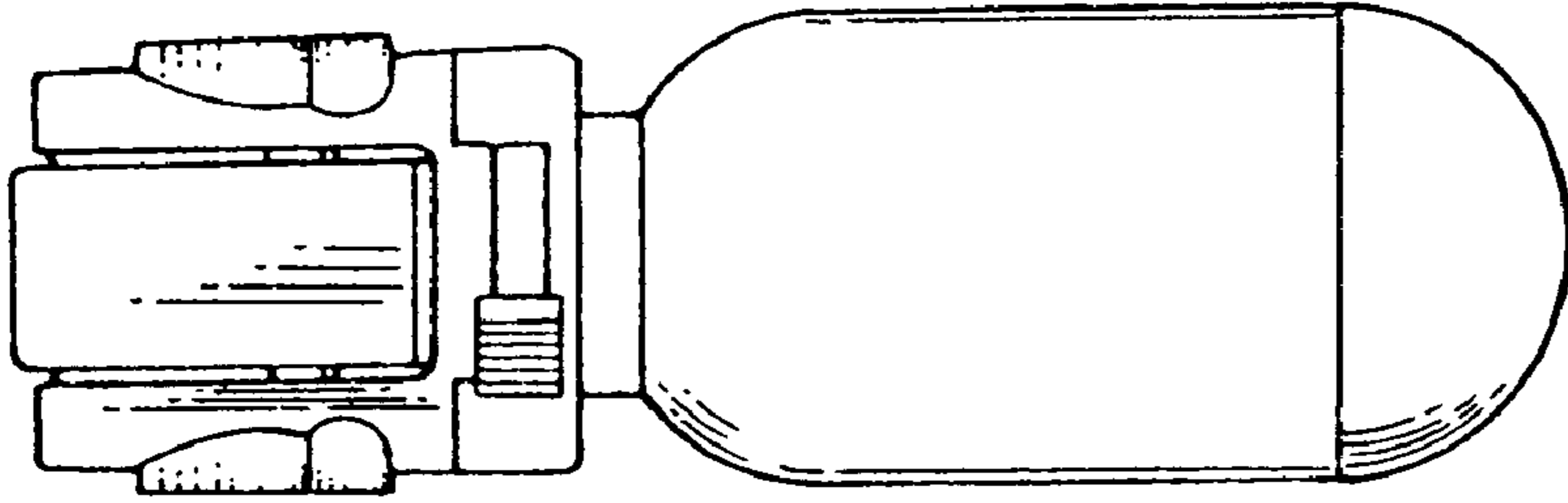


FIG. 3

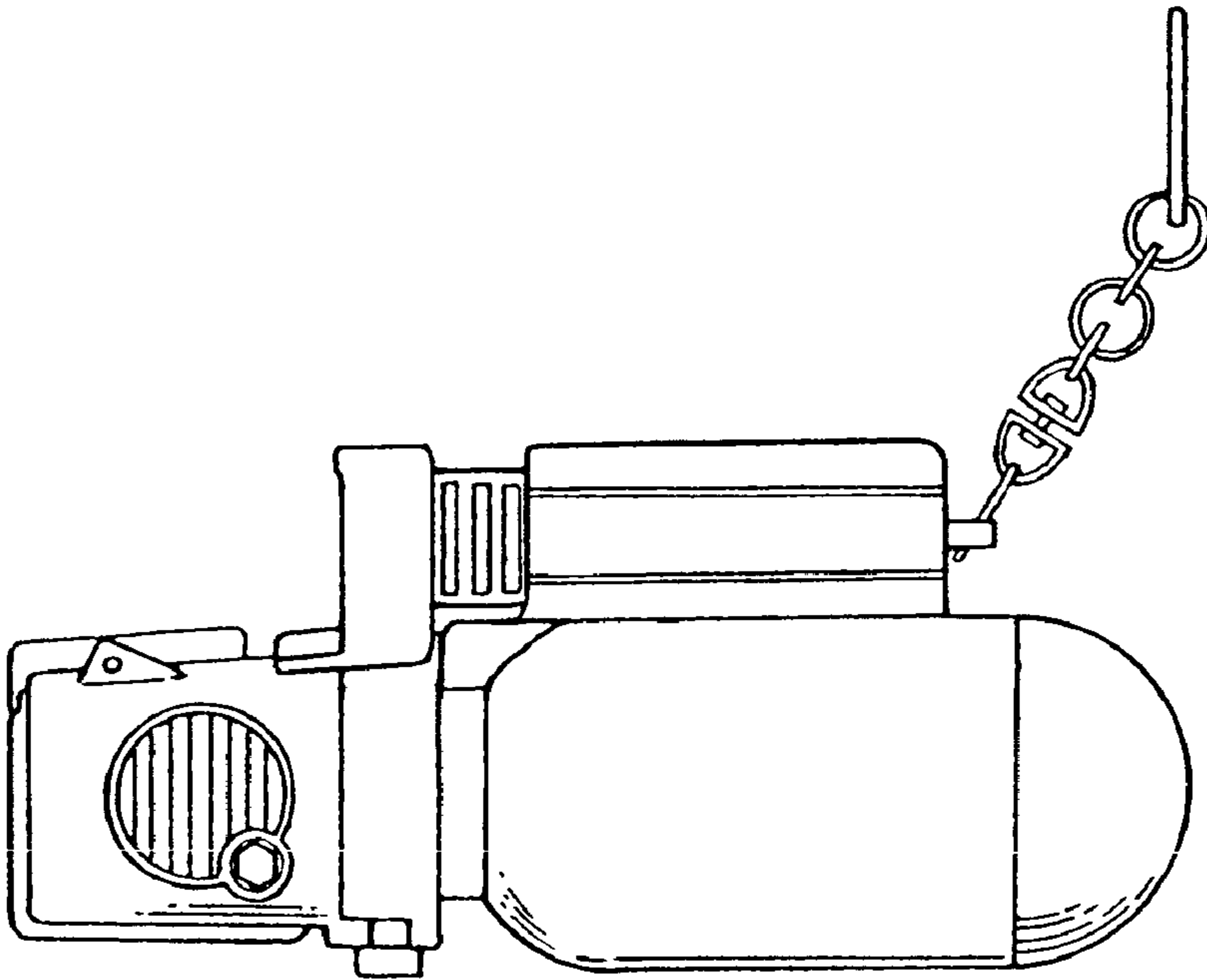


FIG. 2

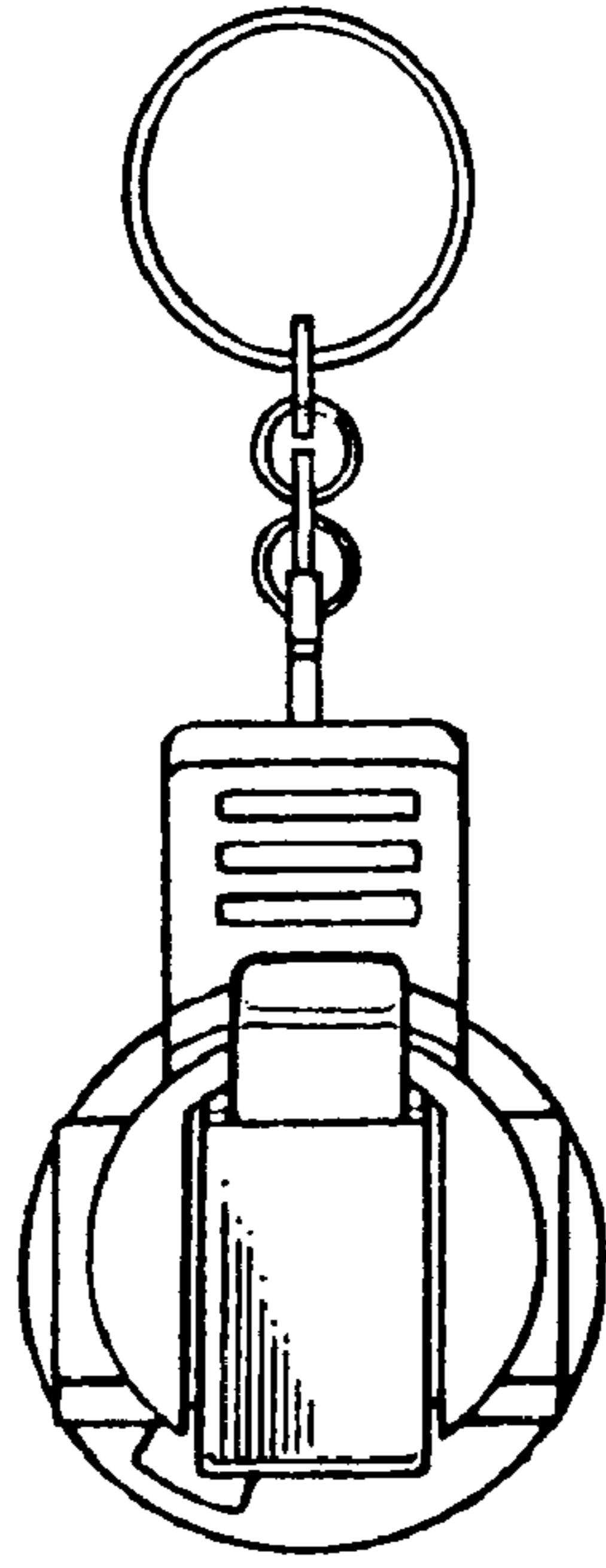


FIG. 5

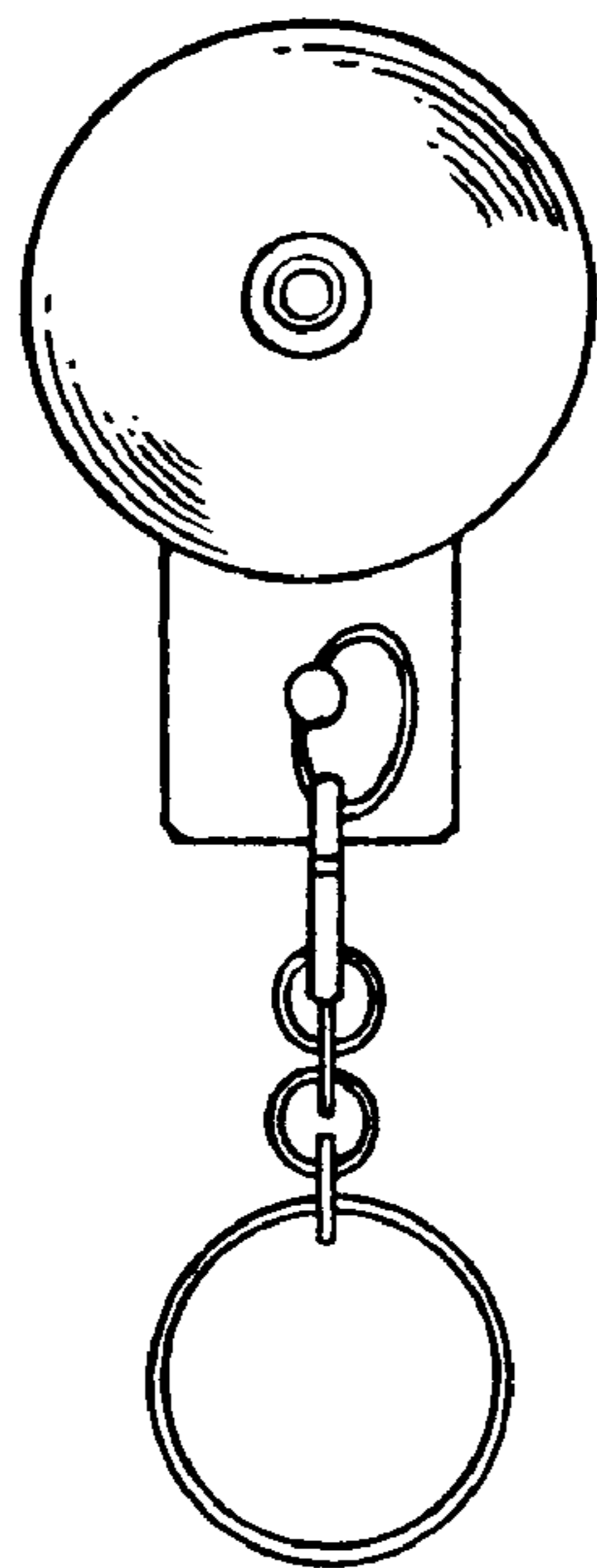


FIG. 6