



US00D429538S

United States Patent [19]
Milicia

[11] **Patent Number: Des. 429,538**

[45] **Date of Patent: ** Aug. 15, 2000**

[54] **GLASS SHADE**

[75] Inventor: **Libbe A. Milicia**, North Royalton, Ohio

[73] Assignee: **The L.D. Kichler Co.**, Cleveland, Ohio

[**] Term: **14 Years**

[21] Appl. No.: **29/110,934**

[22] Filed: **Sep. 16, 1999**

[51] **LOC (7) Cl.** **26-05**

[52] **U.S. Cl.** **D26/129**

[58] **Field of Search** D26/128-137,
D26/125; 362/326, 333, 335, 336, 337,
338, 339, 348, 350, 351, 340

[56] **References Cited**

U.S. PATENT DOCUMENTS

D. 395,096	6/1998	Keen	D26/131
D. 397,491	8/1998	Hsu	D26/127
D. 411,329	6/1999	Miranda	D26/127

Primary Examiner—Susan J. Lucas

Attorney, Agent, or Firm—Watts, Hoffmann, Fisher & Heine, Co., L.P.A.

[57] **CLAIM**

I claim the ornamental design for a glass shade, as shown and described.

DESCRIPTION

FIG. 1 is a perspective view of a glass shade showing my new design;

FIG. 2 is a front elevational view of the glass shade, the rear, right and left side elevational views being identical;

FIG. 3 is a top plan view of the glass shade;

FIG. 4 is a bottom plan view of the glass shade;

FIG. 5 is a perspective view of the second embodiment of the glass shade showing my new design;

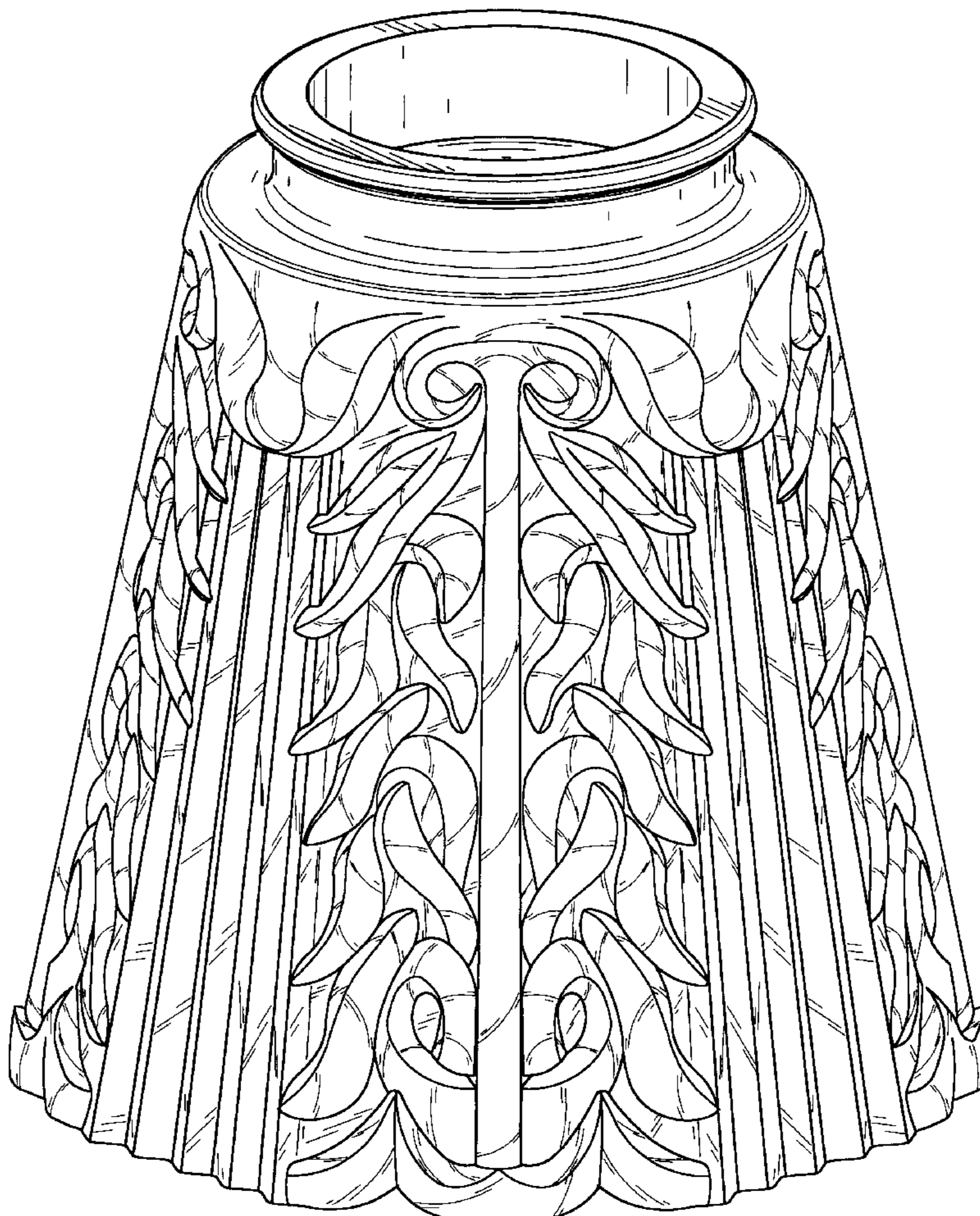
FIG. 6 is a front elevational view of the second embodiment of the glass shade, the rear, right and left side elevational views being identical;

FIG. 7 is a top plan view of the second embodiment of the glass shade; and,

FIG. 8 is a bottom plan view of the second embodiment of the glass shade.

The broken lines shown are for illustrative purposes only and form no part of the claimed design.

1 Claim, 6 Drawing Sheets



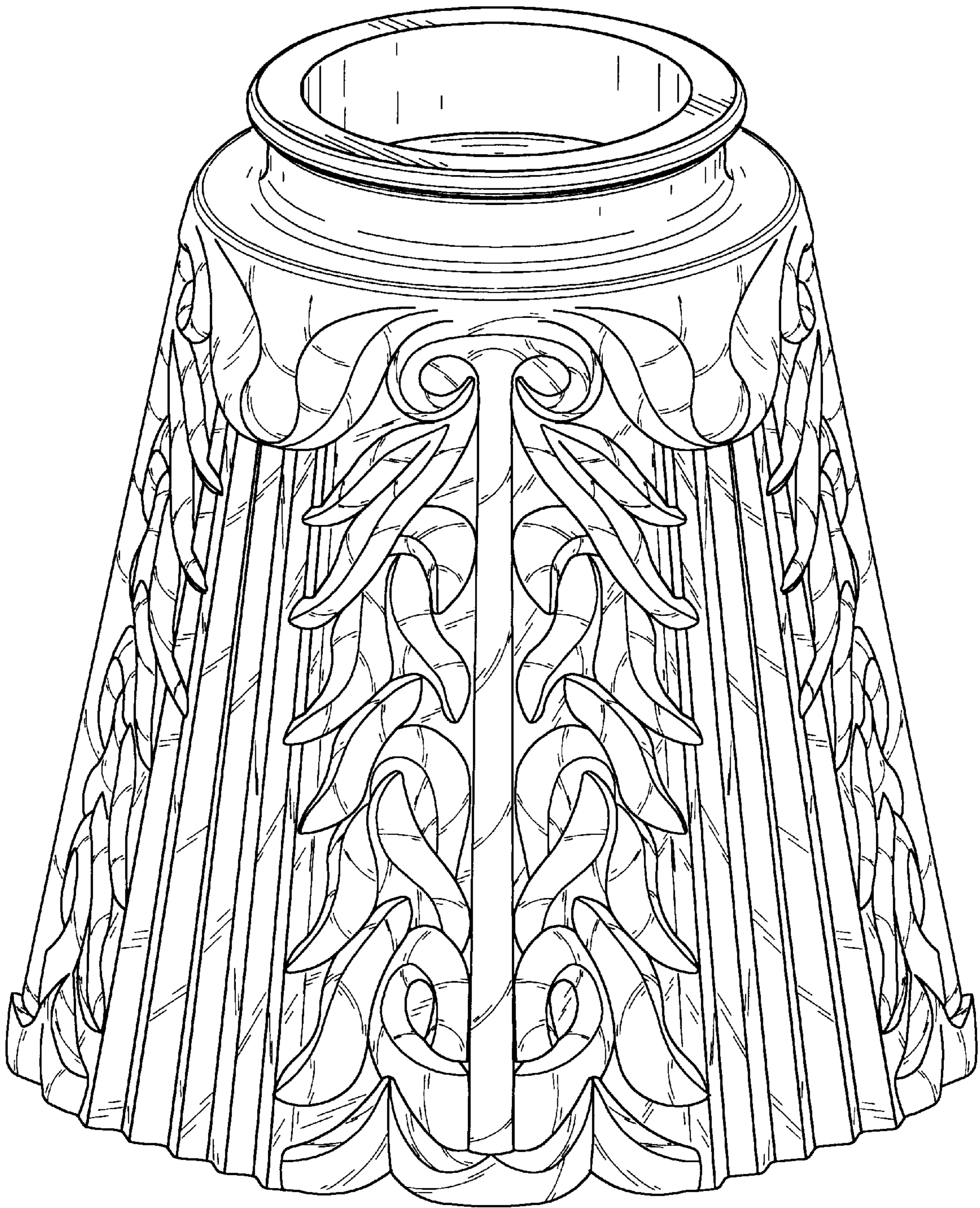


Fig.1

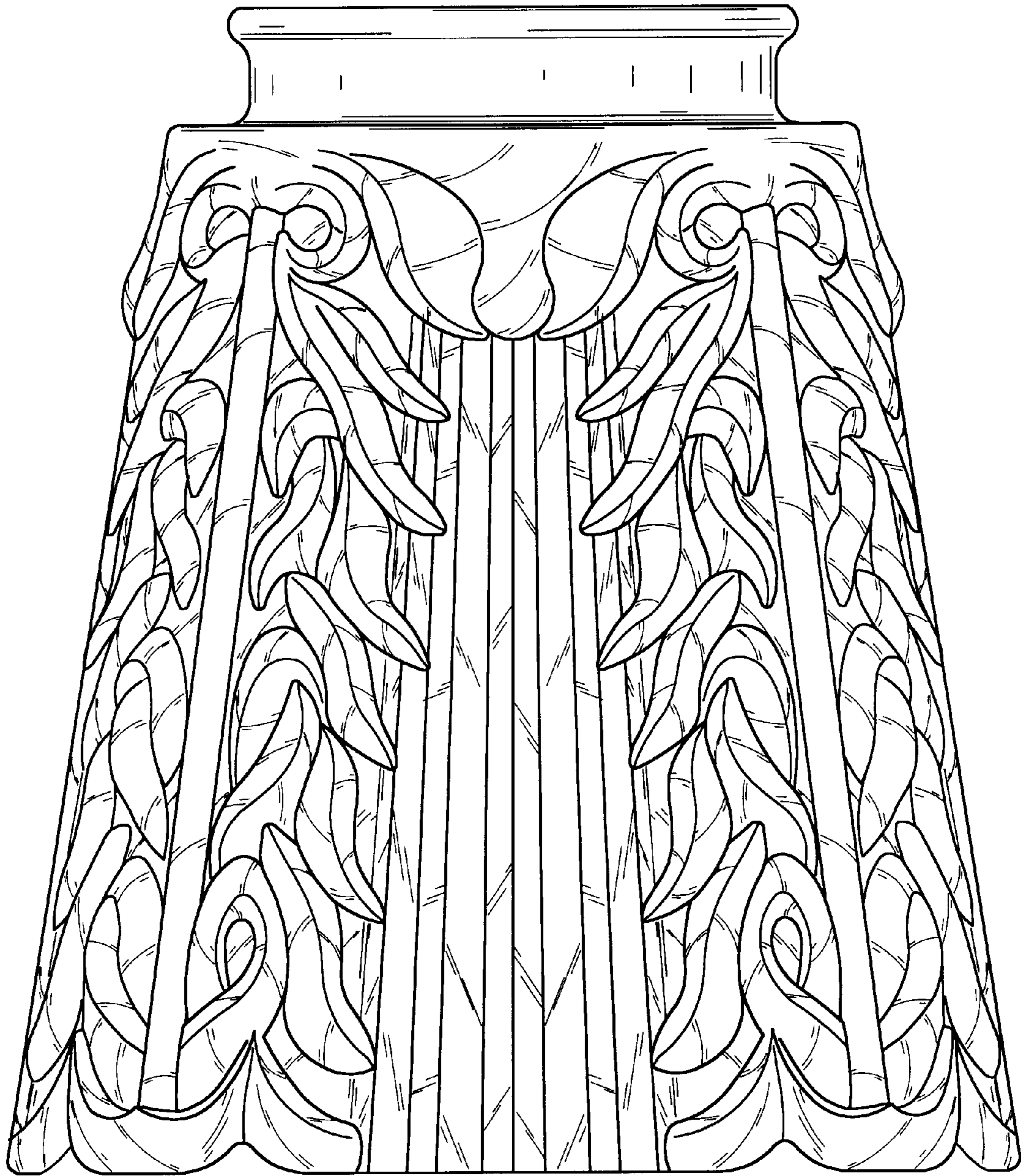


Fig.2

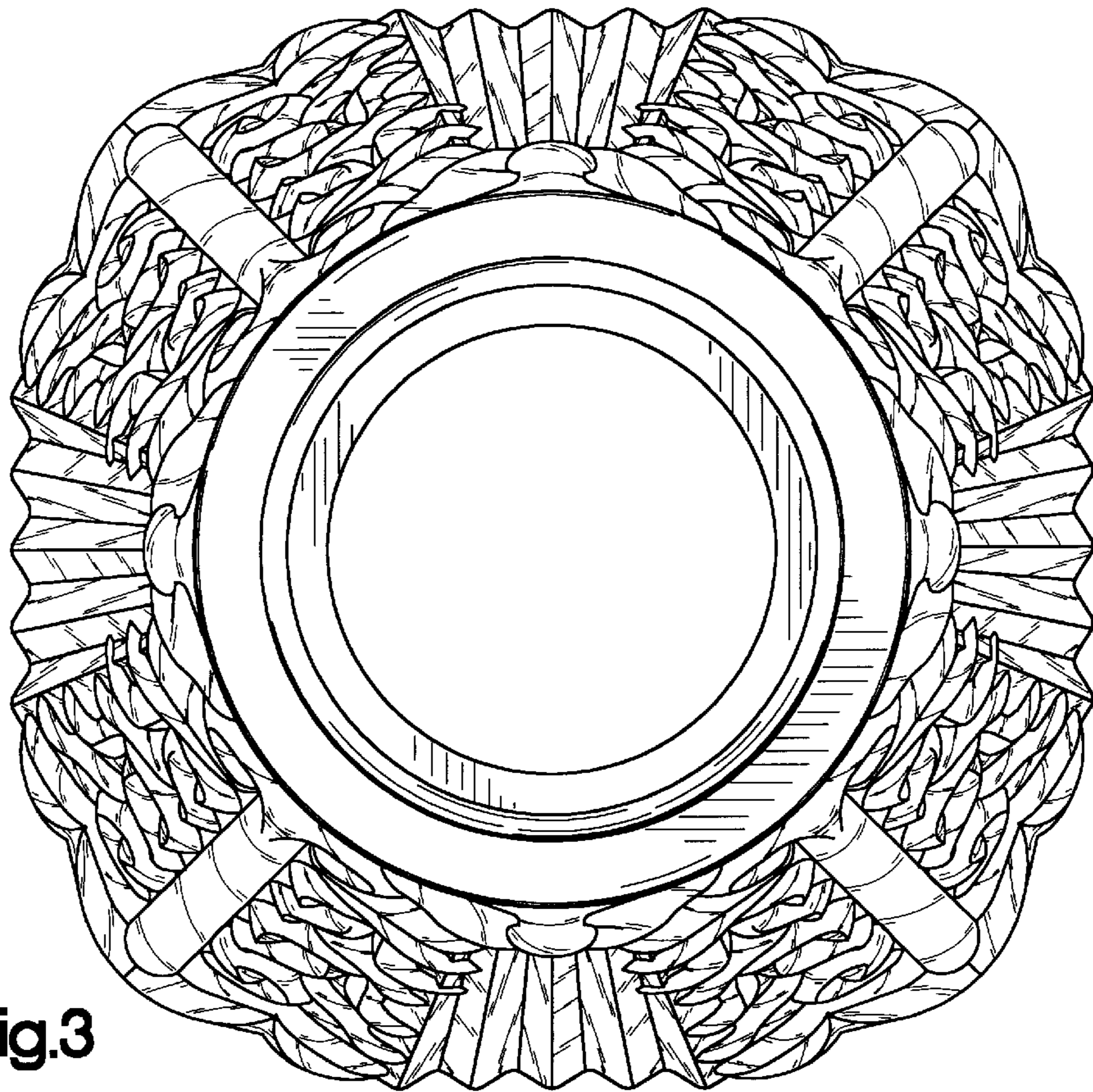


Fig.3

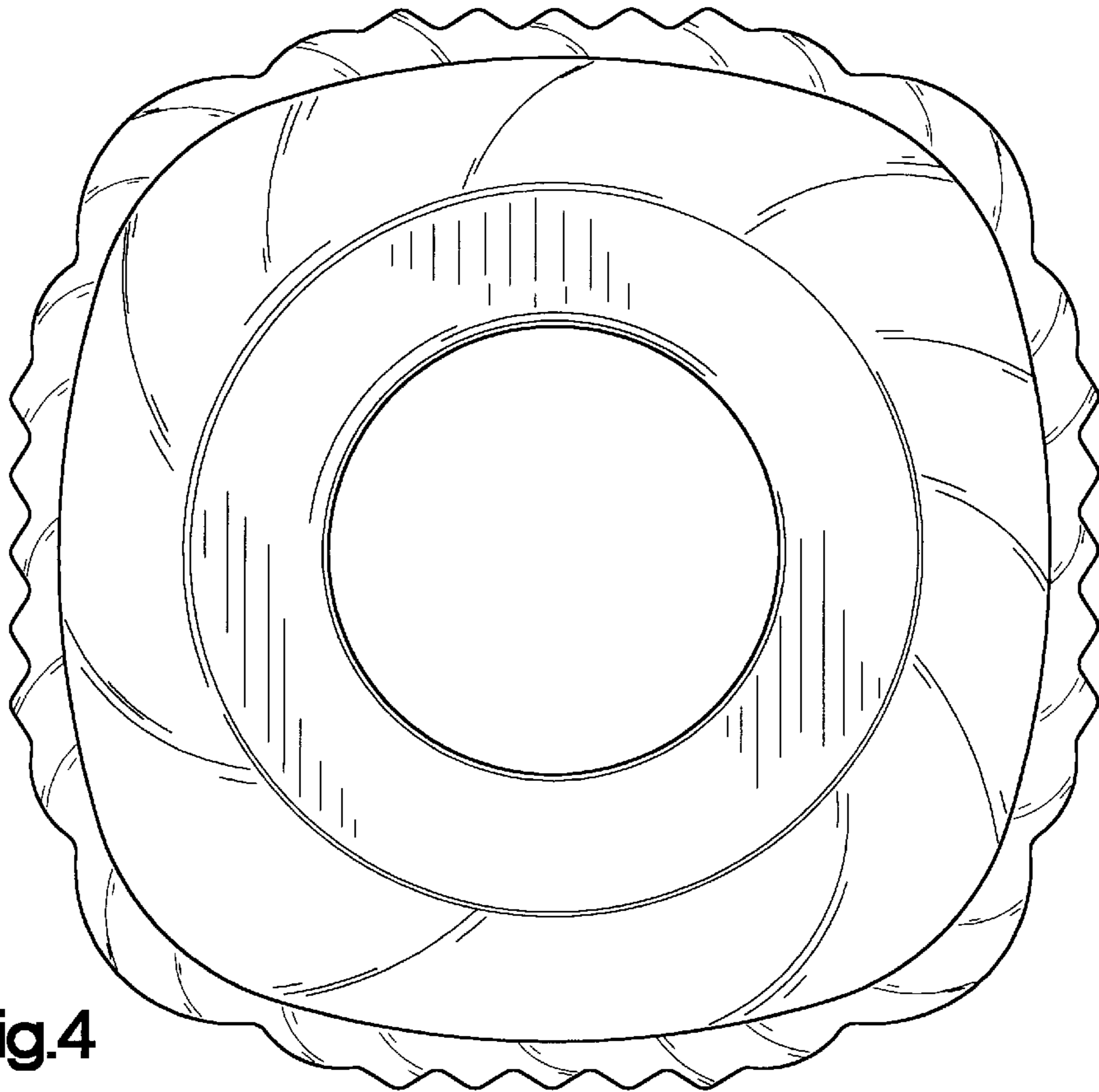


Fig.4

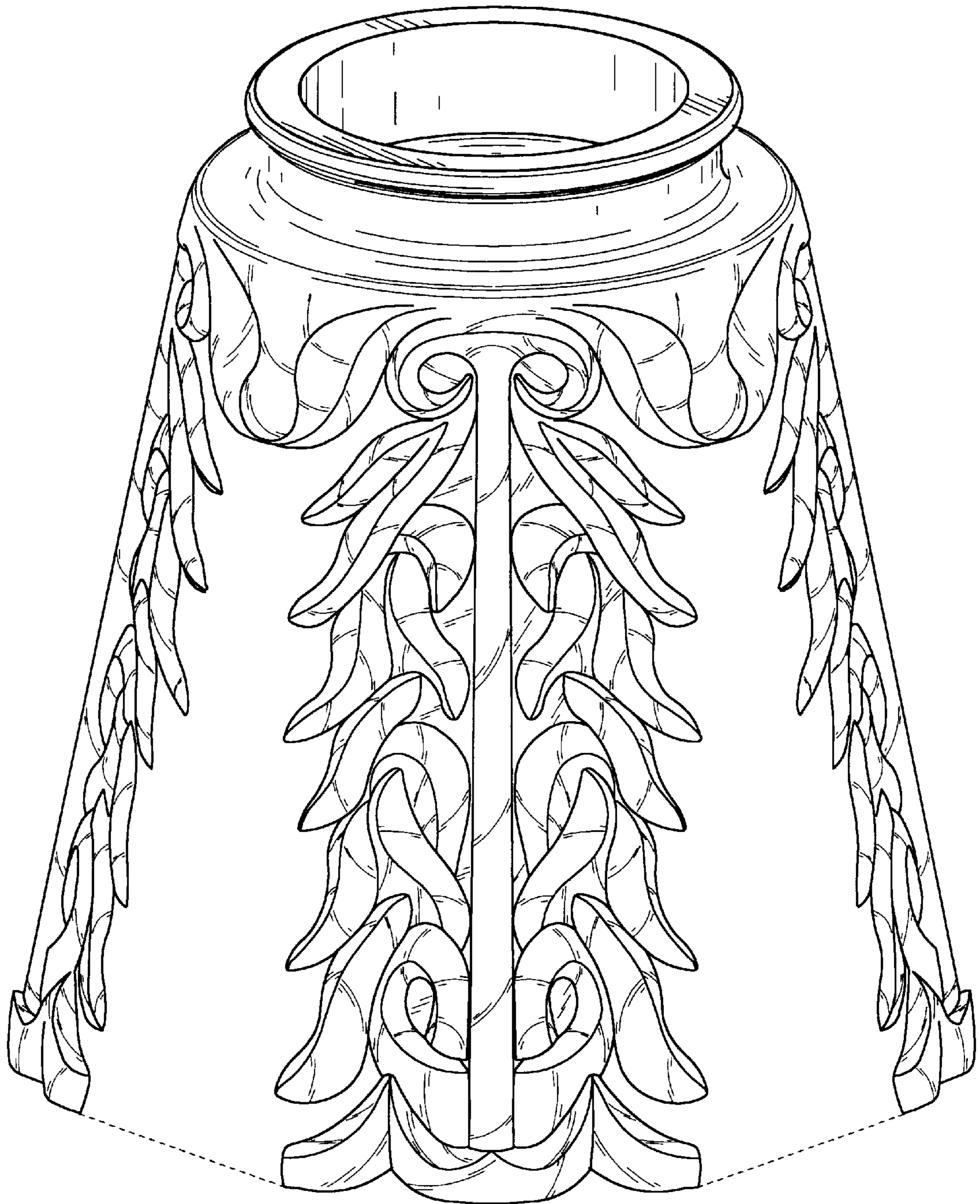


Fig.5

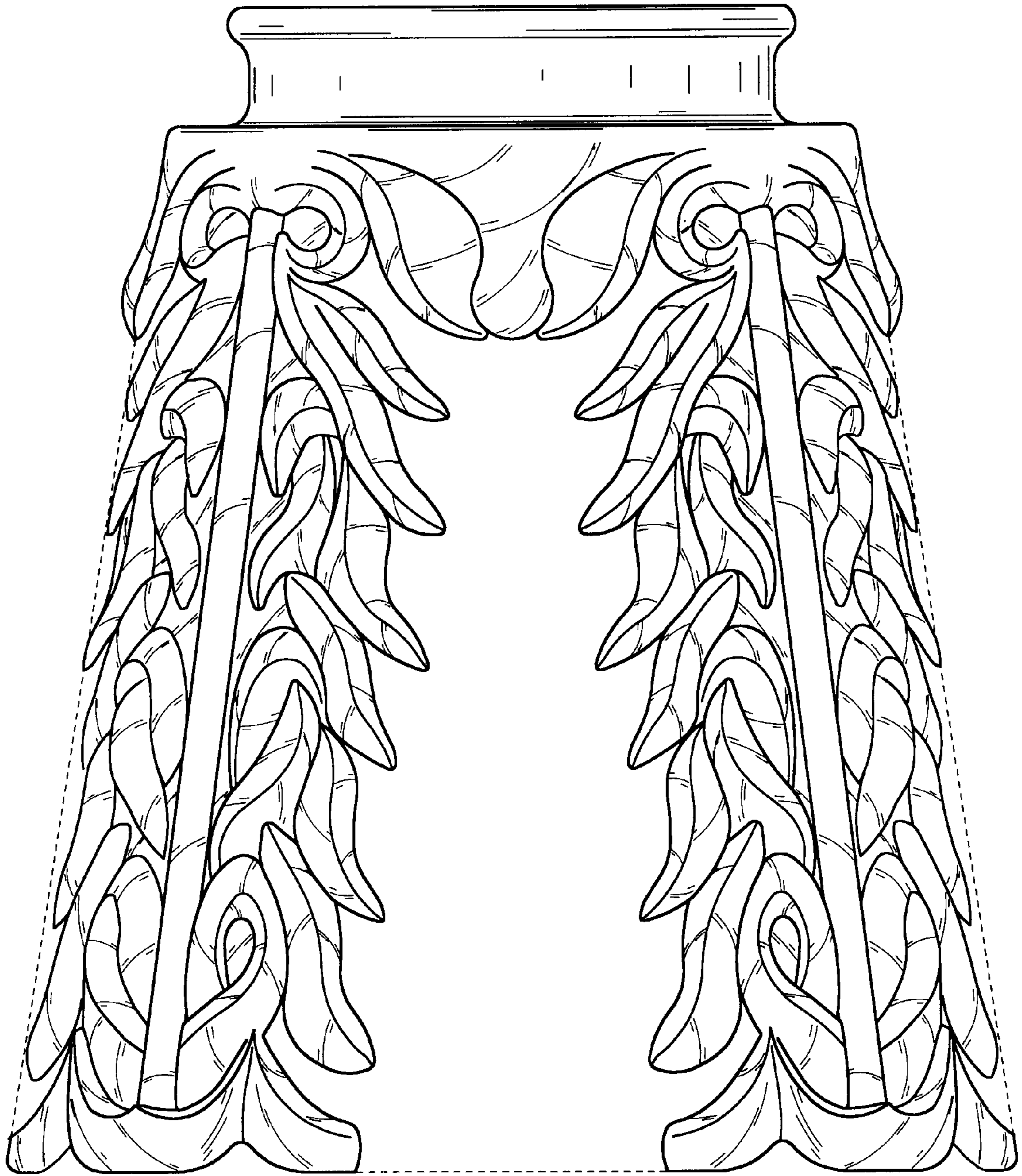


Fig.6

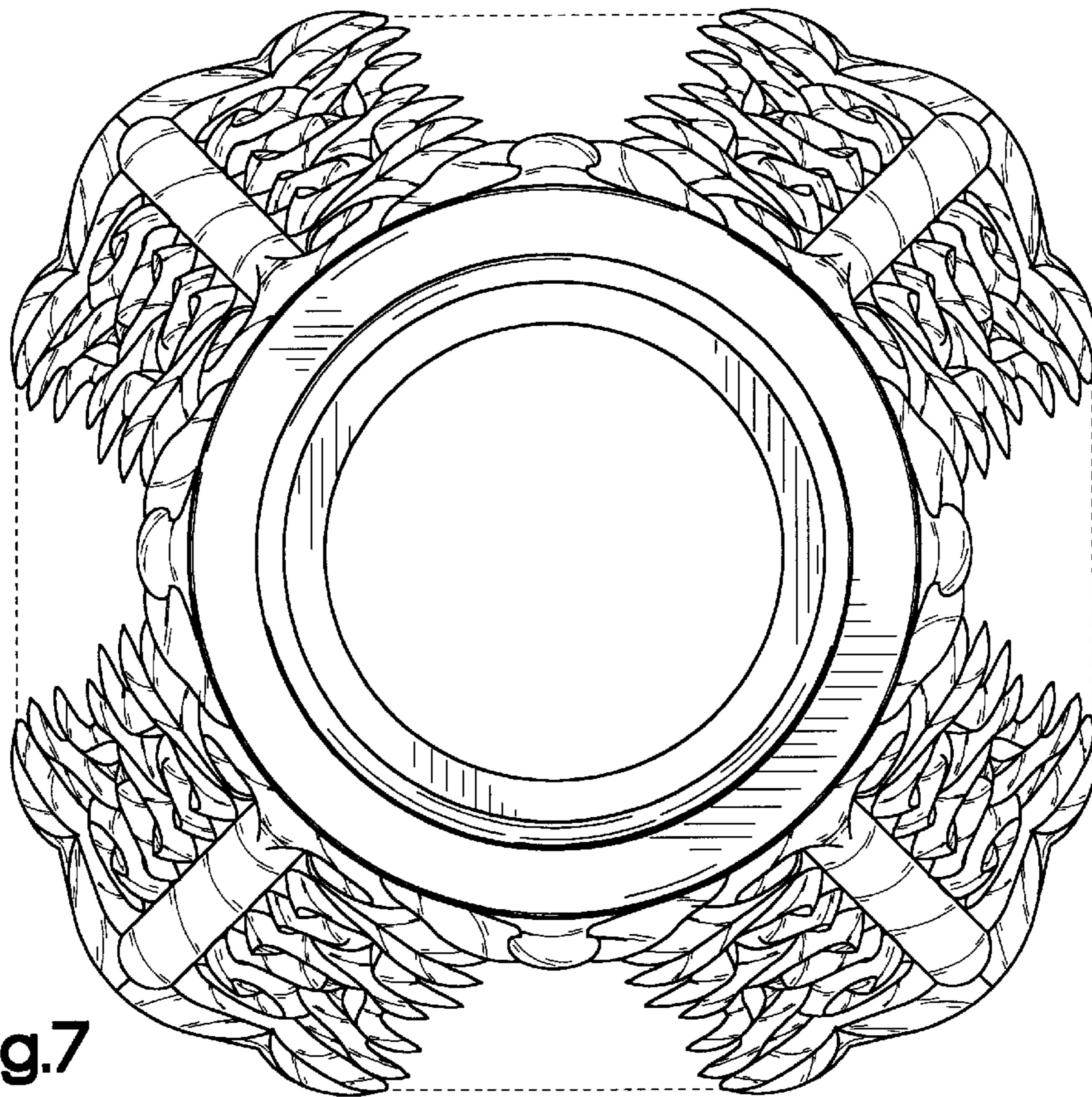


Fig.7

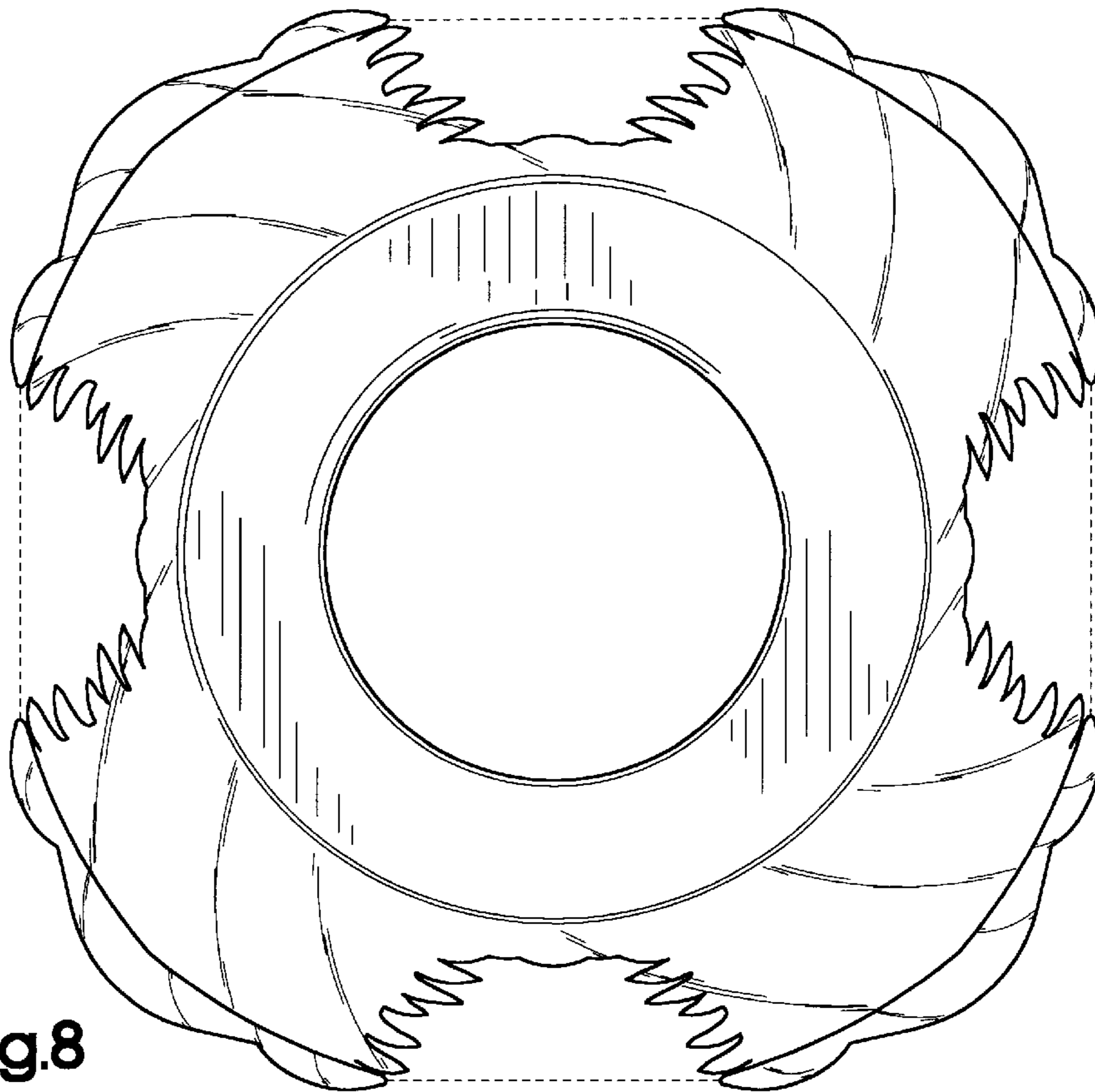


Fig.8