



US00D429537S

United States Patent [19]

Sherman

[11] Patent Number: Des. 429,537

[45] Date of Patent: ** Aug. 15, 2000

[54] TORCHIERE FLOOR LAMP

[75] Inventor: Roger Neil Sherman, Jamaica Plain, Mass.

[73] Assignee: Tensor Corporation, Chelsea, Mass.

[**] Term: 14 Years

[21] Appl. No.: 29/110,058

[22] Filed: Aug. 27, 1999

[51] LOC (7) Cl. 26-03

[52] U.S. Cl. D26/110

[58] Field of Search D26/93-112; 362/410-414

[56] References Cited

U.S. PATENT DOCUMENTS

- D. 394,729 5/1998 Lee .
- D. 399,334 10/1998 Lo D26/102
- 5,603,562 2/1997 Huang .

OTHER PUBLICATIONS

Taiwan Lighting, p. 154, Floor Lamp (A), right side of page, Aug. 1997.

Primary Examiner—Lisa Lichtenstein

Attorney, Agent, or Firm—James H. Beusse; Holland & Knight LLP

[57] CLAIM

The ornamental design for a torchiere floor lamp, as shown and described.

DESCRIPTION

FIG. 1 is a perspective view of a torchiere floor lamp showing my new design;

FIG. 2 is a right side elevational view thereof;

FIG. 3 is a left side elevational view thereof;

FIG. 4 is a front elevational view;

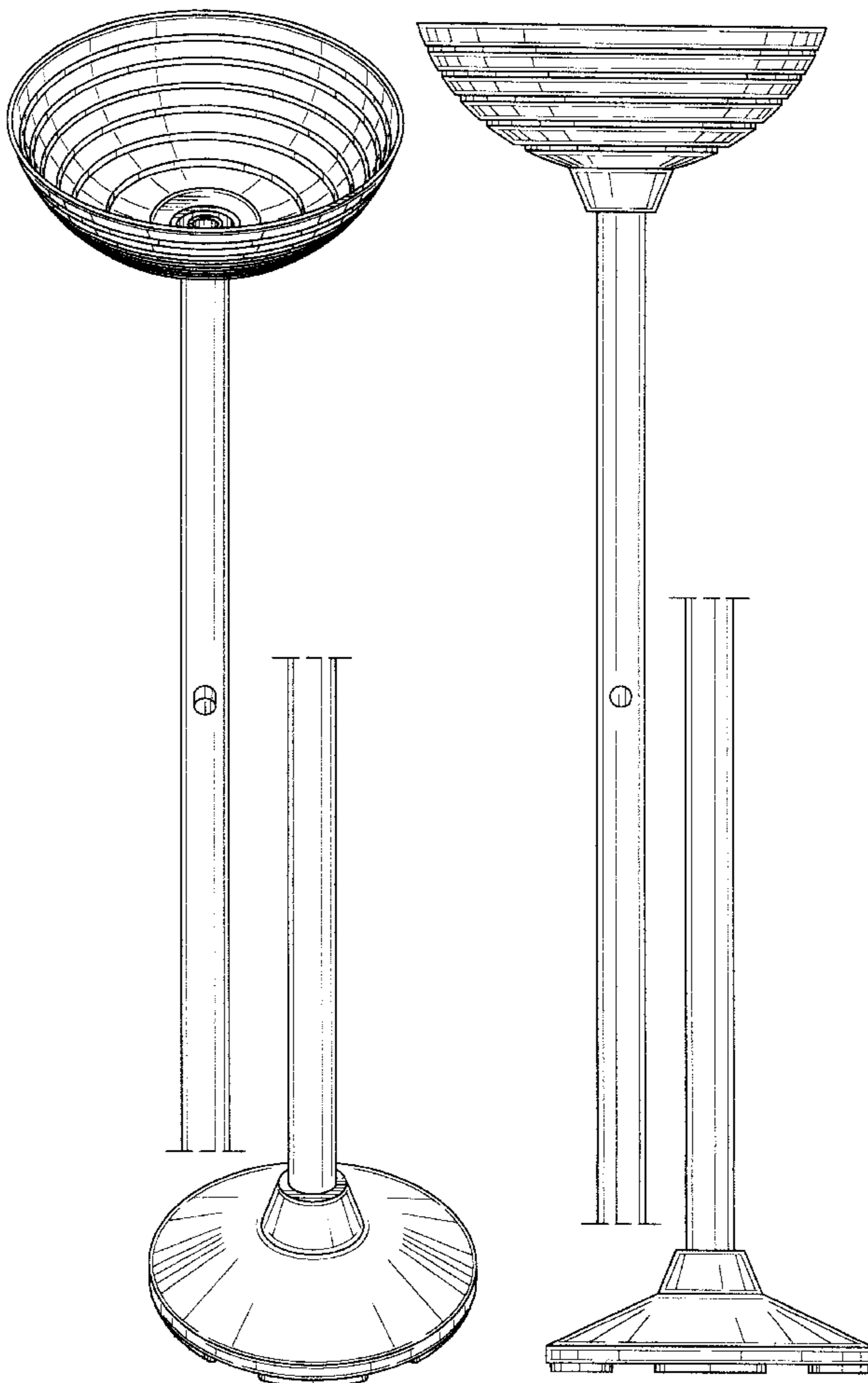
FIG. 5 is a rear elevational view thereof;

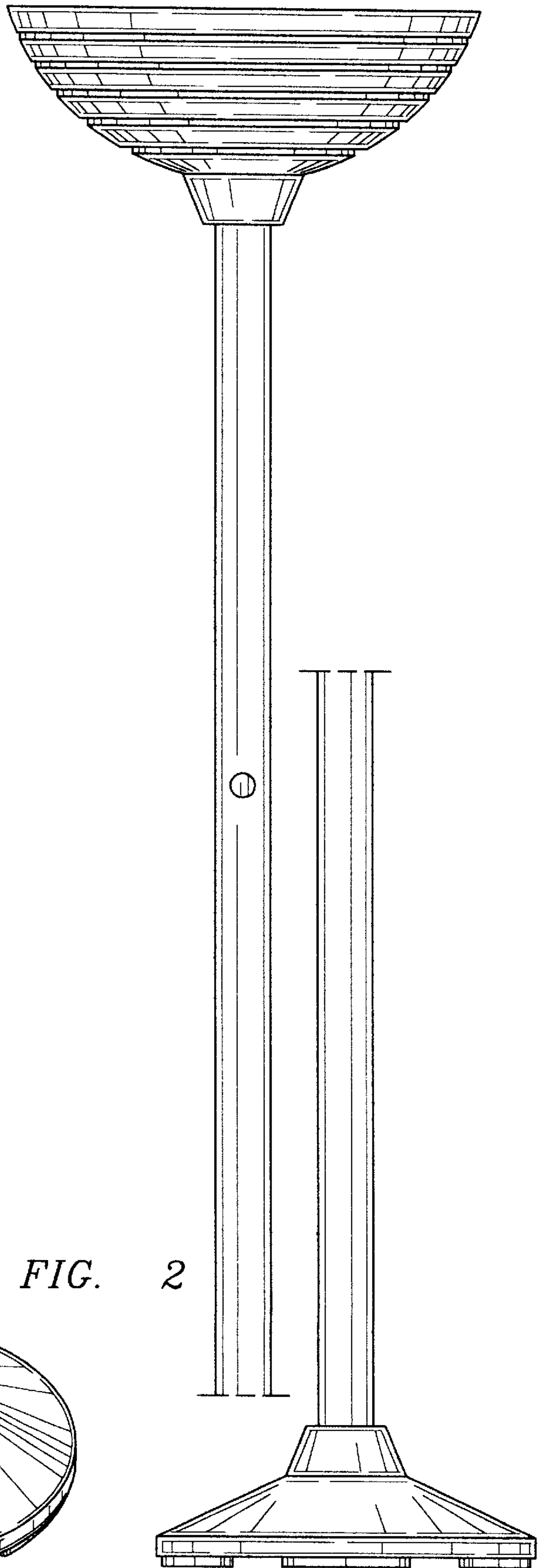
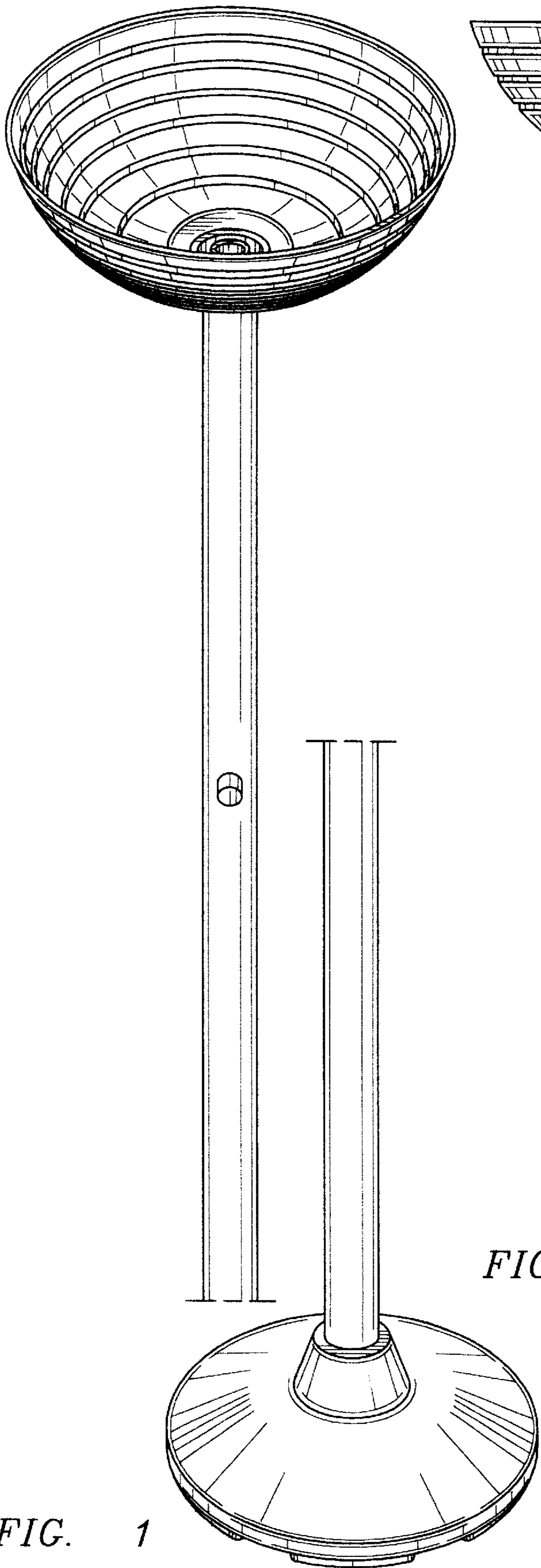
FIG. 6 is a top plan view thereof; and,

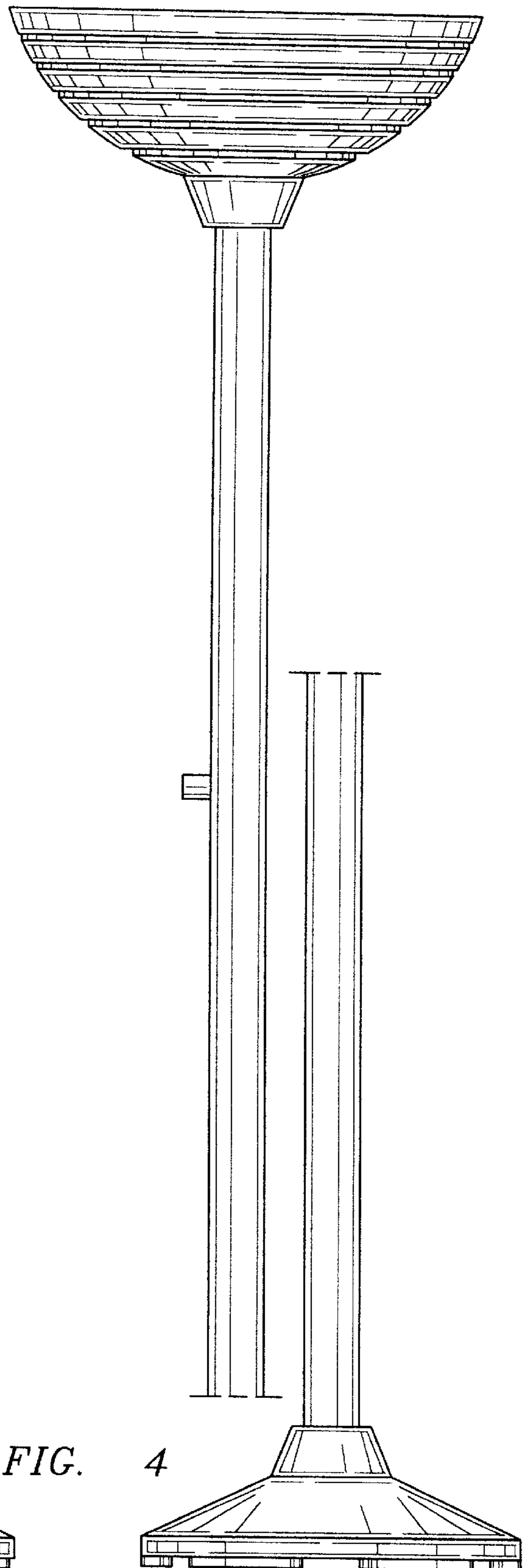
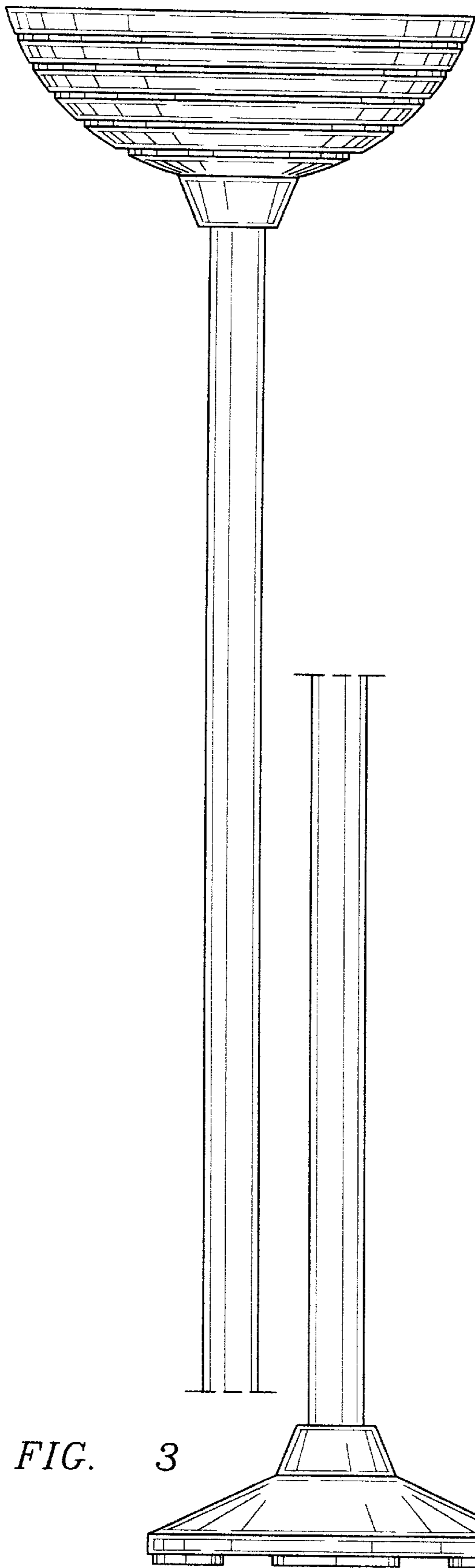
FIG. 7 is a bottom plan view thereof.

The stem has been shown broken away in the middle in FIGS. 1-5 to indicate indeterminate length.

1 Claim, 3 Drawing Sheets







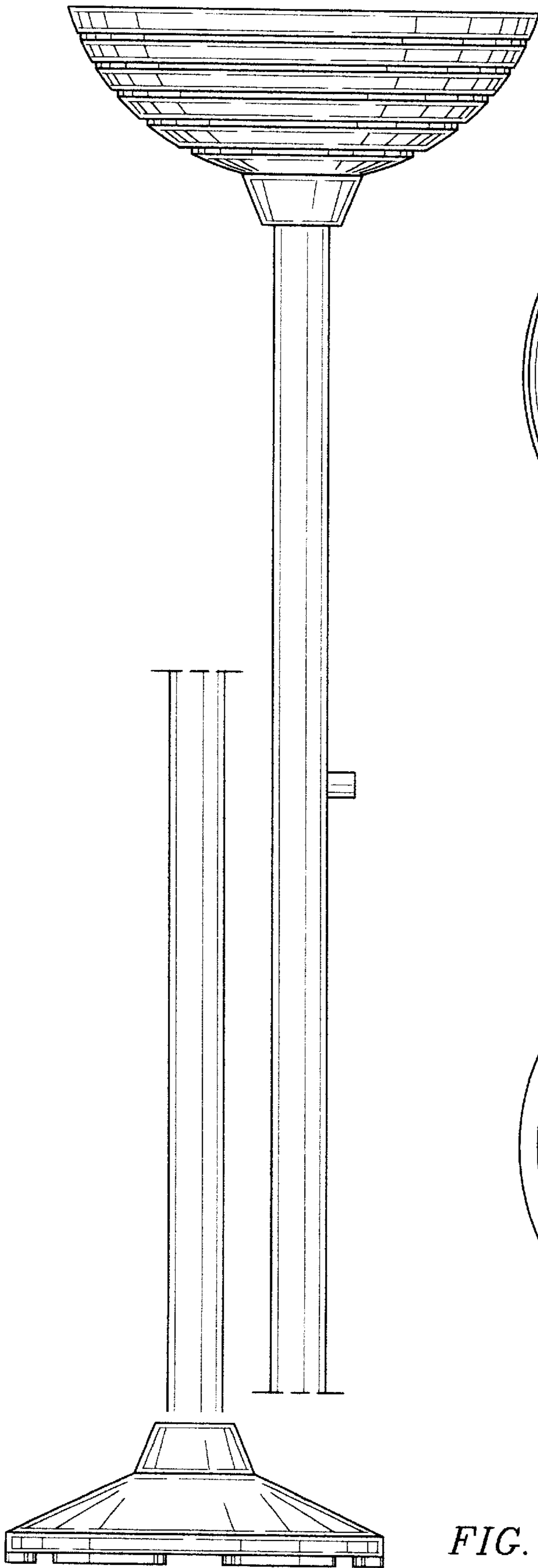


FIG. 5

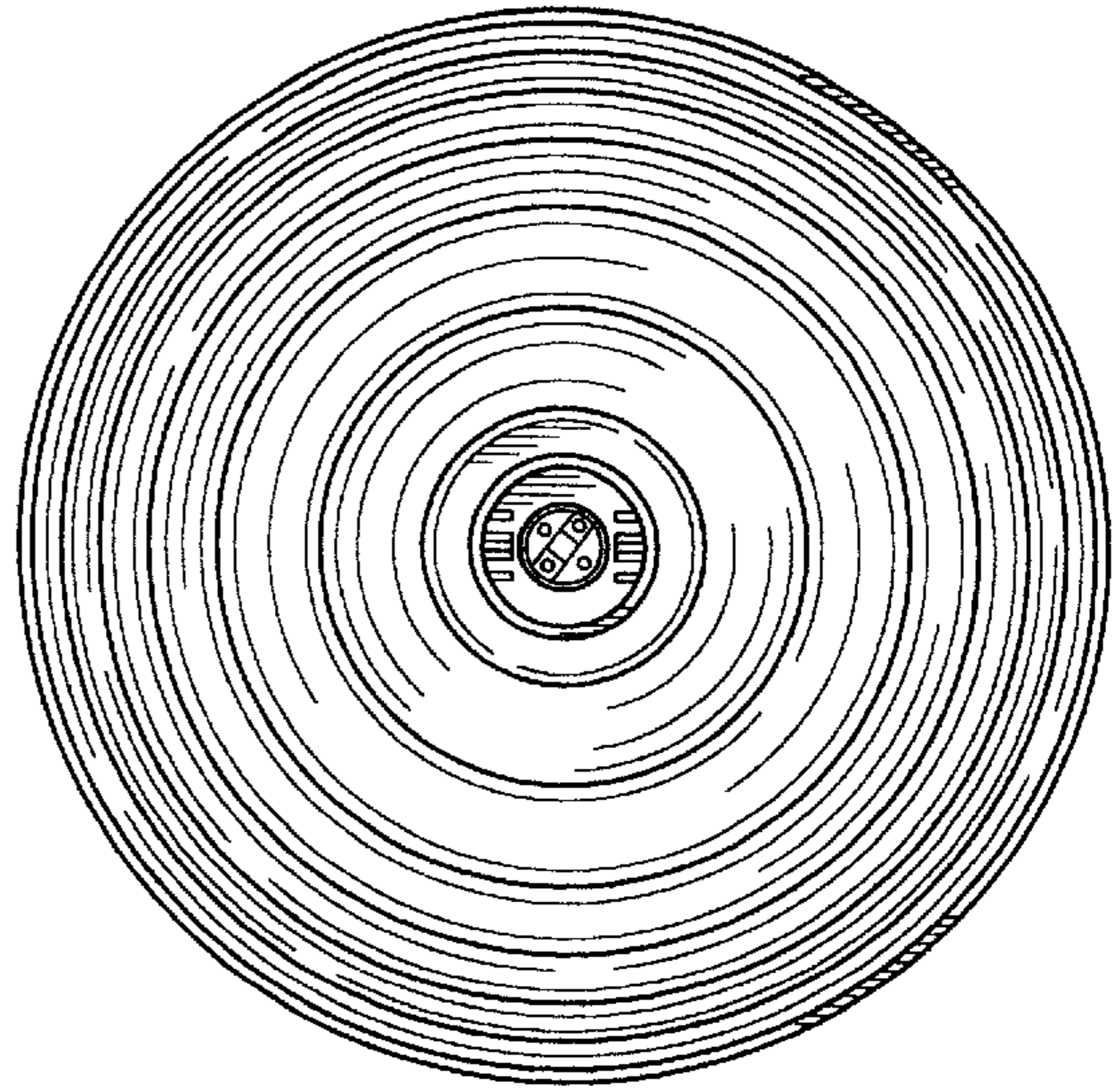


FIG. 6

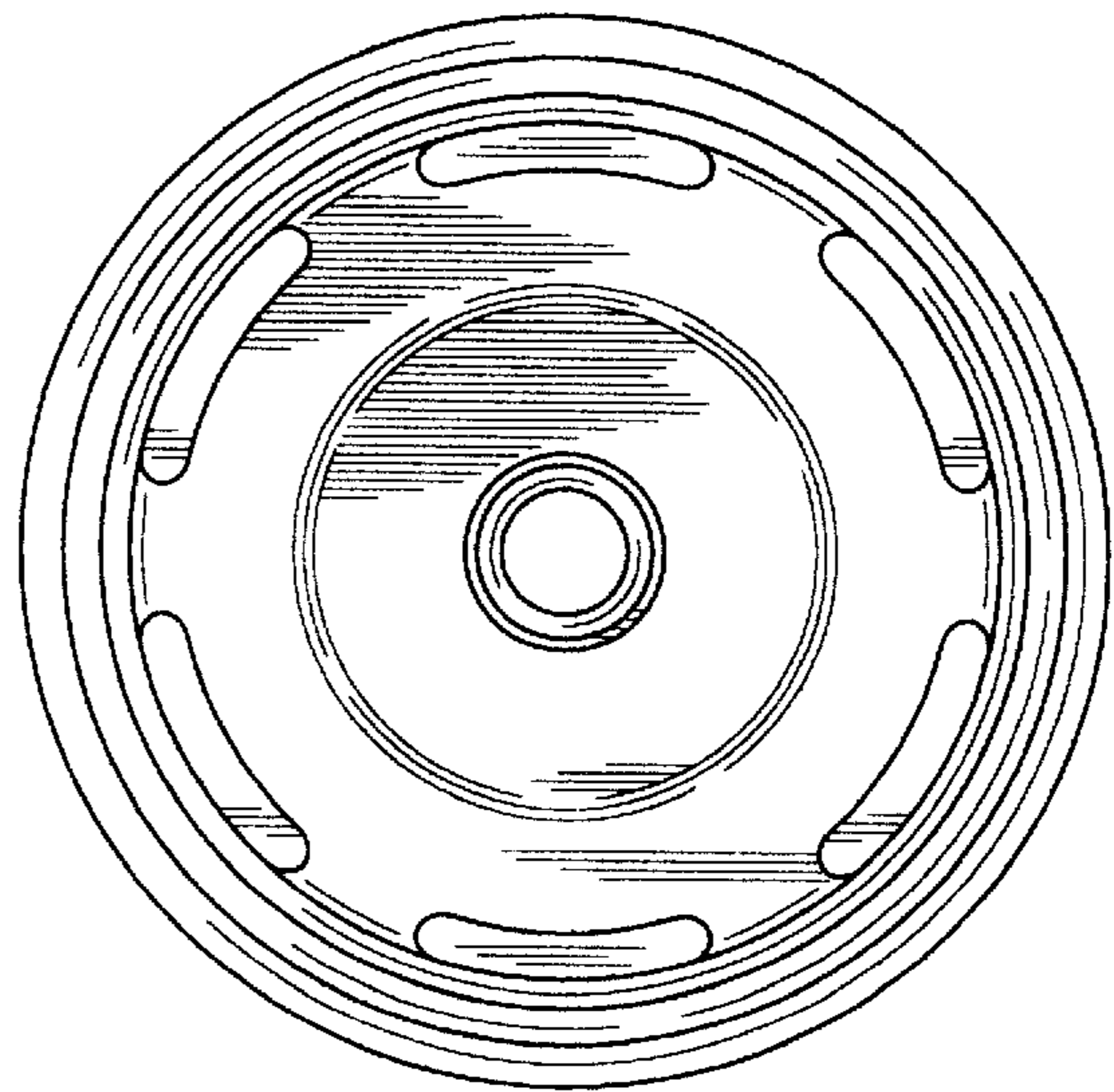


FIG. 7