



US00D429535S

United States Patent [19]

Swanson

[11] Patent Number: **Des. 429,535**

[45] Date of Patent: **** Aug. 15, 2000**

[54] **DESK LAMP HAVING ADJUSTABLE TASK LIGHTS AND GENERAL AREA LIGHTING**

[75] Inventor: **Dennis K. Swanson**, Woodland Hills, Calif.

[73] Assignee: **Pacific Coast Lighting**, Chatsworth, Calif.

[**] Term: **14 Years**

[21] Appl. No.: **29/102,038**

[22] Filed: **Mar. 16, 1999**

[51] **LOC (7) Cl.** **26-05**

[52] **U.S. Cl.** **D26/66; D26/107**

[58] **Field of Search** **D26/61, 62, 63, D26/64, 66, 65, 93, 102-112; 362/410-414, 269, 277, 287, 418, 419, 427**

[56] **References Cited**

U.S. PATENT DOCUMENTS

D. 369,424 4/1996 Swanson D26/63

OTHER PUBLICATIONS

Taiwan Lighting, Nov. 1997, p. 151, floor lamp.

Primary Examiner—Susan J. Lucas
Attorney, Agent, or Firm—Fulbright & Jaworski L.L.P.

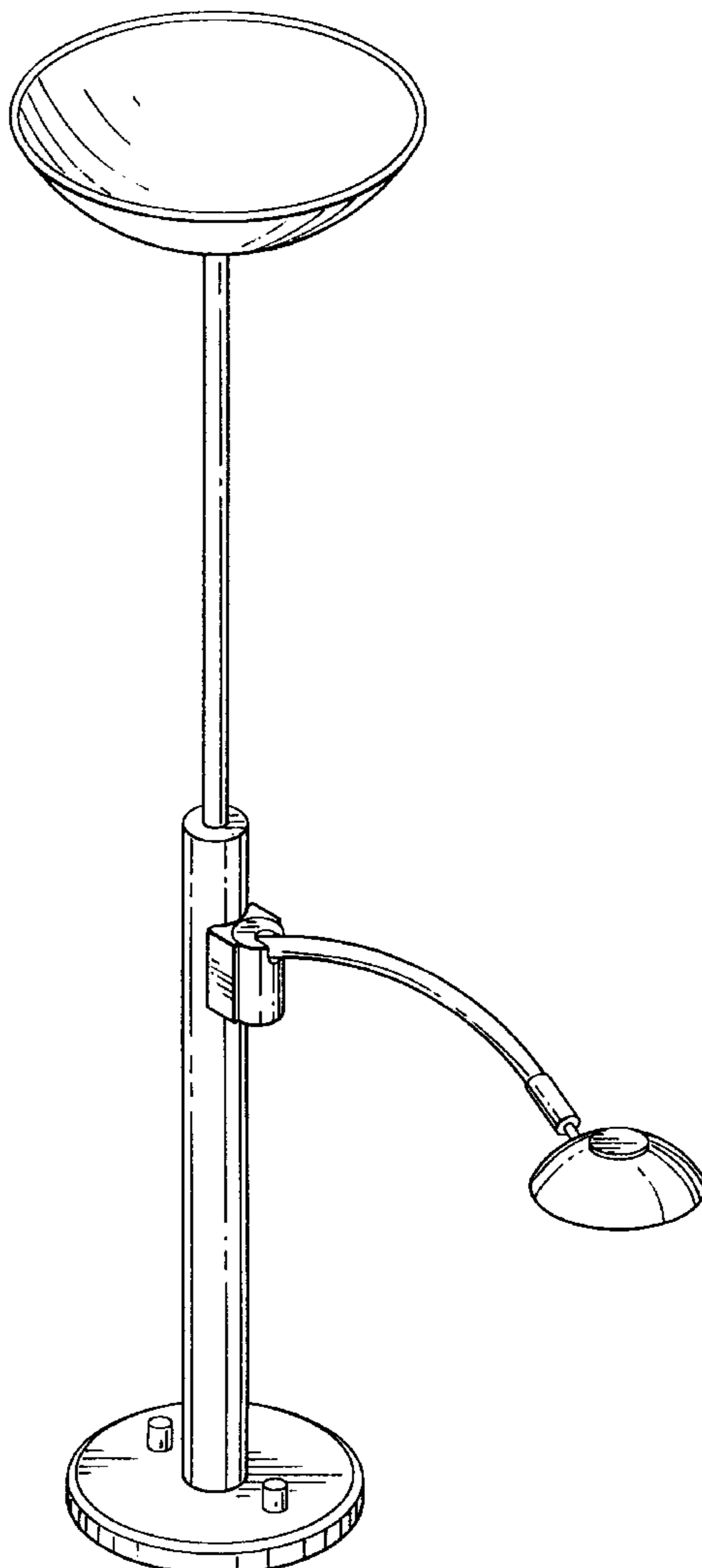
[57] **CLAIM**

The ornamental design for a desk lamp having adjustable task lights and general area lighting, as shown and described.

DESCRIPTION

FIG. 1 is a perspective view of a desk lamp having adjustable task lights and general area lighting of my invention; FIG. 2 is a front elevational view thereof; FIG. 3 is a rear elevational view thereof; FIG. 4 is a top plan view thereof; FIG. 5 is a right elevational view thereof; and, FIG. 6 is a left elevational view thereof.

1 Claim, 3 Drawing Sheets



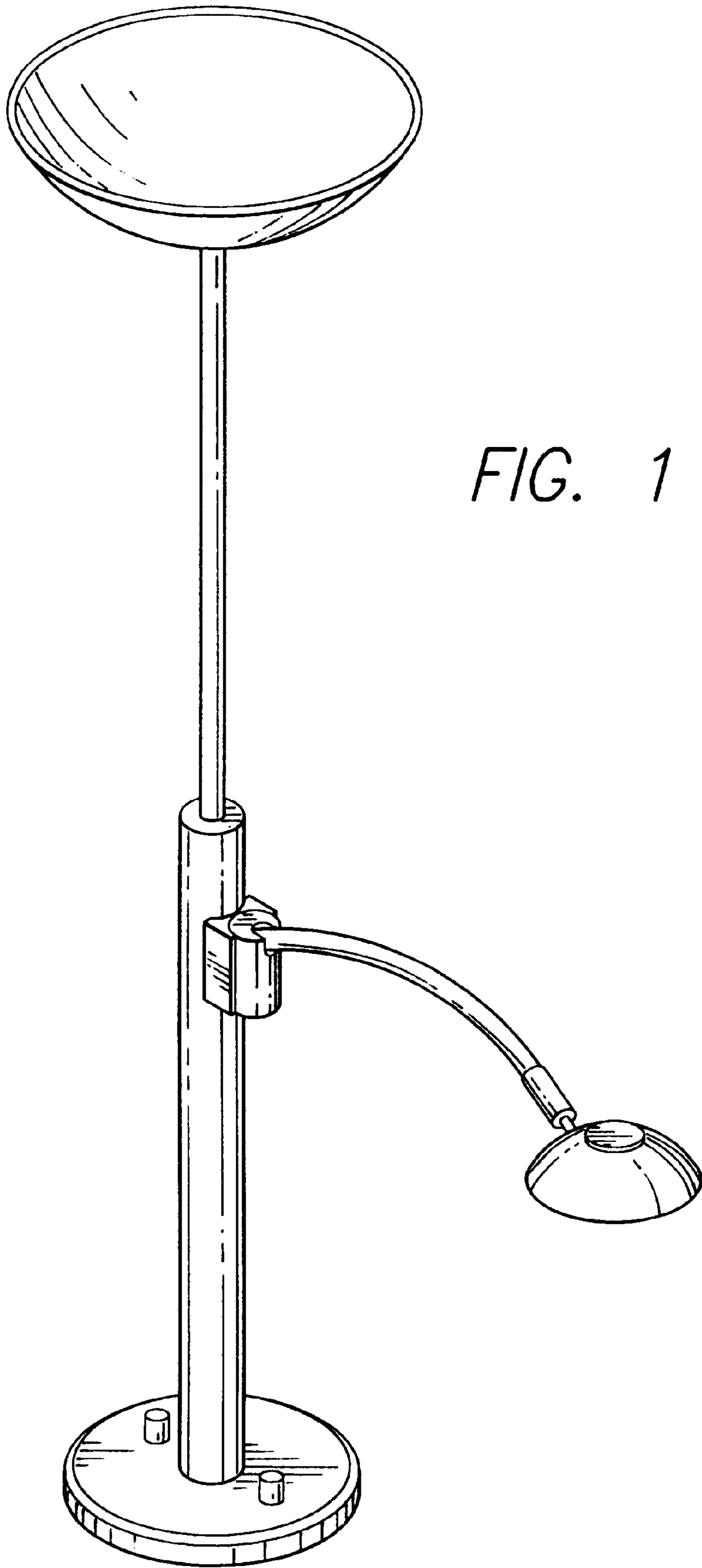


FIG. 1

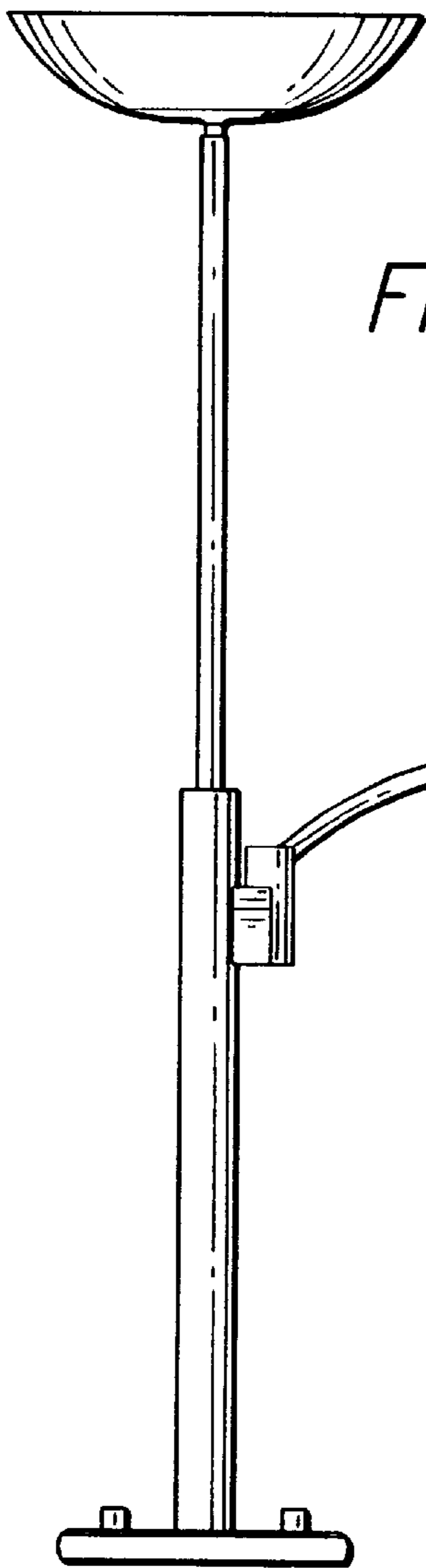


FIG. 2

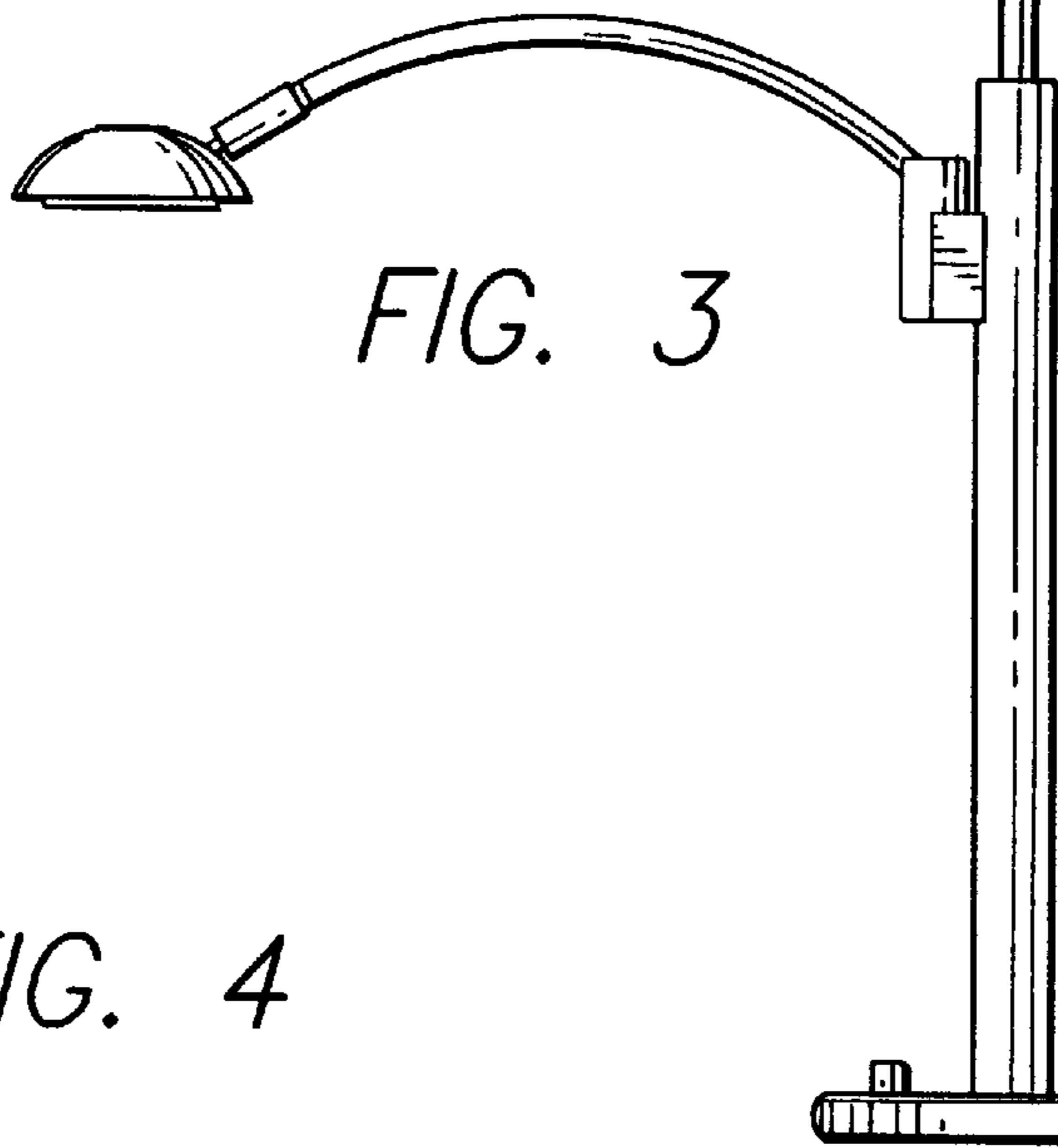


FIG. 3

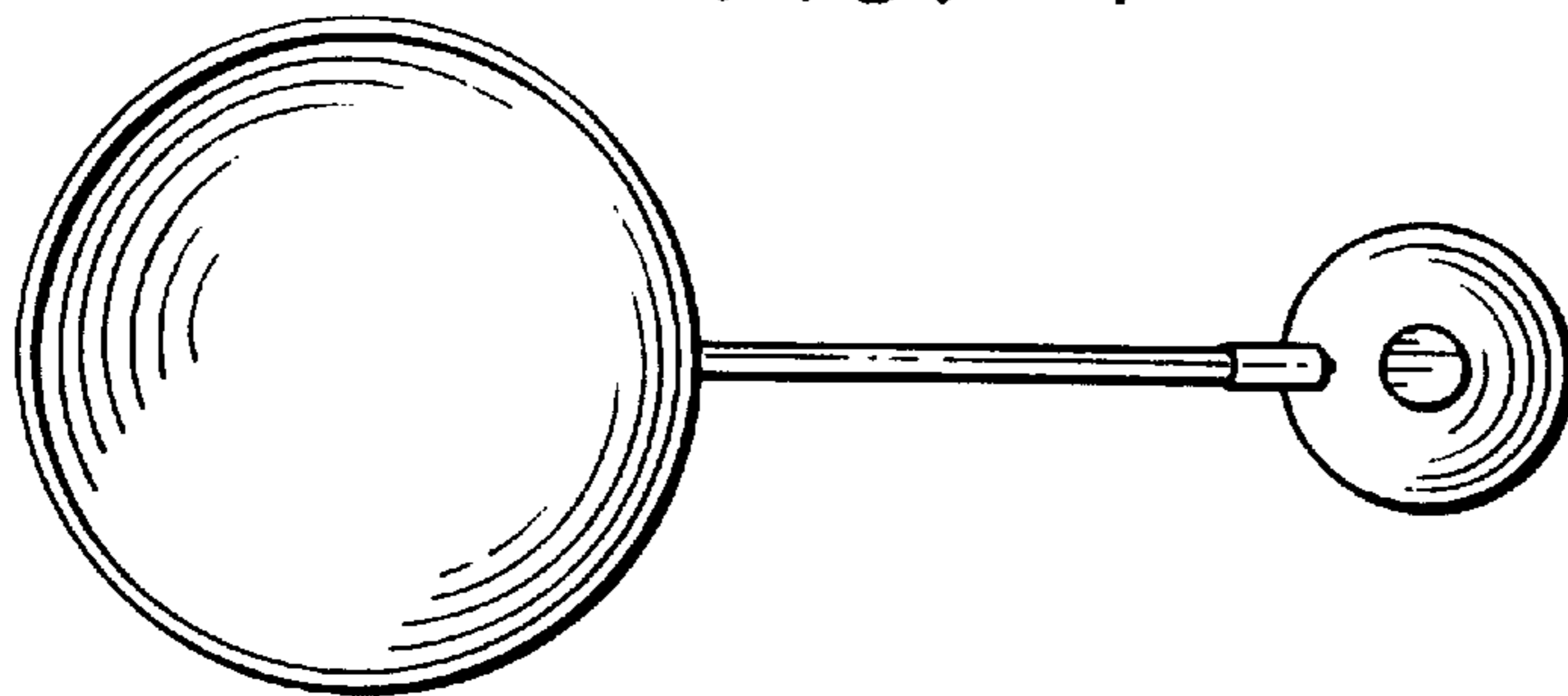


FIG. 4

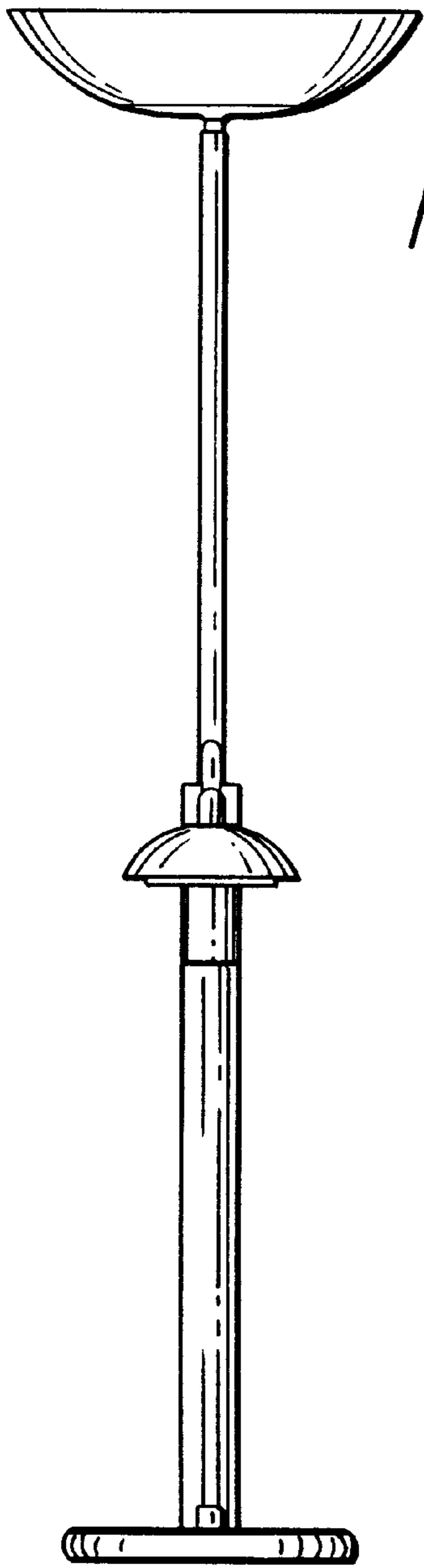


FIG. 5

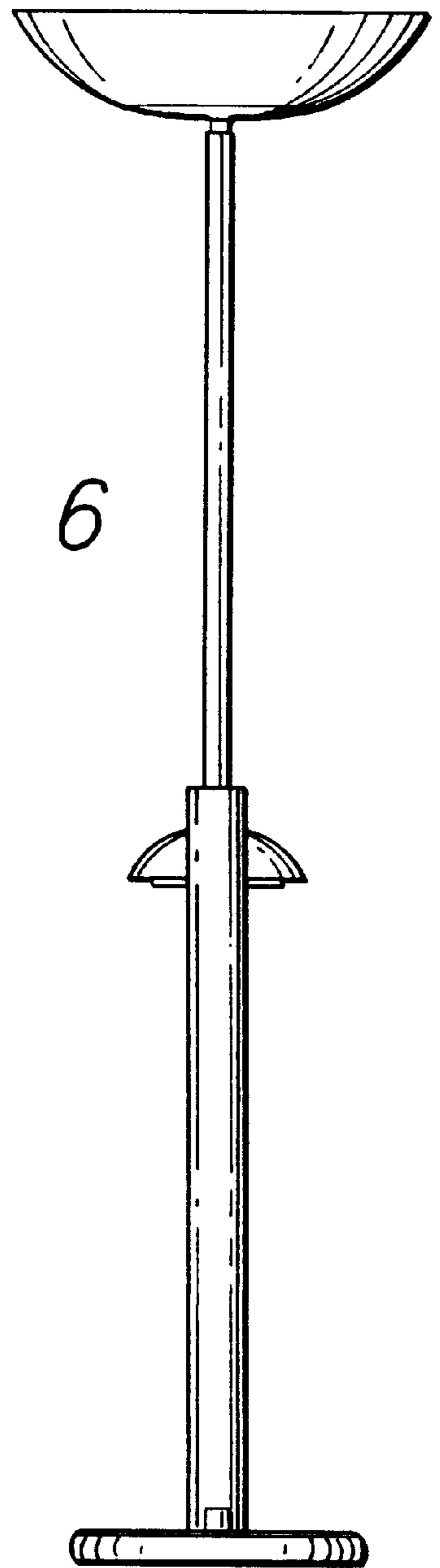


FIG. 6