



US00D429534S

# United States Patent [19]

Sengsouvanh et al.

[11] Patent Number: Des. 429,534

[45] Date of Patent: \*\* Aug. 15, 2000

[54] FLASHLIGHT

[76] Inventors: **Vixiane Sengsouvanh; Robert K. Sengsouvanh; Khamnhot K. Sengsouvanh**, all of 2514 Encina Ave., Modesto, Calif. 95354

[\*\*] Term: 14 Years

[21] Appl. No.: 29/110,744

[22] Filed: Sep. 10, 1999

[51] LOC (7) Cl. .... 26-02

[52] U.S. Cl. .... D26/38

[58] Field of Search ..... D26/37-50; D19/36, D19/51, 56; 362/32, 109, 118

[56] **References Cited**

U.S. PATENT DOCUMENTS

D. 301,513	6/1989	Wright	.....	D10/119
D. 392,999	3/1998	Varholik	.....	D26/38
D. 400,326	10/1998	Fisher	.	
D. 400,921	11/1998	Ting	.....	D26/38
D. 421,141	2/2000	Zo	.....	D26/38
2,180,228	11/1939	Florman	.	
2,737,574	3/1956	Muller	.	
4,281,368	7/1981	Humbert	.	
4,327,401	4/1982	Siiberg	.	

4,864,474	9/1989	Maglica	.
5,008,784	4/1991	Wang	.
5,318,177	6/1994	Isacson	.
5,806,964	9/1998	Maglica	.
5,845,360	12/1998	Lantzy	.

Primary Examiner—Marcus A. Jackson  
Attorney, Agent, or Firm—Richard C. Litman

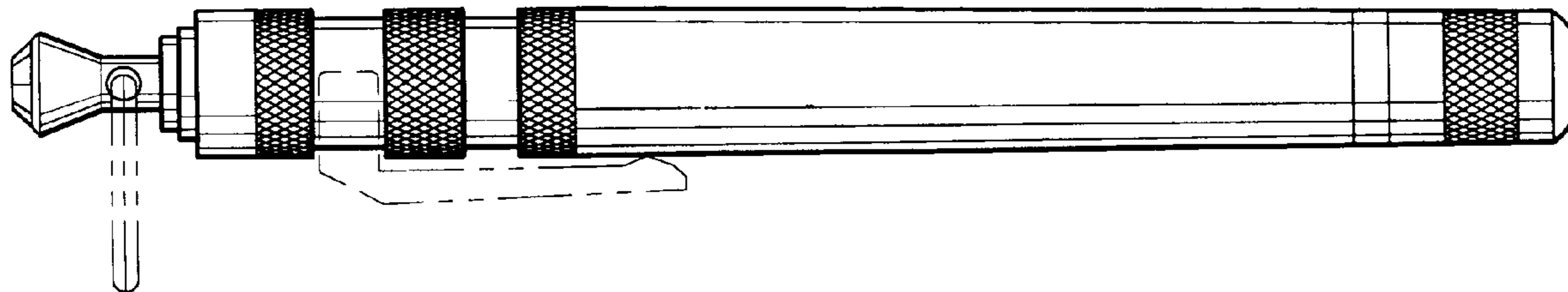
[57] **CLAIM**

The ornamental design for a flashlight, as shown and described.

**DESCRIPTION**

FIG. 1 is an environmental left elevational view of a flashlight showing my new design; FIG. 2 is a right elevational view thereof; FIG. 3 is a top plan view thereof; FIG. 4 is a bottom plan view thereof; FIG. 5 is a front elevational view, shown on an enlarged scale to show detail, thereof; and, FIG. 6 is a rear elevational view, shown on an enlarged scale to show detail, thereof. The broken line showing of the clip and key ring in FIGS. 1-6 is for illustrative purposes, showing the types of clips and keyrings that can be used, and forms no part of the claimed design.

1 Claim, 2 Drawing Sheets



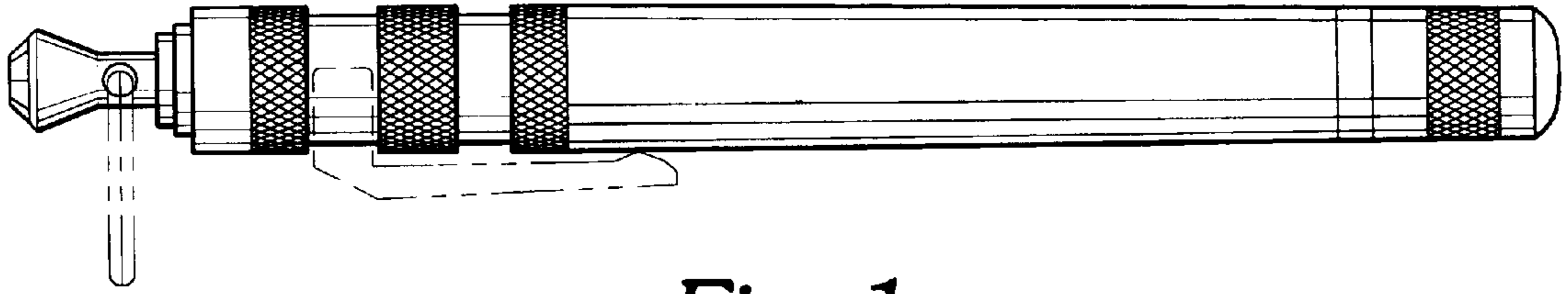


Fig. 1

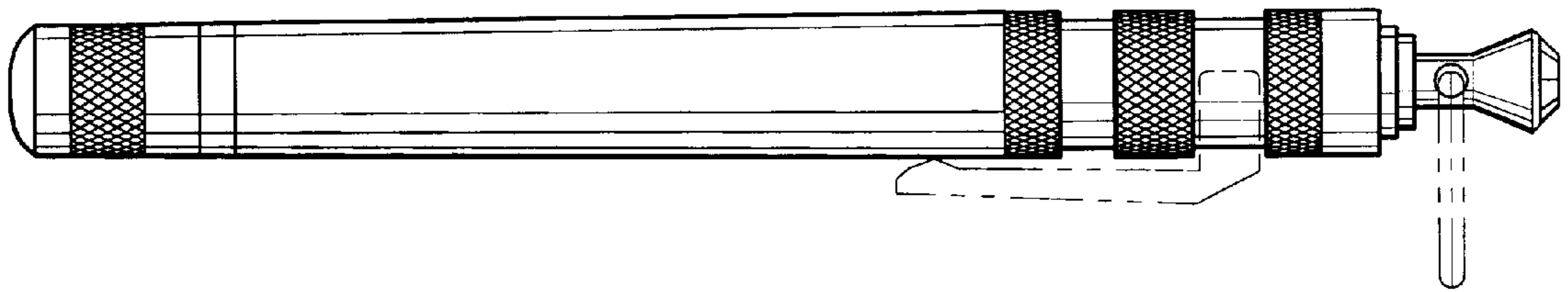


Fig. 2

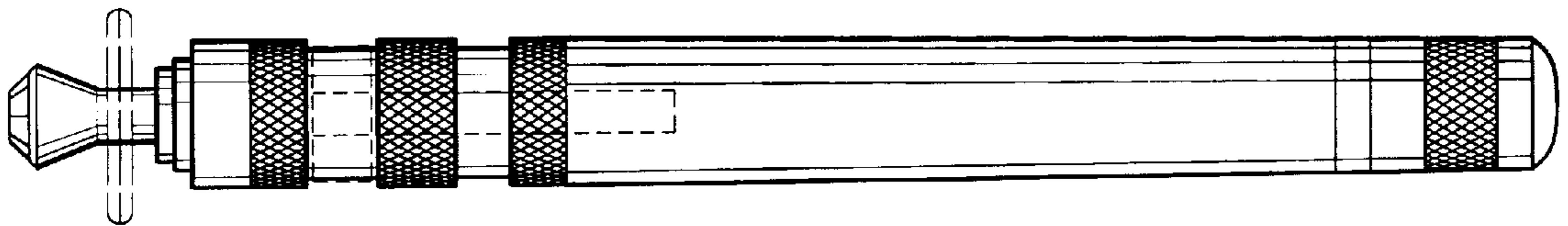


Fig. 3

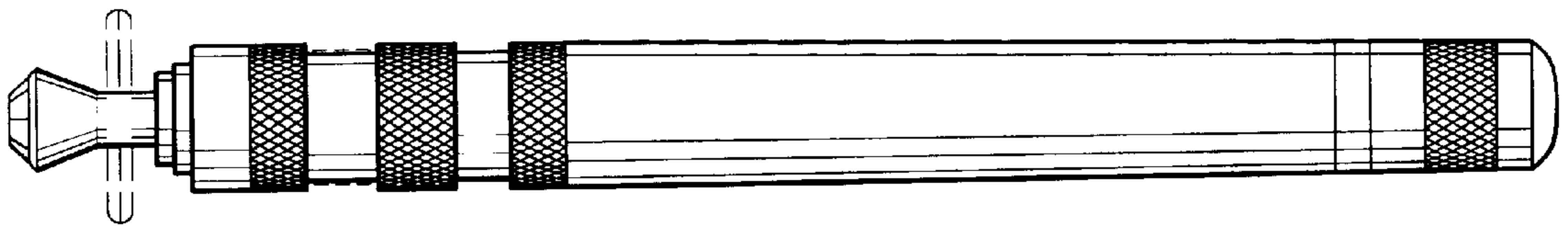


Fig. 4

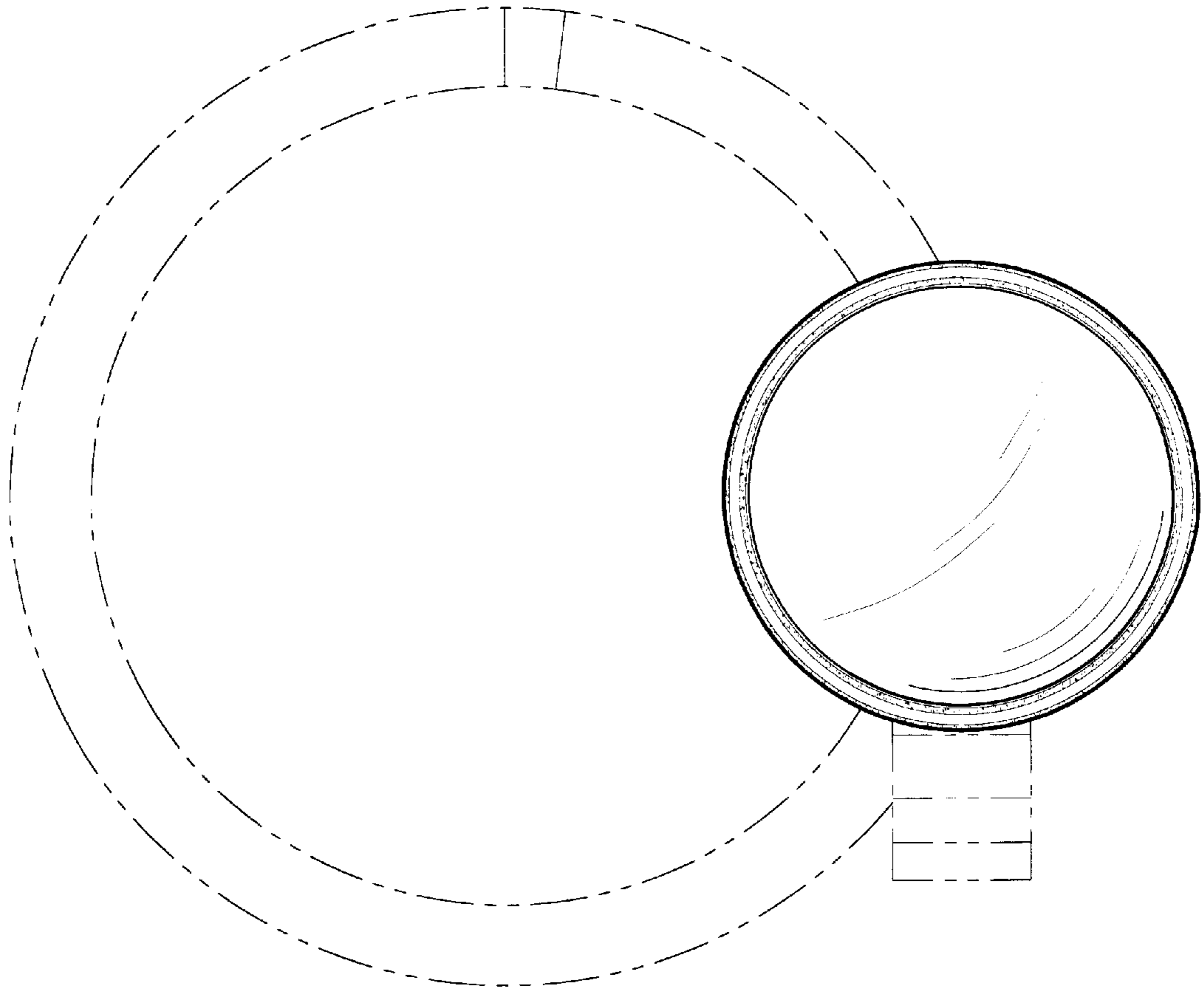


Fig. 5

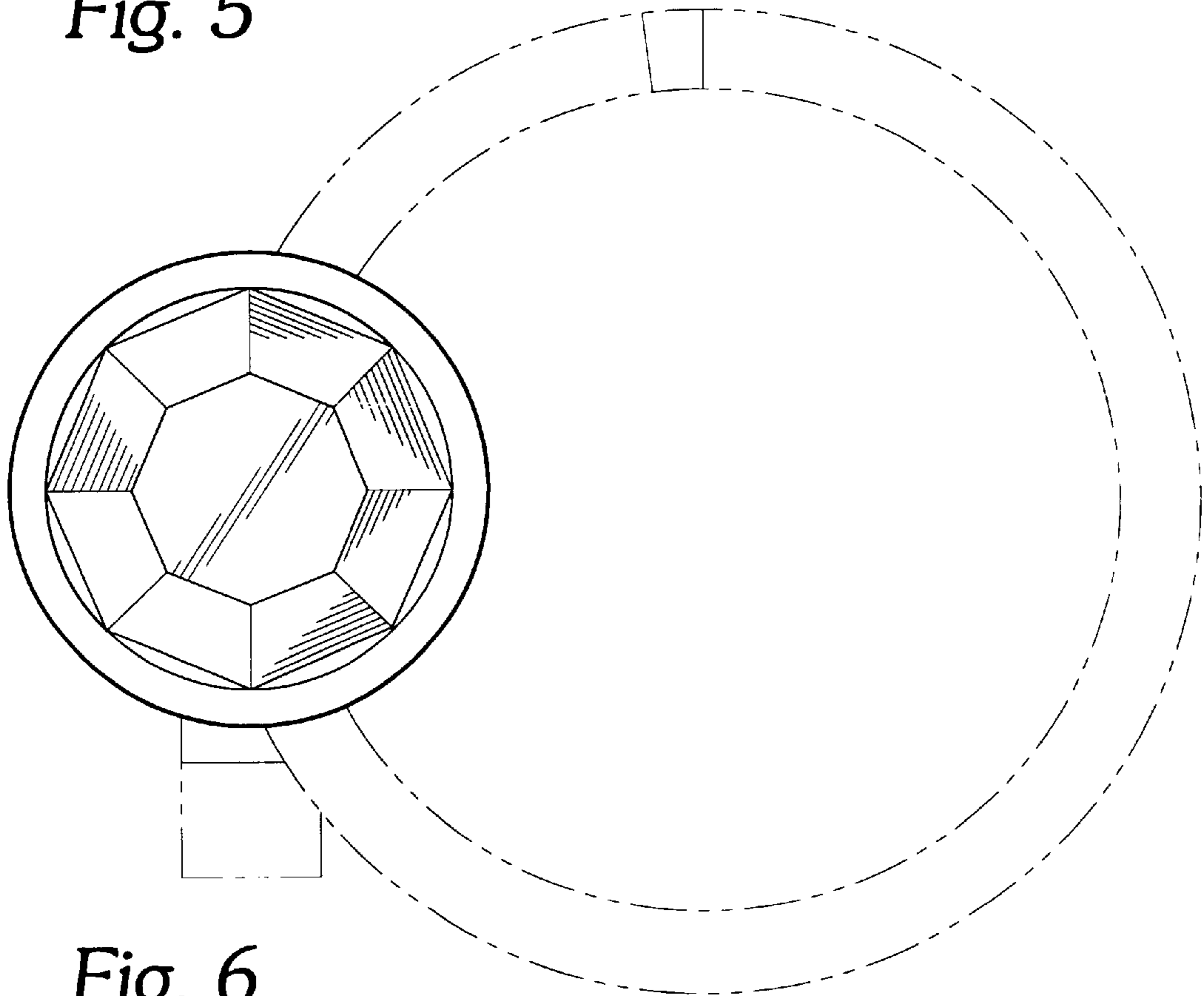


Fig. 6