



US00D429530S

United States Patent [19]
Fleishman

[11] **Patent Number: Des. 429,530**

[45] **Date of Patent: ** Aug. 15, 2000**

[54] **INTERLOCKING PAVING BLOCK**

[76] Inventor: **Andy F. Fleishman**, 4721 Murphy School Rd., Durham, N.C. 27705

[**] Term: **14 Years**

[21] Appl. No.: **29/107,847**

[22] Filed: **Jul. 14, 1999**

[51] **LOC (7) Cl.** **25-01**

[52] **U.S. Cl.** **D25/113**

[58] **Field of Search** D25/102, 113-118, D25/164; D21/484-486, 489-491, 499-505; 52/581, 582.1, 588.1, 596, 604-609, 611, 612; 404/34-35, 37-42; 405/284-286

[56] **References Cited**

U.S. PATENT DOCUMENTS

D. 28,670	5/1898	Thomas .	
212,243	2/1879	Luke et al.	52/611
D. 312,881	12/1990	Naether .	
D. 352,559	11/1994	Krueger et al.	D25/113
D. 404,147	1/1999	Woolford	D25/113
708,470	9/1902	Flood	404/42
2,915,893	12/1959	Wilkins	D25/113
3,931,700	1/1976	Scanni et al. .	
3,947,192	3/1976	Rosenberger .	
4,128,357	12/1978	Barth et al. .	
4,474,504	10/1984	Whitman et al.	404/40
4,773,790	9/1988	Hagenah .	
5,054,957	10/1991	Johnson, II .	

5,244,303	9/1993	Hair .	
5,249,884	10/1993	Widmer	404/42
5,267,810	12/1993	Johnson .	
5,466,089	11/1995	Jurik	404/34

OTHER PUBLICATIONS

Appian Circle Pattern—Matrix #B91305 Tudor, Hanover Buyline 6800, Sweets General Contractor Catalog, 1993.

Primary Examiner—Louis S. Zarfaz
Assistant Examiner—Robert A. Delehanty
Attorney, Agent, or Firm—Olive & Olive, P.A.

[57] **CLAIM**

The ornamental design for an interlocking paving block, as shown and described.

DESCRIPTION

FIG. 1 is a top perspective view of the interlocking paving block of the present invention.

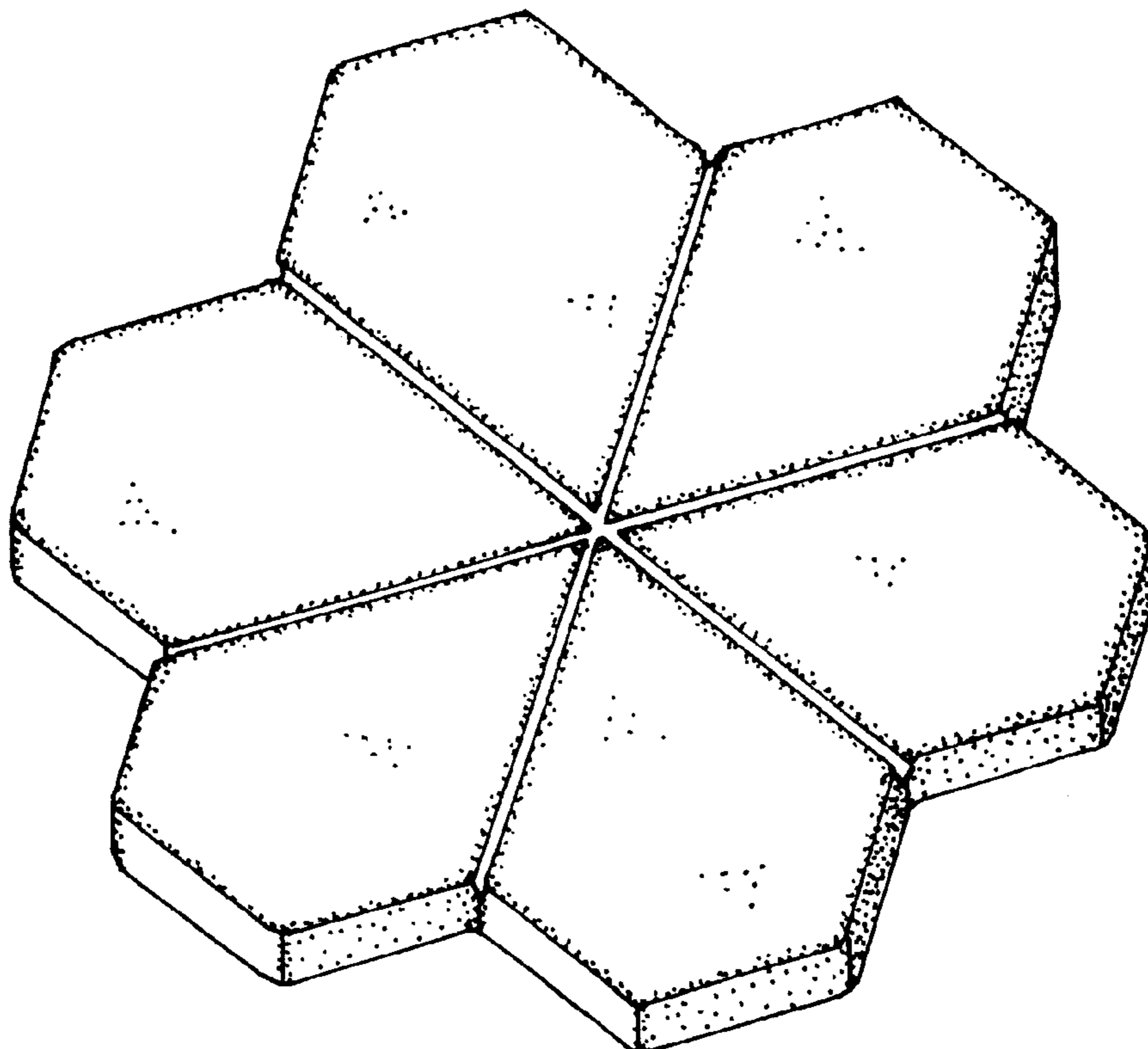
FIG. 2 is a top plan view of the interlocking paving block of FIG. 1.

FIG. 3 is a bottom plan view of the interlocking paving block of FIG. 2.

FIG. 4 is a front and elevation view of the interlocking paving block of FIG. 2 taken in the direction of line 4—4, the opposite end being a mirror image thereof; and,

FIG. 5 is a right side end elevation view of the interlocking paving block of FIG. 2 taken in the direction of line 5—5, the opposite end being a mirror image thereof.

1 Claim, 2 Drawing Sheets



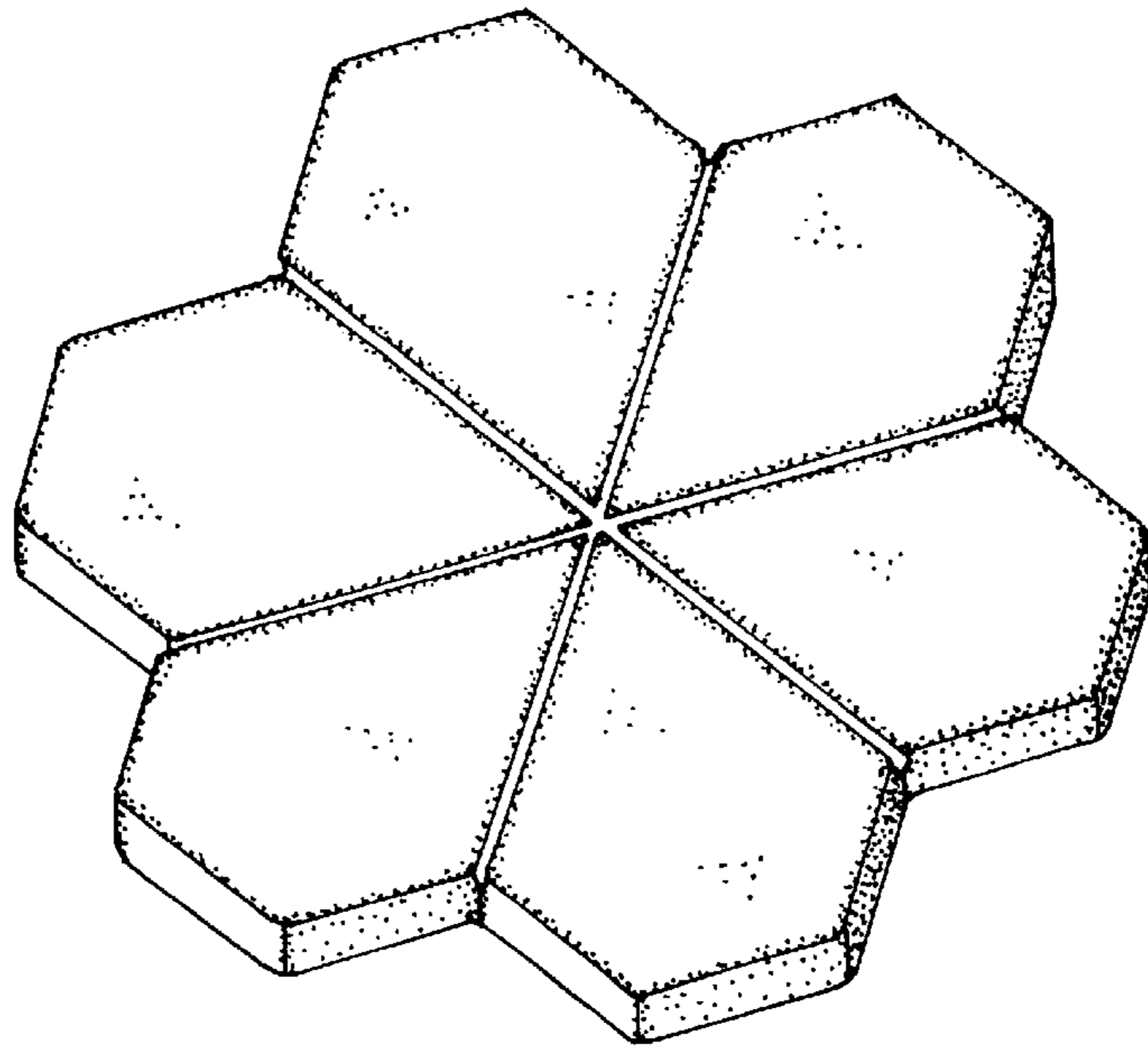


FIG. 1

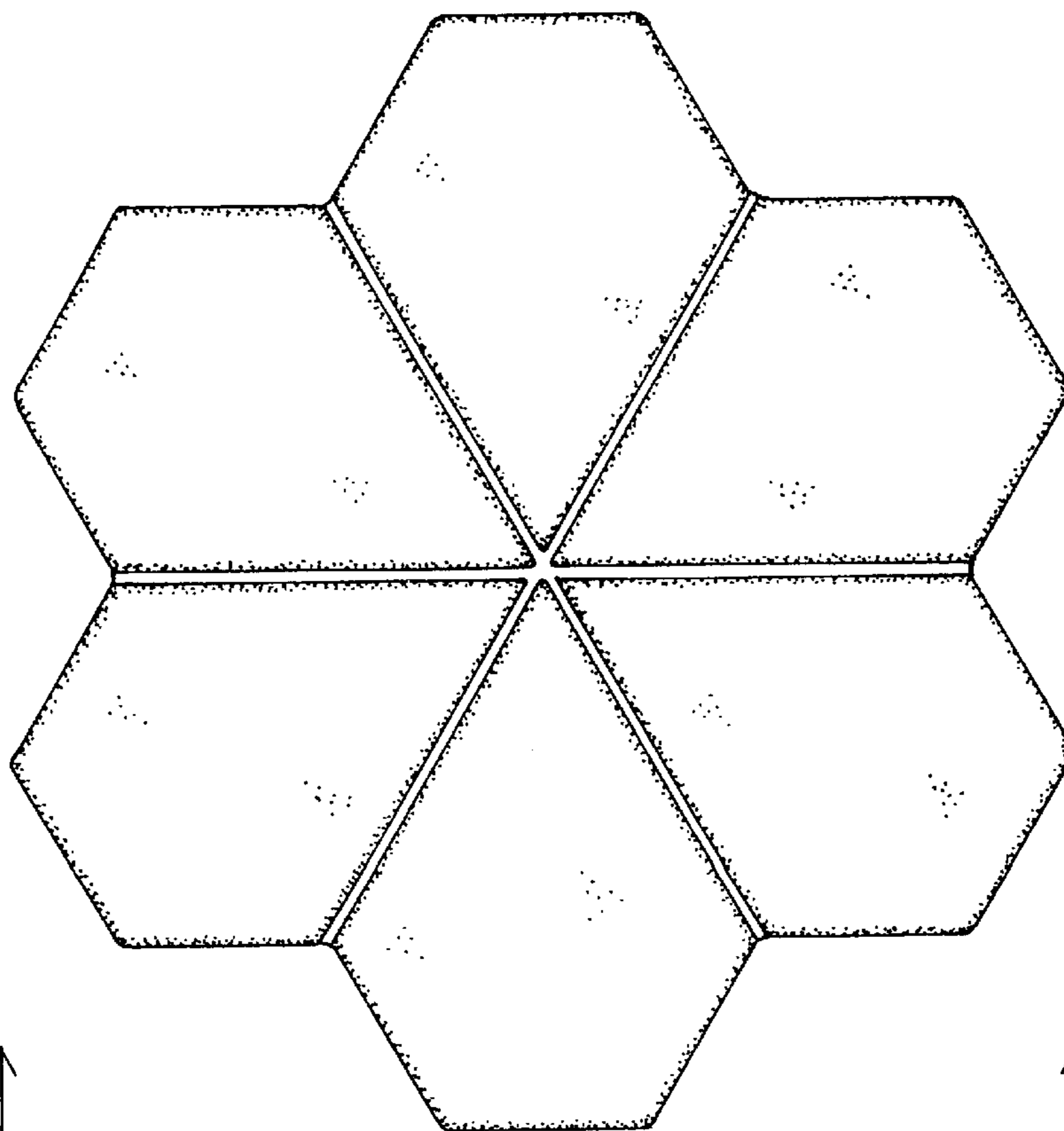


FIG. 2

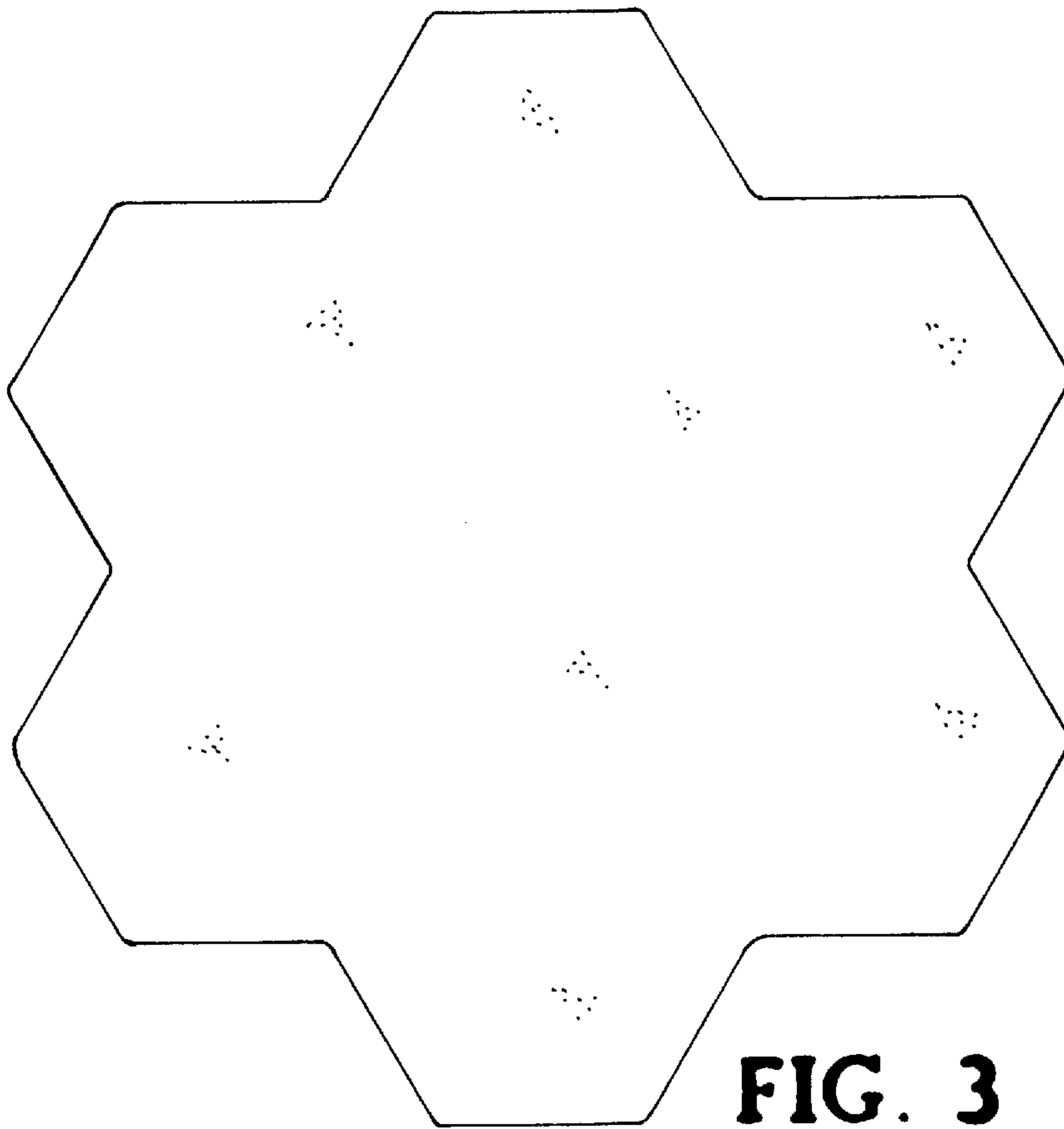


FIG. 4



FIG. 5

UNITED STATES PATENT AND TRADEMARK OFFICE
CERTIFICATE OF CORRECTION

PATENT NO. : Des. 429,530
DATED : August 15, 2000
INVENTOR(S) : Andy F. Fleishman

Page 1 of 1

It is certified that error appears in the above-identified patent and that said Letters Patent is hereby corrected as shown below:

In the DESCRIPTION:

Line 7, correct "front and elevation" to read --front end elevation--.
Line 9, correct "thereof; and" to read --thereof.--

Signed and Sealed this

Tenth Day of July, 2001

Nicholas P. Godici

Attest:

Attesting Officer

NICHOLAS P. GODICI

Acting Director of the United States Patent and Trademark Office