



US00D429529S

United States Patent [19]
Kimura et al.

[11] **Patent Number: Des. 429,529**
[45] **Date of Patent: ** Aug. 15, 2000**

[54] **SELF-SERVICE FACILITY**

[75] Inventors: **Motoyasu Kimura; Masakazu Okuda; Tomoei Kimura**, all of Tokyo, Japan

[73] Assignee: **Kimura Corporation**, Tokyo, Japan

[**] Term: **14 Years**

[21] Appl. No.: **29/106,957**

[22] Filed: **Jun. 24, 1999**

[30] **Foreign Application Priority Data**

Dec. 24, 1998 [JP] Japan 10-37446

[51] **LOC (7) Cl.** **25-03**

[52] **U.S. Cl.** **D25/31**

[58] **Field of Search** D25/1, 16, 31, D25/33; 52/32, 36.1, 36.2, 79.1, 79.4

[56] **References Cited**

U.S. PATENT DOCUMENTS

- D. 265,685 8/1982 Decaux D25/31
- D. 300,662 4/1989 Bass D25/31
- 5,653,063 8/1997 Bennett et al. D25/31

Primary Examiner—Doris Clark
Attorney, Agent, or Firm—Knobbe, Martens, Olson & Bear, LLP

[57] **CLAIM**

The ornamental design for a self-service facility, as shown and described.

DESCRIPTION

FIG. 1 is a front view of a self-service facility with the revolving door open, showing our new design;

FIG. 2 is a front view of the self-service facility with the revolving door closed;

FIG. 3 is a back view of the self-service facility;

FIG. 4 is a top view of the self-service facility;

FIG. 5 is a bottom view of the self-service facility;

FIG. 6 is a side view of the left side of the self-service facility;

FIG. 7 is a side view of the right side of the self-service facility;

FIG. 8 is a cross-sectional view of the self-service facility along the axis shown 8—8 in FIG. 1;

FIG. 9 is a perspective view of the self-service facility with the revolving door closed;

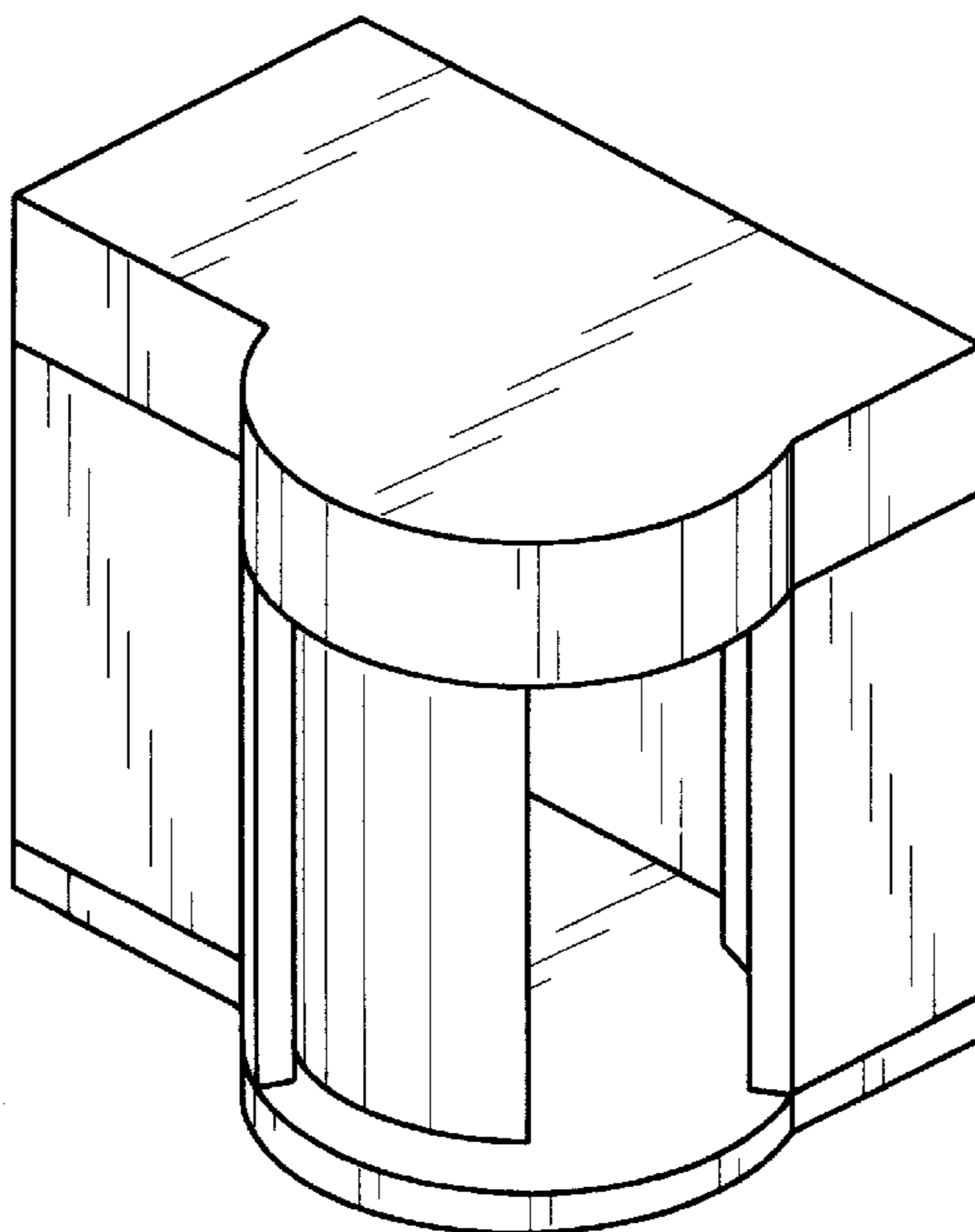
FIG. 10 is a perspective view of the self-service facility with the revolving door partially open; and,

FIG. 11 is a perspective view of the self-service facility with the revolving door open.

The inventors' design is directed toward a self-service facility with a revolving semicircular door. The self-service facility may be free-standing, or it may be attached to a wall of a structure.

The broken lines are for illustrative purposes only and form no part of the claimed design.

1 Claim, 4 Drawing Sheets



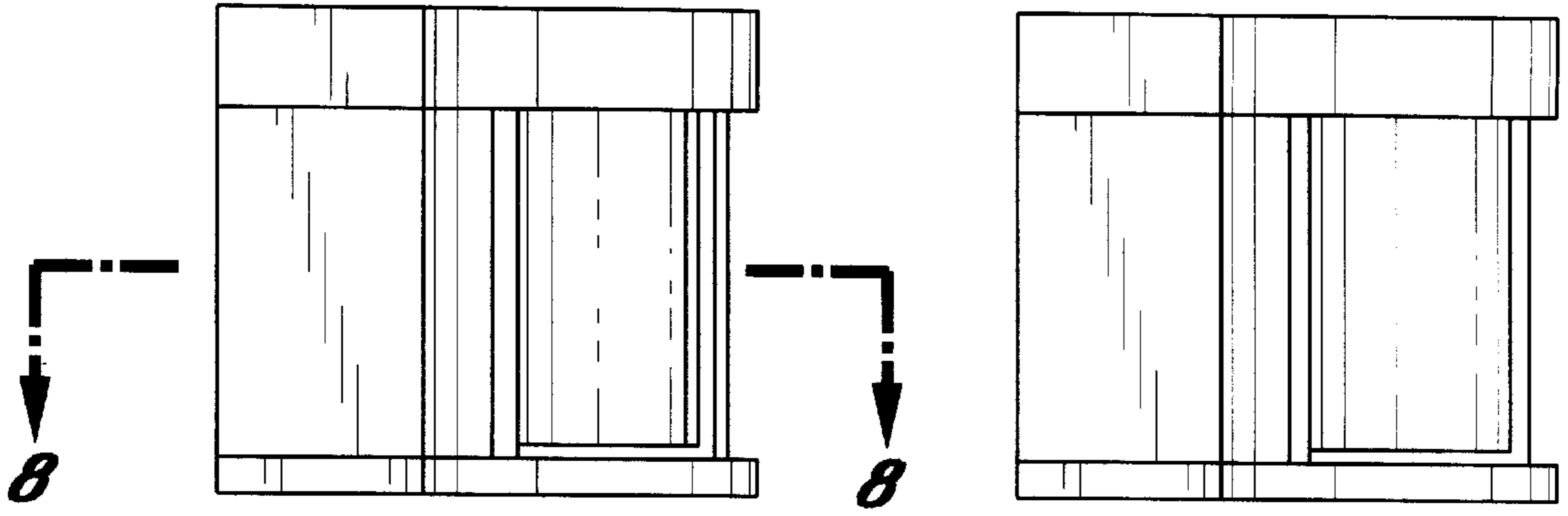


FIG. 1

FIG. 2

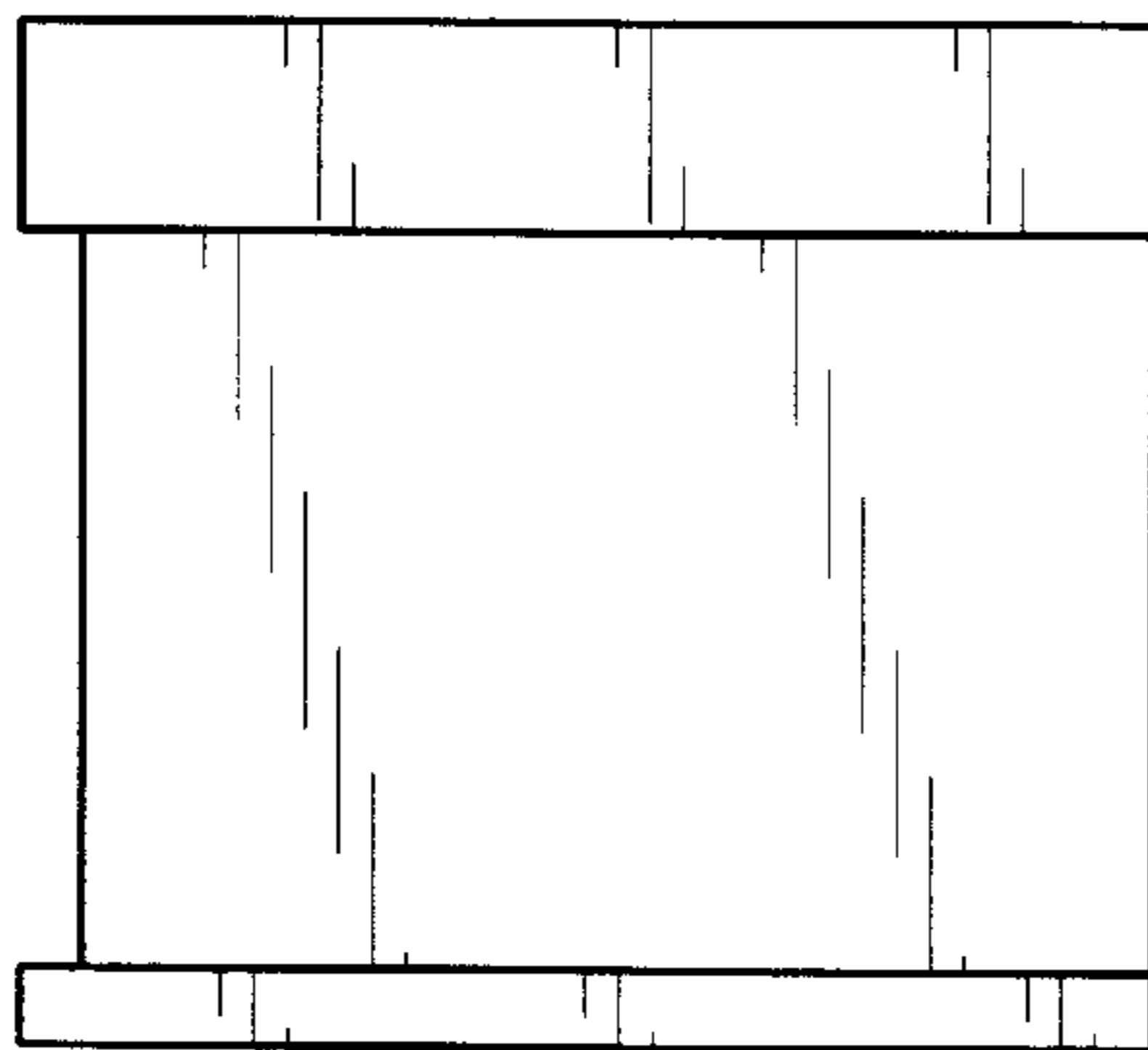


FIG. 3

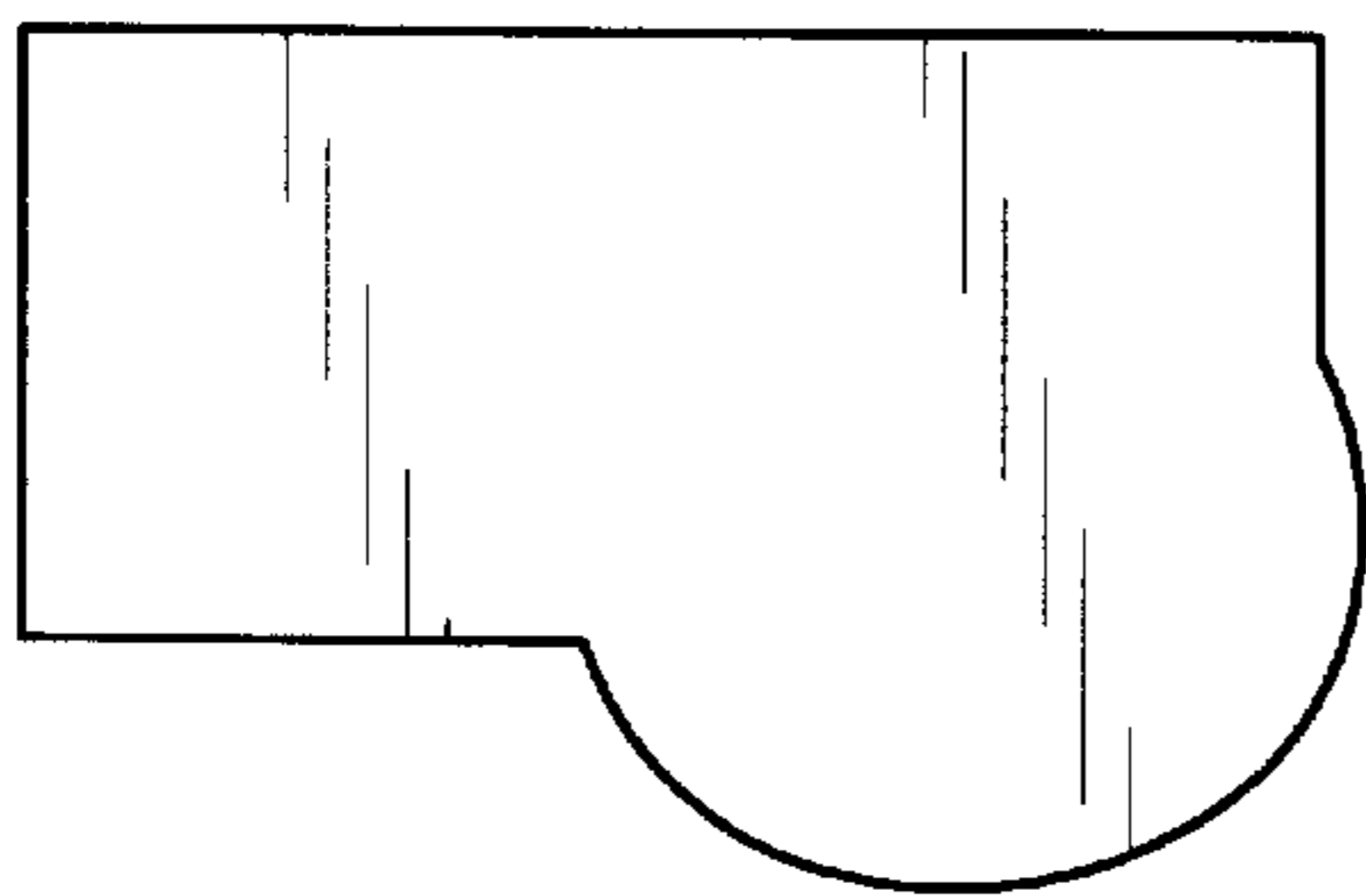


FIG. 4

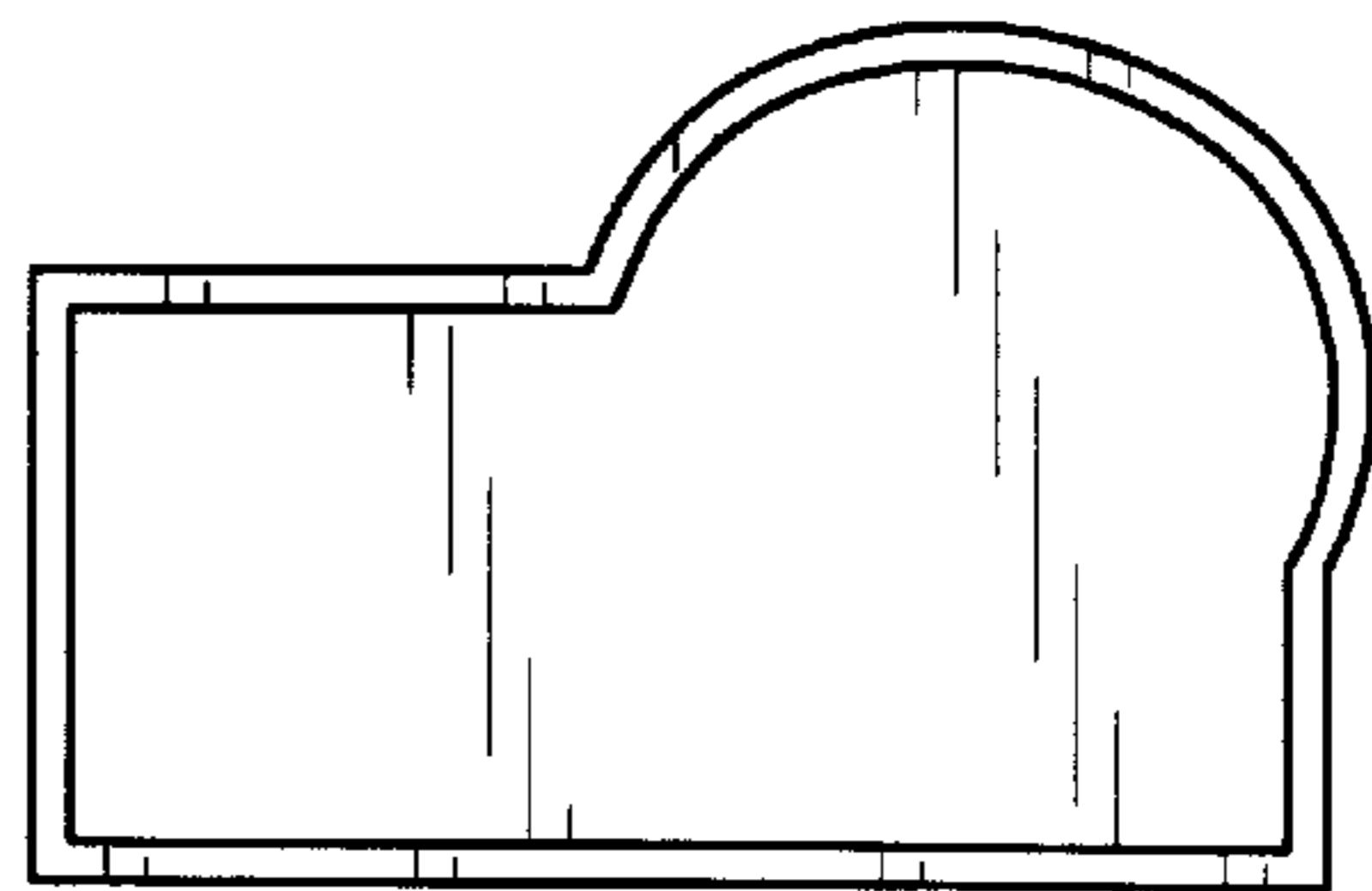


FIG. 5

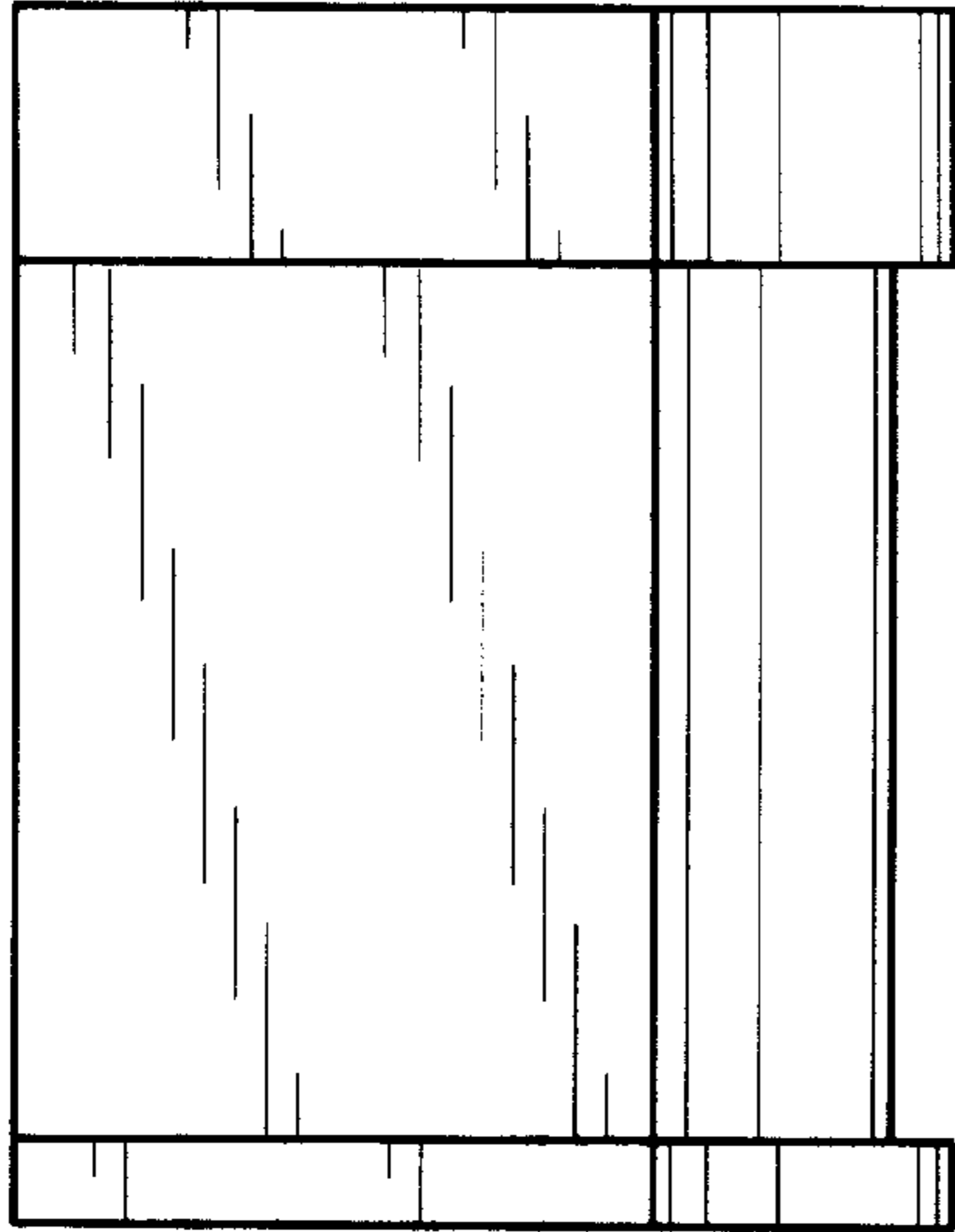


FIG. 6

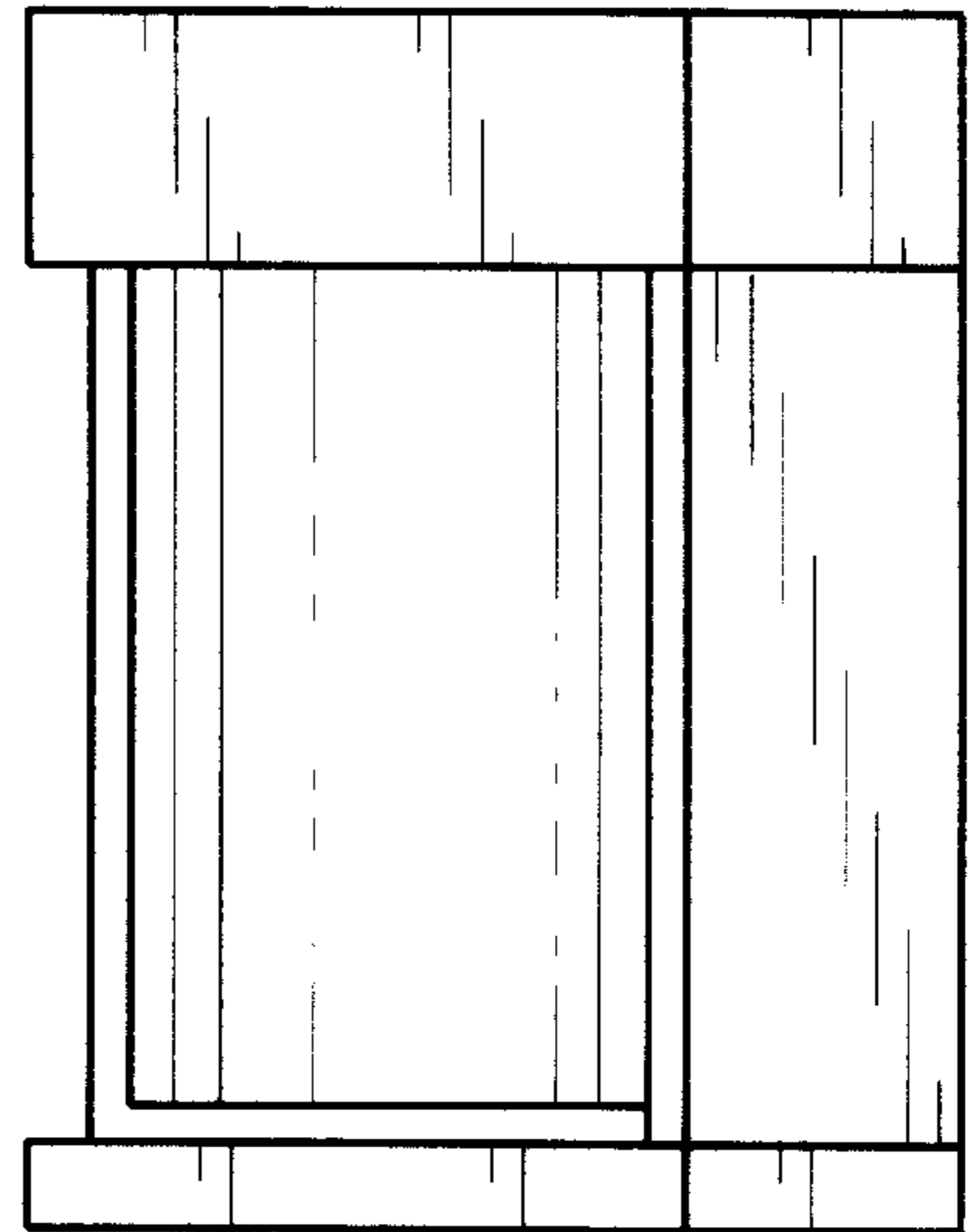


FIG. 7

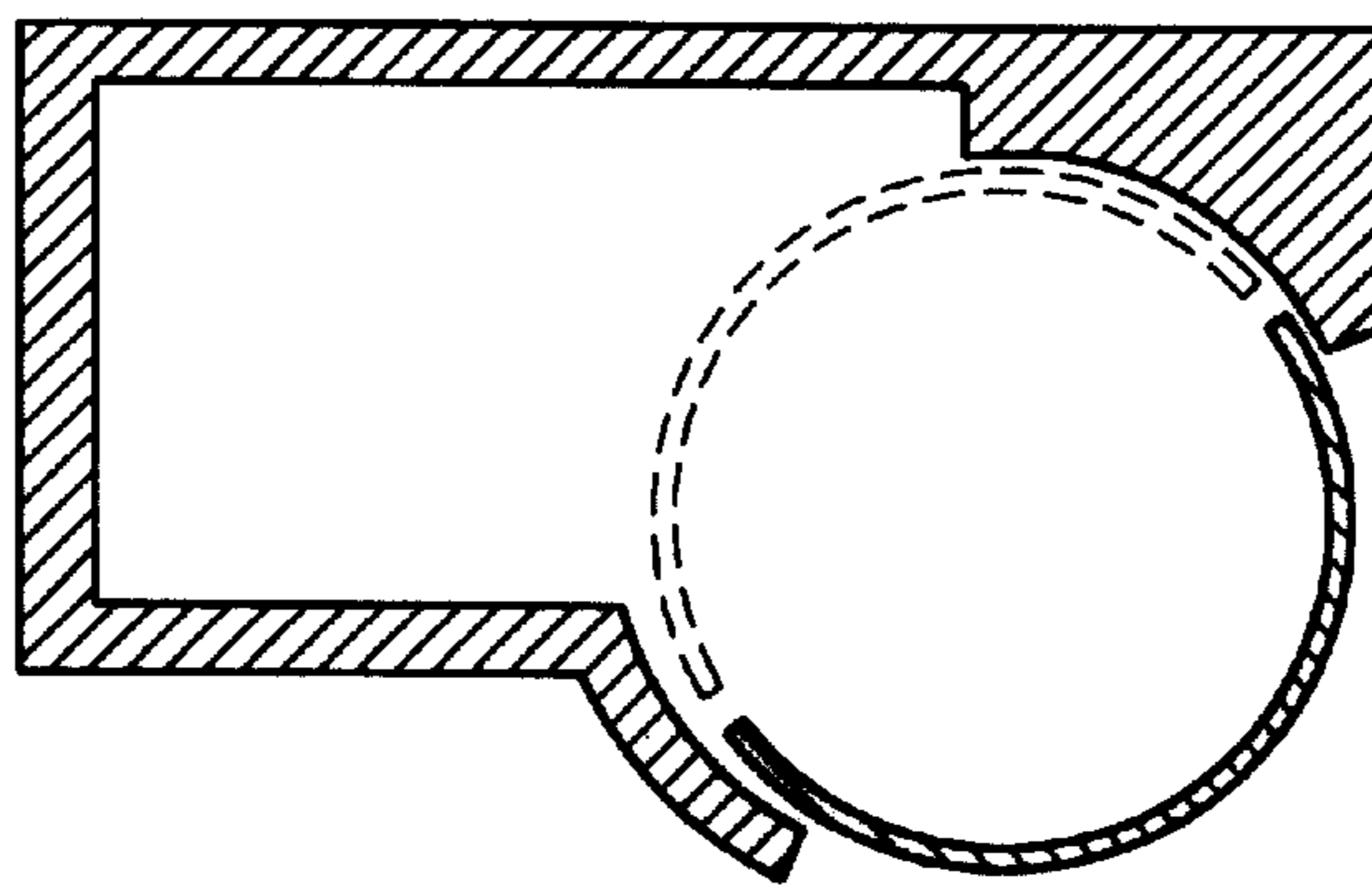


FIG. 8

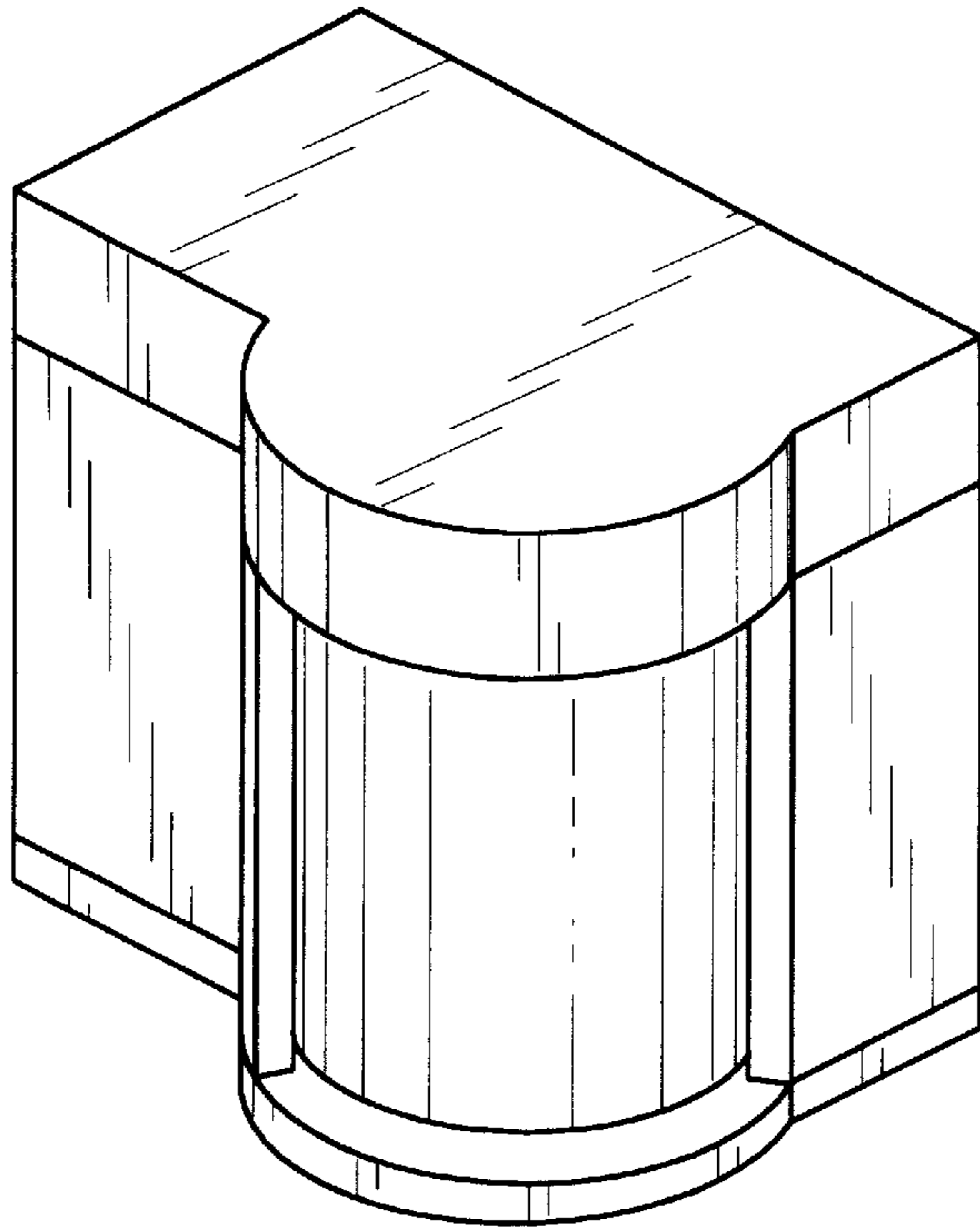


FIG. 9

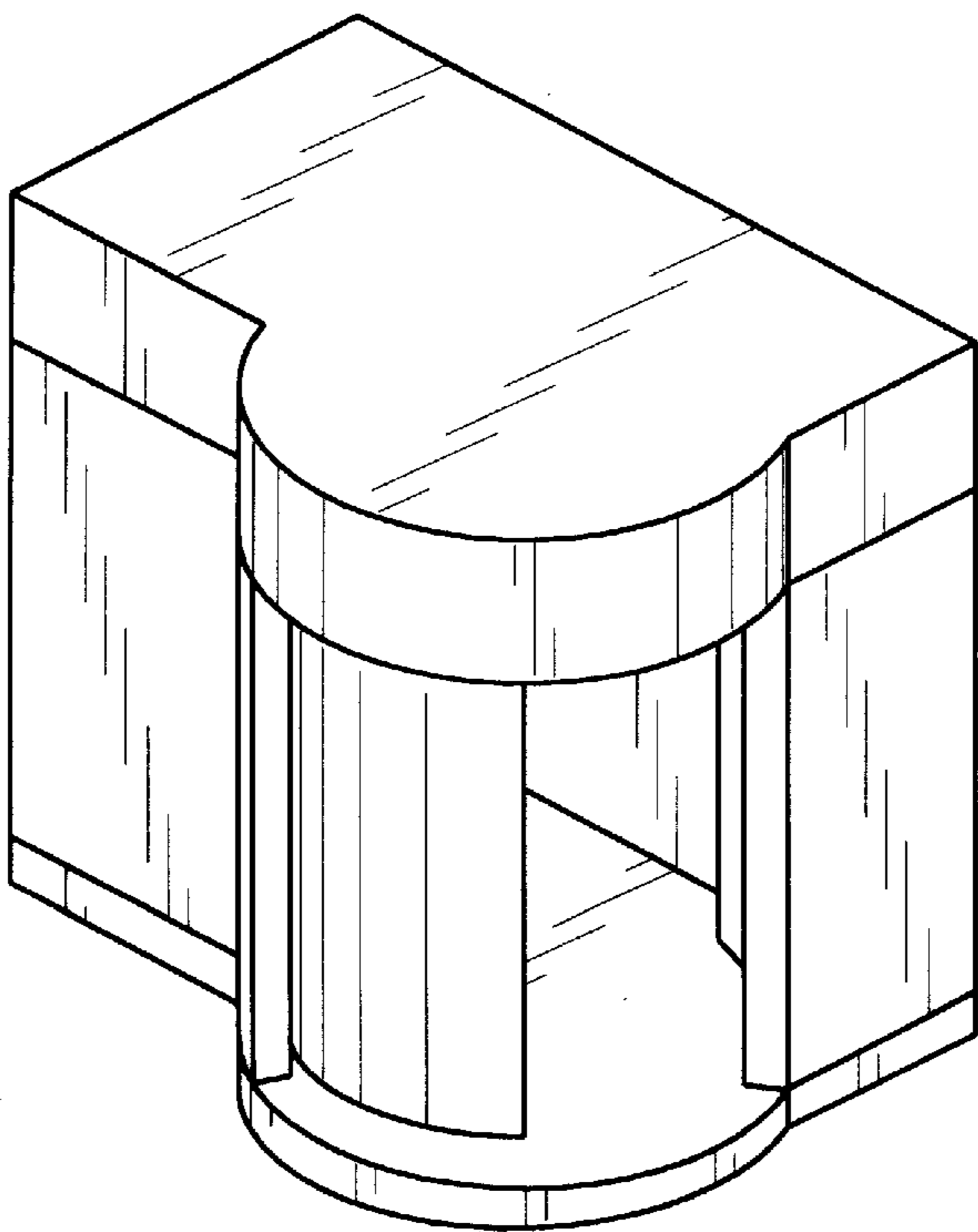


FIG. 10

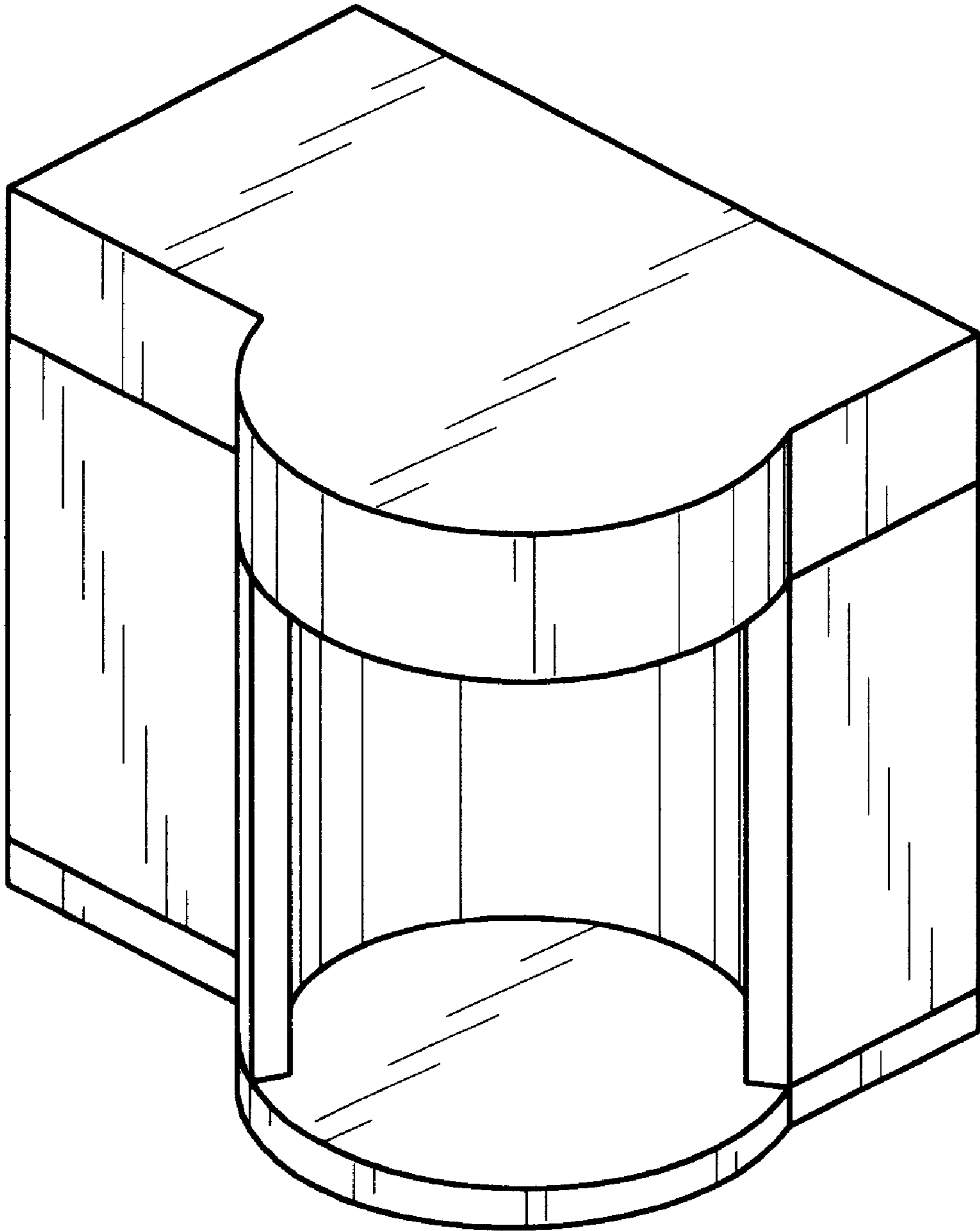


FIG. 11