



US00D429525S

**United States Patent** [19]  
**Richardson**

[11] **Patent Number: Des. 429,525**

[45] **Date of Patent: \*\* Aug. 15, 2000**

[54] **CAPSULE**

[75] **Inventor: Patricia Richardson, Surrey, United Kingdom**

[73] **Assignee: Unilever Home & Personal Care USA, Divison of Conopco, Inc., Greenwich, Conn.**

[\*\*] **Term: 14 Years**

[21] **Appl. No.: 29/106,633**

[22] **Filed: Jun. 18, 1999**

[51] **LOC (7) Cl. .... 28-01**

[52] **U.S. Cl. .... D24/104; D24/101**

[58] **Field of Search .... D24/101, 104; 426/104; 424/472, 451, 453; 222/107, 92; 206/58**

[56] **References Cited**

**U.S. PATENT DOCUMENTS**

D. 269,713 7/1983 Tovey ..... D24/101

D. 269,719 7/1983 Tovey ..... D24/101  
D. 269,720 7/1983 Tovey ..... D24/101  
D. 389,909 1/1998 Williams ..... D24/104

**OTHER PUBLICATIONS**

Potuguese Industrial Model 15453, Apr. 30, 1981.

*Primary Examiner*—Antoine Duval Davis  
*Attorney, Agent, or Firm*—Rimma Mitelman

[57] **CLAIM**

The ornamental design for a capsule, as shown and described.

**DESCRIPTION**

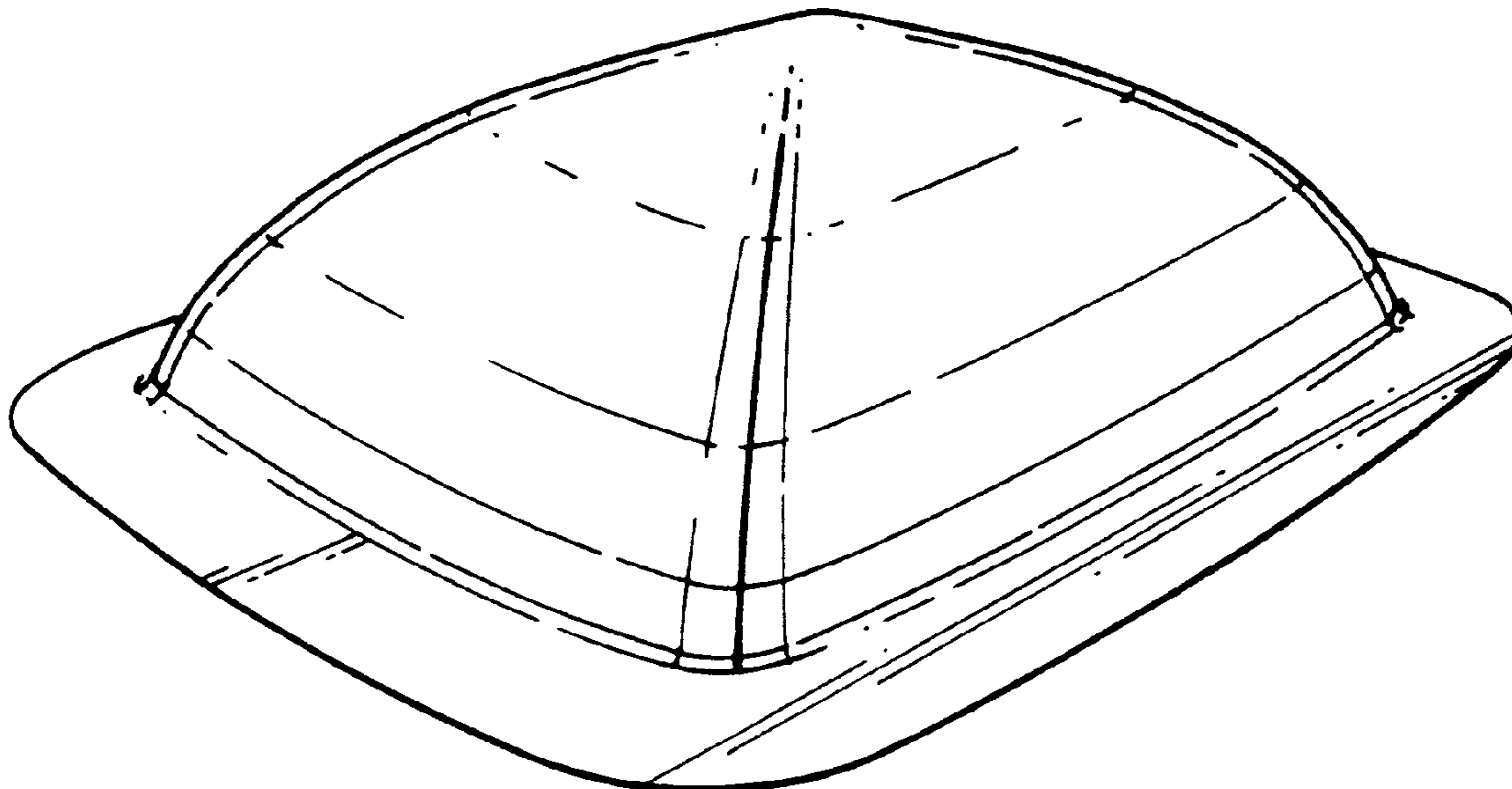
FIG. 1 is a front perspective view of the capsule from above and one side;

FIG. 2 is a front elevational view thereof;

FIG. 3 is a top plan view thereof; and,

FIG. 4 is a side elevational view thereof.

**1 Claim, 1 Drawing Sheet**



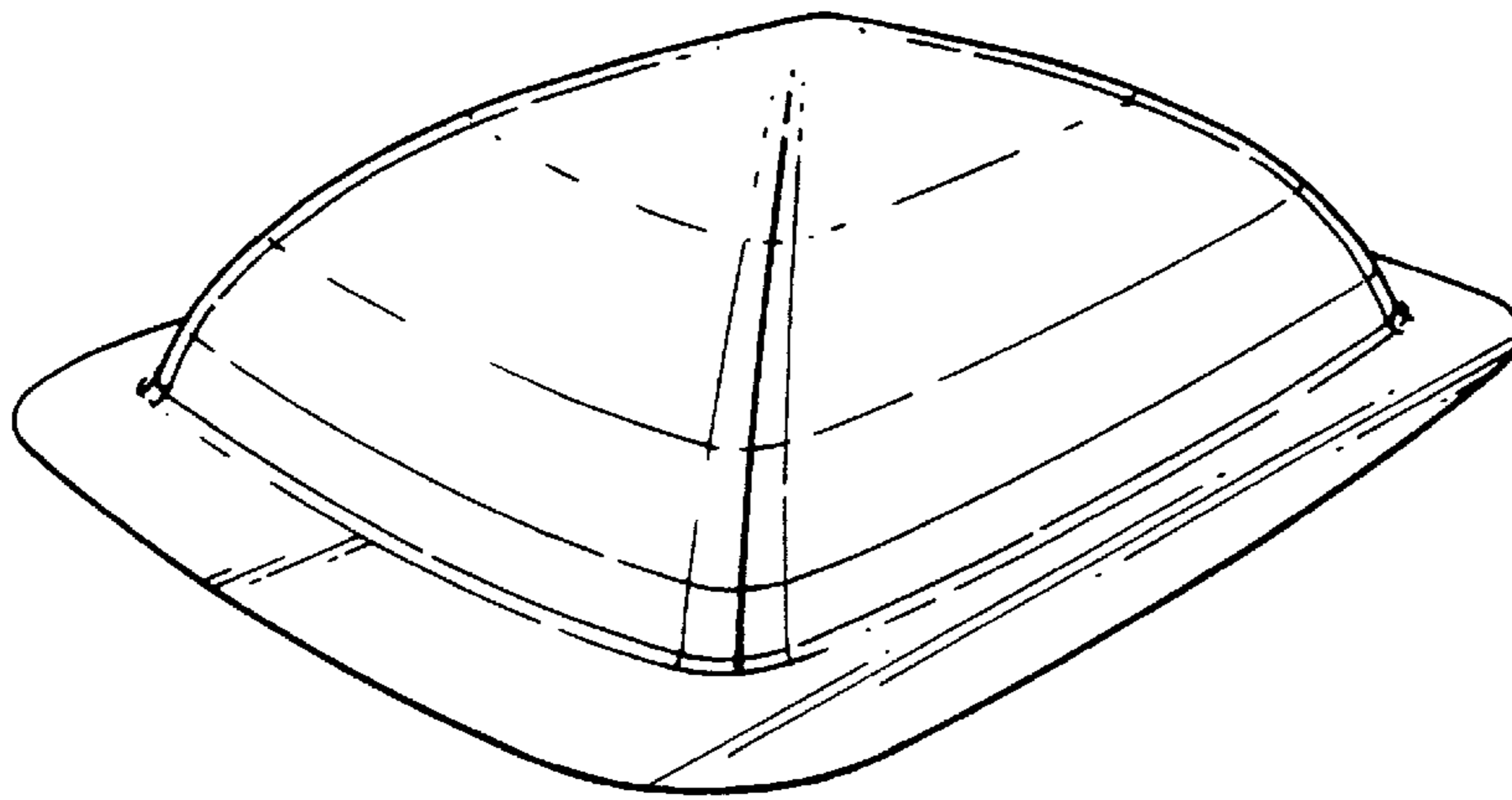


Fig. 1.

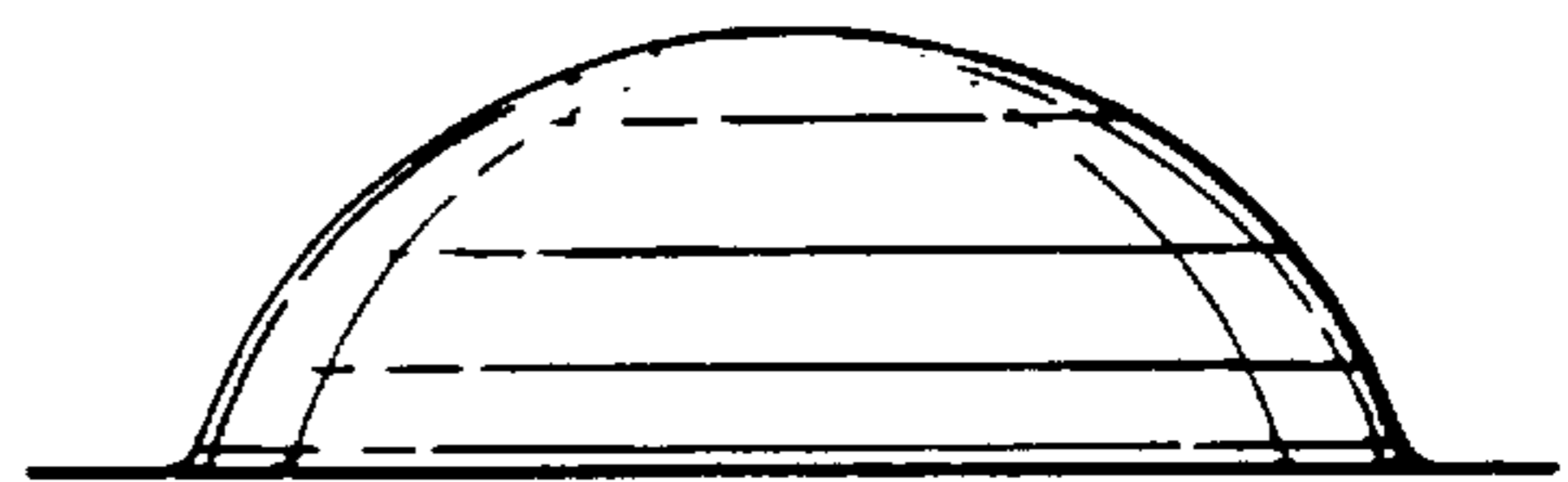


Fig. 2.

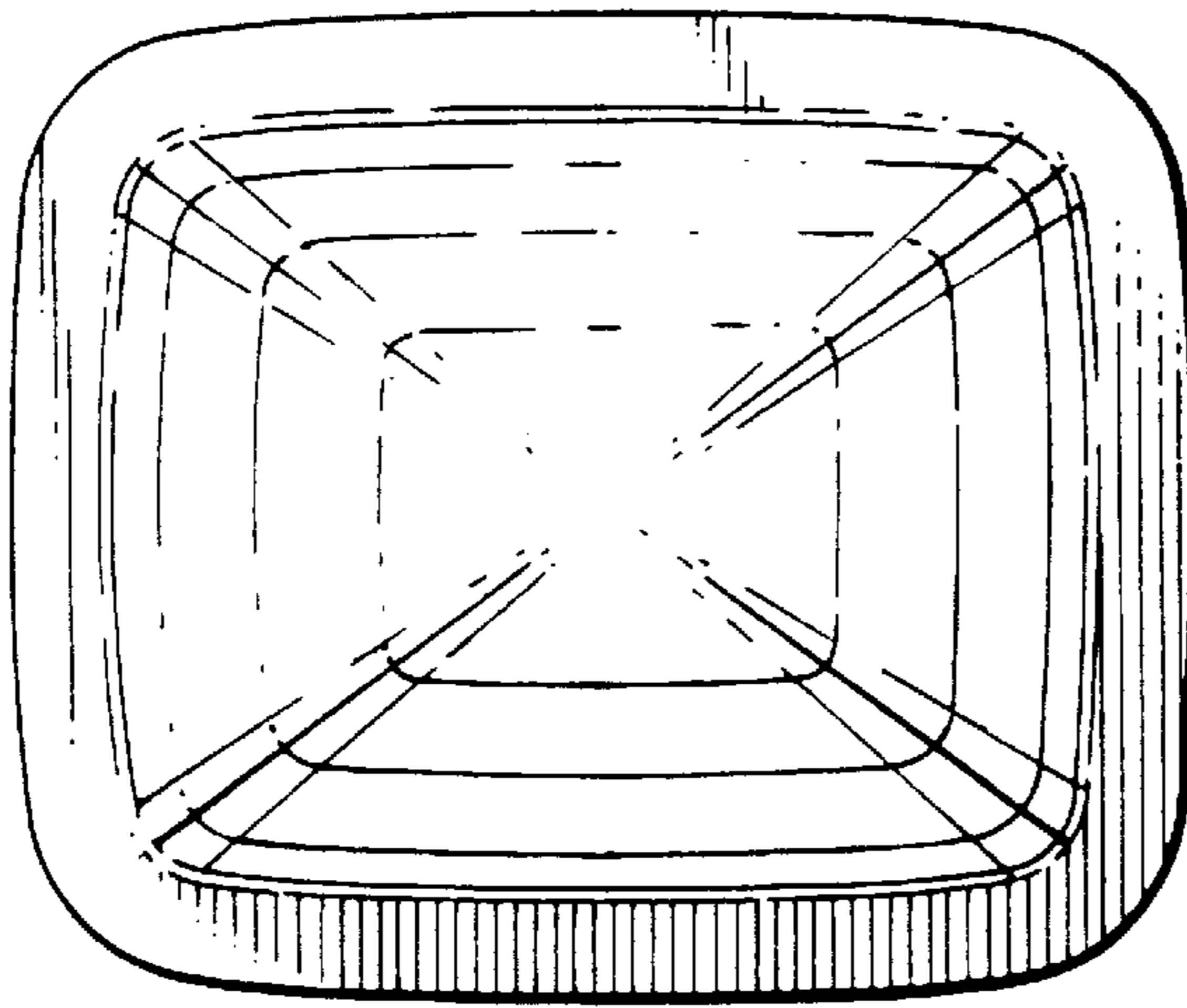


Fig. 3.

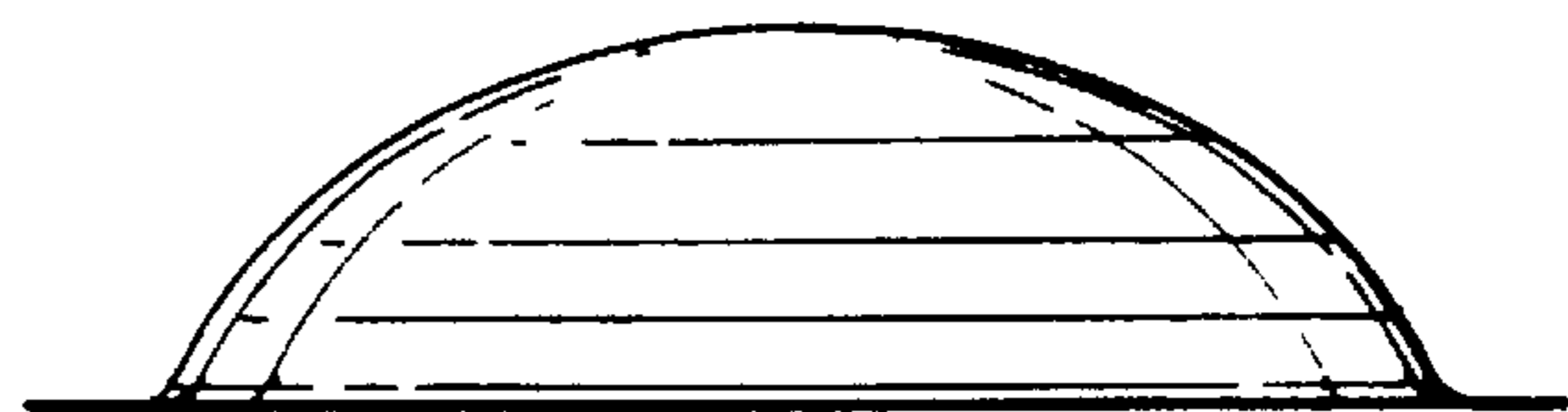


Fig. 4.