



US00D429523S

# United States Patent [19] Spangler

[11] **Patent Number: Des. 429,523**

[45] **Date of Patent: \*\* \*Aug. 15, 2000**

[54] **FAUCET SPOUT**

[75] Inventor: **Anthony G. Spangler**, Greensburg, Ind.

[73] Assignee: **Masco Corporation of Indiana**, Indianapolis, Ind.

[\*] Notice: This patent is subject to a terminal disclaimer.

[\*\*] Term: **14 Years**

[21] Appl. No.: **29/117,372**

[22] Filed: **Jan. 21, 2000**

[51] **LOC (7) Cl.** ..... **23-01**

[52] **U.S. Cl.** ..... **D23/255**

[58] **Field of Search** ..... D23/238-243,  
D23/250-258; 4/675-678; 137/801

## [56] **References Cited**

### U.S. PATENT DOCUMENTS

D. 141,349	5/1945	Stanitz	.....	D23/243
D. 276,259	11/1984	Miller	.....	D23/241
D. 318,906	8/1991	Spangler	.	
D. 320,645	10/1991	Knapp et al.	.	
D. 321,750	11/1991	Spangler	.	
D. 327,944	7/1992	Stairs, Jr. et al.	.....	D23/255
D. 339,853	9/1993	Higgins et al.	.....	D23/255
D. 350,390	9/1994	Bollenbacher	.....	D23/255
D. 352,095	11/1994	Bollenbacher	.....	D23/255
D. 363,536	10/1995	Hill et al.	.	
D. 363,766	10/1995	Hill et al.	.	
D. 364,218	11/1995	Hill et al.	.	
D. 364,219	11/1995	Hill et al.	.	
D. 364,220	11/1995	Hill et al.	.	
D. 366,099	1/1996	Hill et al.	.	
D. 366,517	1/1996	Doughty et al.	.....	D23/242
D. 367,701	3/1996	Hill et al.	.	
D. 367,920	3/1996	Hill et al.	.	
D. 373,815	9/1996	Chaney	.....	D23/241
D. 374,478	10/1996	Doughty et al.	.....	D23/242
D. 384,130	9/1997	Doughty et al.	.....	D23/241

D. 396,268	7/1998	Snyder	.....	D23/255
D. 398,963	9/1998	Donahue et al.	.....	D23/255
D. 409,292	5/1999	Hyde et al.	.....	D23/255

### OTHER PUBLICATIONS

Kohler K-500 Design Manual, p. 76 Revival (item A); Coralais (item F), Dec. 1990.

American Standard Catalog, p. K-8 Cadet Prestiege Two Handle Kitchen Faucet; p. L-2 Amarilis Two Handle Bar Sink Faucet; p. L-10 Cadet Two Handle Laundry Faucet, Dec. 1992.

Sterling Plumbing Group single spec sheet, Twin Handle Washerless Exposed Deck Kitchen Faucet Trademark Collection, Dec. 1993.

Sterling Faucet Catalog, pp. 14 and 15, Motif Kitchen Faucets, Dec. 1994.

*Primary Examiner*—Louis S. Zarfaz

*Assistant Examiner*—G Andoll

*Attorney, Agent, or Firm*—Myron B. Kapustij; Lloyd D. Doigan

## [57] **CLAIM**

The ornamental design for a faucet spout, as shown and described.

### **DESCRIPTION**

FIG. 1 is a front perspective view of the faucet spout showing my new design;

FIG. 2 is a rear perspective view thereof;

FIG. 3 is a left side elevational view thereof, the right side being a mirror image;

FIG. 4 is a top plan view thereof;

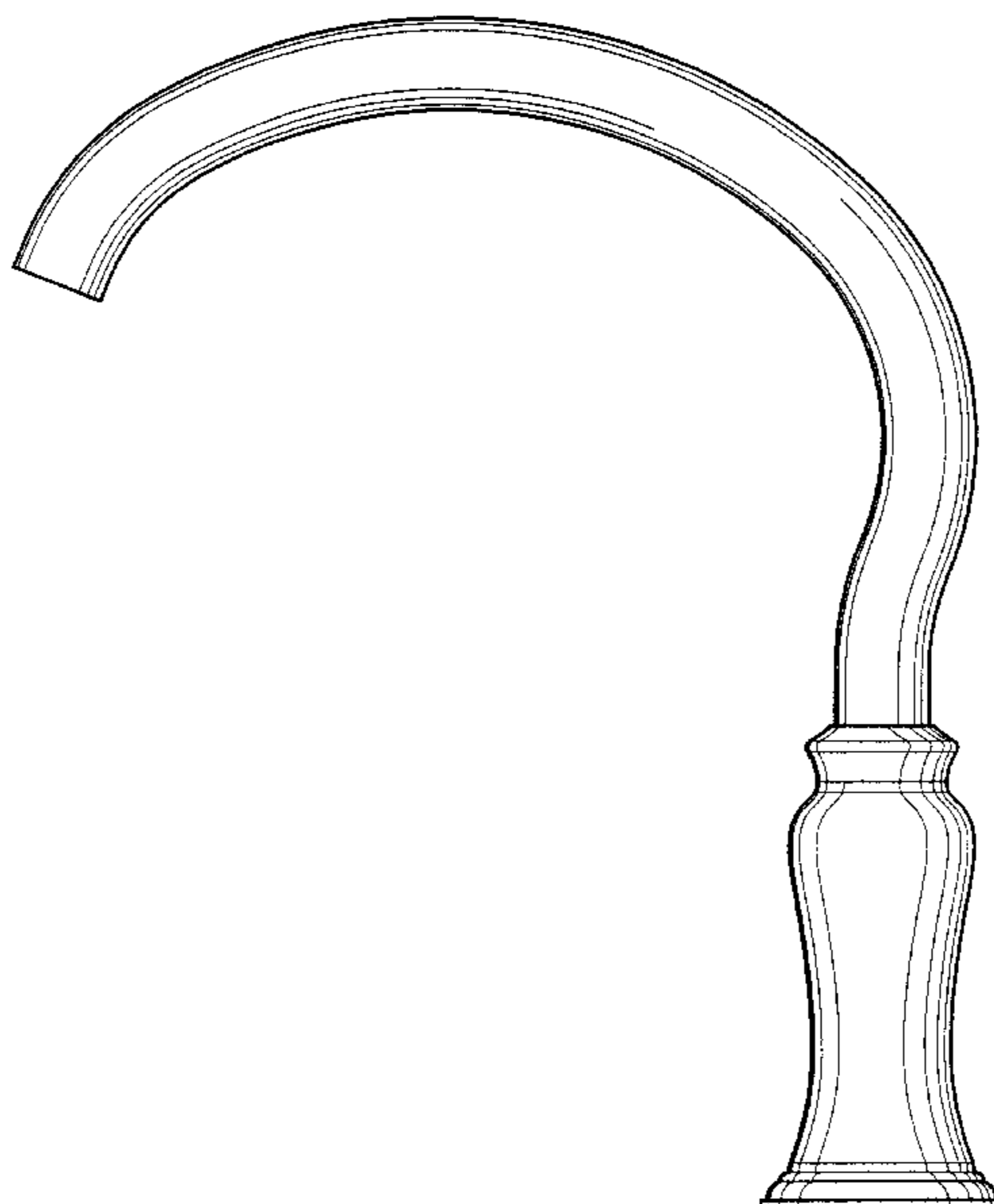
FIG. 5 is a front elevational view thereof;

FIG. 6 is a rear elevational view thereof; and,

FIG. 7 is a bottom plan view thereof.

The broken line showing of the aerator in FIG. 1 is for purposes of illustration only and forms no part of the claimed design.

**1 Claim, 3 Drawing Sheets**



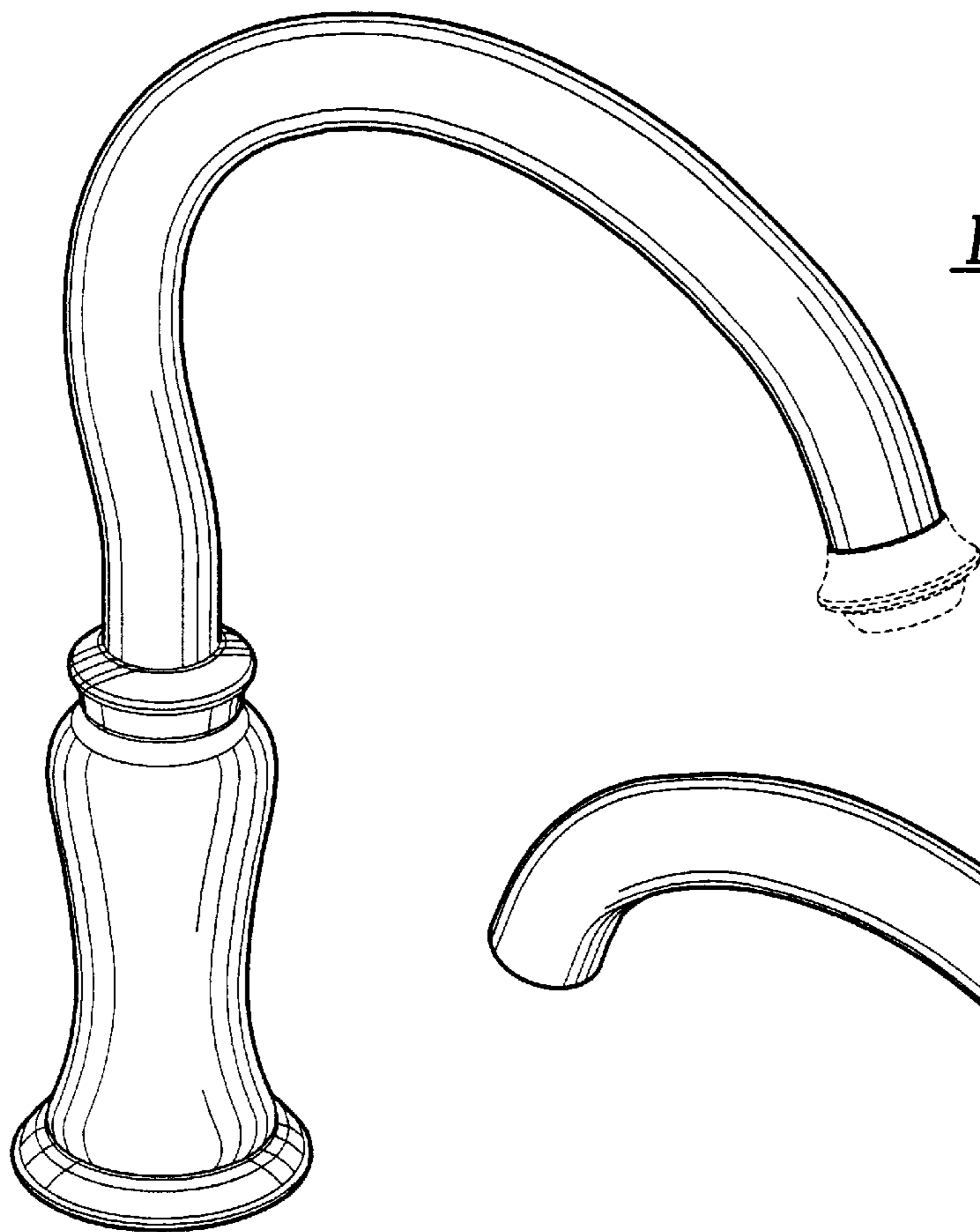


Fig-1

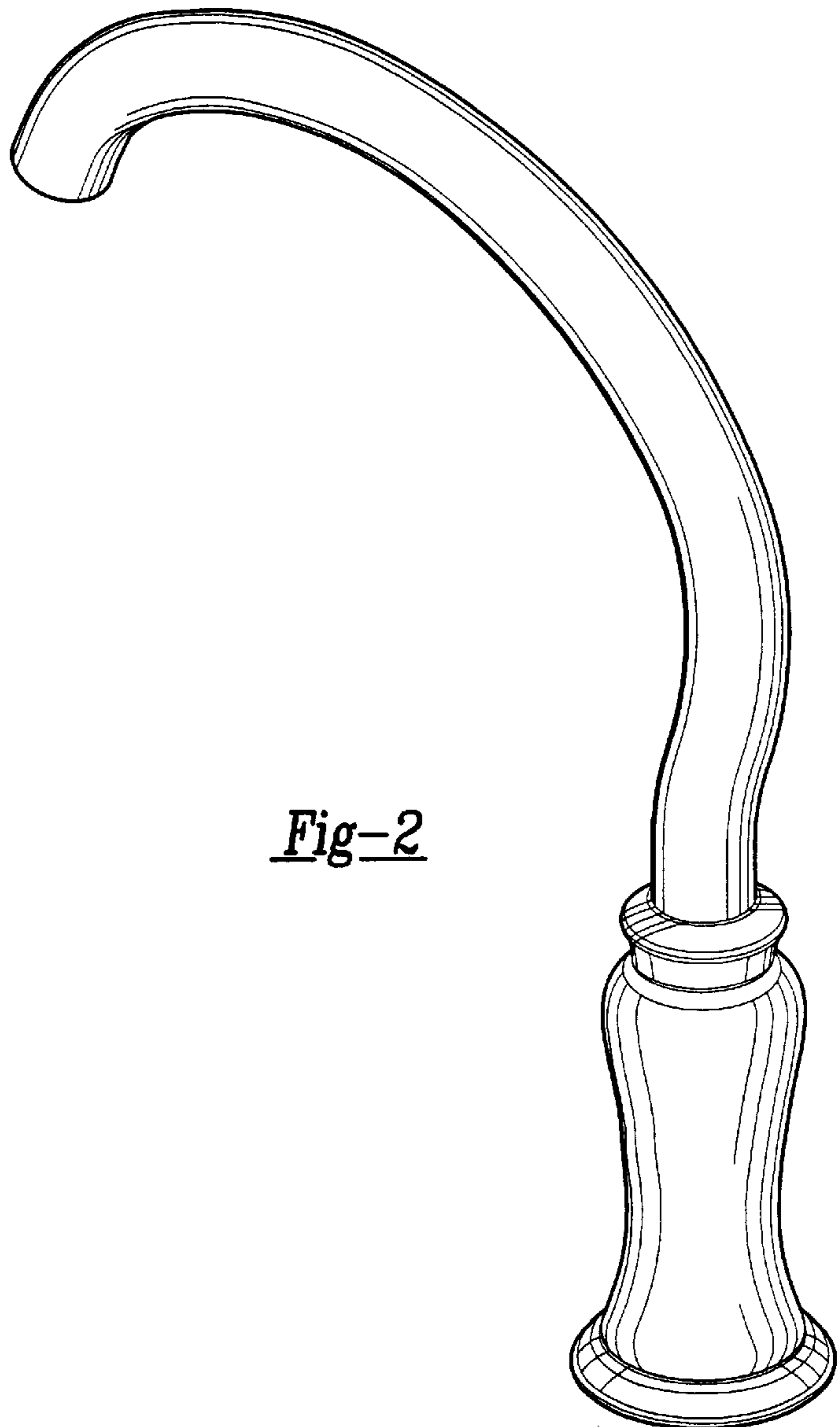


Fig-2

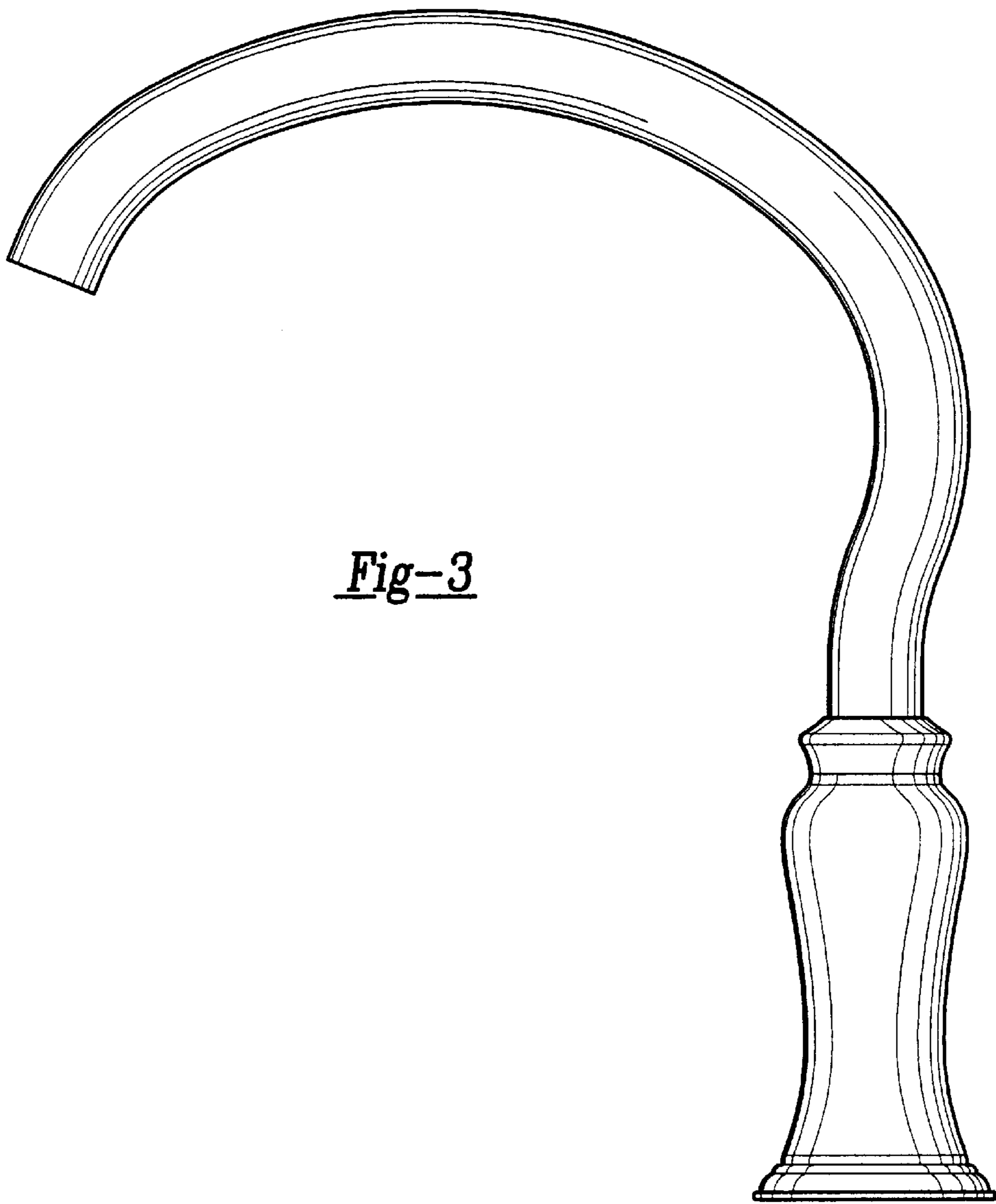


Fig-3

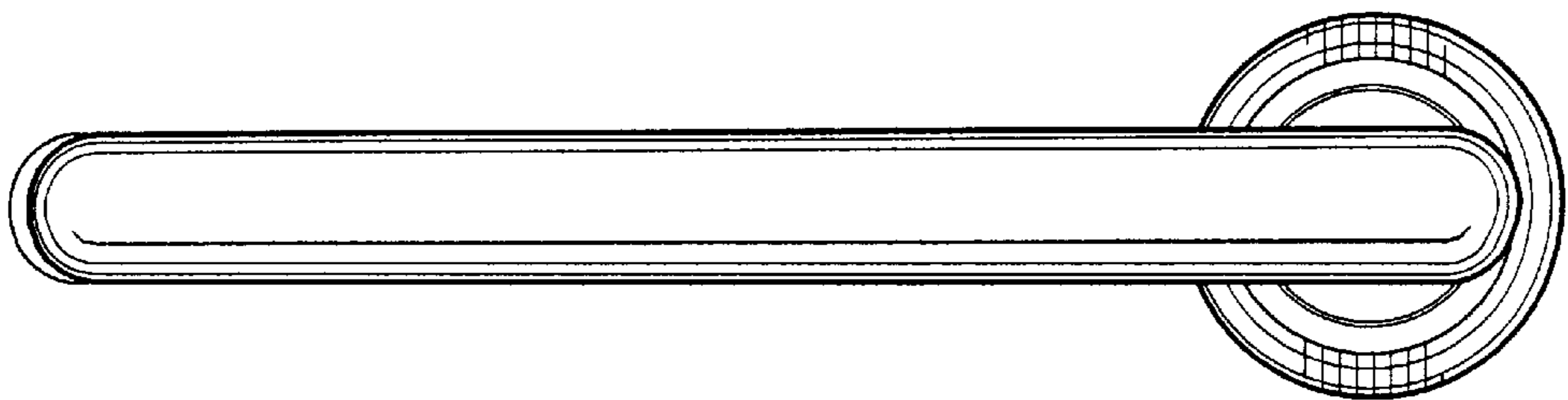


Fig-4

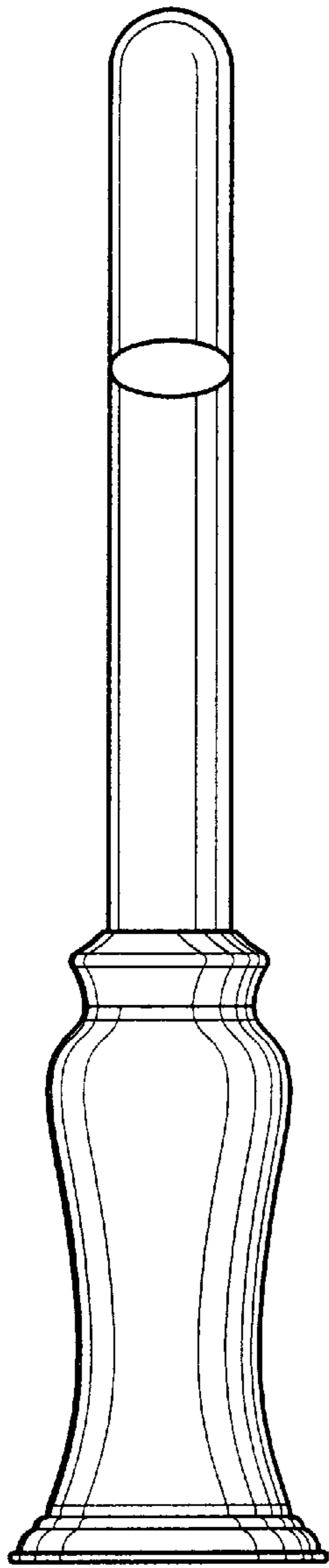


Fig-5

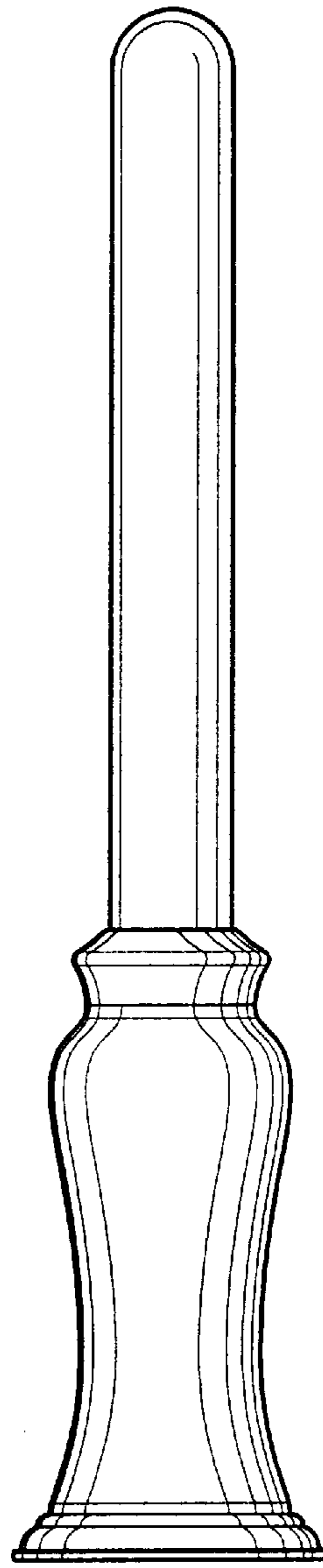


Fig-6

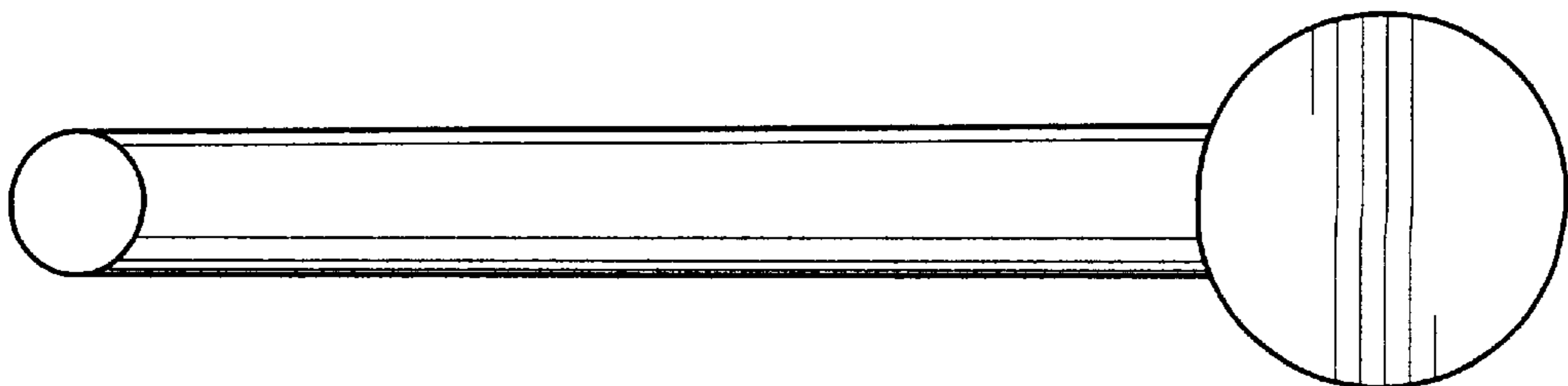


Fig-7