



US00D429521S

# United States Patent [19]

[11] **Patent Number: Des. 429,521**

**Doughty et al.**

[45] **Date of Patent: \*\* \*Aug. 15, 2000**

[54] **HANDLE HUB**

[75] Inventors: **Frederic C. Doughty**, South Pasadena;  
**Darren M. Mark**, Valencia, both of Calif.

[73] Assignee: **Emhart Inc.**, Newark, Del.

[\*] Notice: This patent is subject to a terminal disclaimer.

[\*\*] Term: **14 Years**

[21] Appl. No.: **29/074,118**

[22] Filed: **Jul. 29, 1997**

[51] **LOC (7) Cl.** ..... **23-01**

[52] **U.S. Cl.** ..... **D23/250; D23/303**

[58] **Field of Search** ..... D23/238-243,  
D23/250-257; D8/300, 306, 308, 310, 382,  
394, 397, 399; 4/675-678; 137/801

[56] **References Cited**

**U.S. PATENT DOCUMENTS**

D. 76,904	1/1928	Smith .	
D. 76,995	11/1928	Fraser .....	D28/254
D. 126,074	3/1941	Judell et al. .	
D. 208,428	8/1967	Holliday .....	D8/397
D. 208,429	8/1967	Holliday .....	D8/397
D. 280,008	8/1985	Miller et al. .	
D. 285,106	8/1986	Yost .	
D. 290,388	6/1987	Yost .	
D. 295,370	4/1988	Carlo et al. ....	D8/397
D. 318,717	7/1991	Spangler .	
D. 320,162	9/1991	Sorenson .....	D8/397 X
D. 348,509	7/1994	Bollenbacher .	
D. 357,525	4/1995	Fabian .	
D. 371,956	7/1996	Steffes .....	D8/397 X
D. 372,300	7/1996	Fabian .	
2,096,602	8/1937	Weingarten .	
3,084,349	4/1963	Sundblad et al. .	

**OTHER PUBLICATIONS**

Harden Industries, Inc. "Top Brass Series 10, and 83 & 84".  
American Standard, Inc. "Sottini Azimuth" and the "Cadet Collection"; 1991.

Dornbracht GmbH & Co. "Edition Madison Flair"; 1988.  
Artistic Brass; "Bath & Accessories" and the "Cadet Collection"; 1996.  
Artistic Brass; "Colonial Series".  
Artistic Brass; "63 Series", "64 Series" and "68 Series"; 1991.  
Raphael Ltd.; "Venetian" faucet; 1988.  
Price Pfister, Inc.; 1991.  
Price Pfister, Inc.; "Product Portfolio"; 1994.  
Price Pfister, Inc.; "Pocket Portfolio"; 1997.  
The Architectrol Record, Spearman Showers & Fixtures, Modern Diamond Design, May 1936, p. 53.

*Primary Examiner*—Louis S. Zarfes  
*Assistant Examiner*—Eric Watterson  
*Attorney, Agent, or Firm*—Harold Weinstein

[57] **CLAIM**

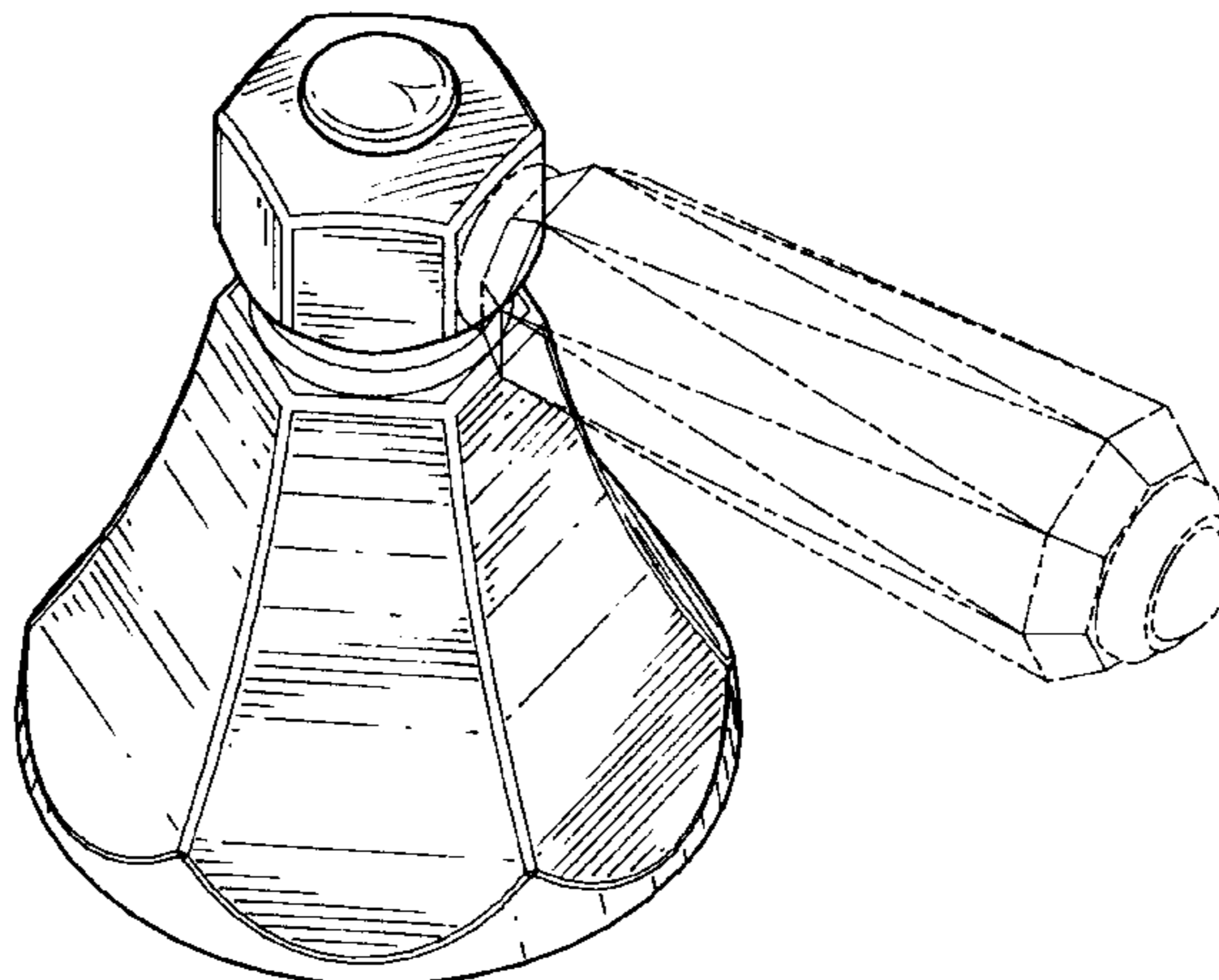
The ornamental design for handle hub, as shown and described.

**DESCRIPTION**

FIG. 1 is a perspective view of our new design of the handle hub;  
FIG. 2 is a right elevational view of our new design of the handle hub;  
FIG. 3 is a left elevational view of our new design of the handle hub;  
FIG. 4 is a front elevational view of our new design of the handle hub;  
FIG. 5 is a rear elevational view of our new design of the handle hub;  
FIG. 6 is a top plan view of our new design of the handle hub; and,  
FIG. 7 is a bottom plan view of our new design of the handle hub.

The broken line showing is for illustrative purposes only and forms no part of the claimed design.

**1 Claim, 3 Drawing Sheets**



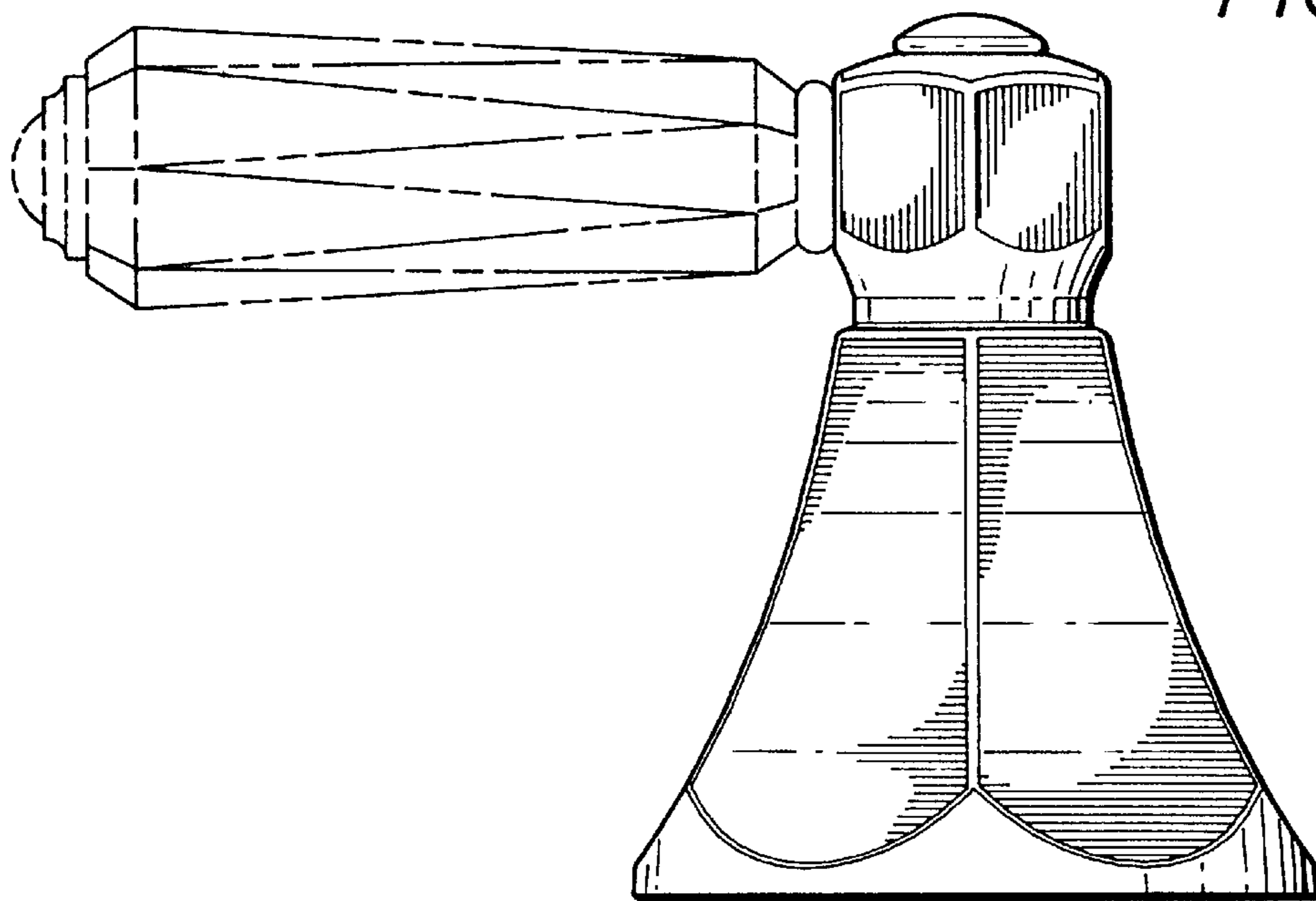
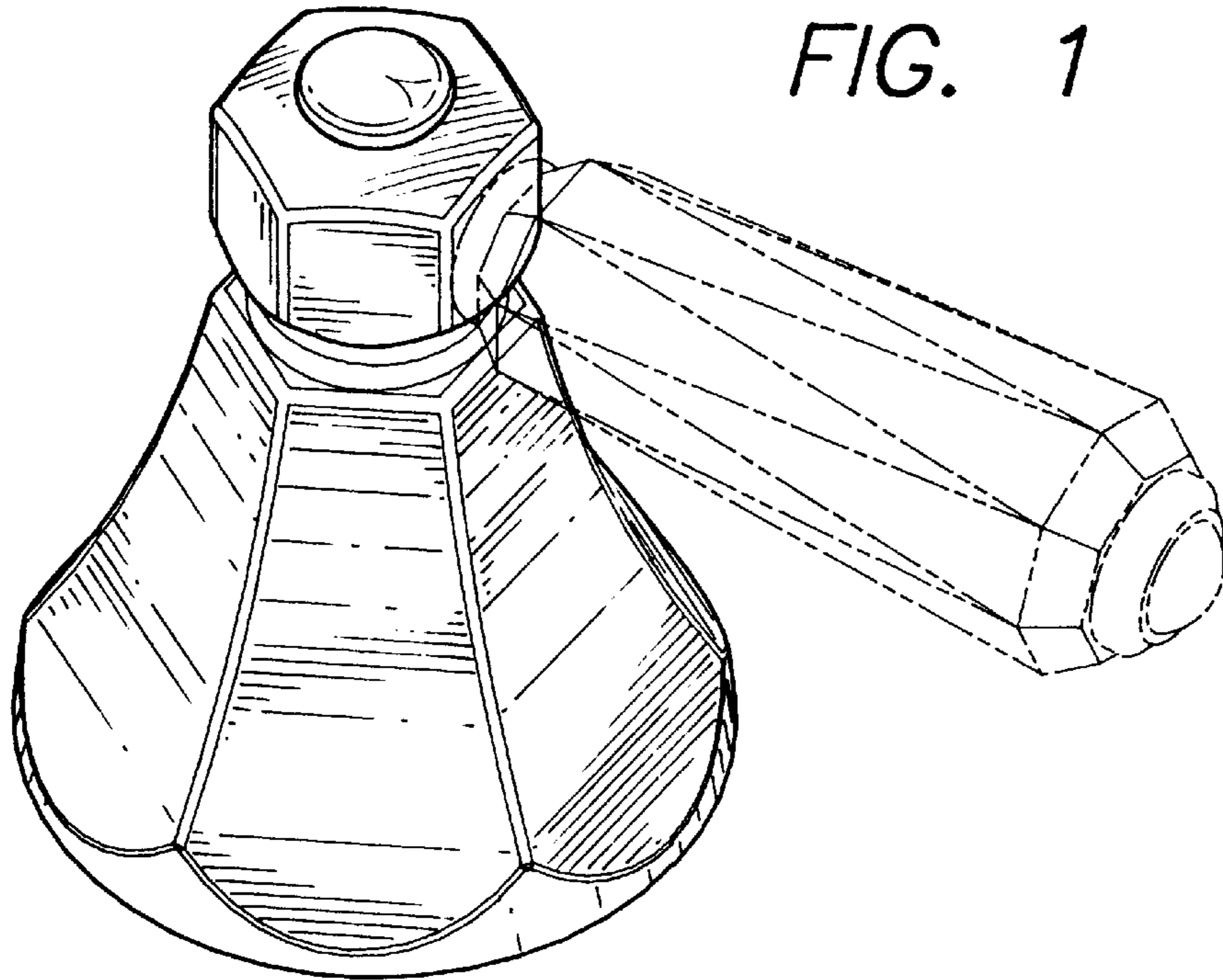


FIG. 3

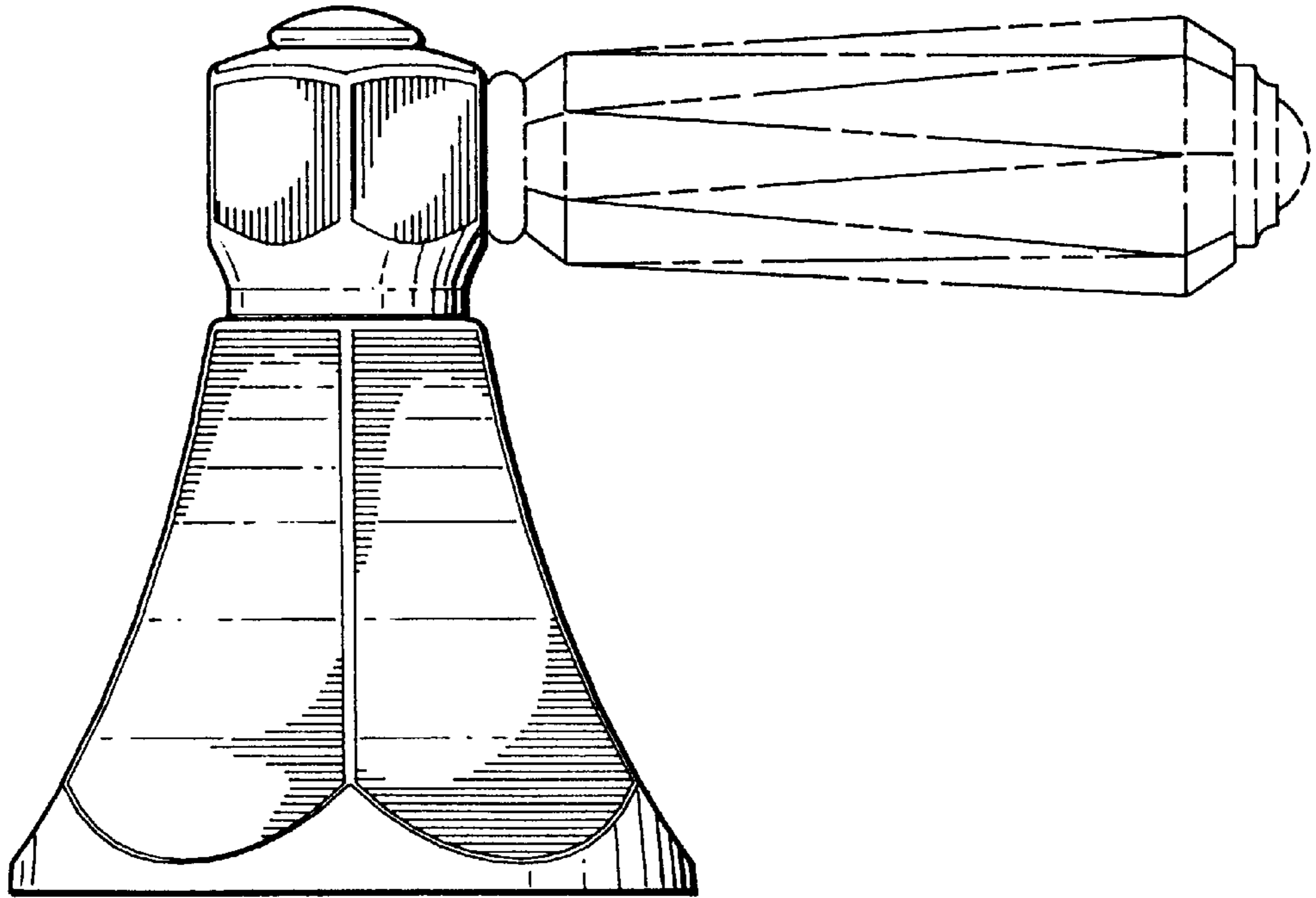
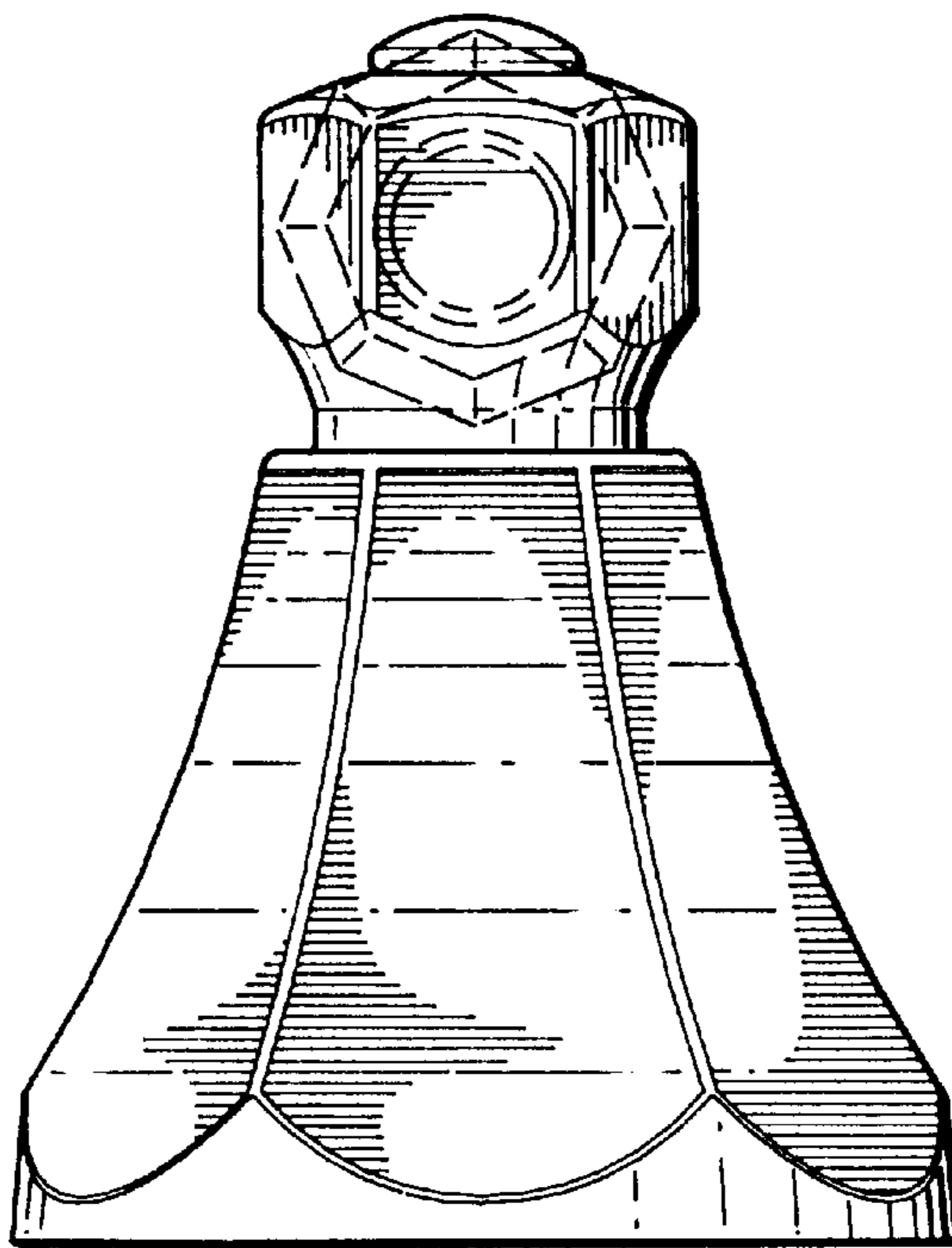


FIG. 4



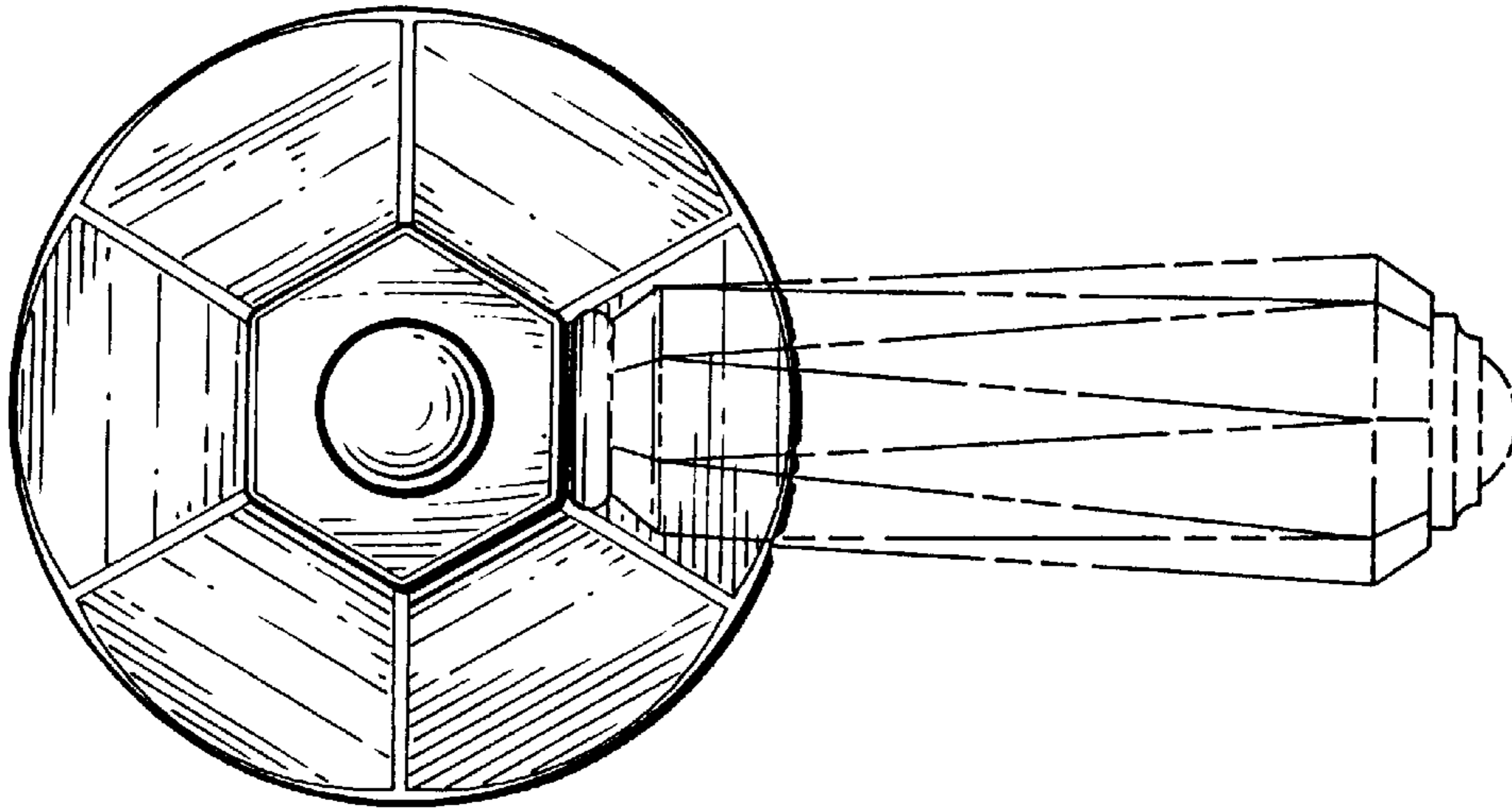


FIG. 6

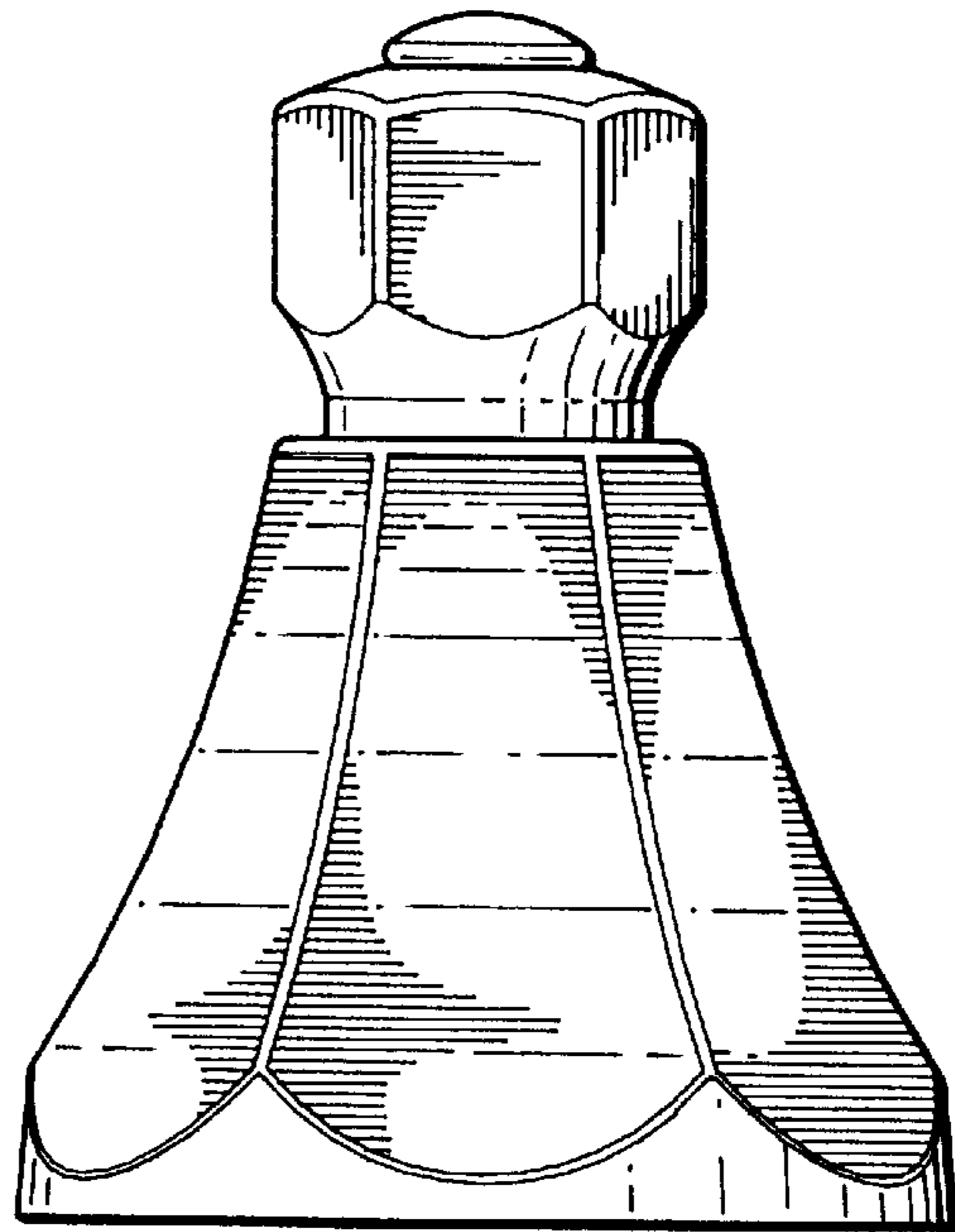


FIG. 5

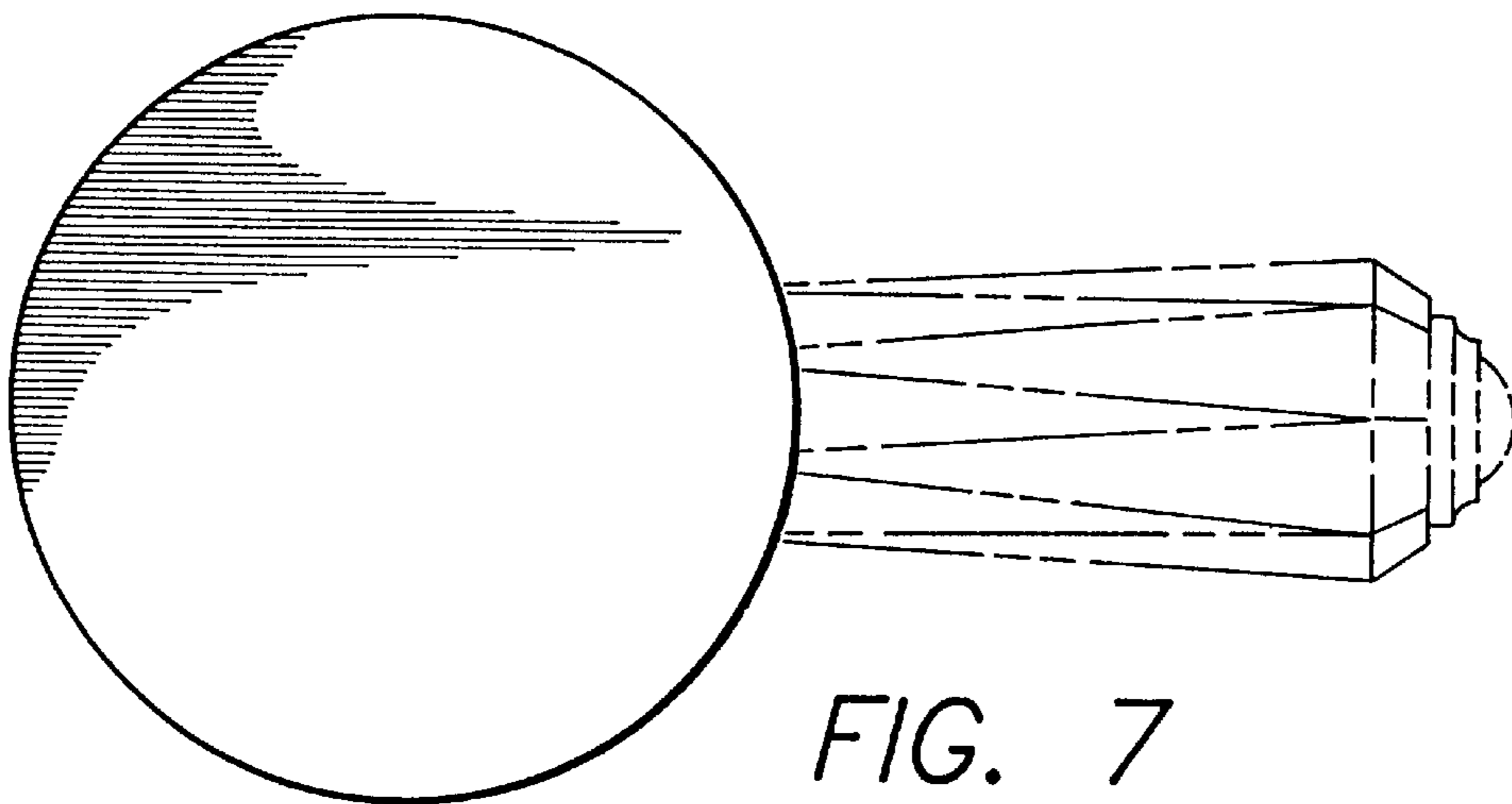


FIG. 7