



US00D429520S

United States Patent [19]

Ferrer Beltran

[11] Patent Number: Des. 429,520

[45] Date of Patent: ** Aug. 15, 2000

[54] VALVE

[75] Inventor: Jose María Ferrer Beltran, Foyos, Spain

[73] Assignee: Valvulas Arco, S.A., Valencia, Spain

[**] Term: 14 Years

[21] Appl. No.: 29/110,815

[22] Filed: Sep. 14, 1999

[51] LOC (7) Cl. 23-01

[52] U.S. Cl. D23/233

[58] Field of Search D23/233-237;
251/310, 315.01, 315.1, 315.14, 309

[56] References Cited

U.S. PATENT DOCUMENTS

D. 359,102	6/1995	Bouc et al.	D23/233
2,606,738	8/1952	Glen	251/315.14
4,262,880	4/1981	Danko et al.	251/309
4,609,177	9/1986	Turner et al.	251/310
4,960,262	10/1990	Hashimoto et al.	251/315.1
4,964,614	10/1990	Sand et al.	251/309

Primary Examiner—Robin V. Taylor
Attorney, Agent, or Firm—Lackenbach Siegel Marzullo
Aronson & Greenspan P.C.

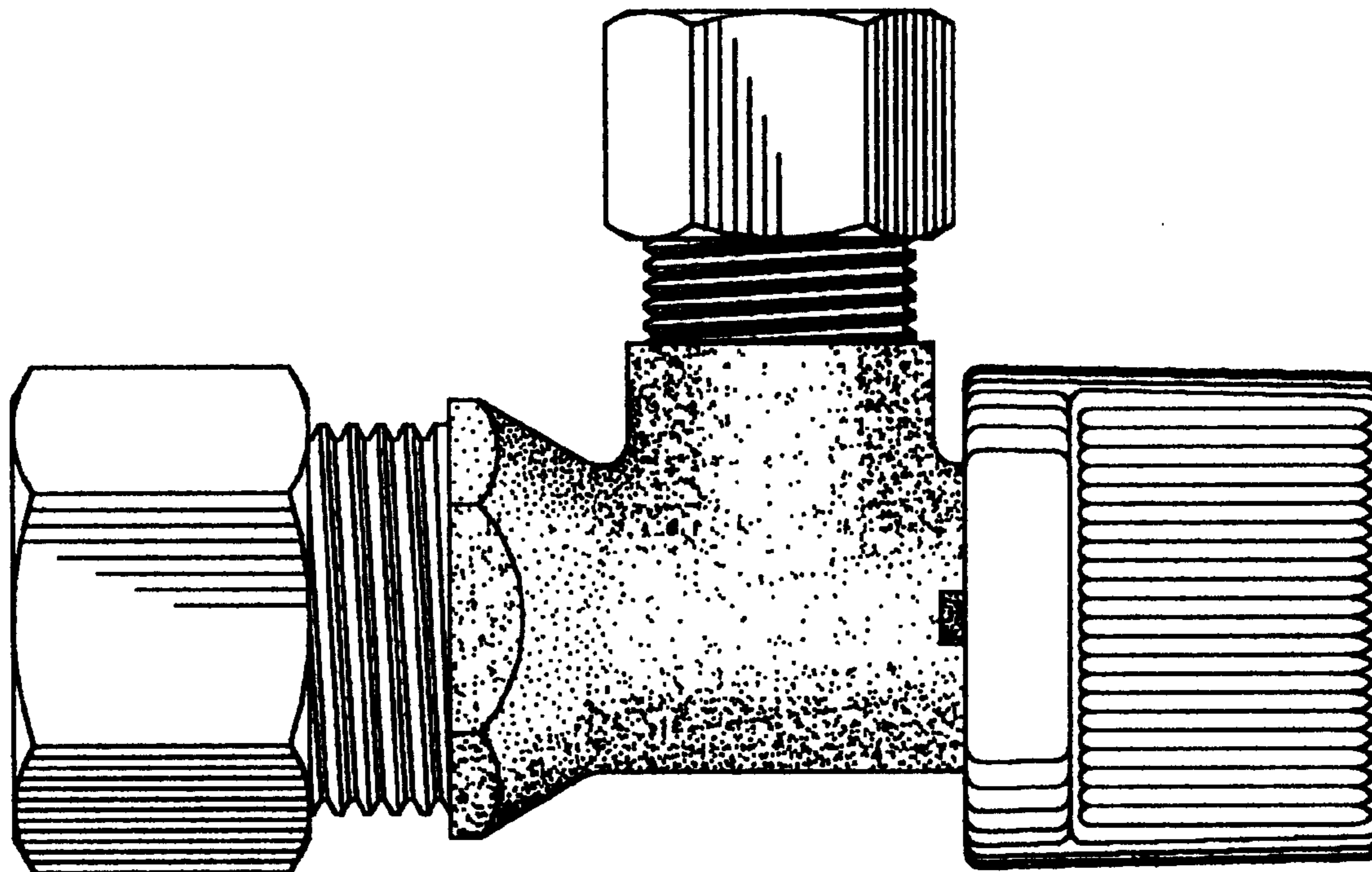
[57] CLAIM

The ornamental design for a valve, as shown and described.

DESCRIPTION

FIG. 1 is a front view of my new valve design, shown in open position;
 FIG. 2 is a left end view thereof;
 FIG. 3 is a right end view thereof;
 FIG. 4 is a top view of the valve design;
 FIG. 5 is a sectional view taken along line 5—5 of FIG. 4, showing two valve stops for the valve knob, but with the valve in the open position;
 FIG. 6 is another top view, with the valve knob rotated 90°, but showing the valve in the closed position;
 FIG. 7 is another sectional view taken along line 7—7 of FIG. 6, showing the valve knob rotated 90 (closed position);
 FIG. 8 is a bottom view thereof; and,
 FIG. 9 is a rear view thereof; in open position.

1 Claim, 3 Drawing Sheets



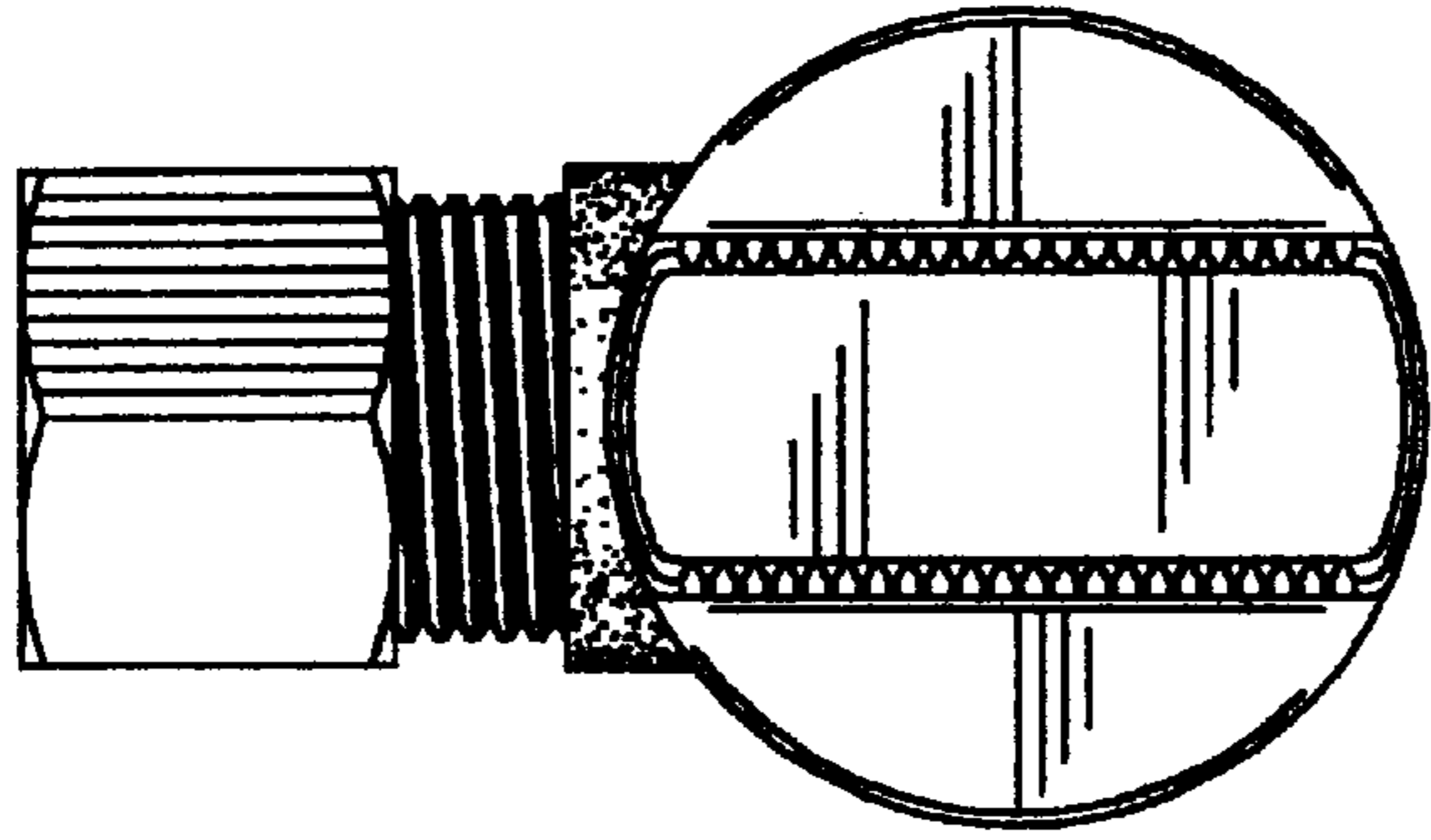


FIG. 3

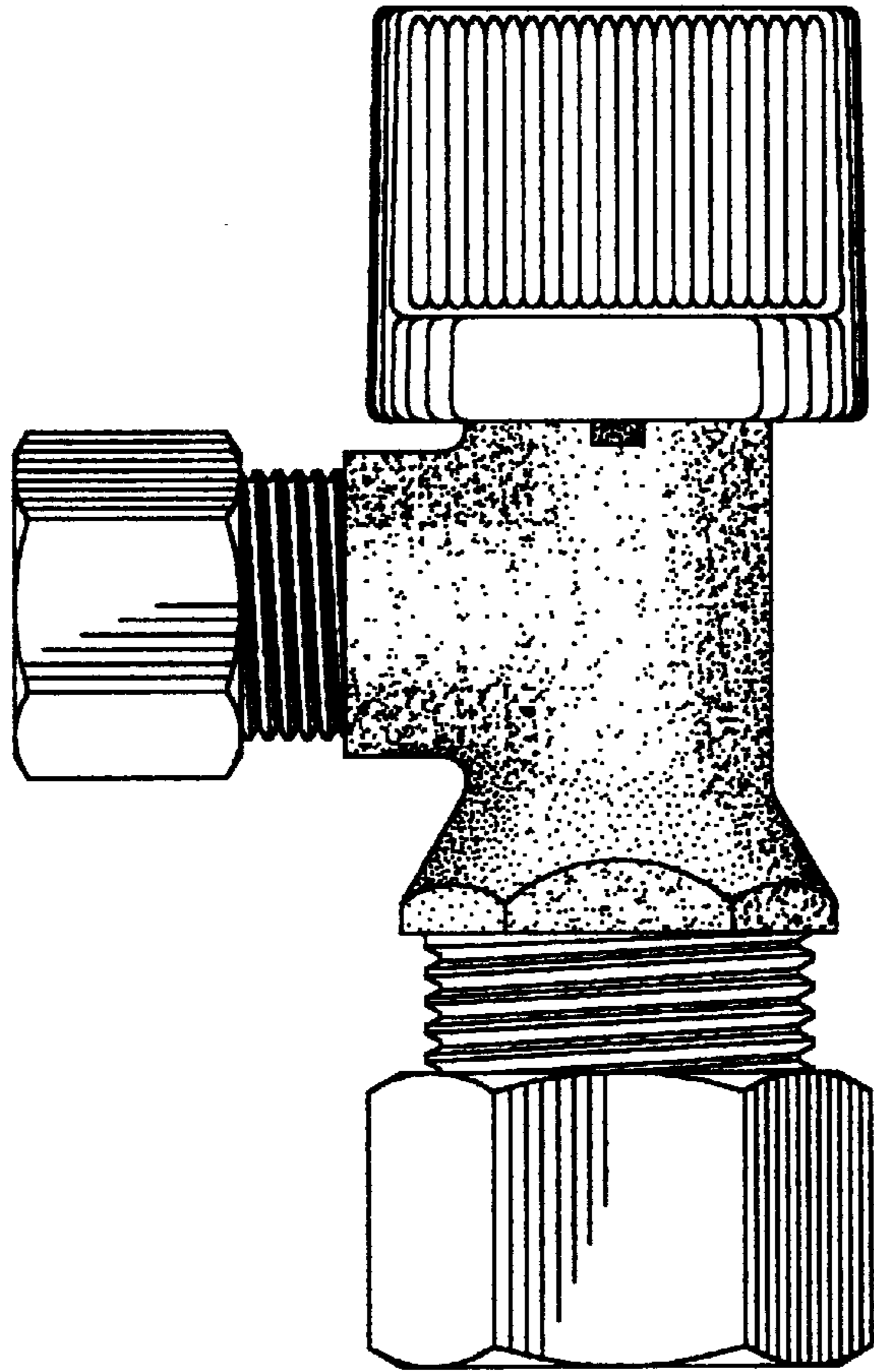


FIG. 1

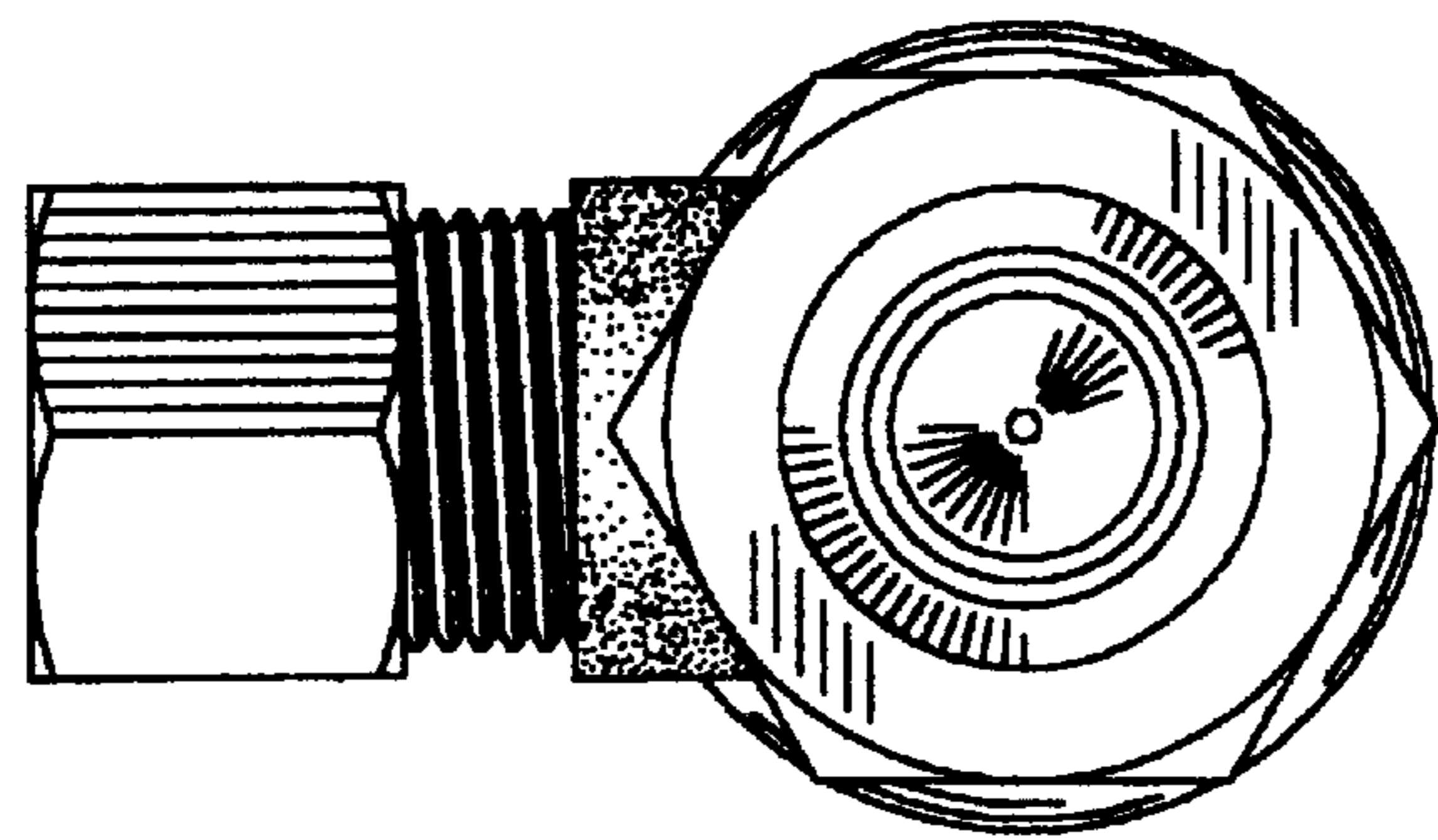


FIG. 2

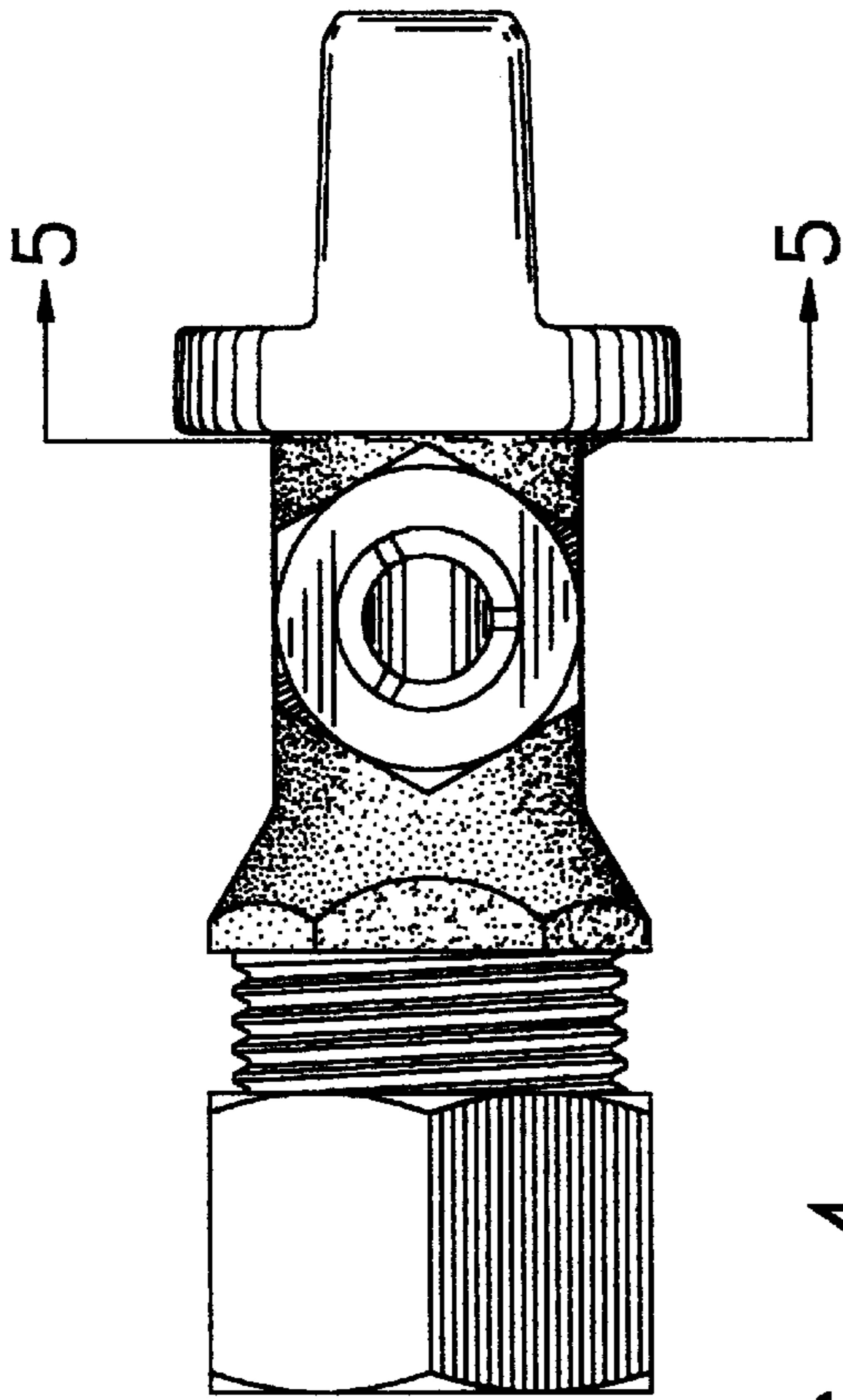


FIG. 4

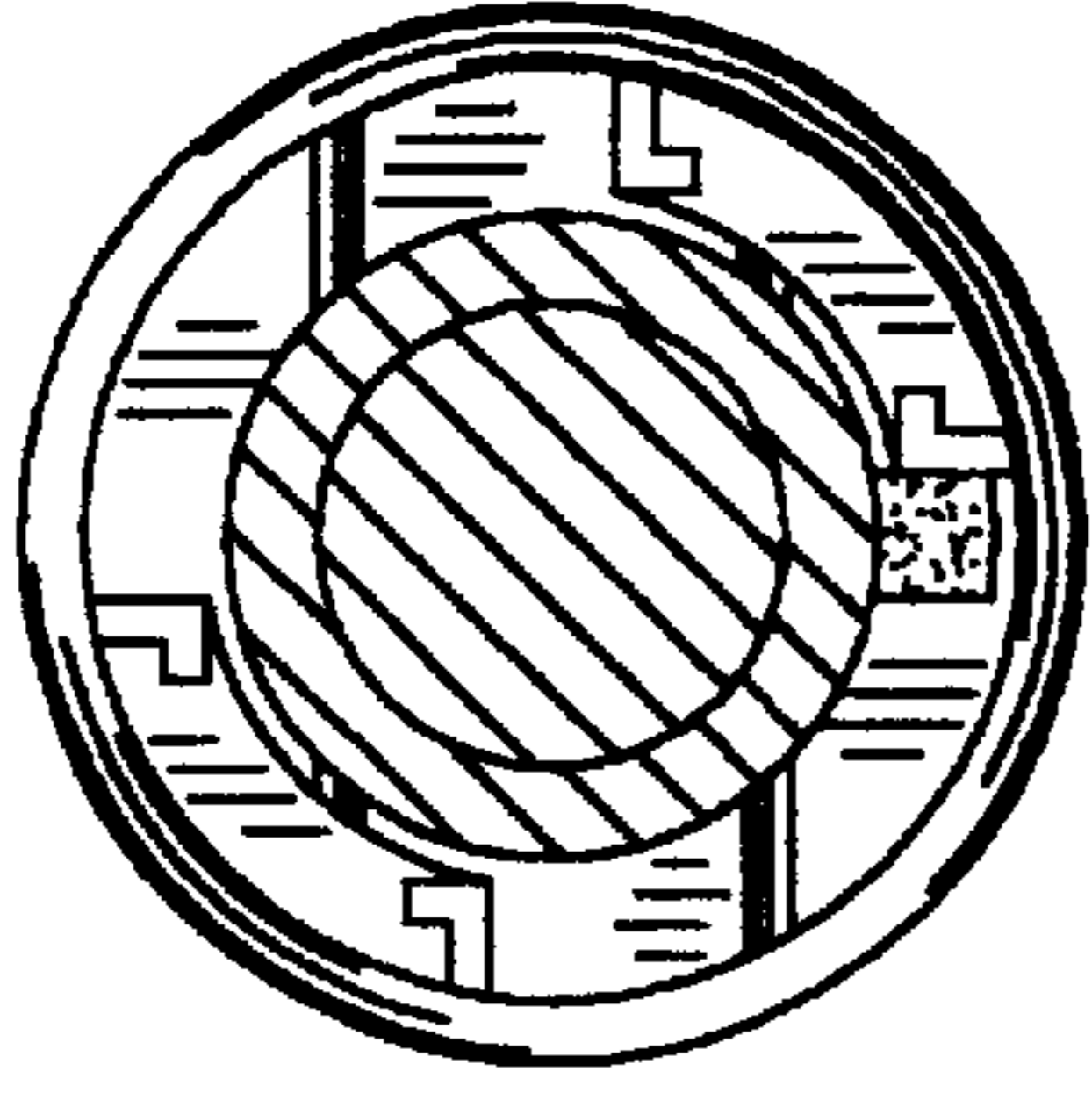


FIG. 5

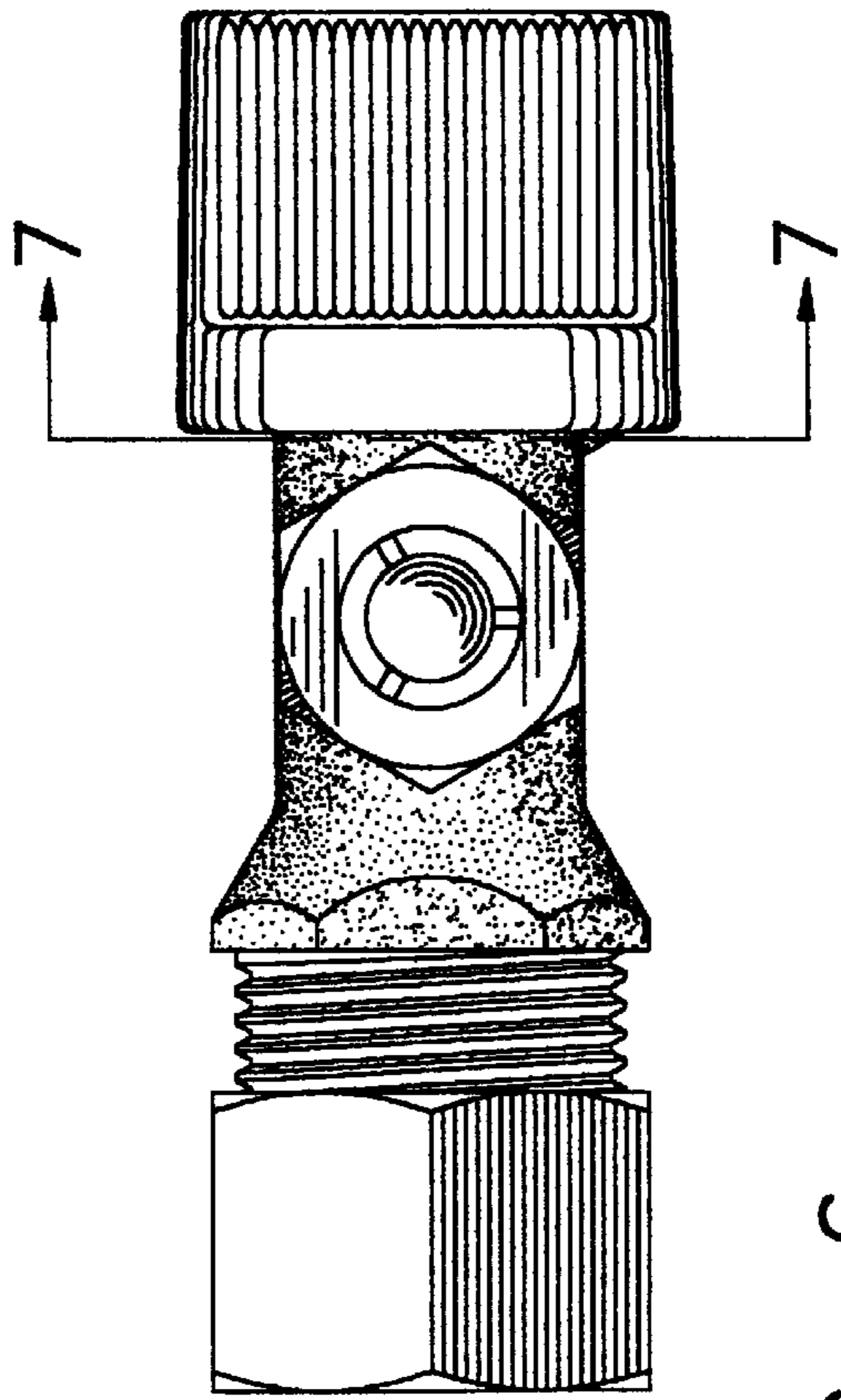


FIG. 6

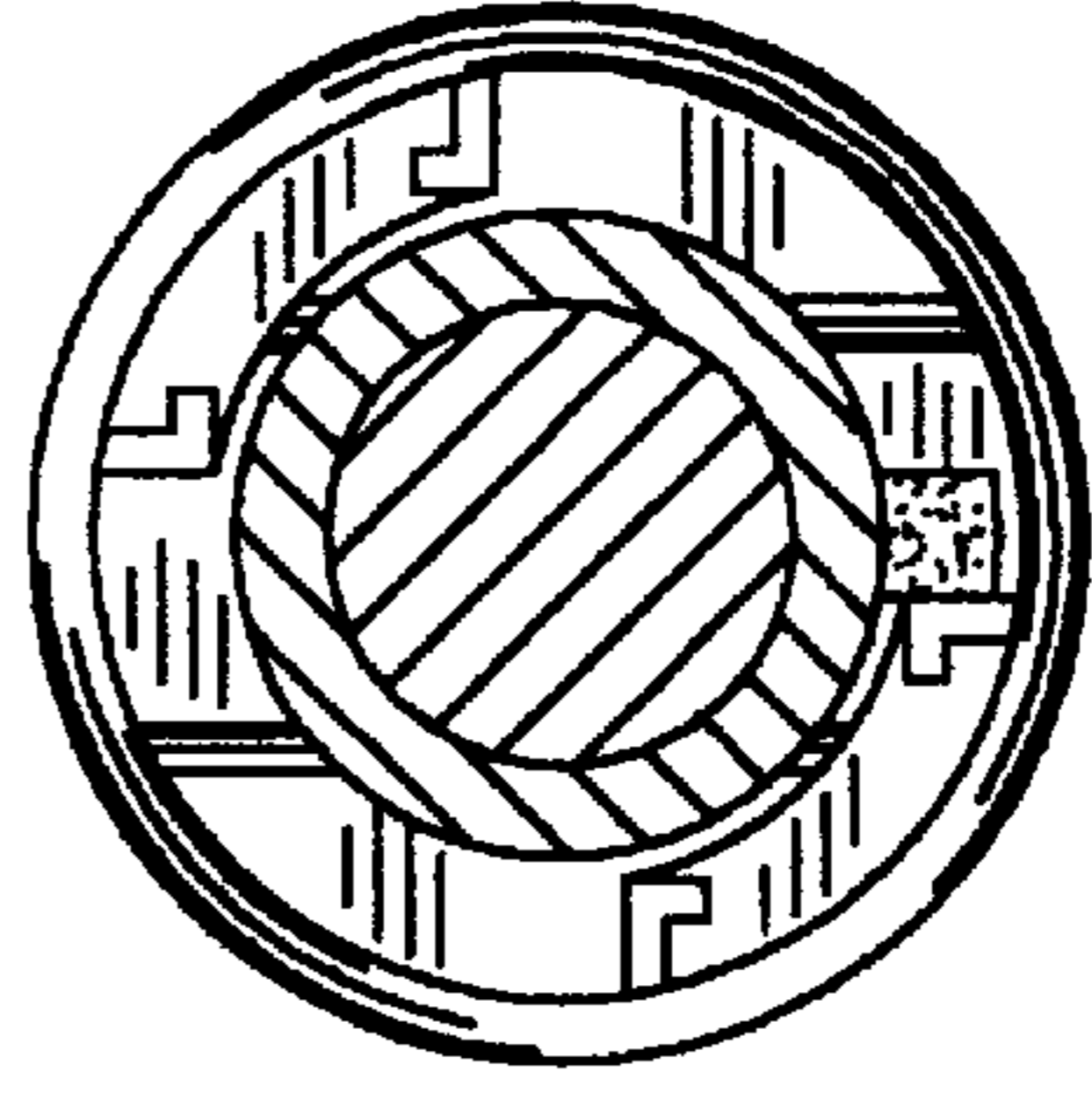


FIG. 7

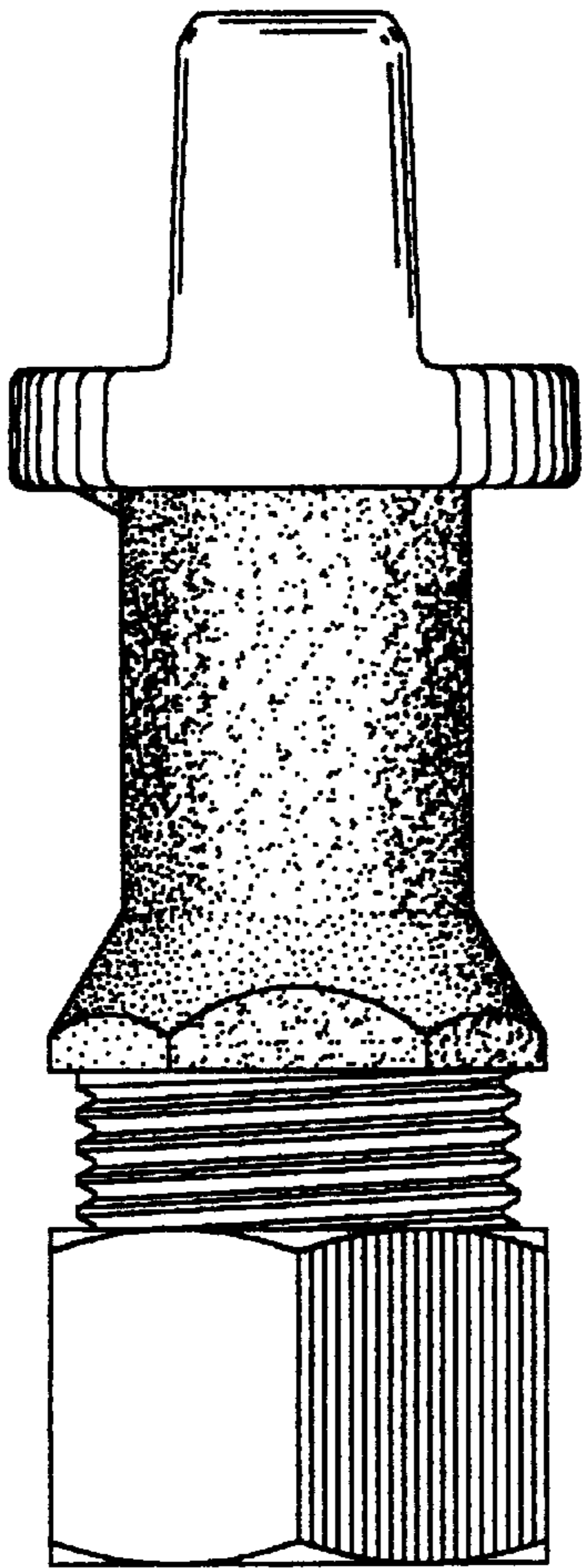


FIG. 8

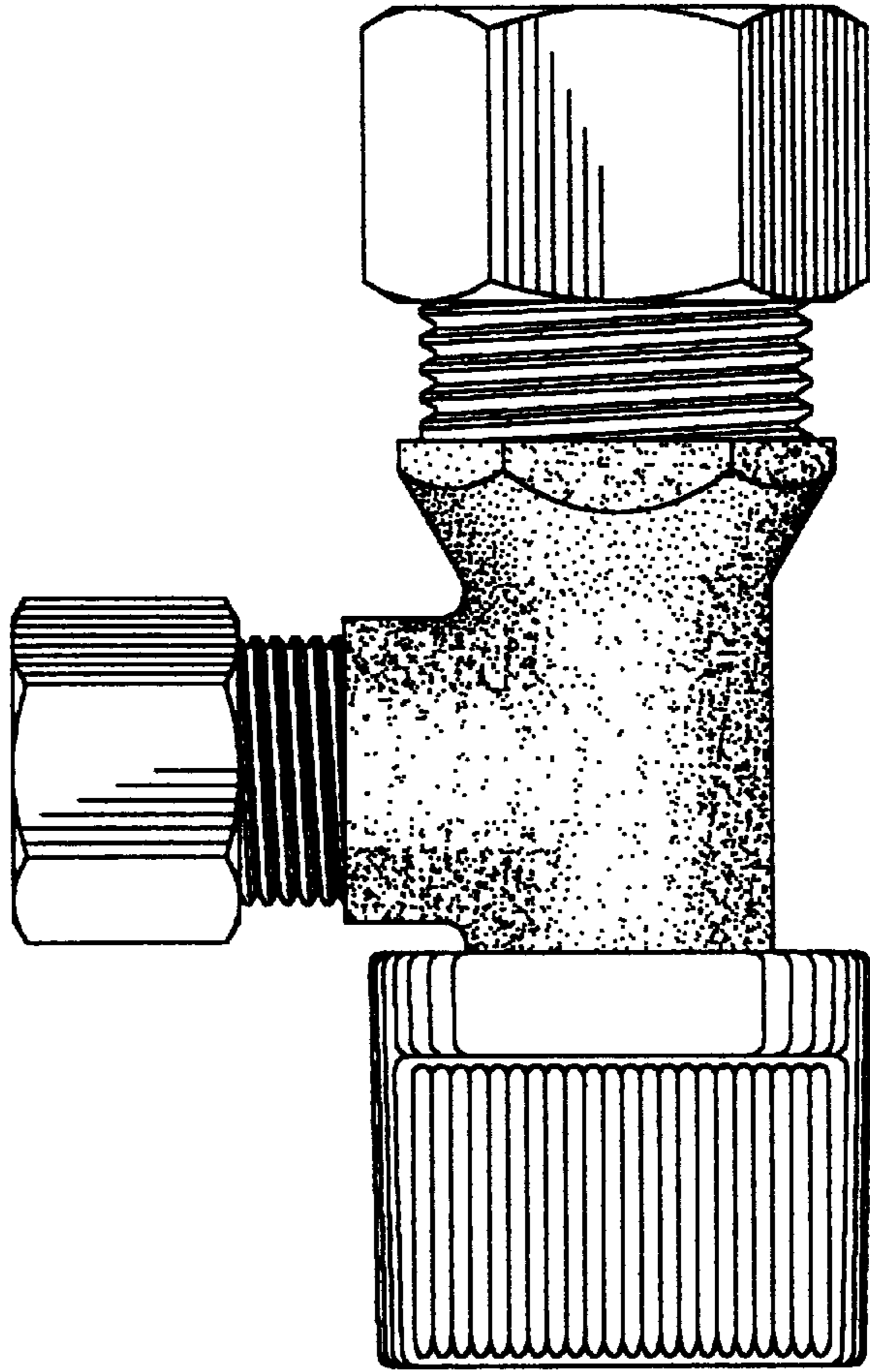


FIG. 9