



US00D429519S

# United States Patent [19]

[11] **Patent Number: Des. 429,519**

**Ferrer Beltran**

[45] **Date of Patent: \*\* Aug. 15, 2000**

[54] **VALVE**

*Primary Examiner*—Robin V. Taylor  
*Attorney, Agent, or Firm*—Lackenbach Siegel Marzullo  
Aronson & Greenspan PC

[75] **Inventor: Jose María Ferrer Beltran**, Foyos,  
Spain

[57] **CLAIM**

[73] **Assignee: Valvulas Arco, S.A.**, Valencia, Spain

The ornamental design for a valve, as shown and described.

[\*\*] **Term: 14 Years**

**DESCRIPTION**

[21] **Appl. No.: 29/110,814**

FIG. 1 is a front view of my new valve; showing the valve in open position;

[22] **Filed: Sep. 14, 1999**

FIG. 2 is a left end view thereof;

[51] **LOC (7) Cl. .... 23-01**

FIG. 3 is a right end view thereof;

[52] **U.S. Cl. .... D23/233**

FIG. 4 is a top view thereof;

[58] **Field of Search .... D23/233-237;**  
251/310, 315.01, 315.1, 315.14, 309

FIG. 5 is a sectional view taken along line 5—5 of FIG. 2, showing two valve stops for the valve knob, but with the valve shown in open position;

[56] **References Cited**

FIG. 6 is another left end view thereof, but with the valve in the closed position;

**U.S. PATENT DOCUMENTS**

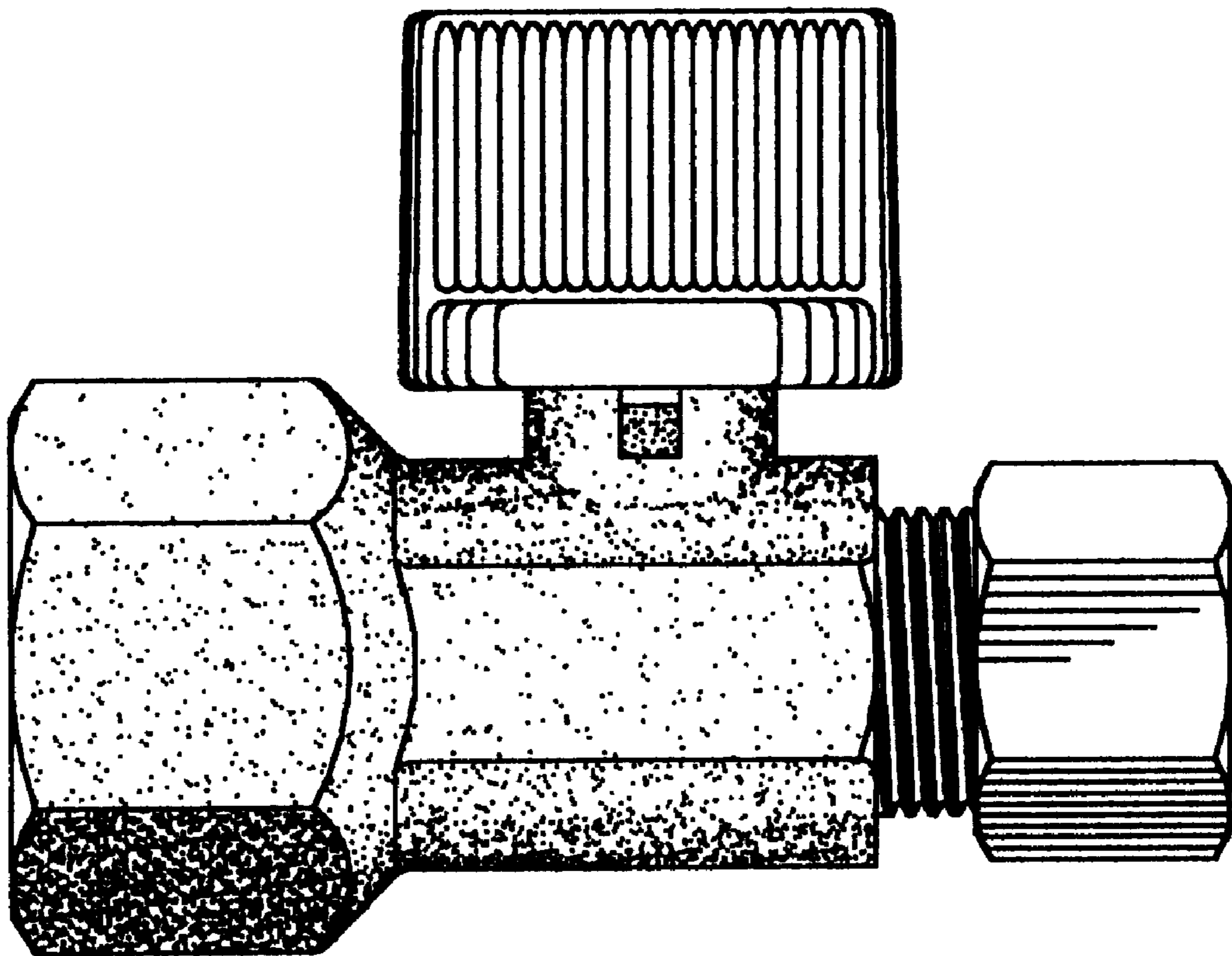
FIG. 7 is another sectional view taken along line 7—7 of FIG. 6, showing the valve knob rotated 90 (closed position);

D. 359,102	6/1995	Bouc et al. ....	D23/233
2,606,738	8/1952	Glen .....	251/315.14
4,262,880	4/1981	Danko et al. ....	251/309
4,609,177	9/1986	Turner et al. ....	251/310
4,960,262	10/1990	Hashimoto et al. ....	251/315.1
4,964,614	10/1990	Sand et al. ....	251/309

FIG. 8 is a bottom view thereof; and,

FIG. 9 is a rear view thereof; in open position.

**1 Claim, 3 Drawing Sheets**



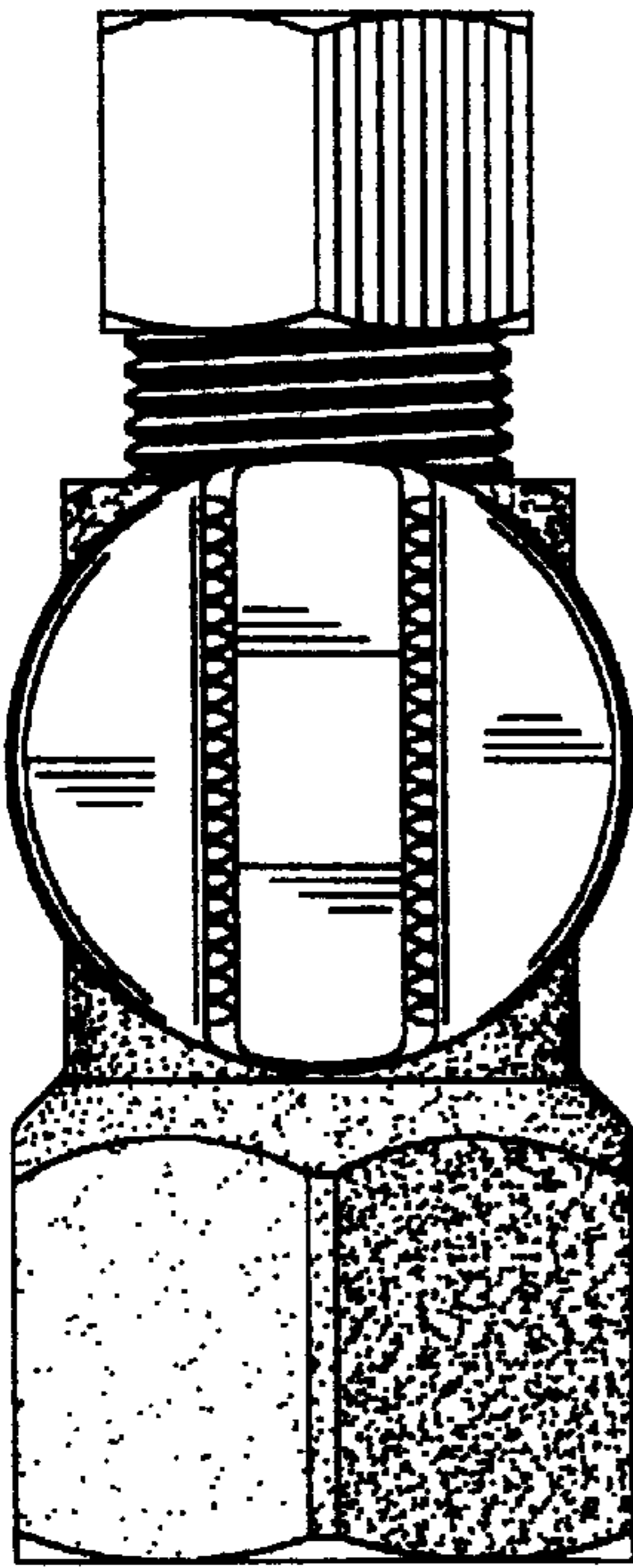


FIG. 4

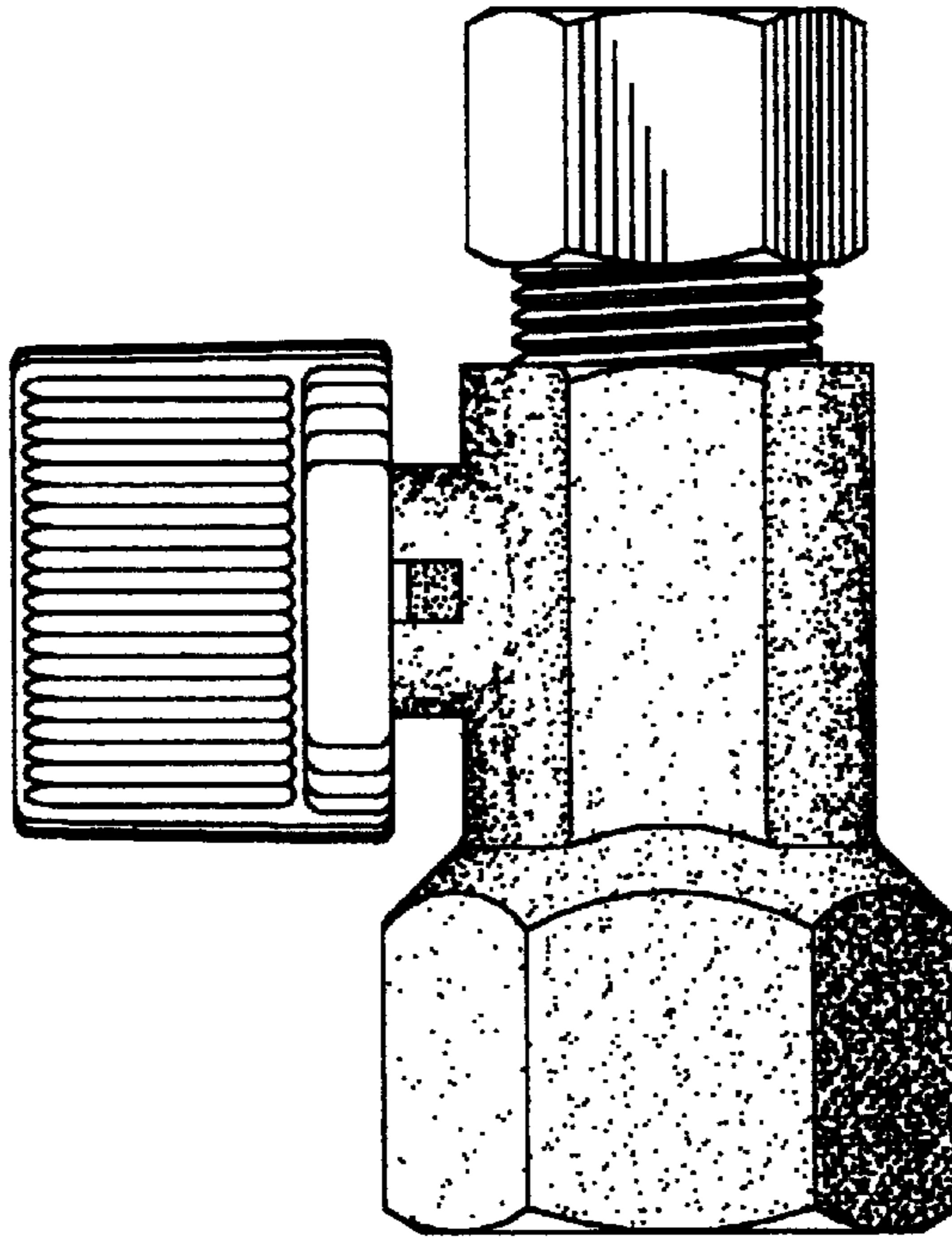


FIG. 1

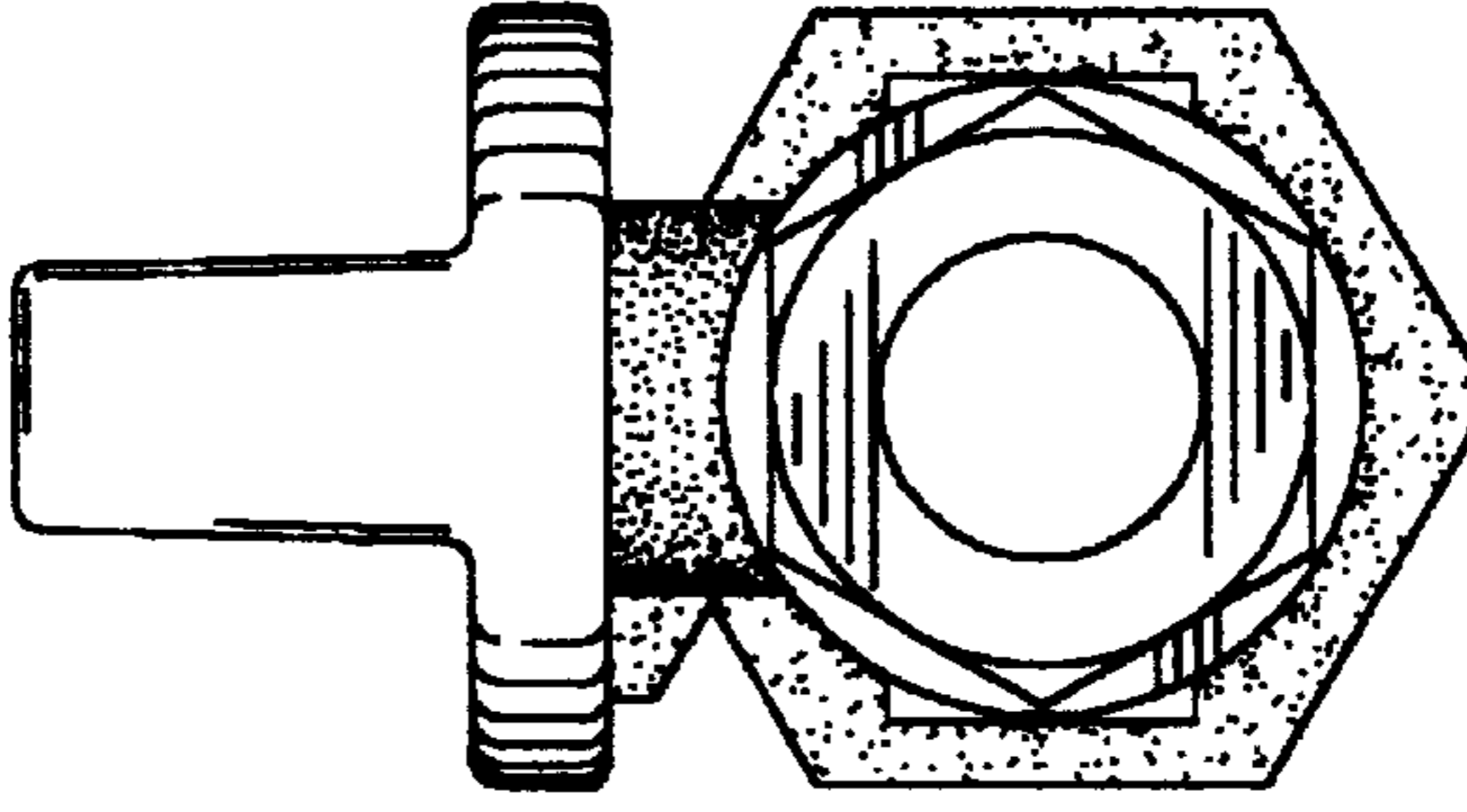


FIG. 3

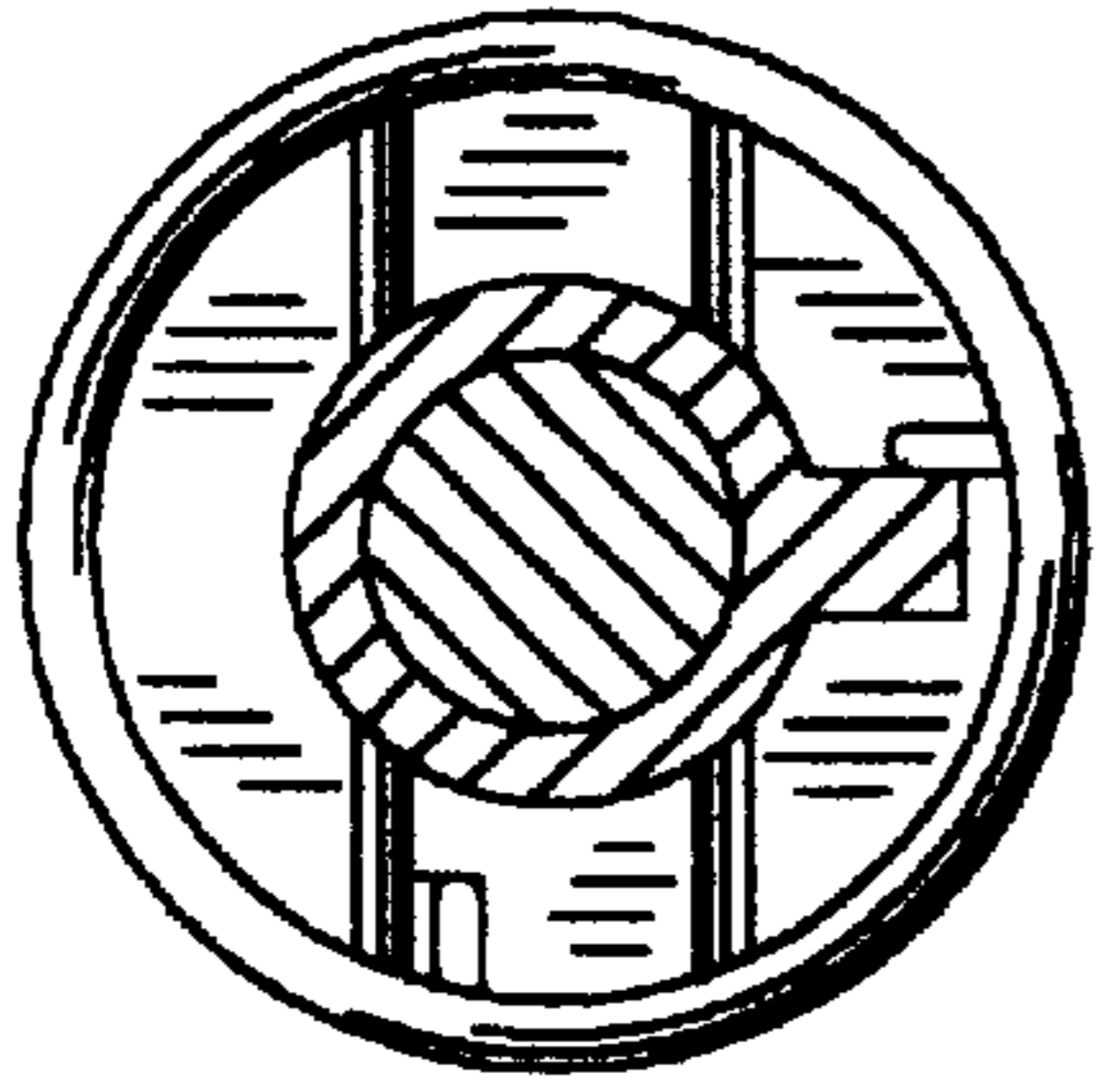


FIG. 5

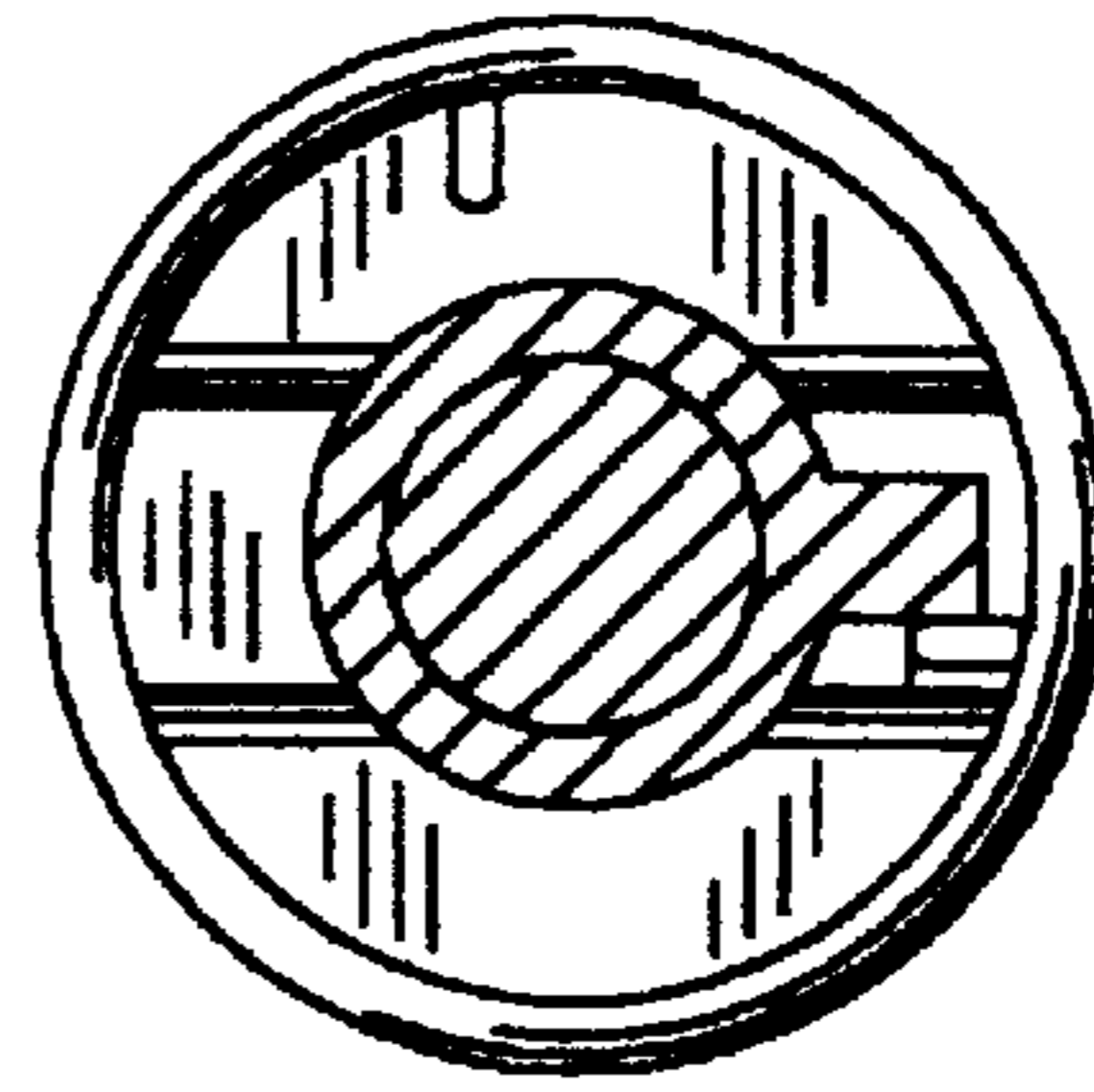


FIG. 7

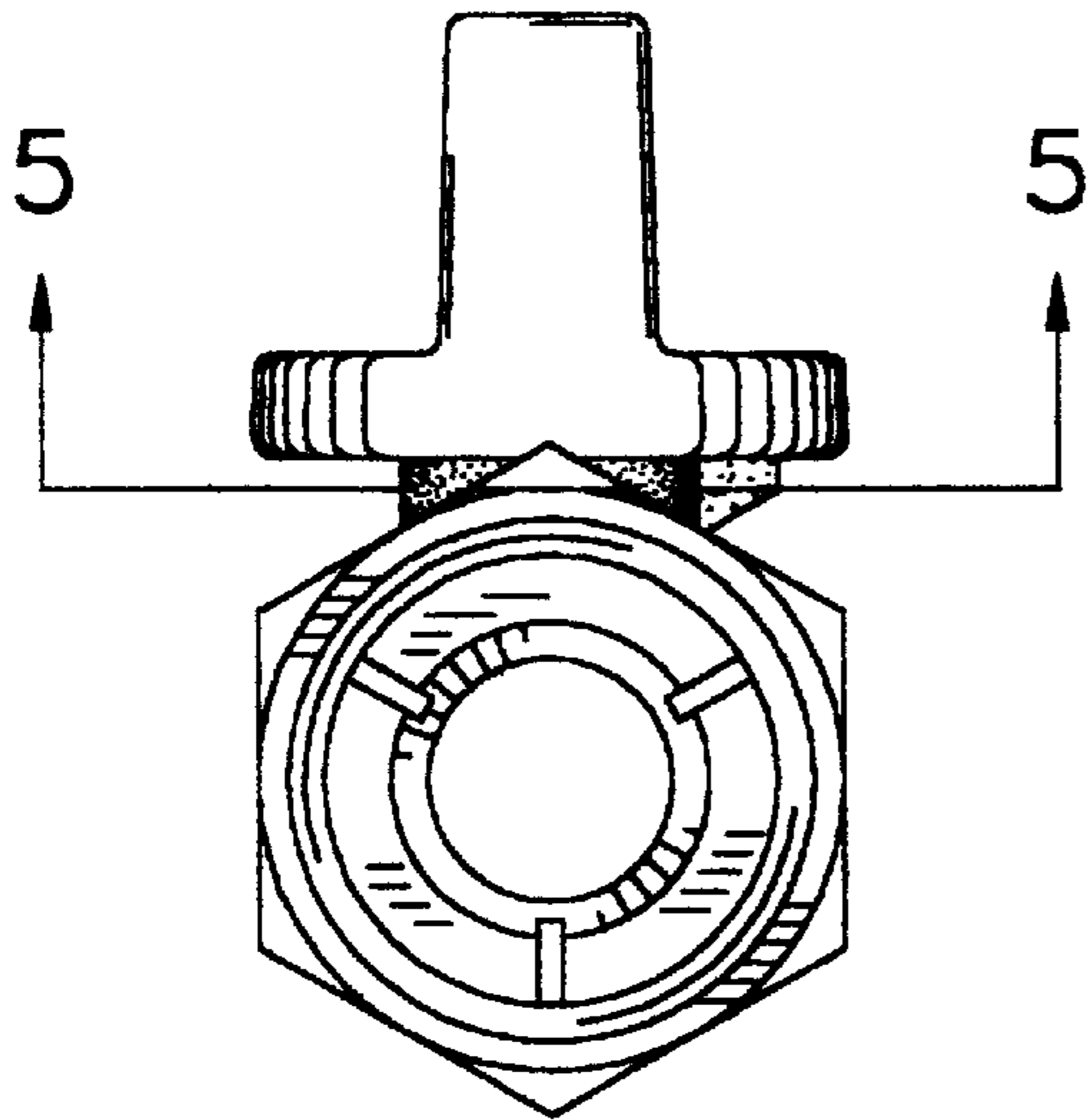


FIG. 2

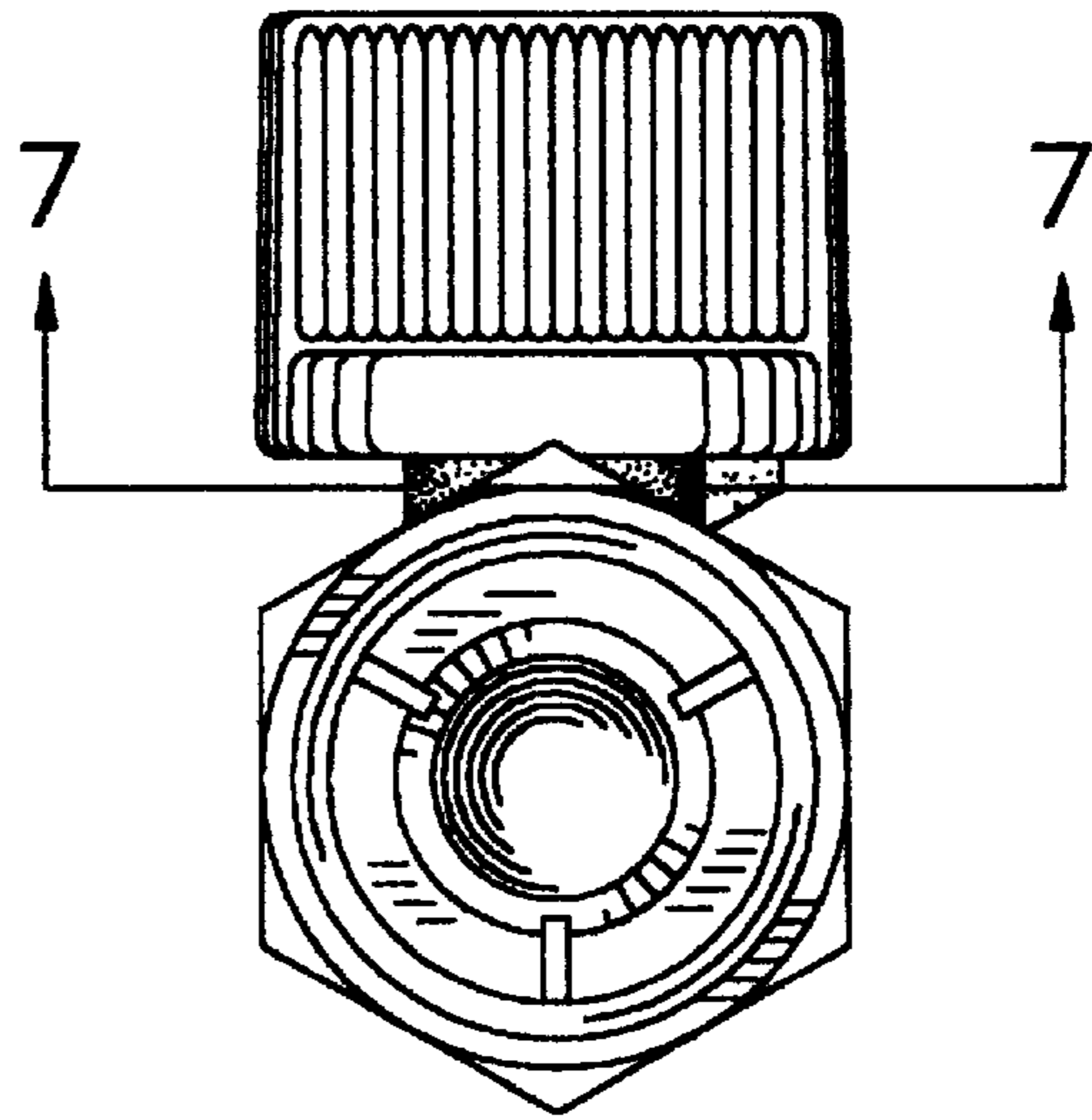


FIG. 6

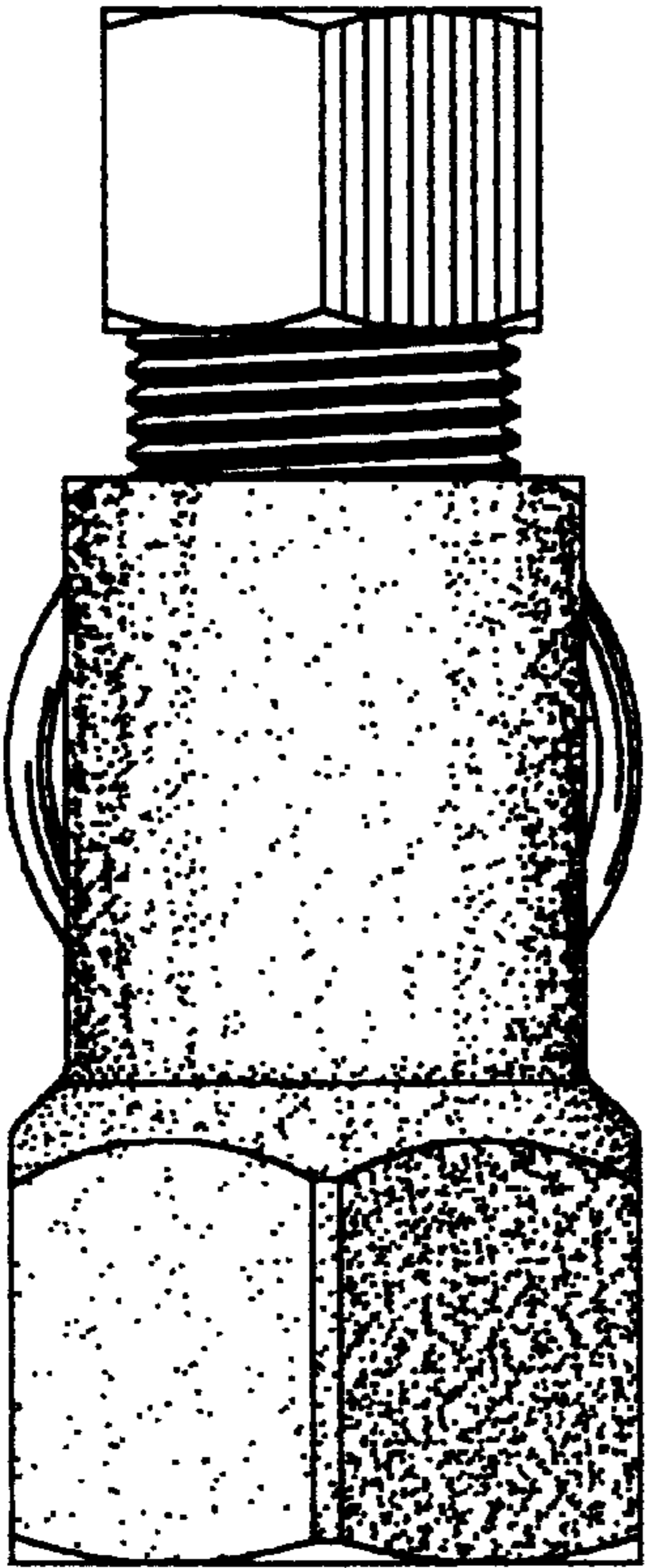


FIG. 8

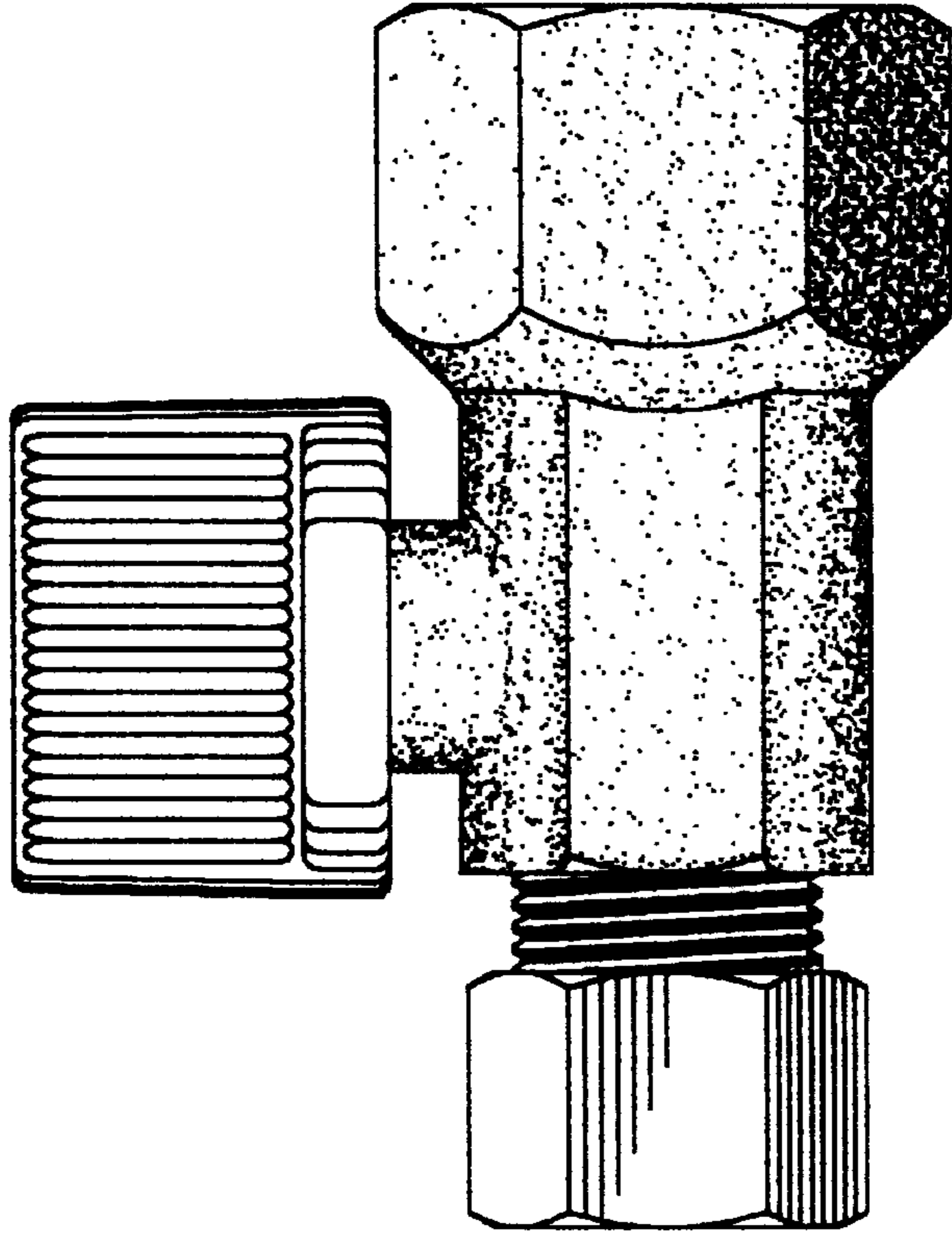


FIG. 9