



US00D429518S

United States Patent [19]
Ferrer Beltran

[11] **Patent Number: Des. 429,518**

[45] **Date of Patent: ** Aug. 15, 2000**

[54] **VALVE**

4,964,614 10/1990 Sand et al. 251/309

[75] **Inventor: Jose María Ferrer Beltran**, Foyos, Spain

Primary Examiner—Robin V. Taylor
Attorney, Agent, or Firm—Lackebach Siegel Marzullo Aronson & Greenspan PC

[73] **Assignee: Valvulas Arco, S.A.**, Valencia, Spain

[57] **CLAIM**

[**] **Term: 14 Years**

The ornamental design for a valve, as shown and described.

[21] **Appl. No.: 29/110,812**

DESCRIPTION

[22] **Filed: Sep. 14, 1999**

FIG. 1 is a front view of my new valve design shown in open position;

[51] **LOC (7) Cl. 23-01**

FIG. 2 is a left end view thereof;

[52] **U.S. Cl. D23/233**

FIG. 3 is a right end view thereof;

[58] **Field of Search D23/233-237; 251/309, 310, 315.01, 315.1, 315.14**

FIG. 4 is a top view thereof;

FIG. 5 is a sectional view showing two valve stops for the valve knob, but with the valve shown in the open position;

[56] **References Cited**

FIG. 6 is another left end view thereof, but with the valve in the closed position;

U.S. PATENT DOCUMENTS

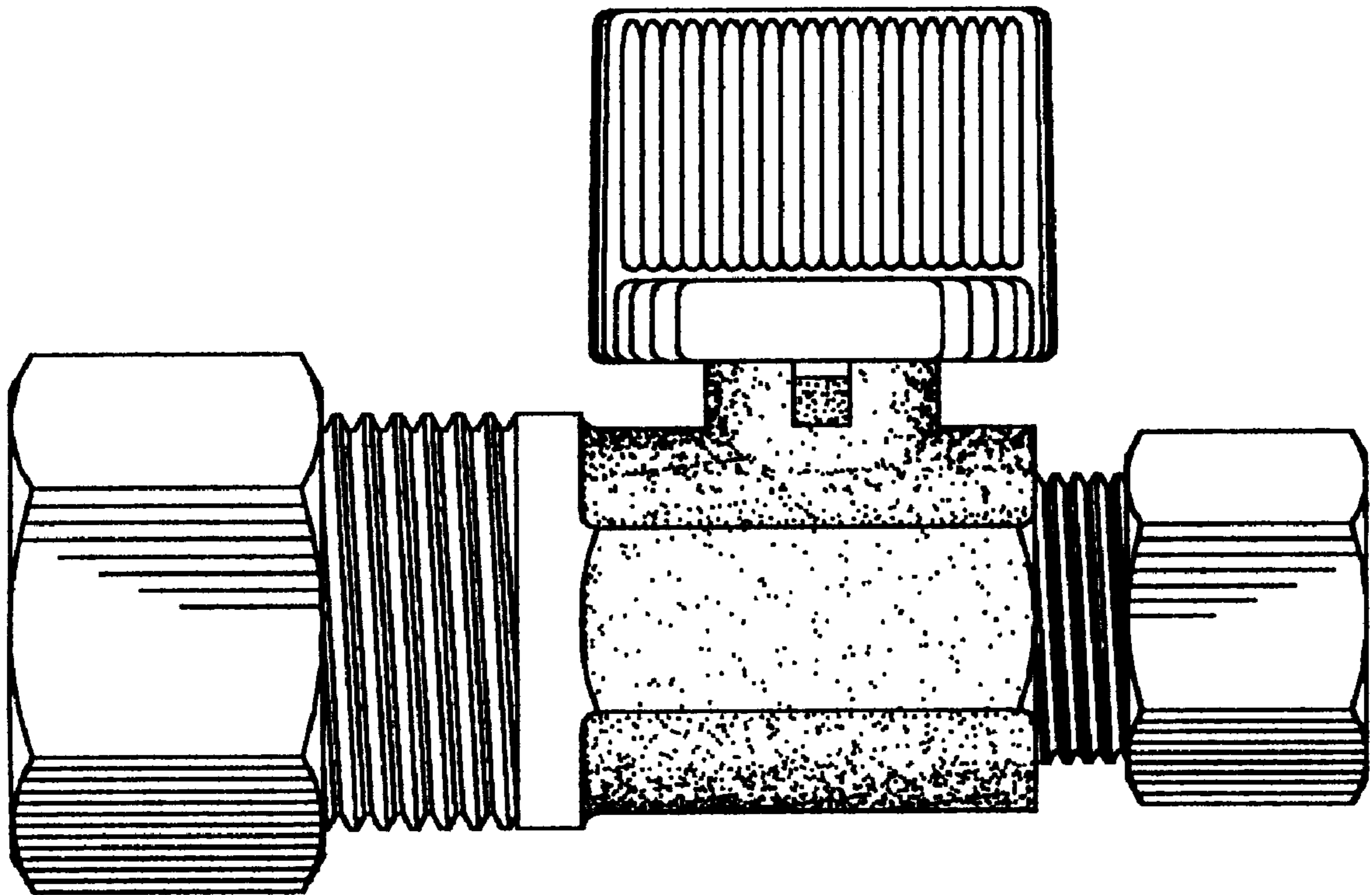
FIG. 7 is another sectional view showing the valve knob rotated 90° (closed position);

D. 359,102	6/1995	Bouc et al.	D23/233
2,606,738	8/1952	Glen	251/315.14
4,262,880	4/1981	Danko et al.	251/309
4,609,177	9/1986	Turner et al.	251/310
4,960,262	10/1990	Hashimoto et al.	251/315.1

FIG. 8 is a bottom view thereof; and,

FIG. 9 is a rear view thereof, with the valve in open position.

1 Claim, 3 Drawing Sheets



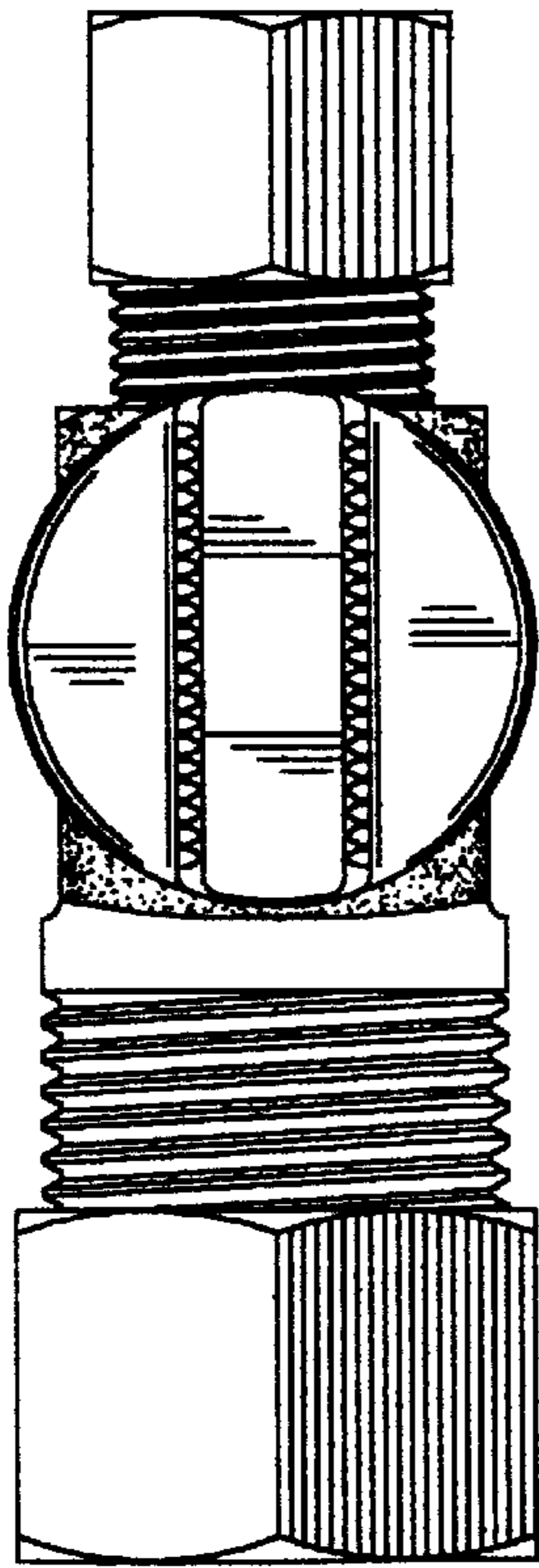


FIG. 4

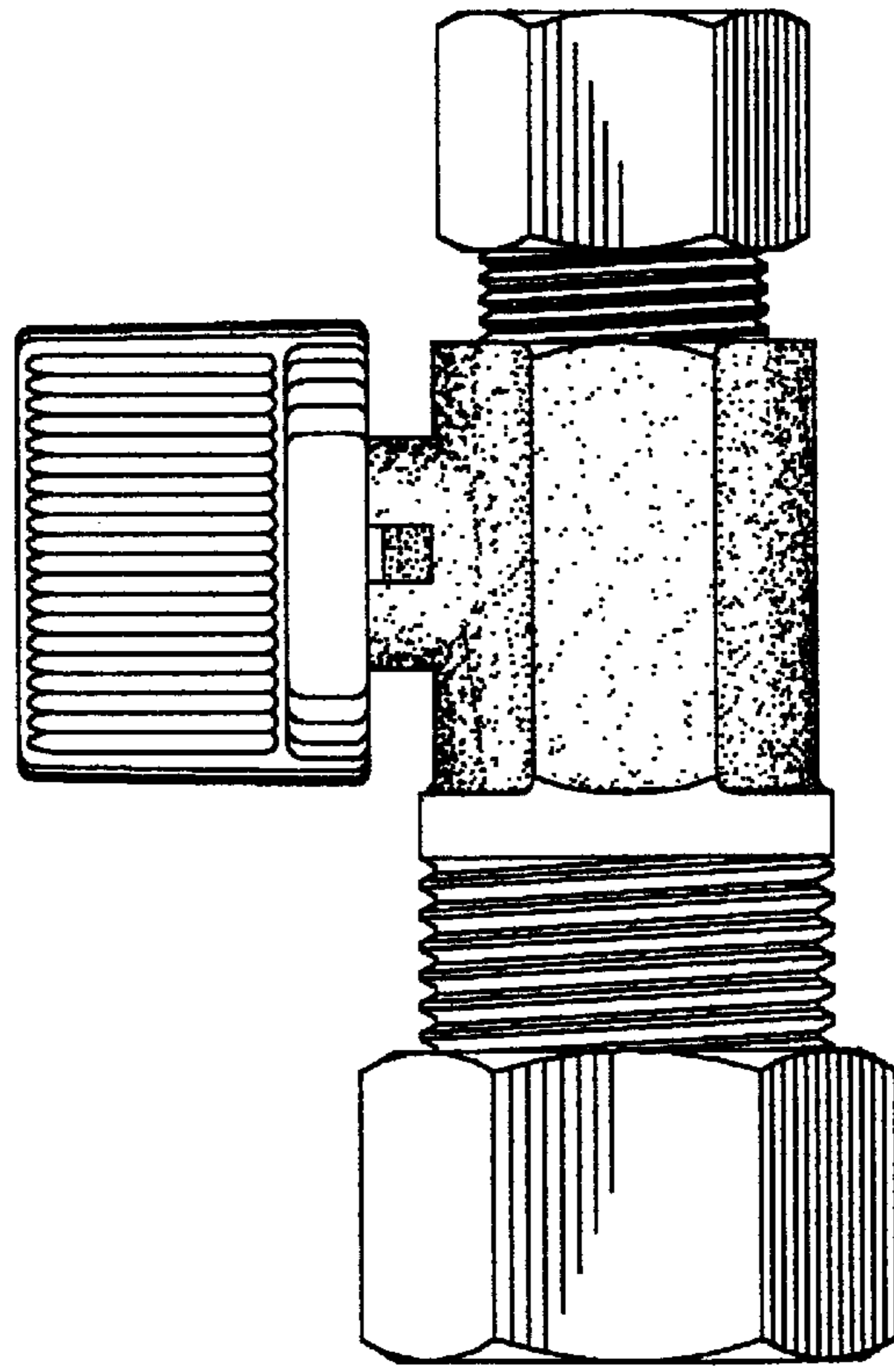


FIG. 1

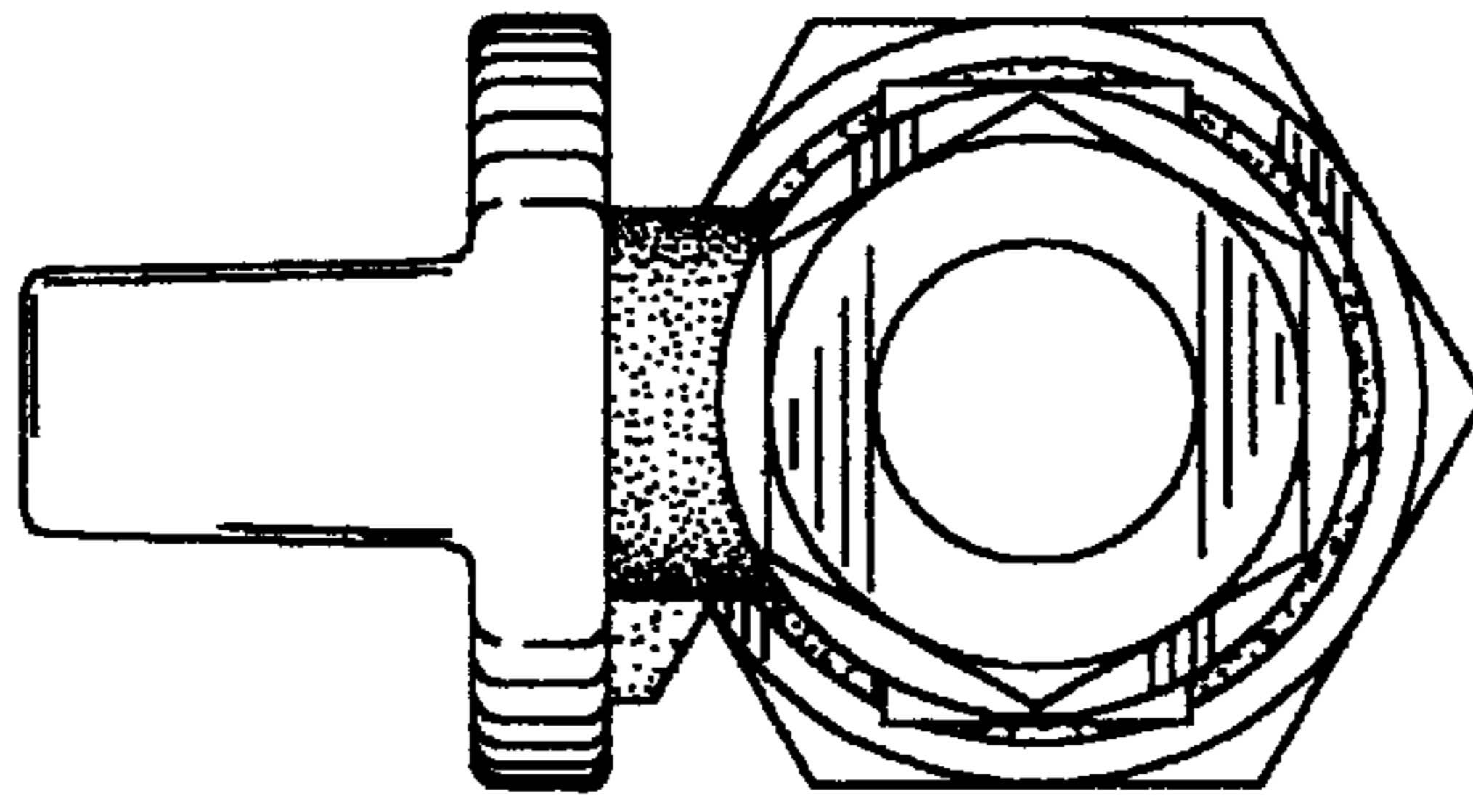


FIG. 3

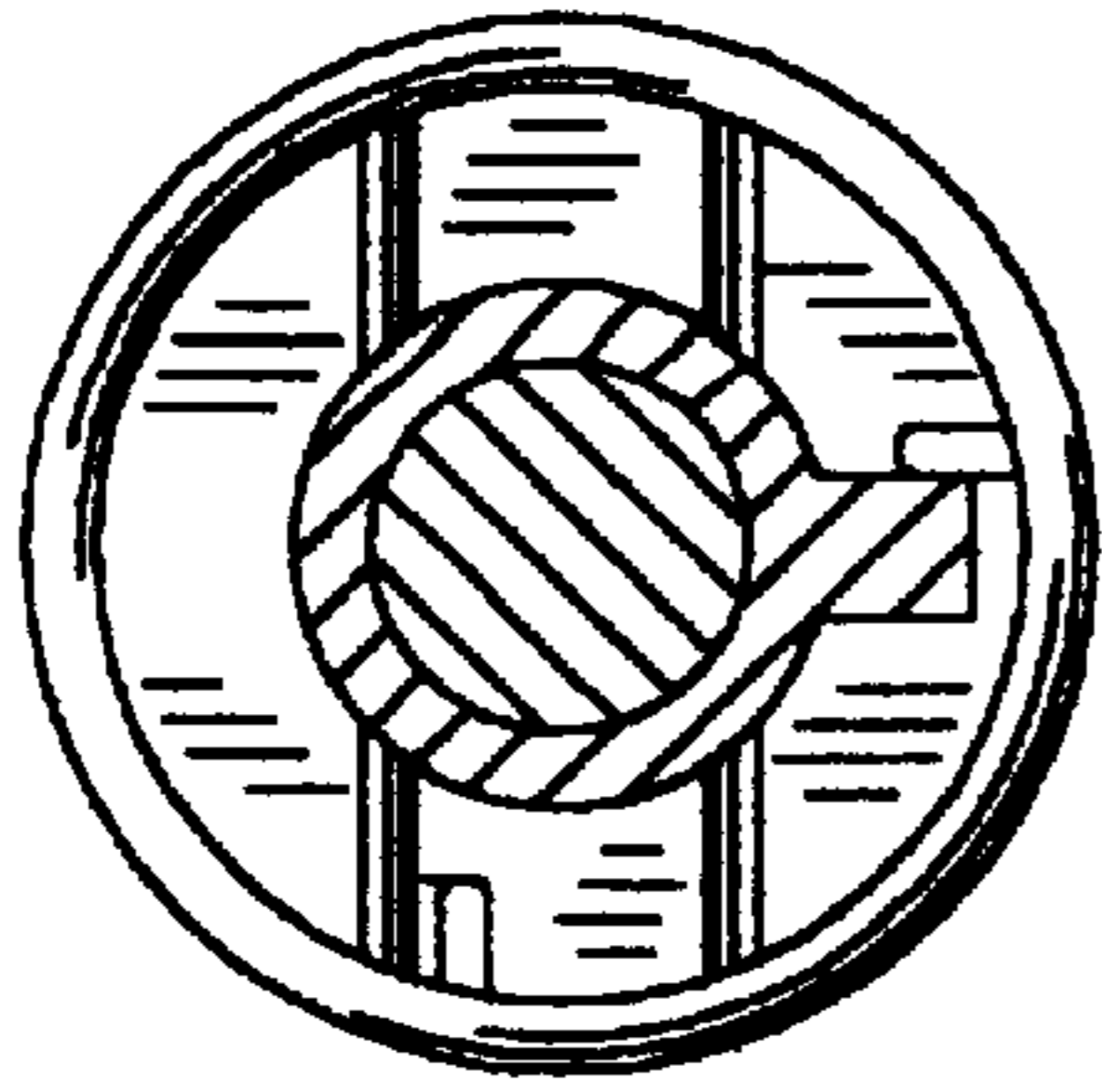


FIG. 5

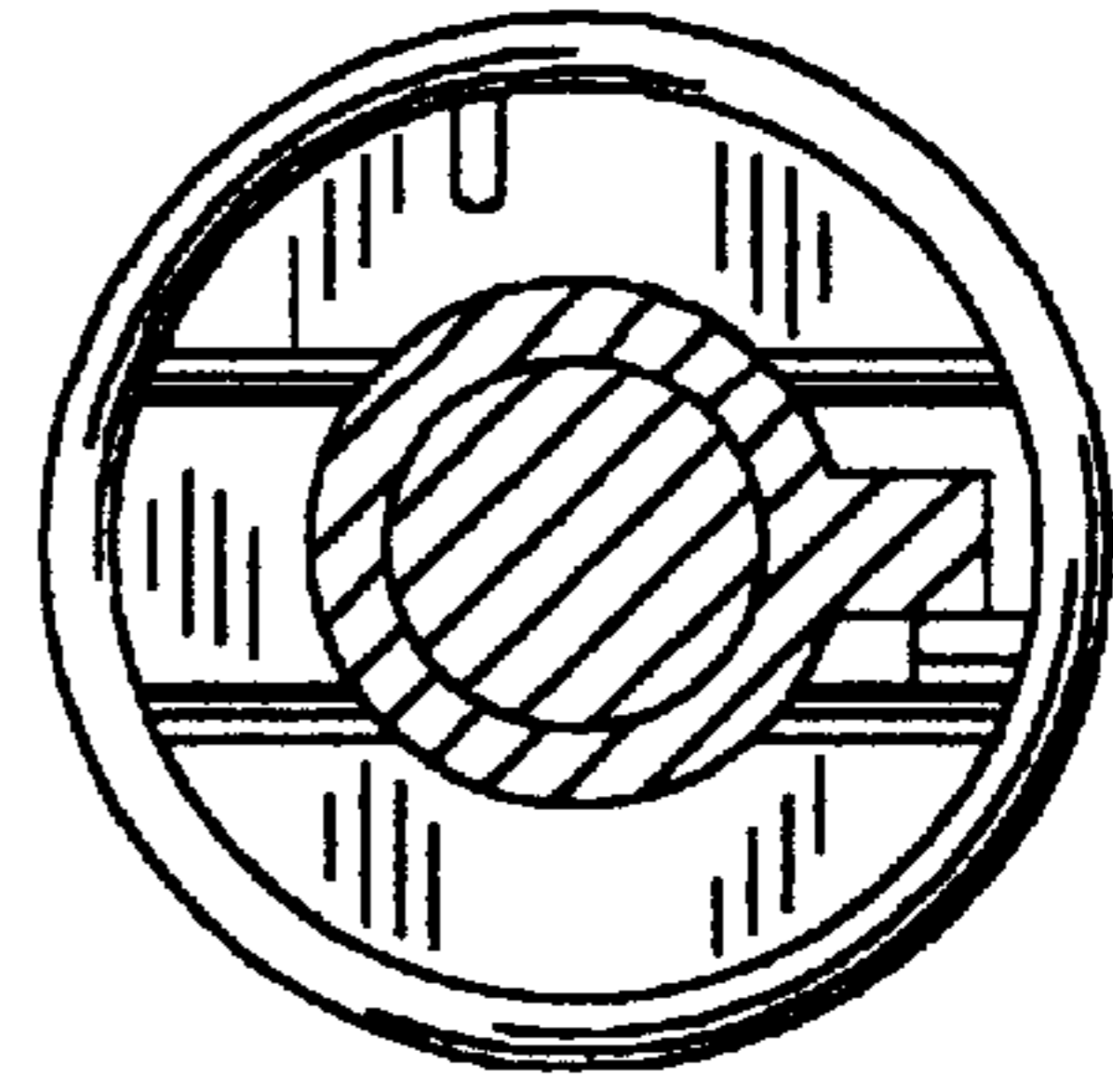


FIG. 7

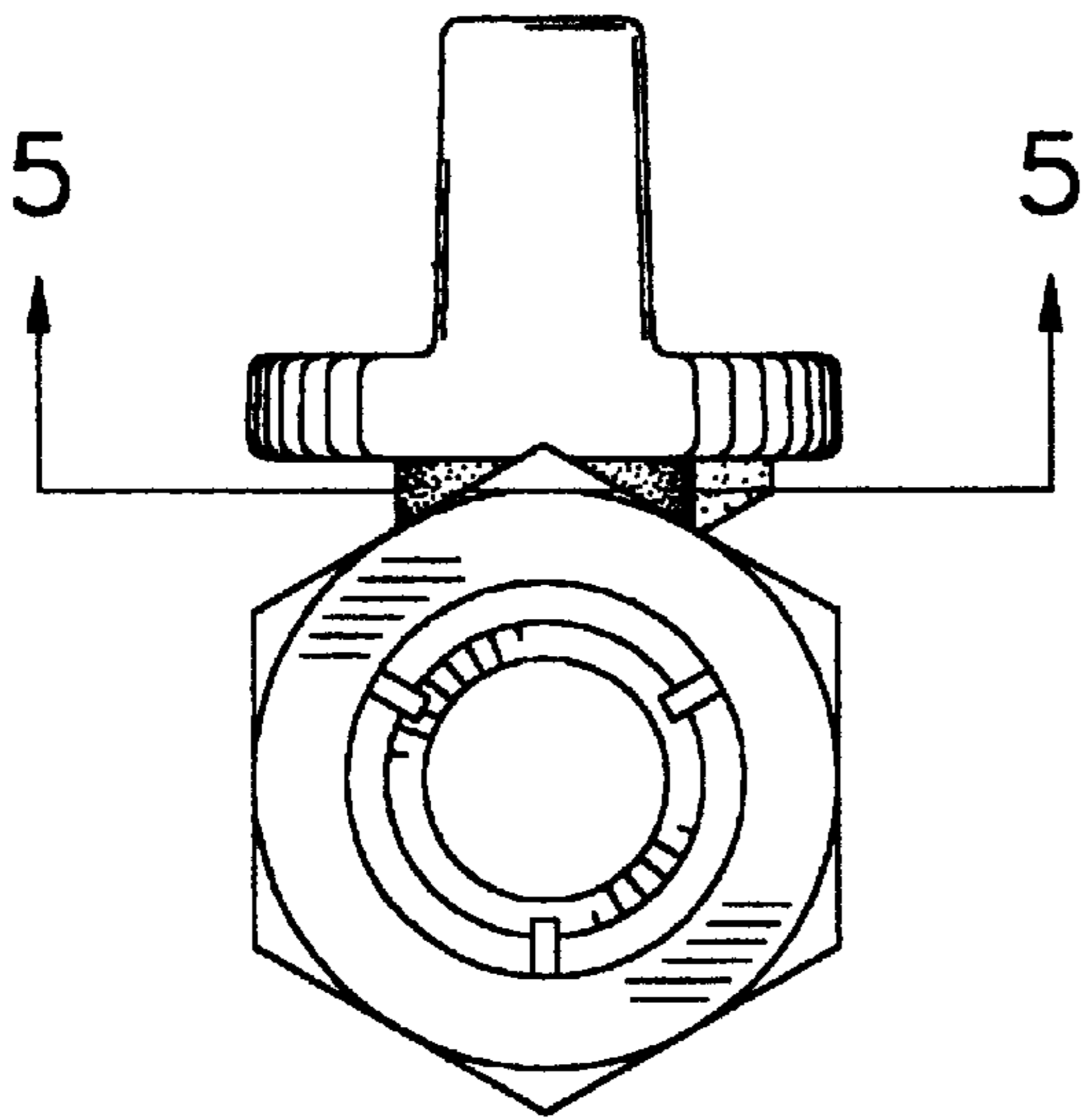


FIG. 2

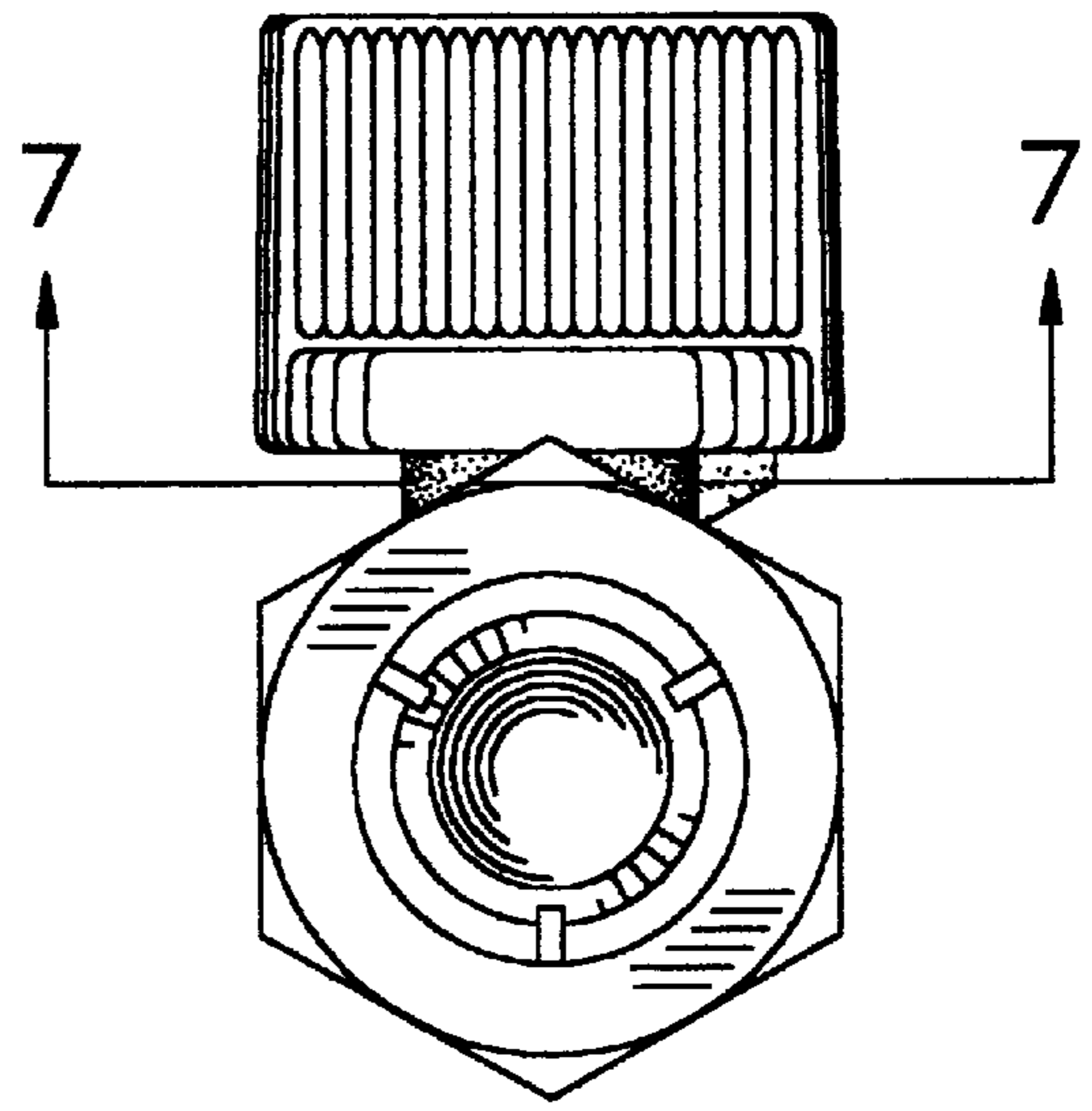


FIG. 6

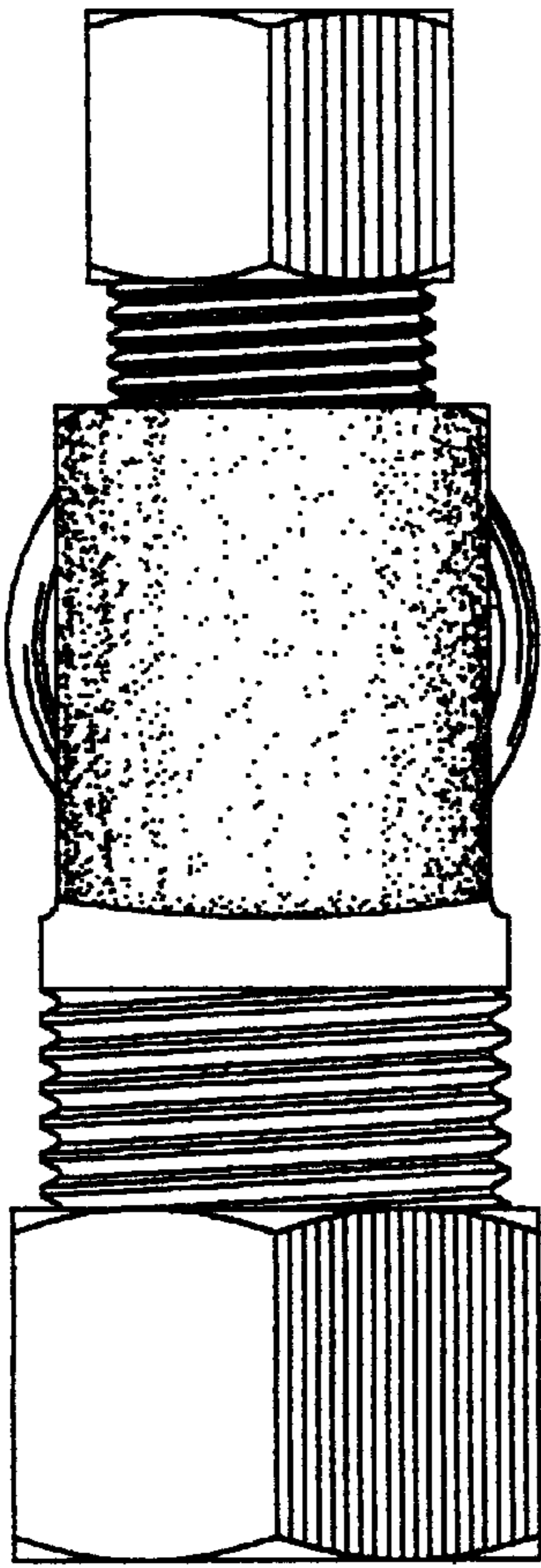


FIG. 8

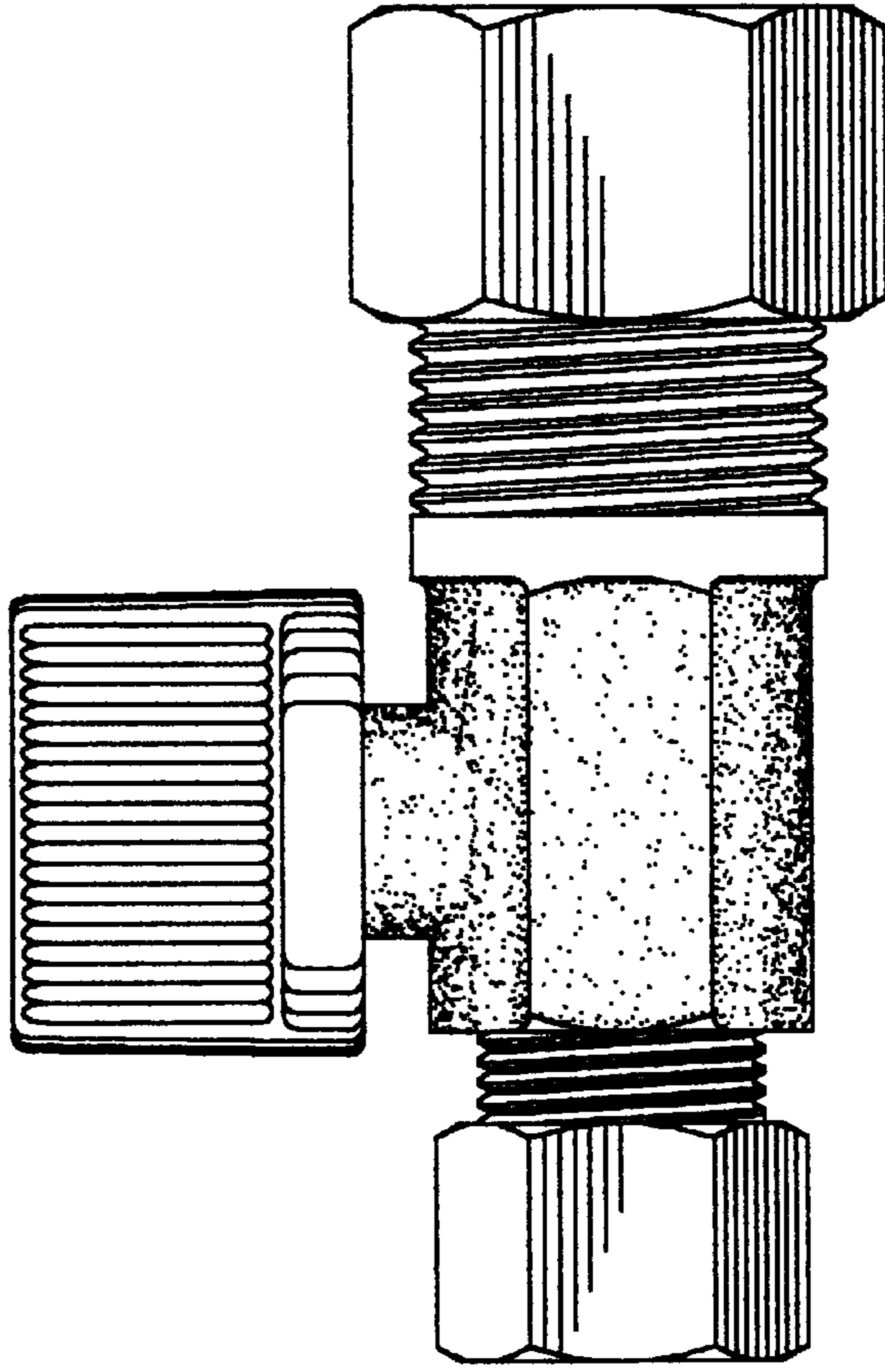


FIG. 9