



US00D429513S

United States Patent [19]

Warner

[11] **Patent Number: Des. 429,513**

[45] **Date of Patent: ** Aug. 15, 2000**

[54] **TERRAIN-GRIPPING CLEAT FOR FRONT PORTION OF BOOT FOR SNOWSHOE OR SOFT-BOOT CRAMPON**

[75] Inventor: **Charles Bently Warner**, San Francisco, Calif.

[73] Assignee: **Tubbs Snowshoe Company LLC**, Stowe, Vt.

[**] Term: **14 Years**

[21] Appl. No.: **29/102,383**

[22] Filed: **Mar. 24, 1999**

[51] **LOC (7) Cl. 21-02**

[52] **U.S. Cl. D21/771; D21/768**

[58] **Field of Search D21/760, 768, D21/769, 771, 772, 773, 774; 36/122-125**

[56] **References Cited**

U.S. PATENT DOCUMENTS

5,687,491	11/1997	Klebahn .	
5,829,173	11/1998	Svetlik et al.	36/124
5,887,362	3/1999	McKenzie	36/124
5,901,471	5/1999	Arner	36/124
5,918,387	7/1999	Emerson	36/122
5,918,388	7/1999	Emerson et al.	36/124
6,006,453	12/1999	Klebahn et al.	36/123

Primary Examiner—Kay H. Chin
Attorney, Agent, or Firm—Thomas M. Freiburger

[57] **CLAIM**

The ornamental design for a terrain-gripping cleat for front portion of boot for snowshoe or soft-boot crampon, as shown and described.

DESCRIPTION

FIG. 1 is an upper perspective view showing a terrain-gripping cleat for front portion of boot for snowshoe or soft-boot crampon showing my new design; FIG. 2 is a bottom perspective view thereof; FIG. 3 is a front elevation view thereof; FIG. 4 is a rear elevation view thereof; FIG. 5 is a left side elevation view thereof, the right side elevation being a mirror image thereof; FIG. 6 is a top plan view thereof; FIG. 7 is a bottom plan view thereof; FIG. 8 is an upper perspective view of a second embodiment of the terrain-gripping cleat for front portion of boot for snowshoe or soft-boot crampon; FIG. 9 is a bottom perspective view thereof; FIG. 10 is a front elevation view thereof; FIG. 11 is a rear elevation view thereof; FIG. 12 is a left side elevation view thereof, the right side elevation being a mirror image thereof; FIG. 13 is a top plan view thereof; and, FIG. 14 is a bottom plan view thereof.

1 Claim, 4 Drawing Sheets

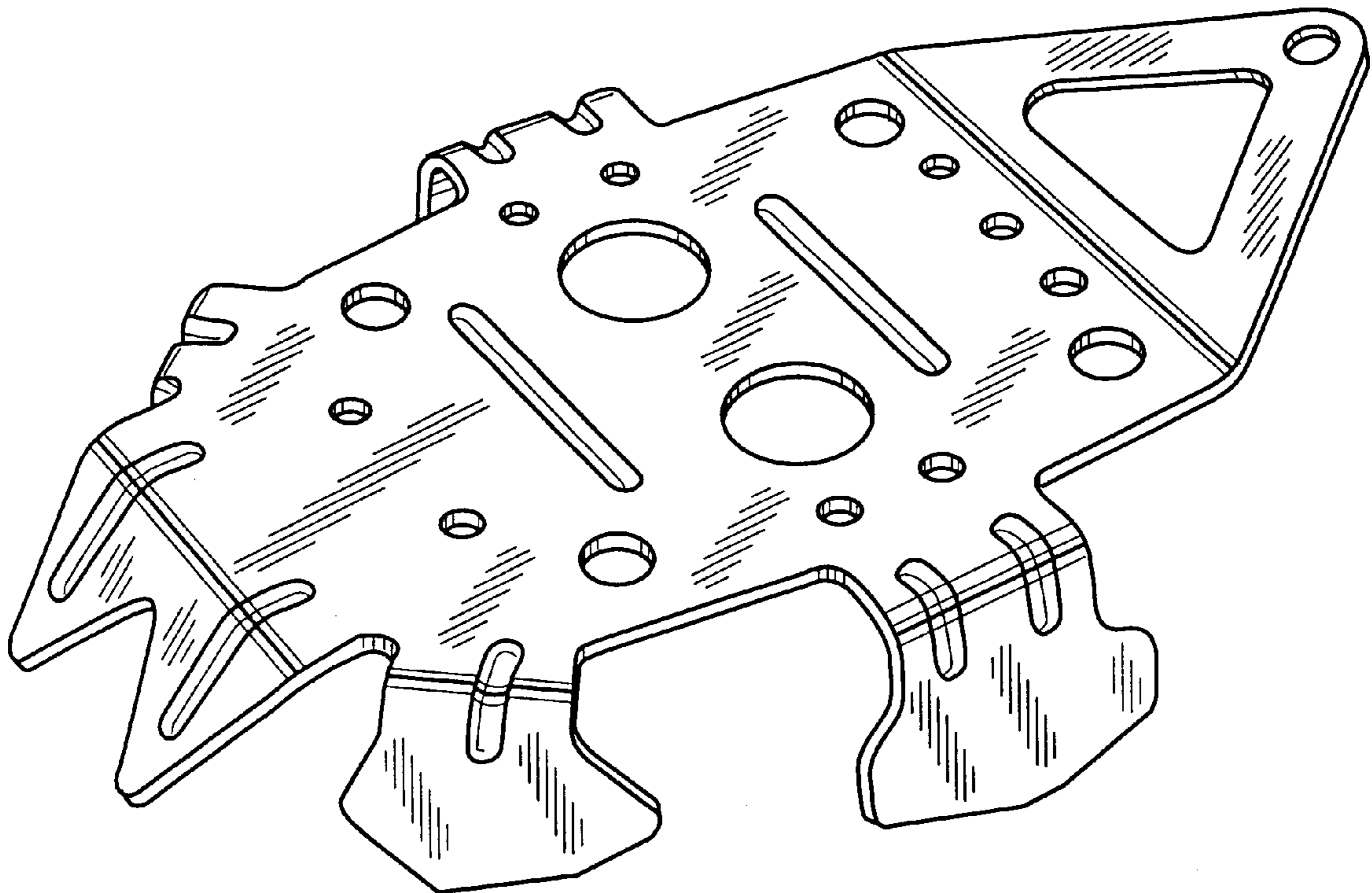


FIG. 1

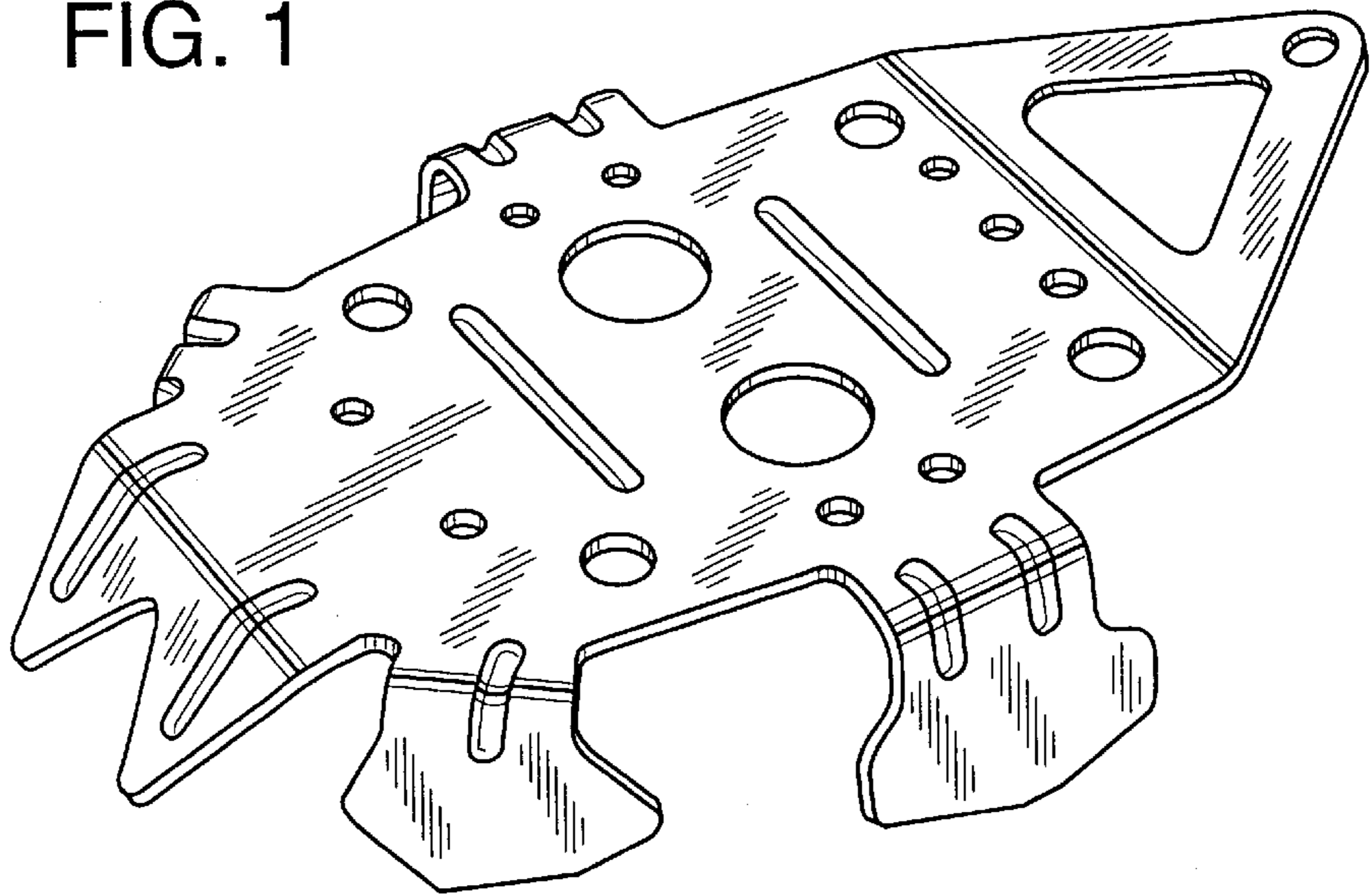


FIG. 2

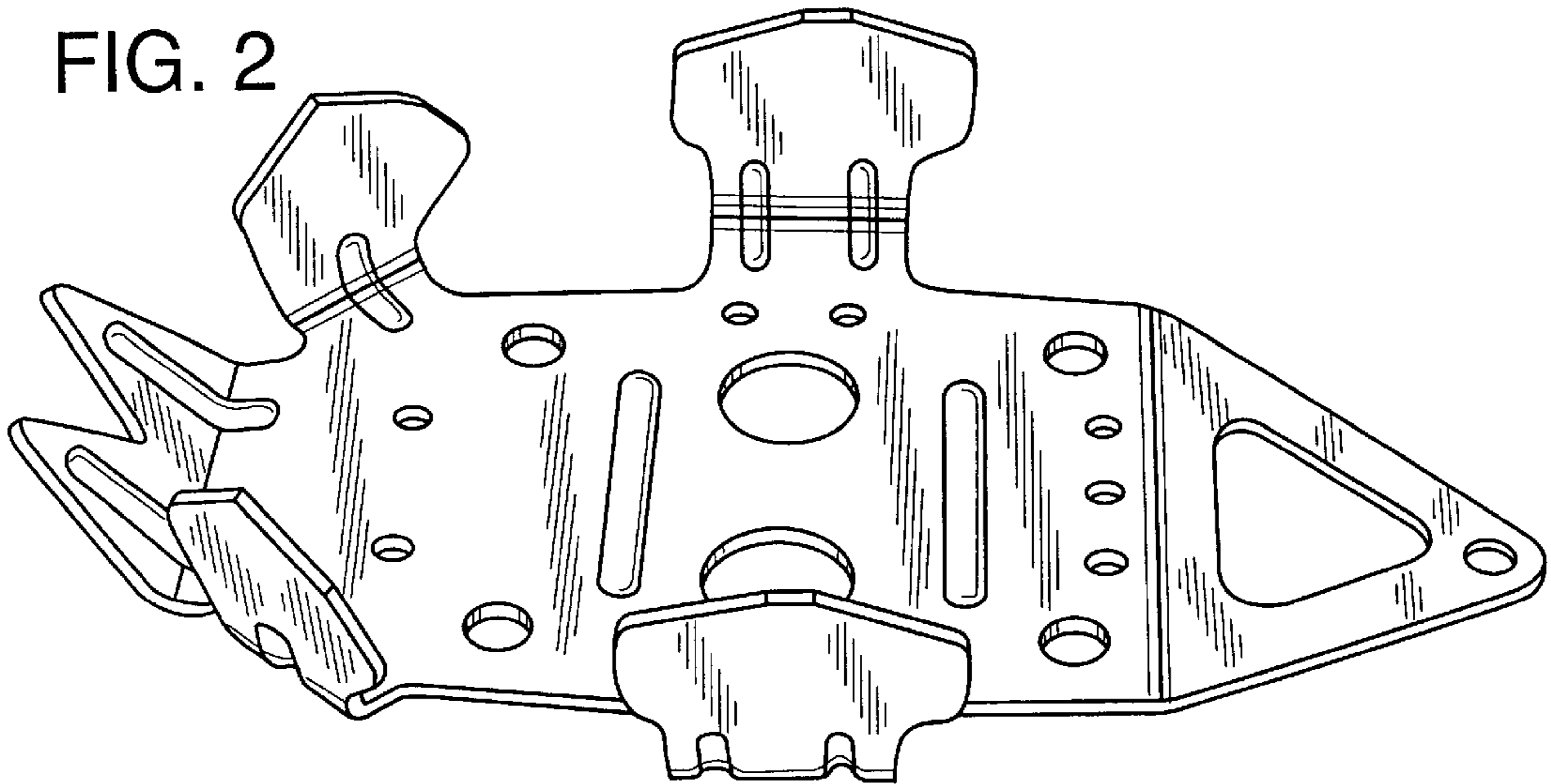


FIG. 3

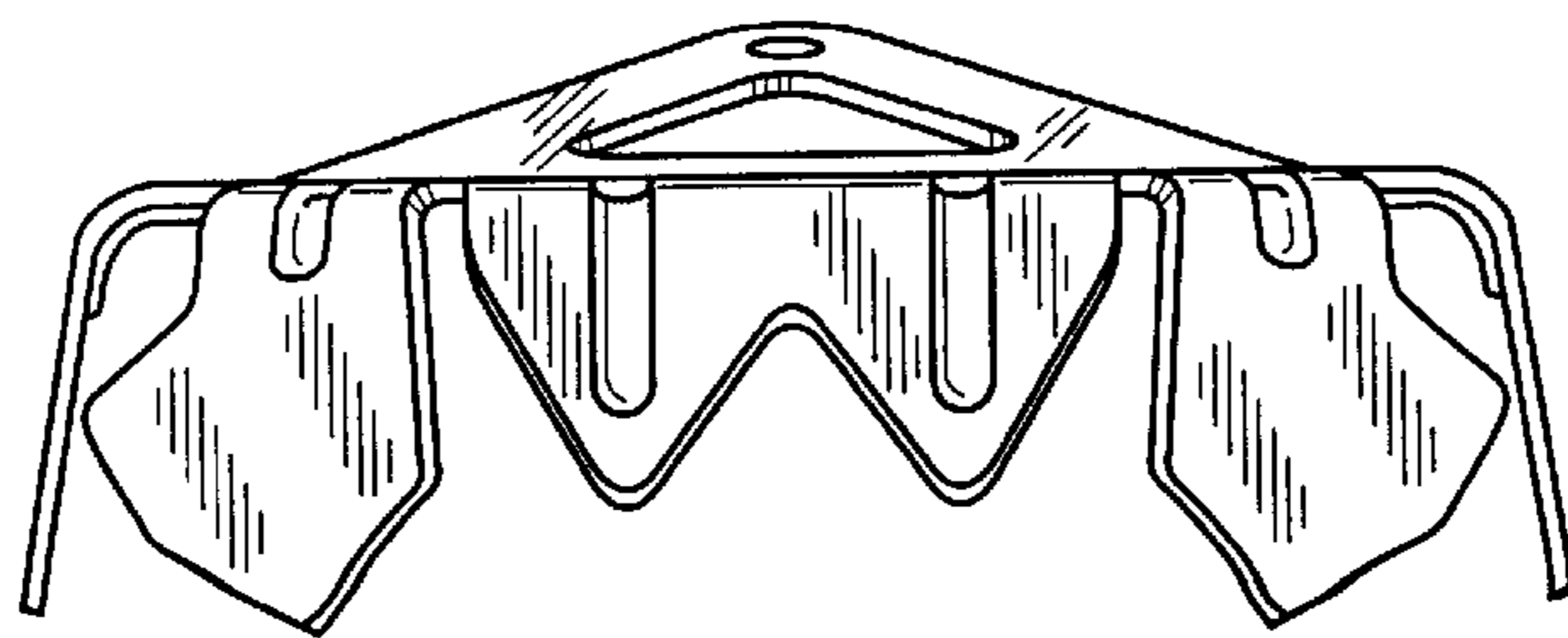


FIG. 4

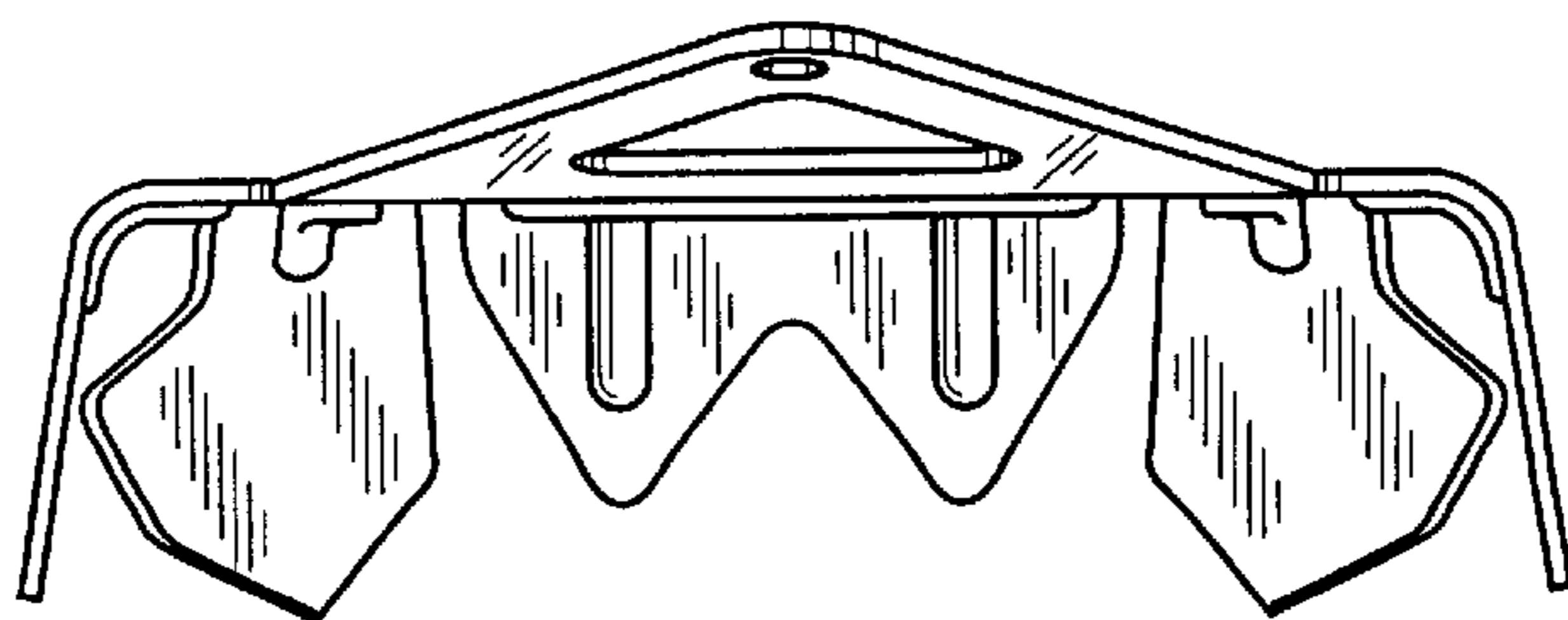


FIG. 5

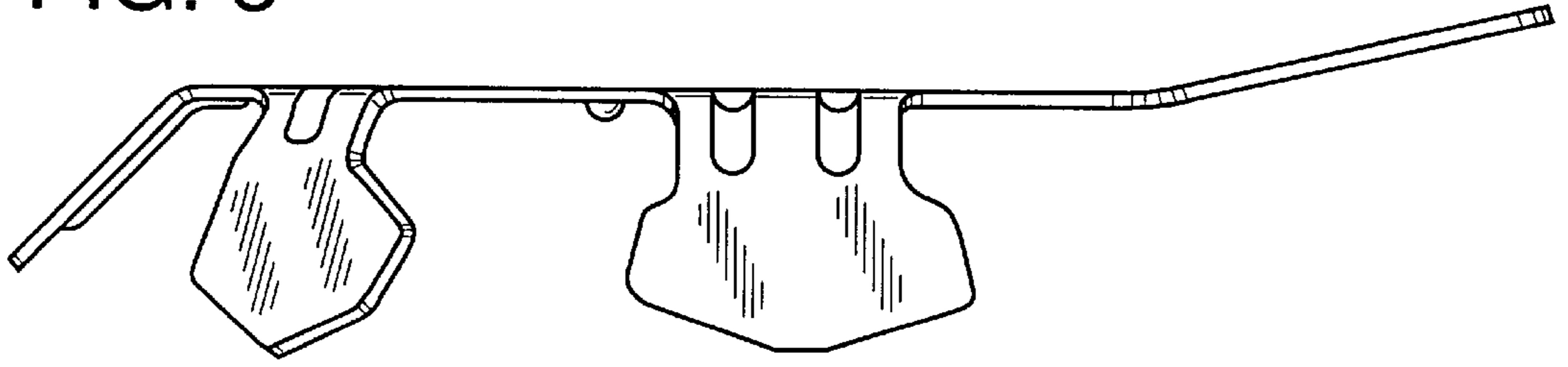


FIG. 6

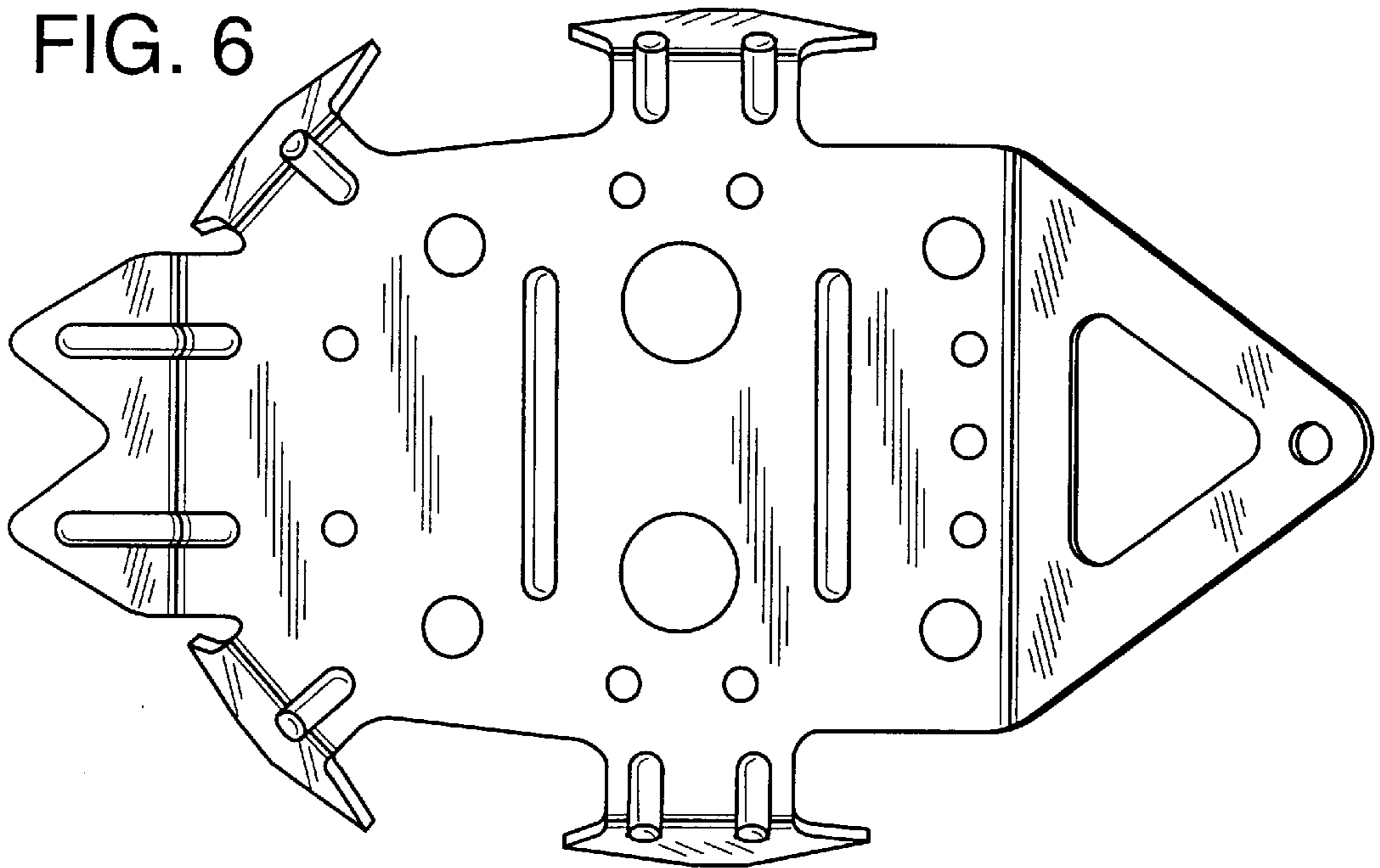


FIG. 7

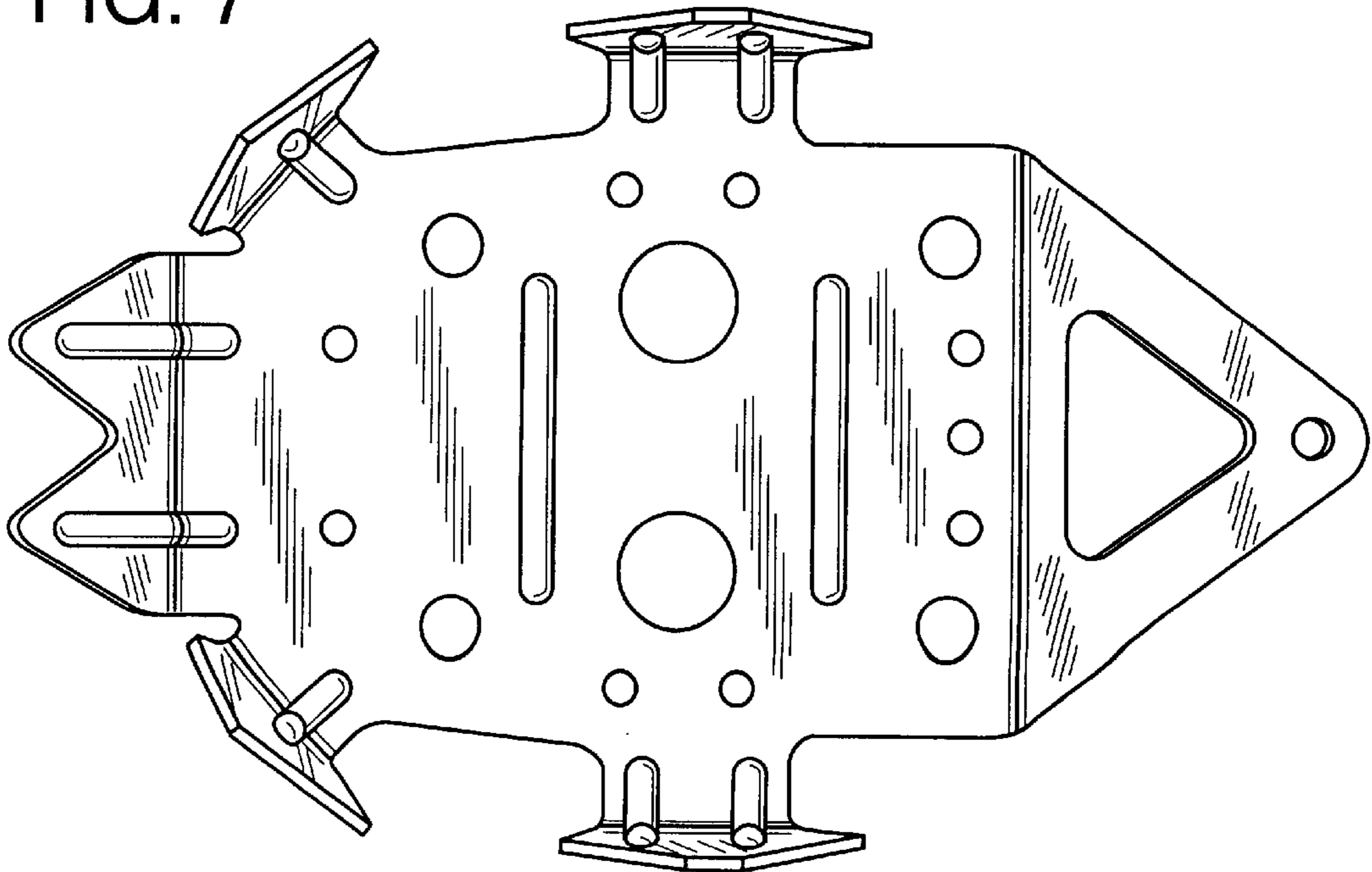


FIG. 8

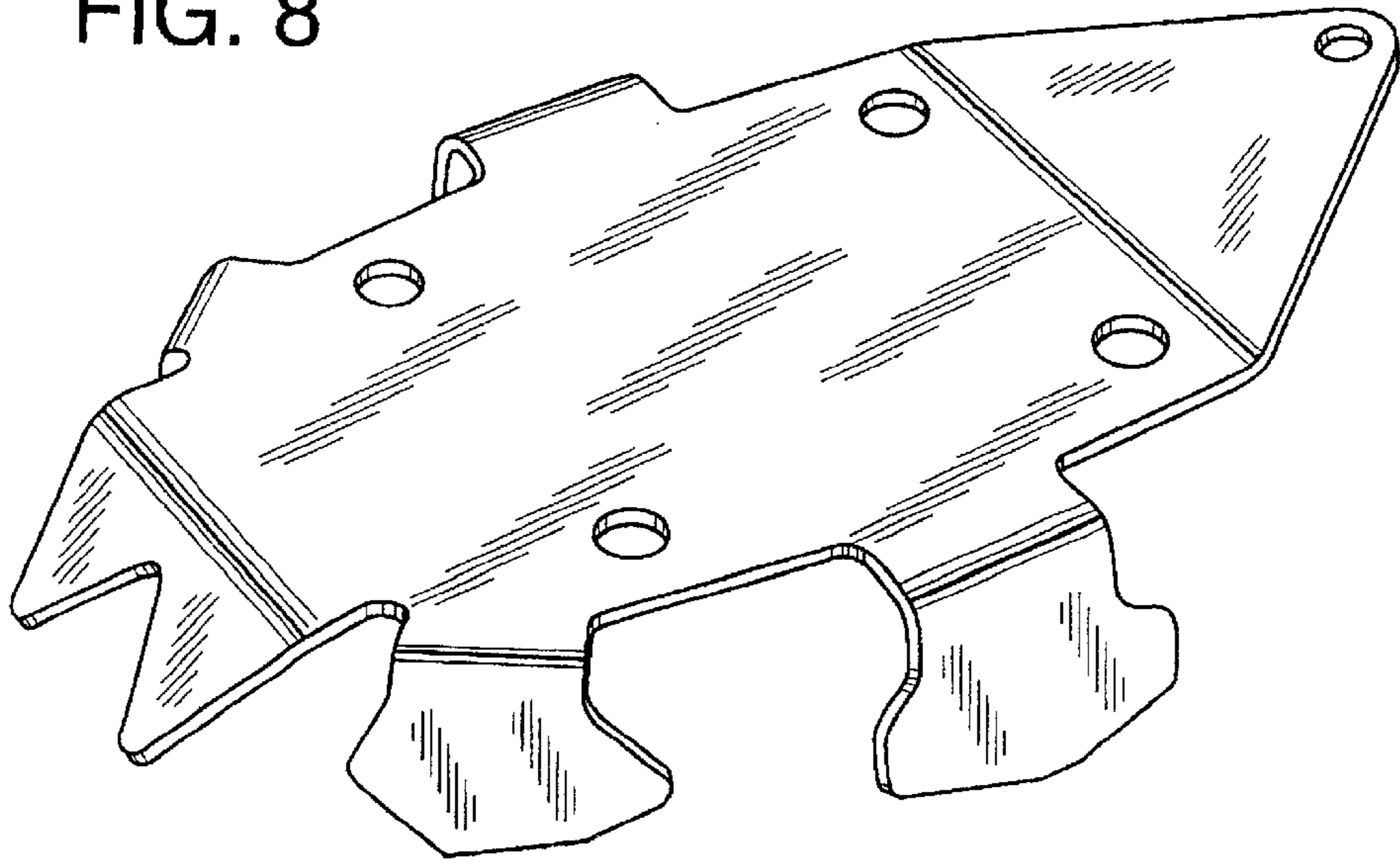


FIG. 9

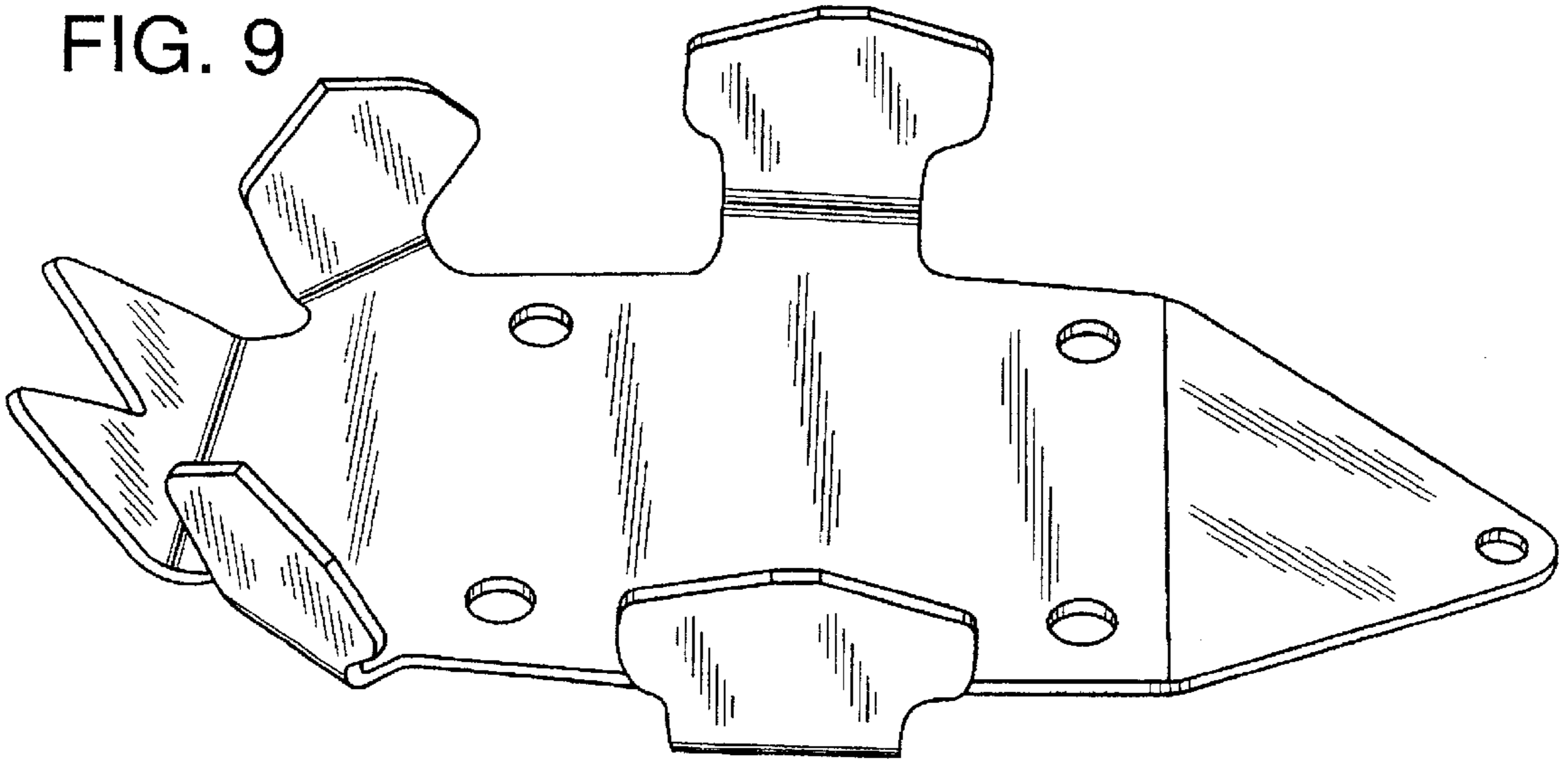


FIG. 10

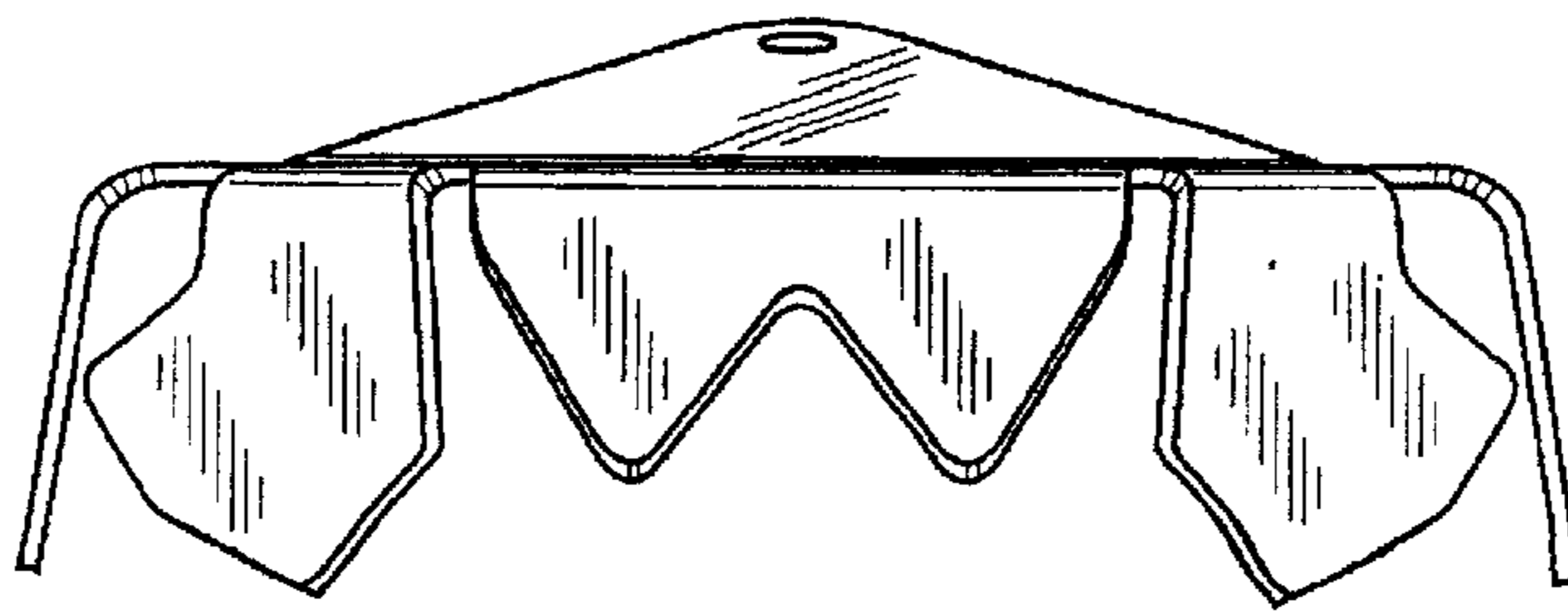


FIG. 11

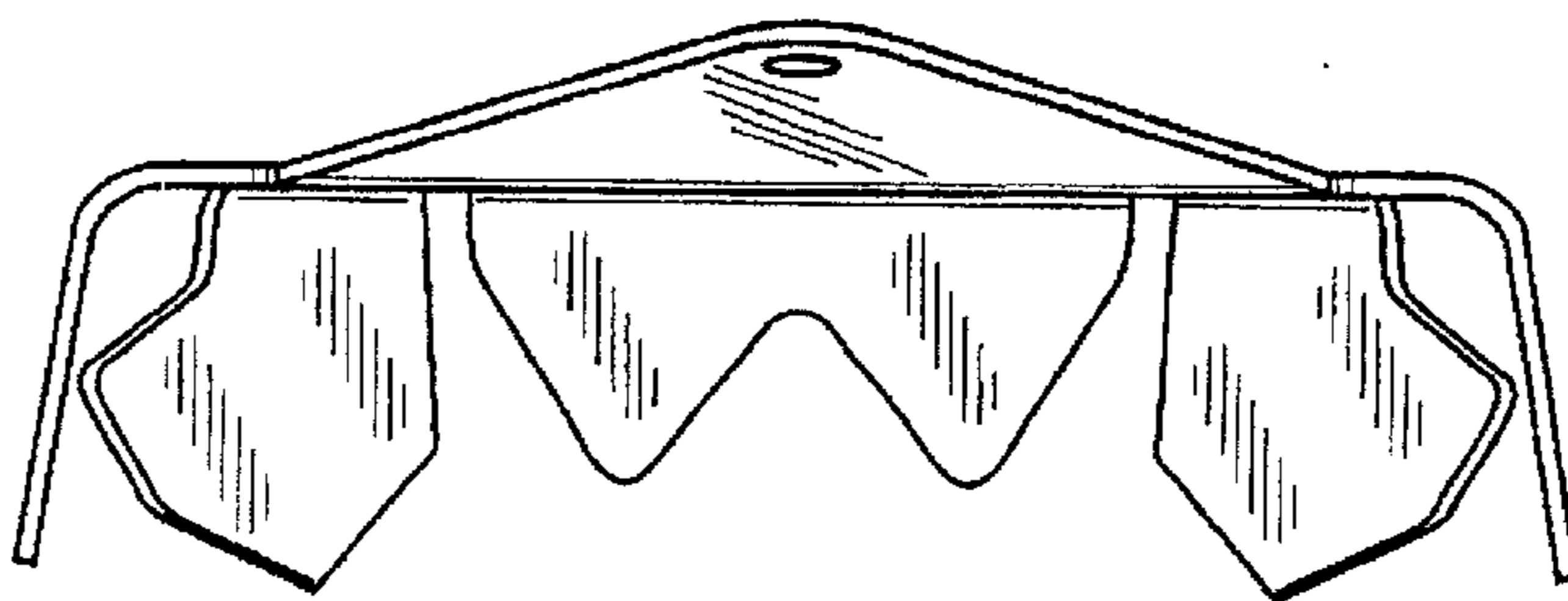


FIG. 12

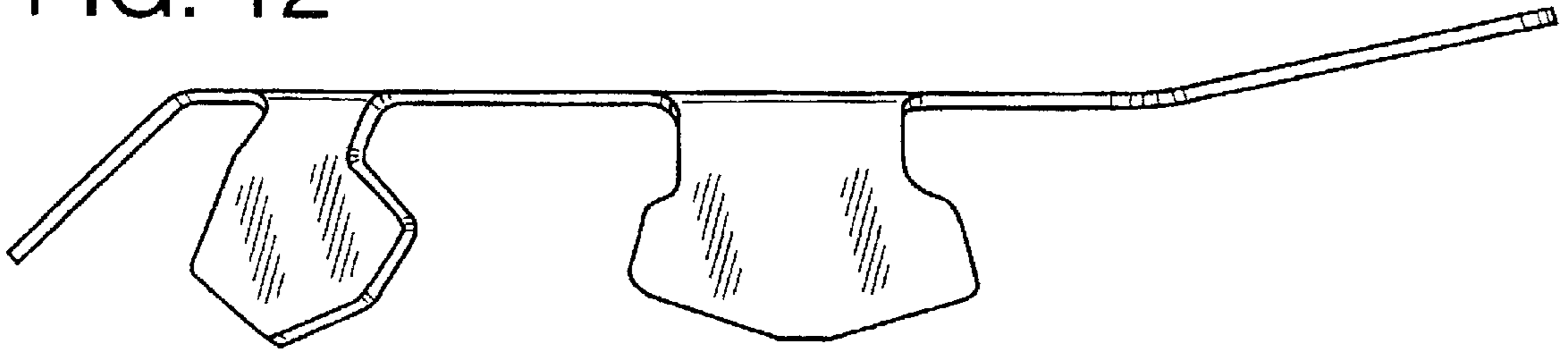


FIG. 13

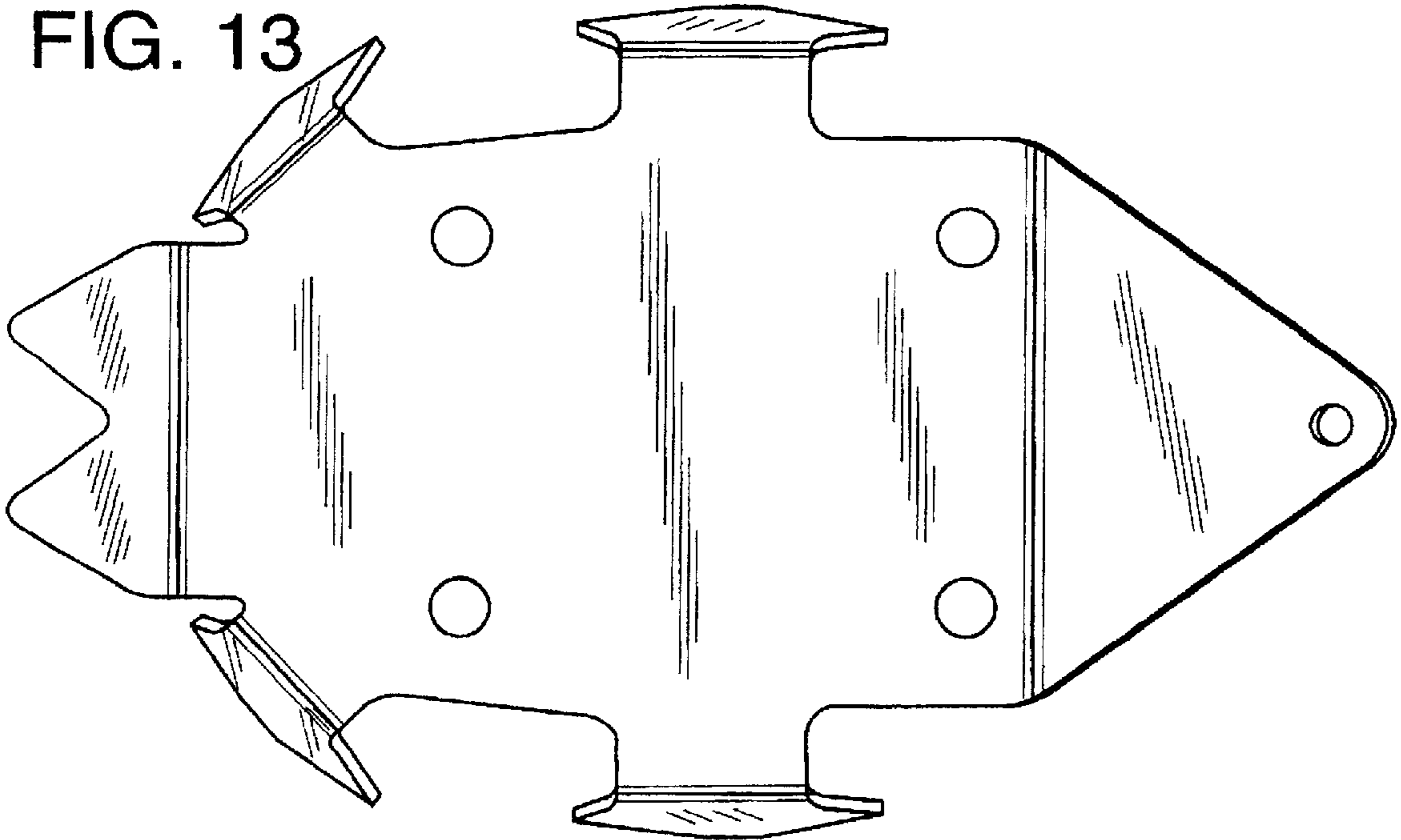


FIG. 14

