



US00D429512S

United States Patent [19]

Cleveland et al.

[11] Patent Number: **Des. 429,512**

[45] Date of Patent: **** Aug. 15, 2000**

[54] **BACK SURFACE FOR AN IRON GOLF CLUB HEAD**

[75] Inventors: **Roger C. Cleveland**, Los Angeles; **Karl A. Clausen**, San Marcos; **Thomas R. Hilton**, Cardiff; **Richard C. Helmstetter**, Rancho Santa Fe; **Larry Tang**, Carlsbad, all of Calif.

[73] Assignee: **Callaway Golf Company**, Carlsbad, Calif.

[**] Term: **14 Years**

[21] Appl. No.: **29/112,935**

[22] Filed: **Oct. 26, 1999**

[51] **LOC (7) Cl.** **21-02**

[52] **U.S. Cl.** **D21/759**

[58] **Field of Search** D21/747-751, D21/753, 759; 473/324, 350

[56] **References Cited**

U.S. PATENT DOCUMENTS

- D. 347,254 5/1994 Inuma .
- D. 353,644 12/1994 Hirsch et al. .
- D. 354,786 1/1995 Manning et al. .
- D. 364,206 11/1995 Schmidt et al. D21/747
- D. 366,082 1/1996 Dekura .

- D. 406,296 3/1999 Rollinson et al. D21/753
- D. 406,869 3/1999 Rollinson et al. D21/753
- D. 410,719 6/1999 Rollinson et al. D21/753
- D. 418,887 1/2000 Williams, Jr. D21/749
- 5,120,062 6/1992 Scheie et al. .
- 5,333,872 8/1994 Manning et al. .
- 5,375,840 12/1994 Hirsch et al. .
- 5,423,546 6/1995 Manning et al. .
- 5,497,995 3/1996 Swisshelm .
- 5,547,194 8/1996 Aizawa et al. .
- 5,595,552 1/1997 Wright et al. .
- 5,749,795 5/1998 Schmidt et al. 473/350
- 5,971,868 10/1999 Kosmatka 473/324

Primary Examiner—Mitchell Siegel
Attorney, Agent, or Firm—Michael A. Catania

[57] **CLAIM**

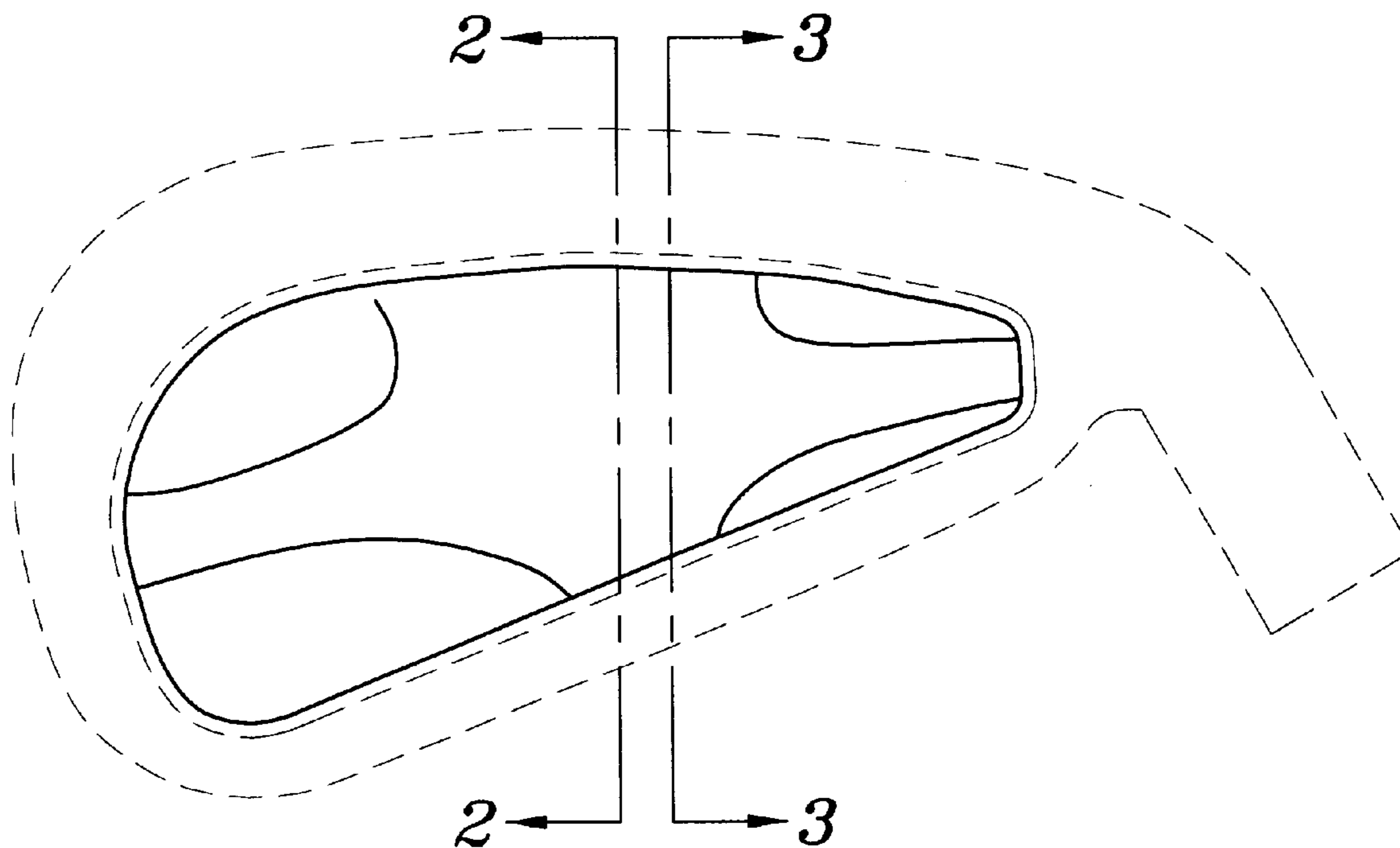
The ornamental design for a back surface of an iron golf club head, as shown and described.

DESCRIPTION

FIG. 1 is an elevational view of the back surface of an iron golf club head, the broken line showing of the golf club head is for illustrative purposes only and forms no part of the claimed design;

FIG. 2 is a cross section taken on line 2—2 of FIG. 1; and, FIG. 3 is a cross section taken on line 3—3 of FIG. 1.

1 Claim, 1 Drawing Sheet



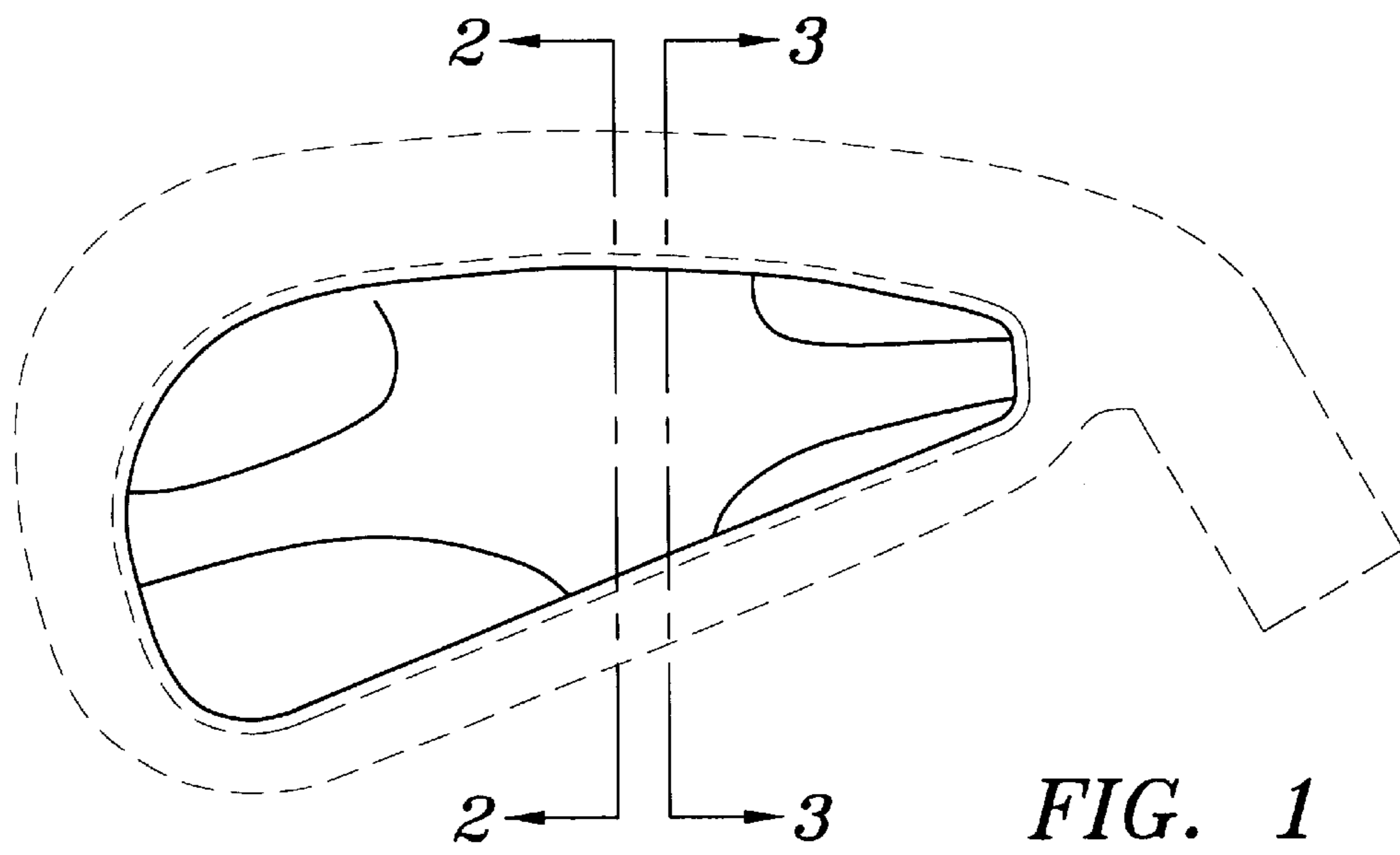


FIG. 1

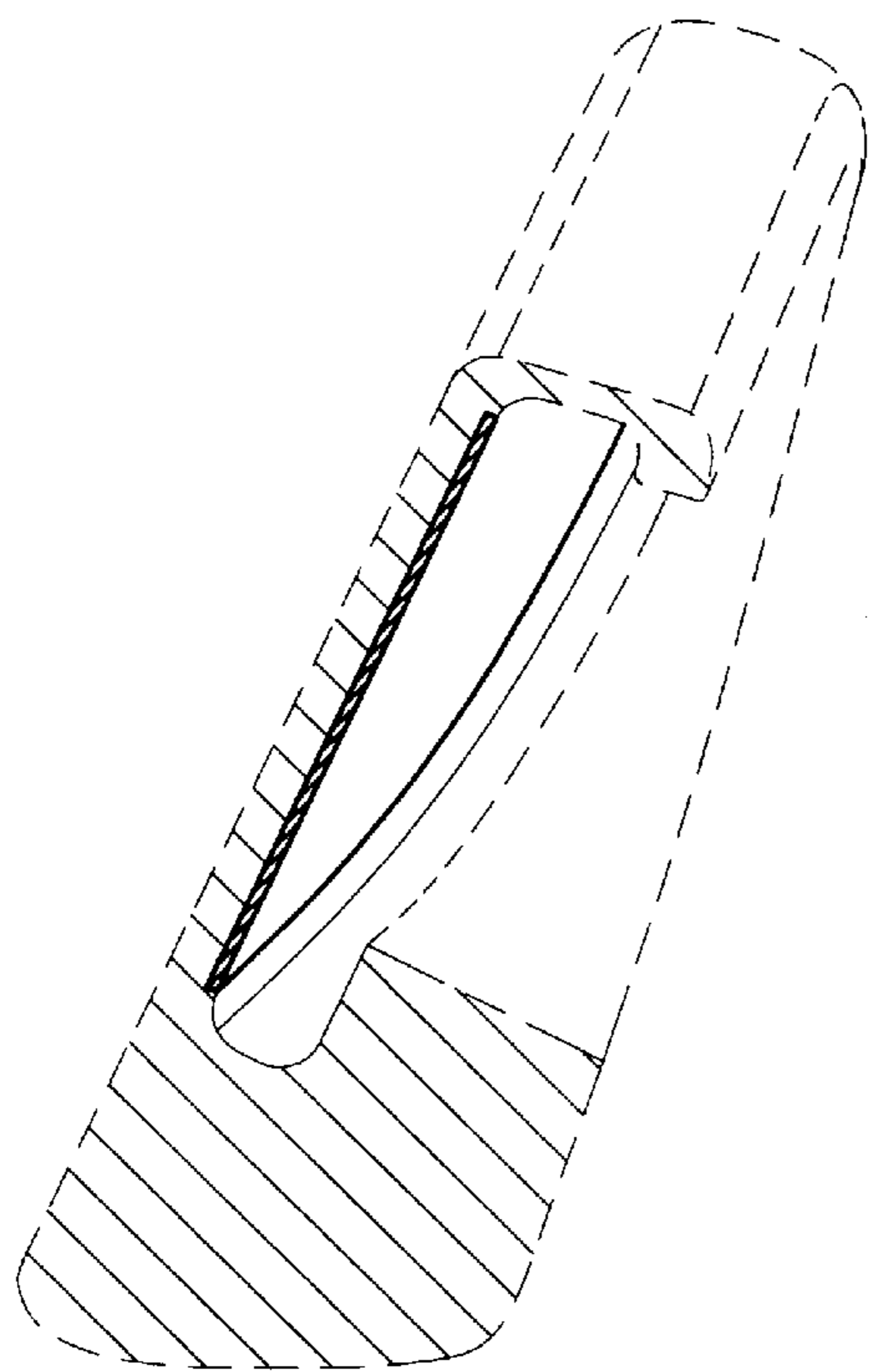


FIG. 2

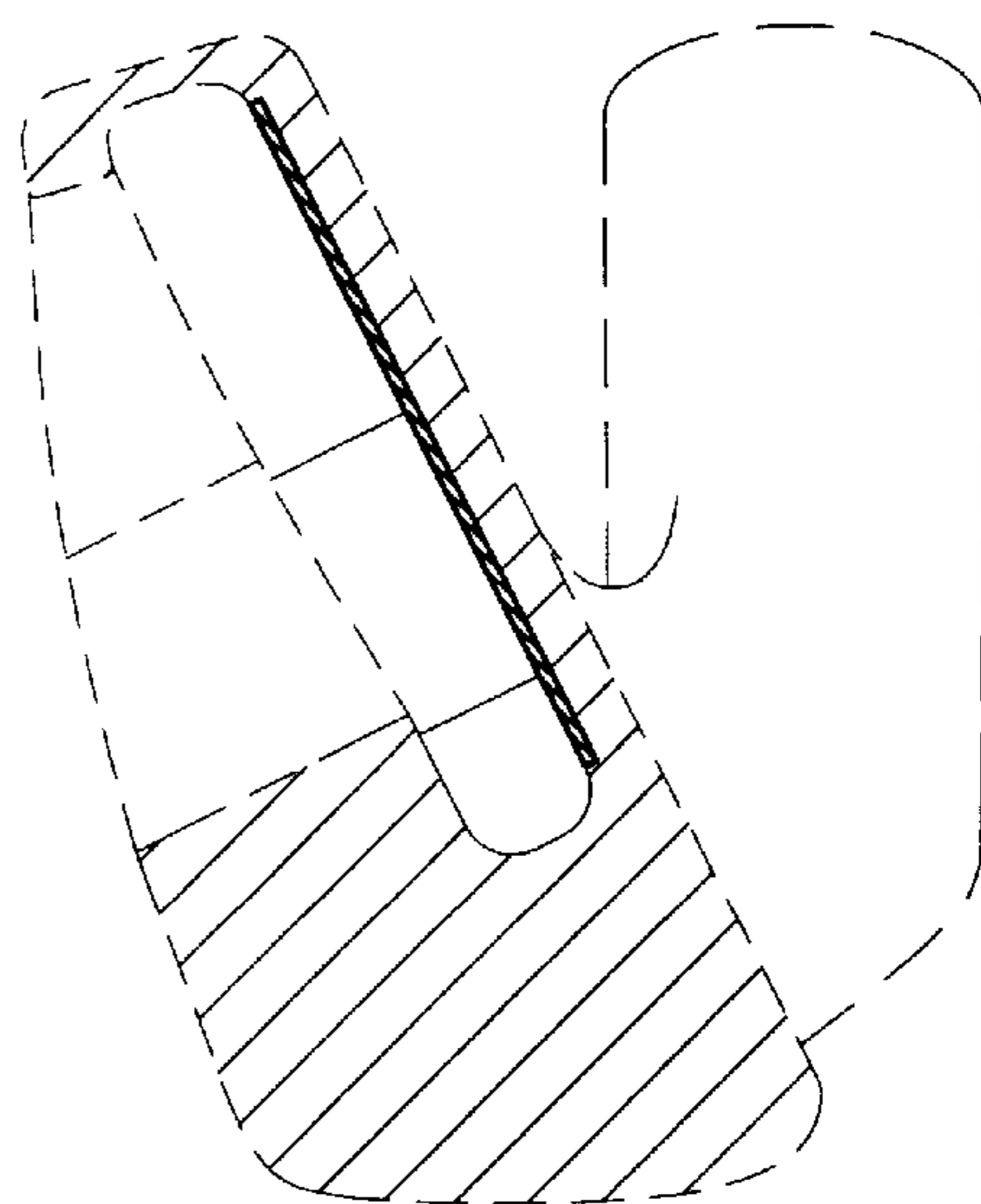


FIG. 3