



US00D429499S

# United States Patent [19]

Mershon

[11] Patent Number: Des. 429,499

[45] Date of Patent: \*\* Aug. 15, 2000

[54] **BOOKMARK WITH ATTACHED FOLD-OUT PEN**

[76] Inventor: **Randolph J. Mershon**, 300 Winston Dr., Cliffside Park, N.J. 07010

[\*\*] Term: **14 Years**

[21] Appl. No.: **29/117,829**

[22] Filed: **Jan. 31, 2000**

[51] **LOC (7) Cl.** ..... **19-06**

[52] **U.S. Cl.** ..... **D19/36; D19/34; D19/86; D19/49; D19/65**

[58] **Field of Search** ..... D8/394, 395; D19/34, D19/36, 65, 86, 81-85, 90, 91; 281/15.1, 42, 45, 51; 116/234-236, 237, 238, 239, 240; 24/455, 547, 563; 401/195, 52, 6, 7

[56] **References Cited**

**U.S. PATENT DOCUMENTS**

D. 288,824	3/1987	Ijiri	.....	D19/46
D. 309,473	7/1990	Toy	.....	D19/34
D. 310,449	9/1990	Agrippino	.....	D3/208
866,141	9/1907	Kay, Jr.	.....	24/547

1,974,667	9/1934	Solinger	.....	401/195
2,335,903	12/1943	Beckett	.....	24/563
4,706,995	11/1987	Dopp	.....	281/42
5,678,939	10/1997	Ross	.....	401/6
6,006,593	12/1999	Yamanaka	.....	73/105

*Primary Examiner*—Martie K. Holtje  
*Attorney, Agent, or Firm*—Cesari and McKenna, LLP

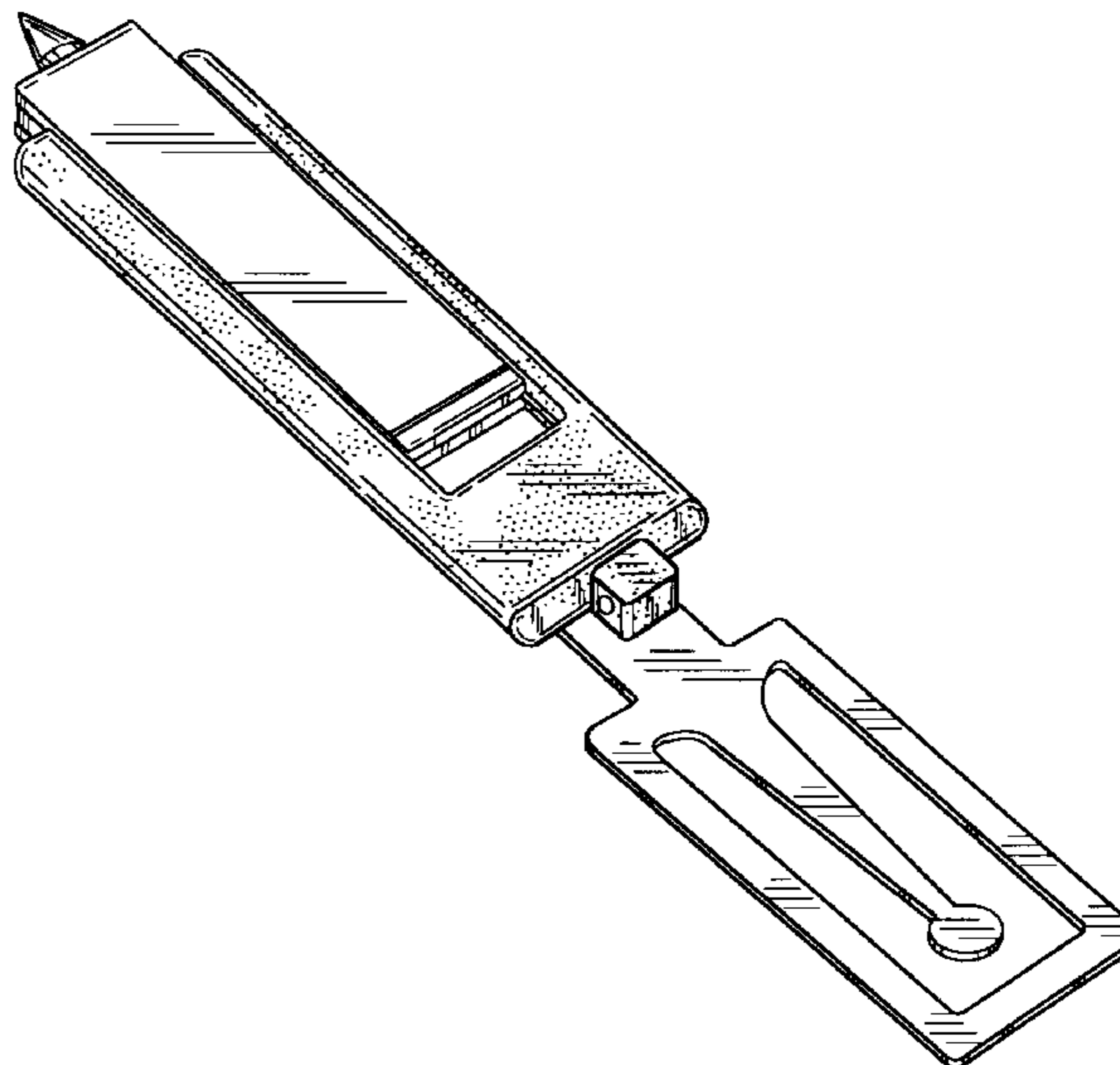
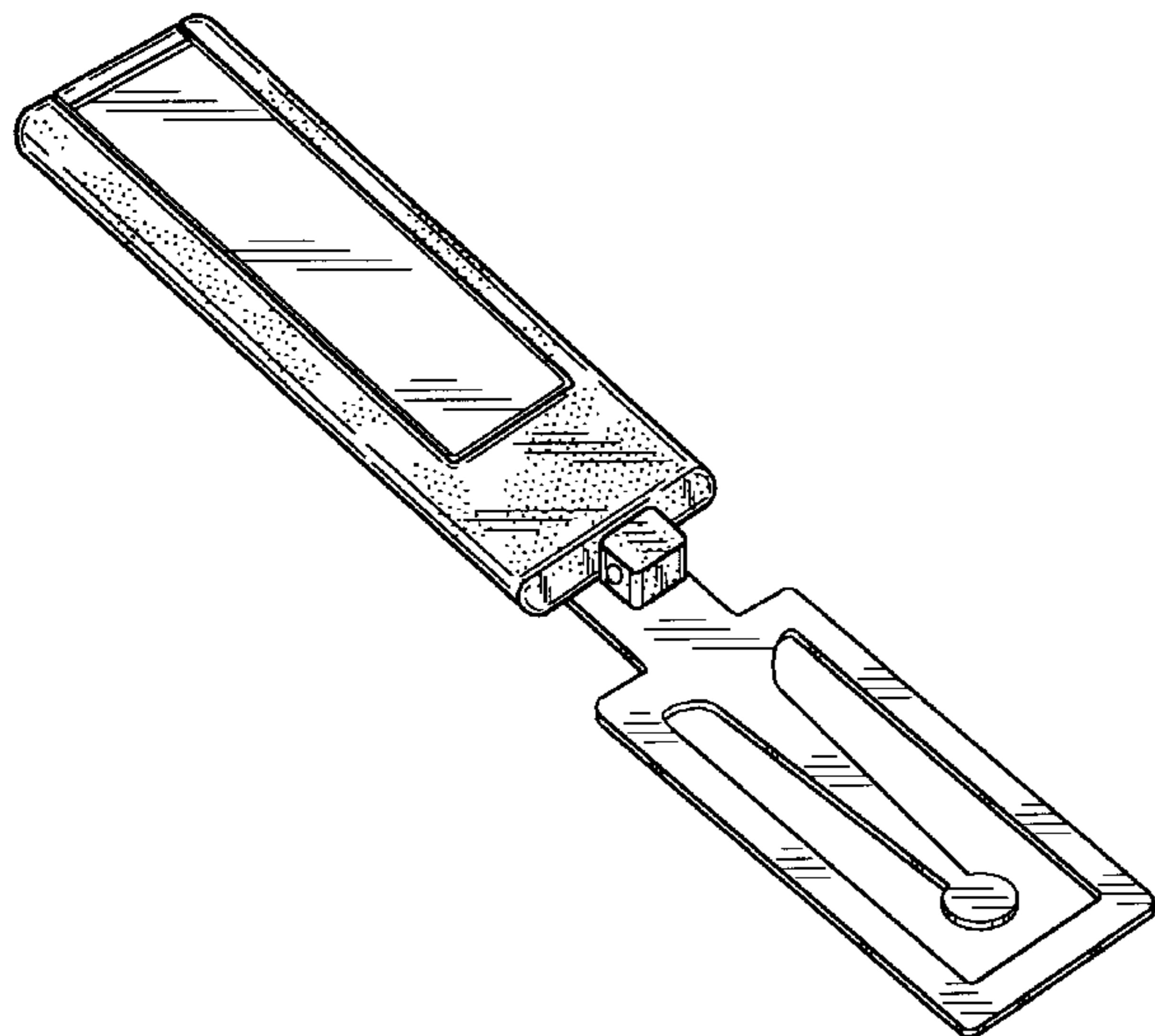
[57] **CLAIM**

The ornamental design for a bookmark with attached fold-out pen, substantially as shown.

**DESCRIPTION**

FIG. 1 is an isometric view from the front of a bookmark with attached fold-out pen incorporating the design, and with the pen in the folded position; FIG. 2 is a right-side view thereof; FIG. 3 is a left-side view thereof; FIG. 4 is a front view thereof; and FIG. 5 is a rear view thereof; FIG. 6 is a bottom plan view thereof; FIG. 7 is a top plan view thereof; and, FIG. 8 is an isometric view illustrating the pen in the unfolded position.

**1 Claim, 5 Drawing Sheets**



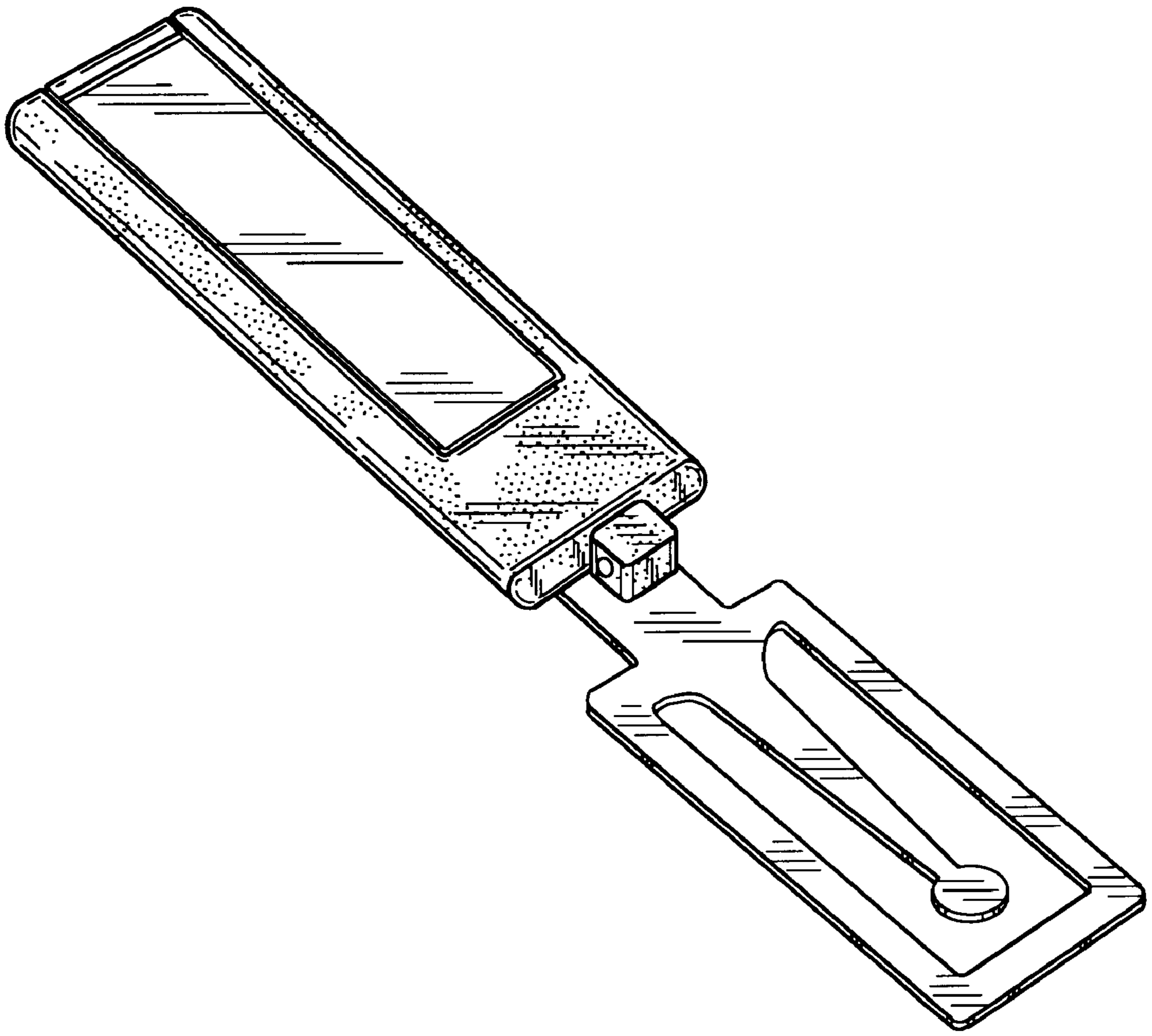


FIG. 1

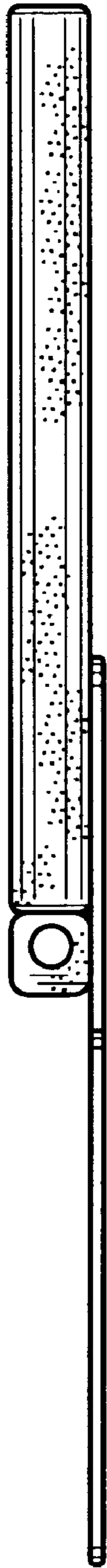


FIG. 2

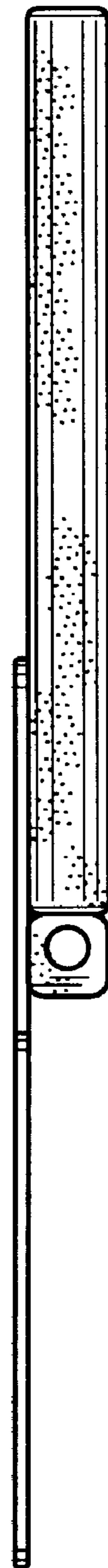


FIG. 3

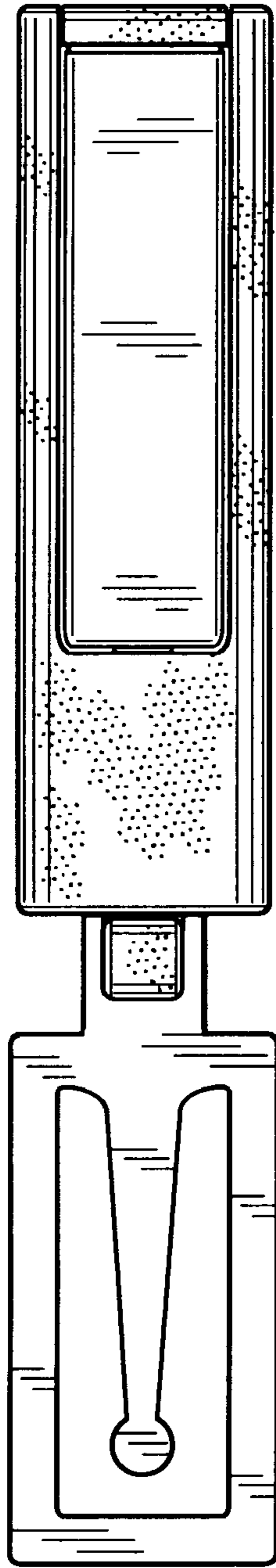


FIG. 4

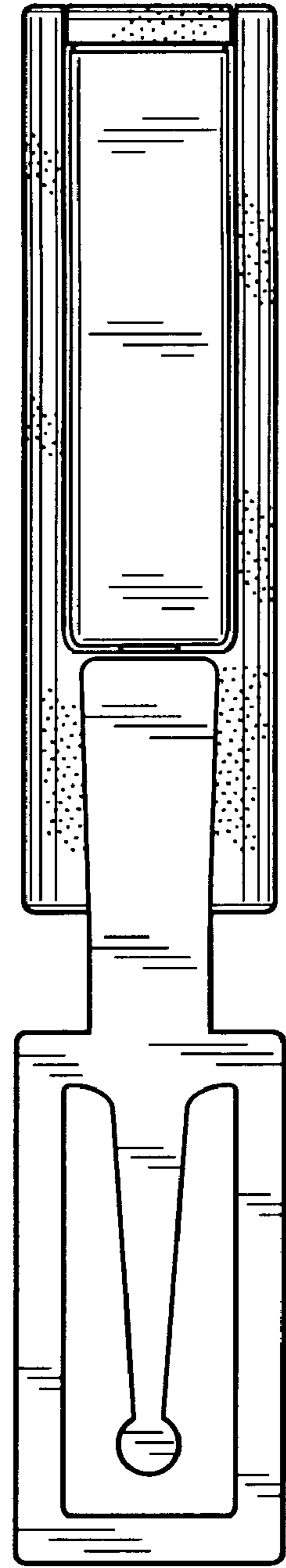


FIG. 5

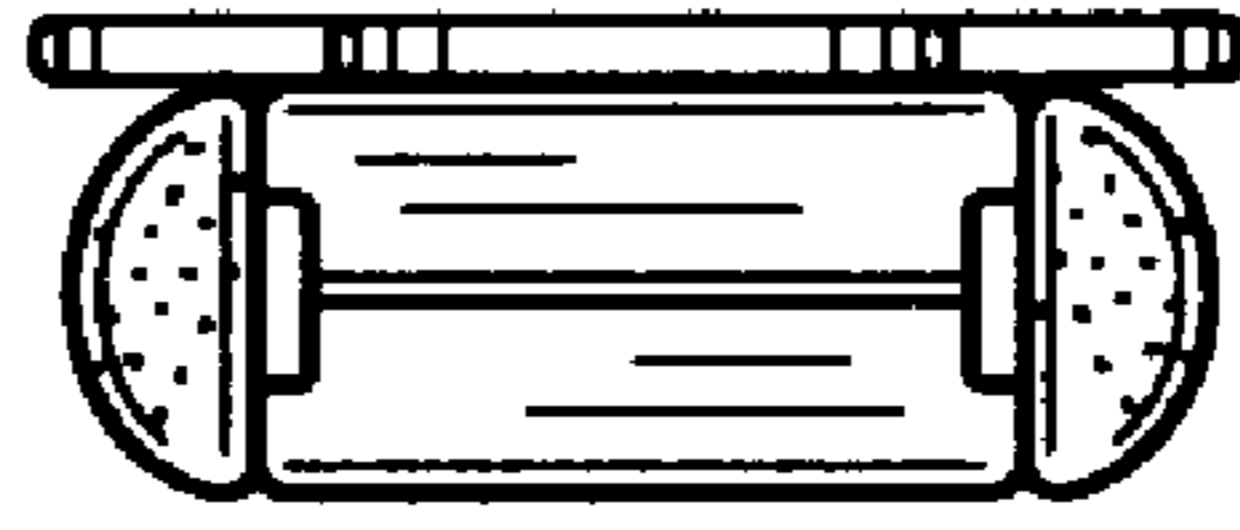


FIG. 6

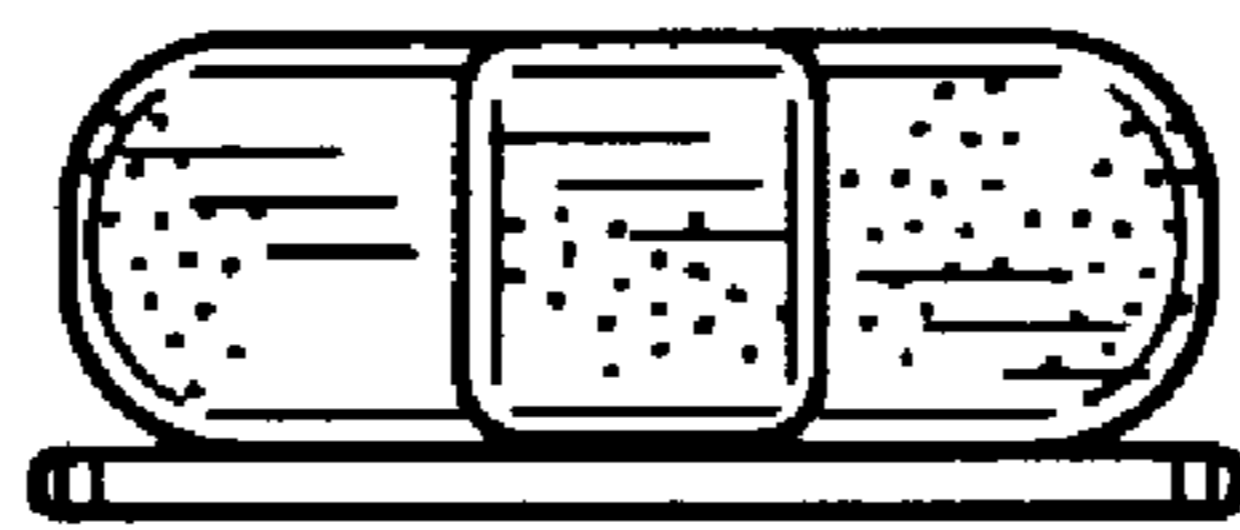


FIG. 7

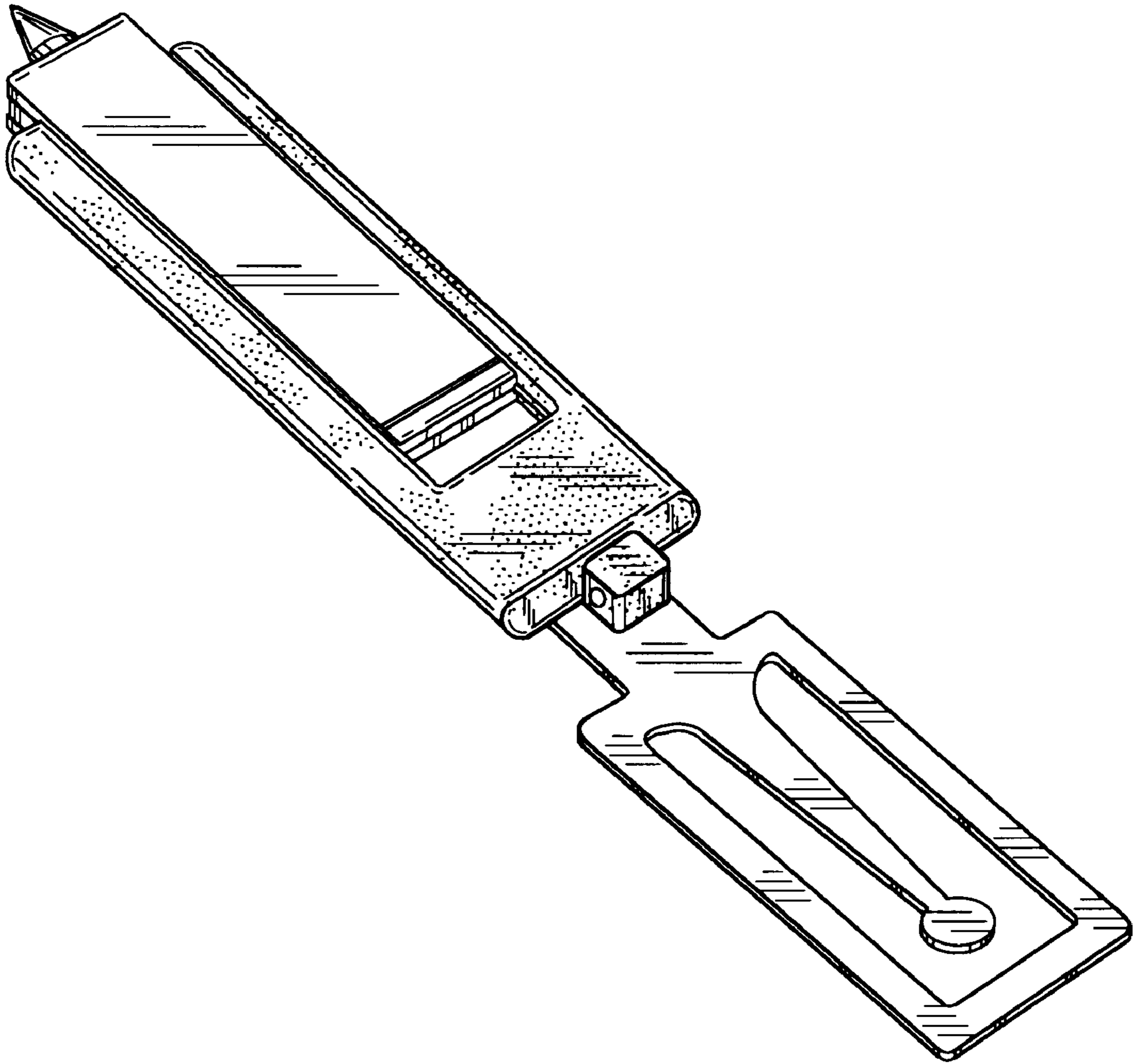


FIG. 8