



US00D429492S

United States Patent [19] Man

[11] Patent Number: **Des. 429,492**

[45] Date of Patent: **** Aug. 15, 2000**

[54] ELECTRONIC LEARNING AID HOUSING

DESCRIPTION

[75] Inventor: **Jacqueline Yeung Wai Man**, Kowloon, The Hong Kong Special Administrative Region of the People's Republic of China

[73] Assignee: **VTECH Electronics Limited**, China

[**] Term: **14 Years**

[21] Appl. No.: **29/100,618**

[22] Filed: **Feb. 16, 1999**

[51] **LOC (7) Cl.** **14-02**

[52] **U.S. Cl.** **D14/331**

[58] **Field of Search** D14/100, 101, D14/115, 106, 113, 126-129; 361/708.1; 345/104, 133, 156, 168, 173; 348/180, 184, 325, 739; 341/12; 248/918-924; 349/1, 2, 11, 62; D19/59, 60, 62

[56] References Cited

U.S. PATENT DOCUMENTS

D. 270,158	8/1983	Fossella et al.	D14/106
D. 361,550	8/1995	Mundt et al.	D14/100
D. 370,466	6/1996	Vossoughi	D14/100
D. 383,444	9/1997	Han	D14/100

Primary Examiner—Freda Nunn

Attorney, Agent, or Firm—Dick and Harris

[57] CLAIM

The ornamental design for an electronic learning aid housing, as shown and described.

FIG. 1 is a top front perspective view of the electronic learning aid housing including a main housing portion and a keyboard portion showing my new ornamental design thereof;

FIG. 2 is a top front perspective view of the main housing portion thereof shown separately for clarity of illustration only;

FIG. 3 is a top plan view of the main housing portion thereof;

FIG. 4 is a bottom plan view of the main housing portion thereof;

FIG. 5 is a front elevational view of the main housing portion thereof;

FIG. 6 is a back elevational view of the main housing portion thereof;

FIG. 7 is a left side elevational view of the main housing portion thereof;

FIG. 8 is a right side elevational view of the main housing portion thereof

FIG. 9 is a top front perspective view of the keyboard portion thereof shown separately for clarity of illustration only

FIG. 10 is a top plan view of the keyboard housing portion thereof;

FIG. 11 is a bottom plan view of the keyboard housing portion thereof;

FIG. 12 is a front elevational view of the keyboard housing portion thereof;

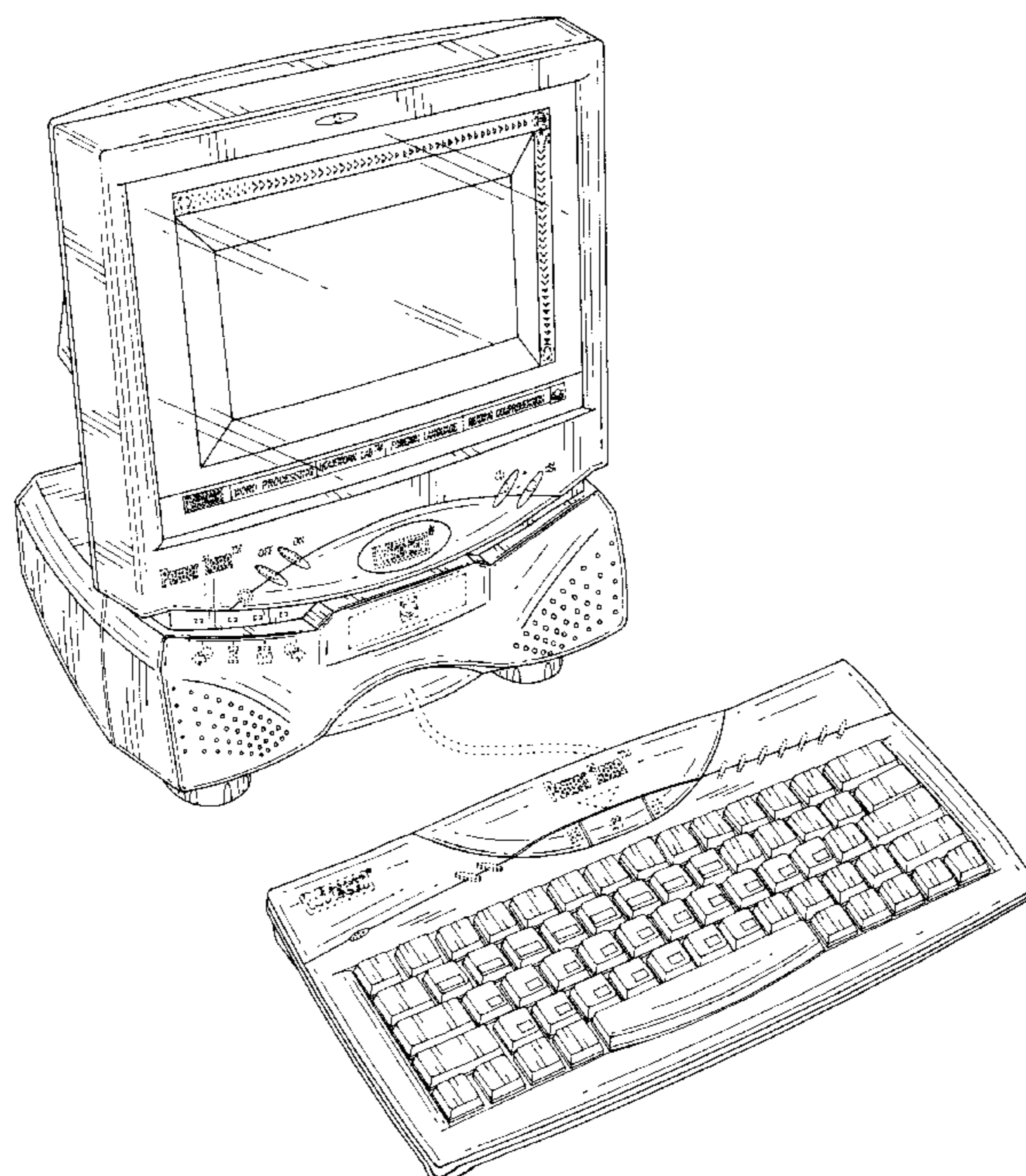
FIG. 13 is a back elevational view of the keyboard housing portion thereof;

FIG. 14 is a left side elevational view of the keyboard housing portion thereof; and,

FIG. 15 is a right side elevational view of the keyboard housing portion thereof;

All elements shown in broken lines are shown for illustrative purposes only and do not form part of the claimed design.

1 Claim, 11 Drawing Sheets



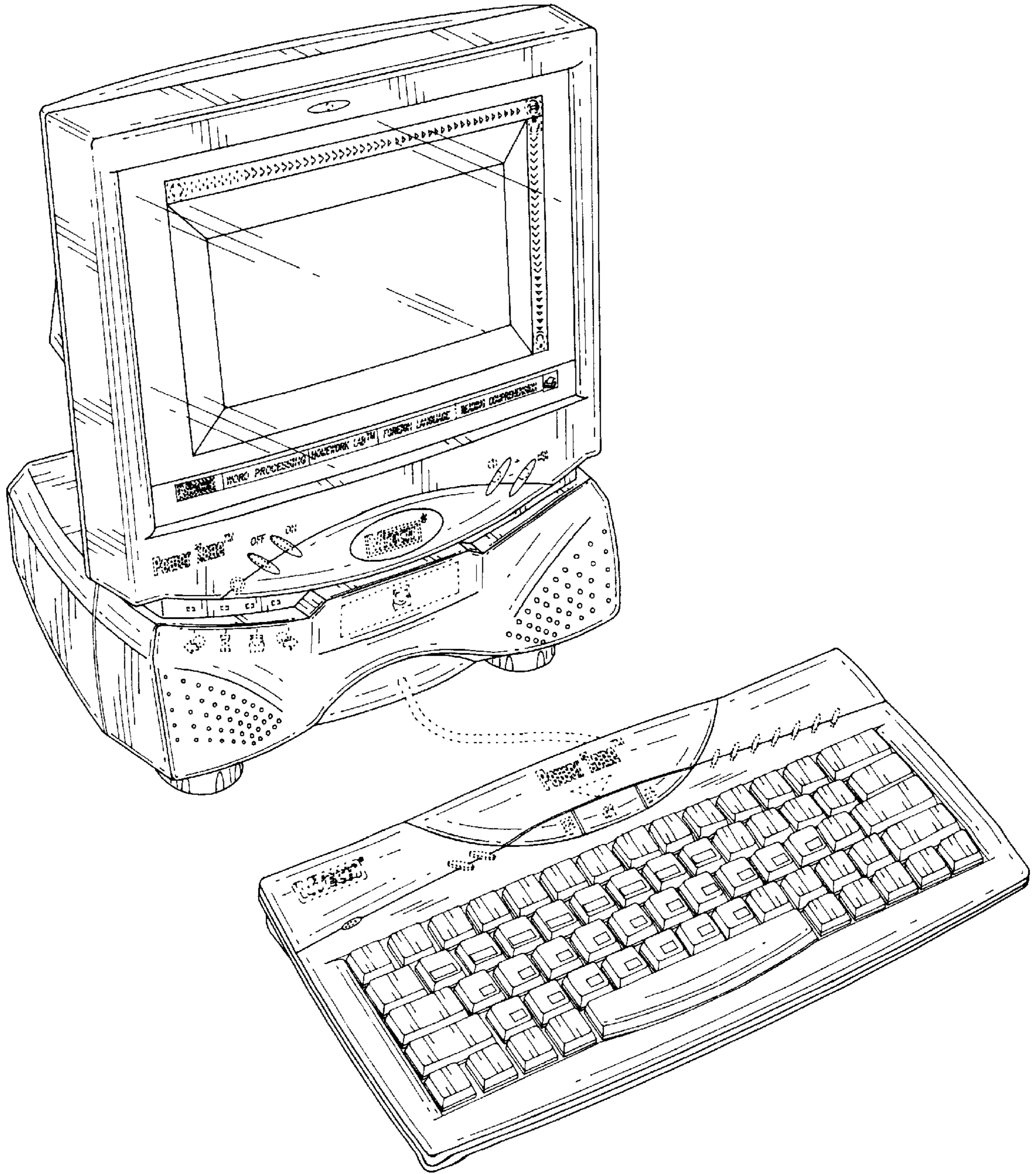


FIG. 1

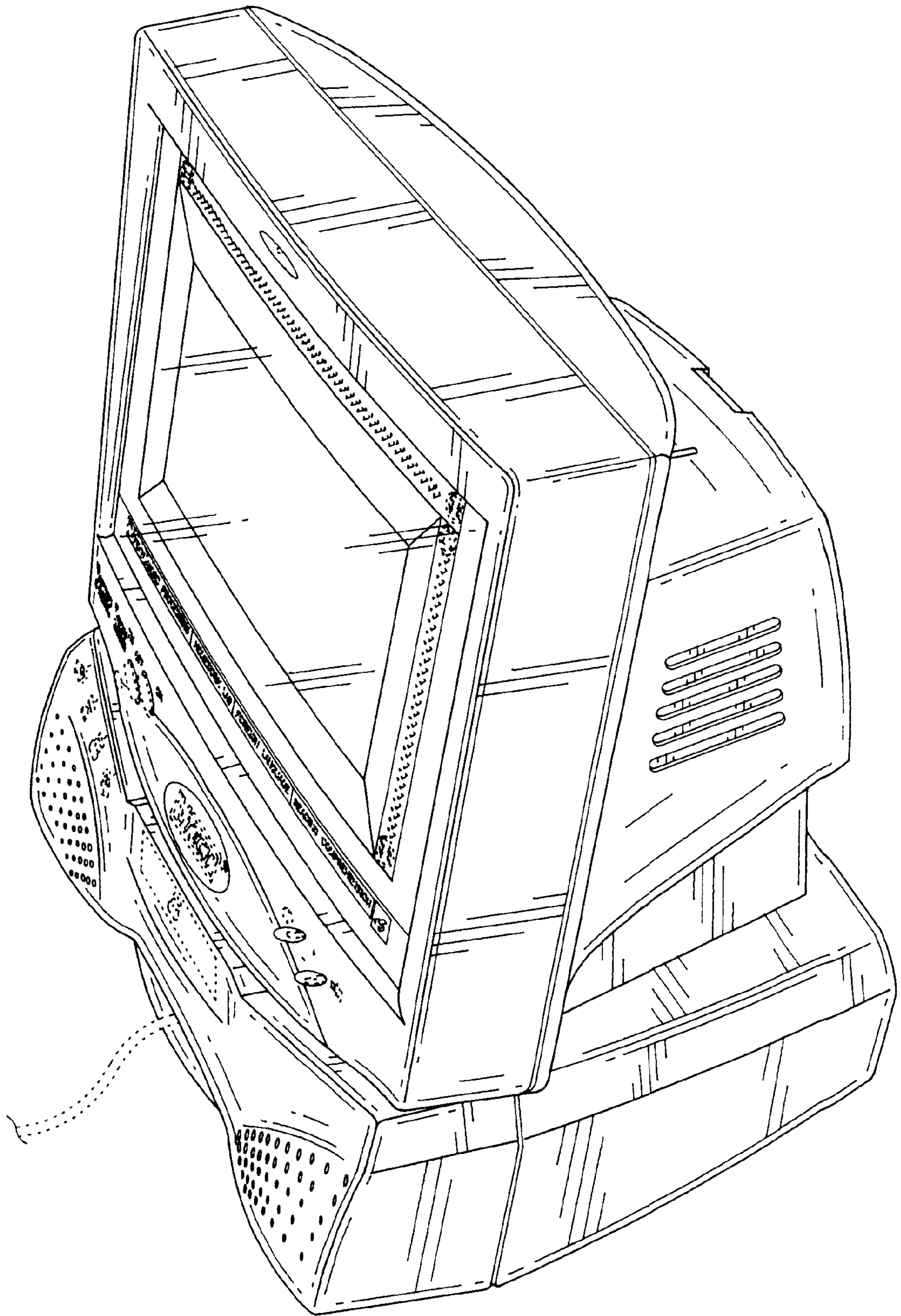


FIG. 2

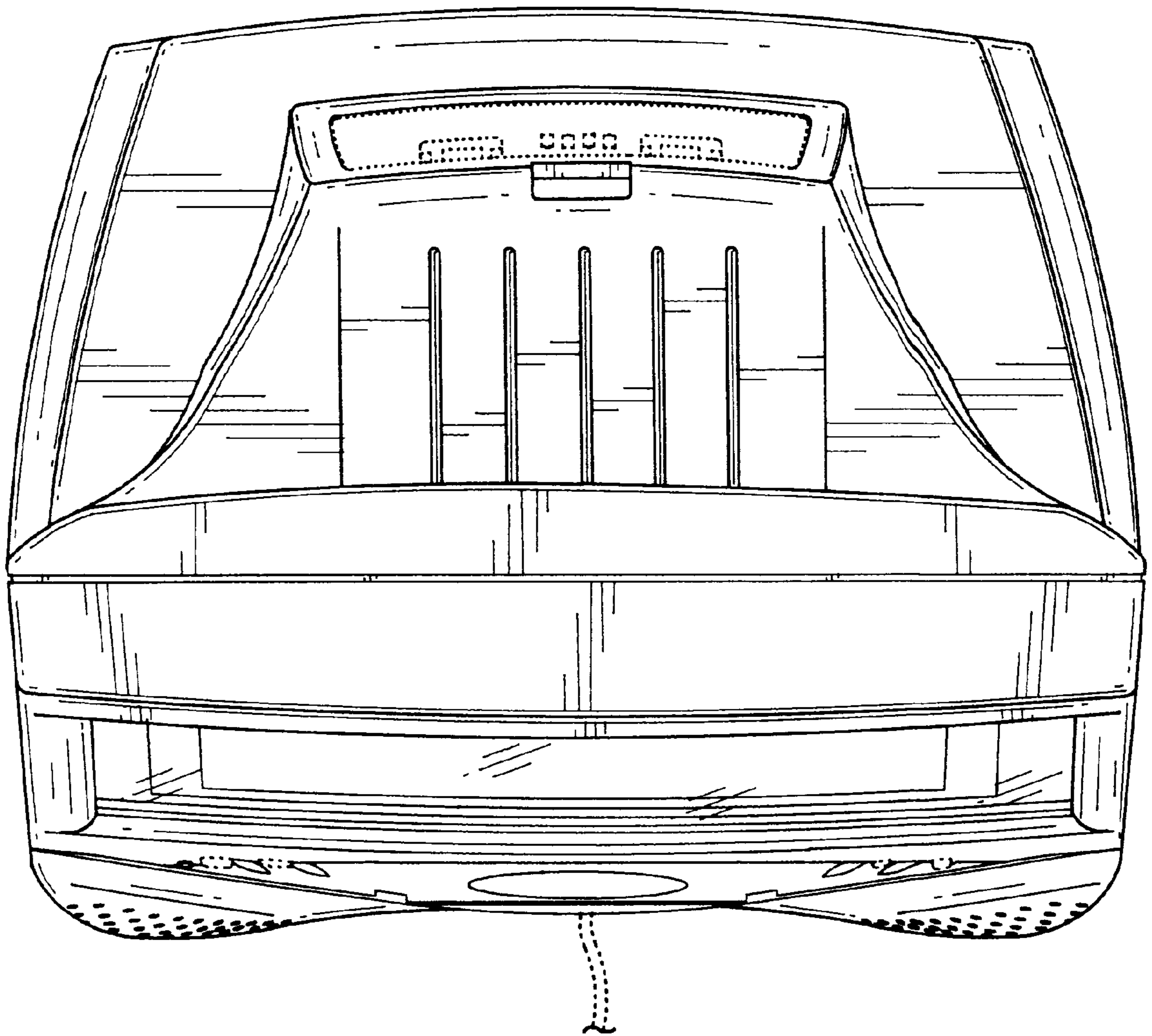


FIG. 3

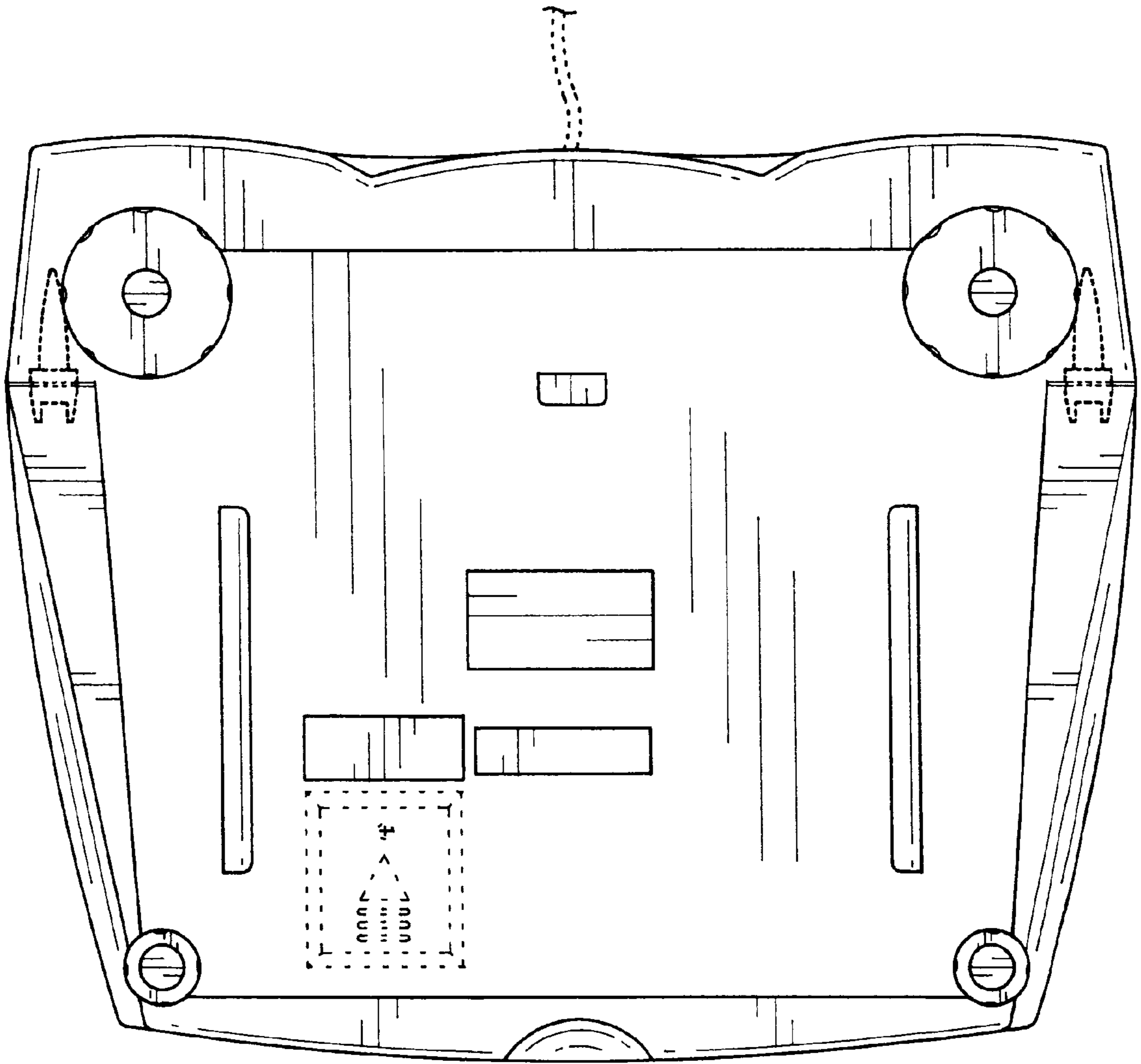


FIG. 4

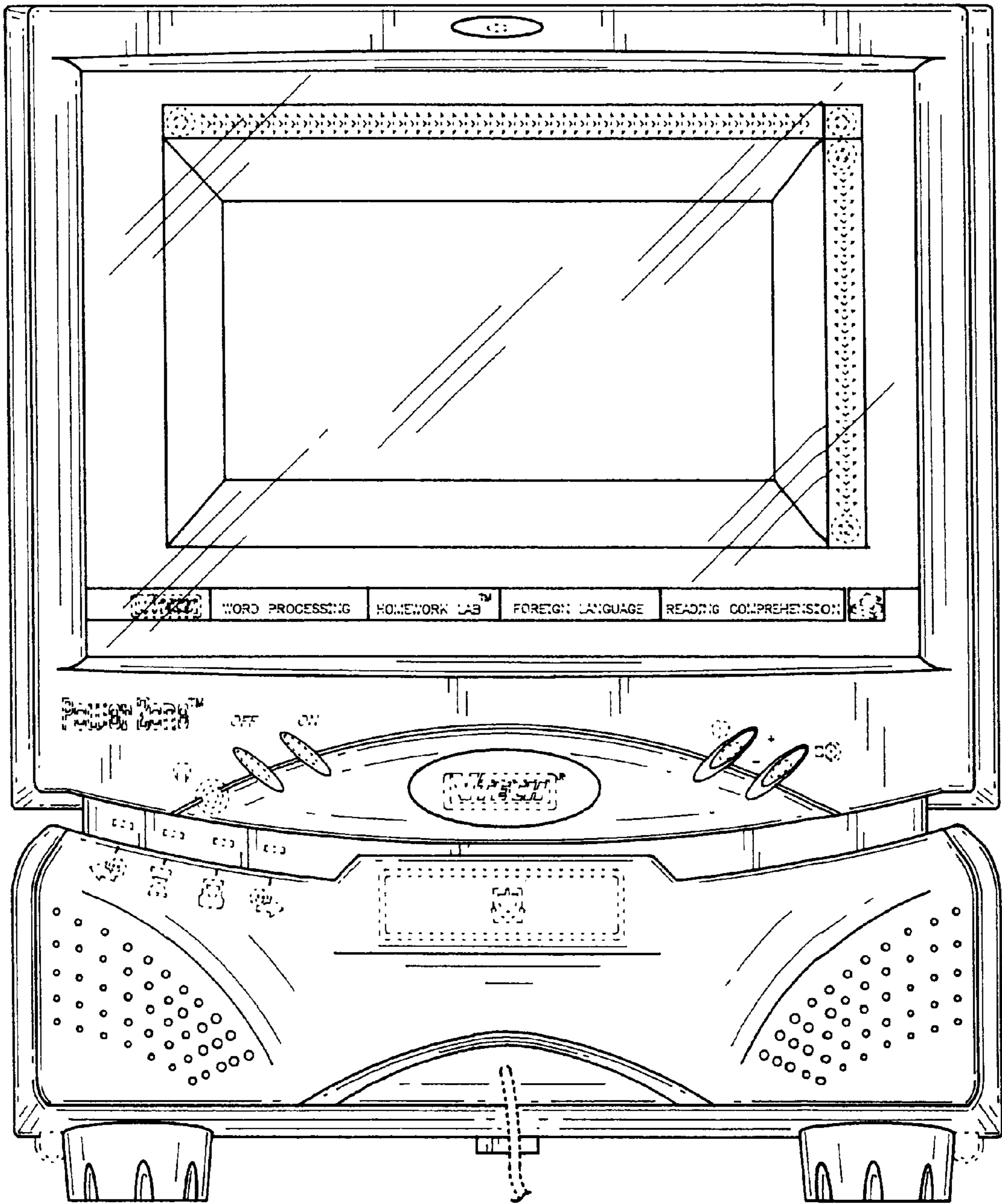


FIG. 5

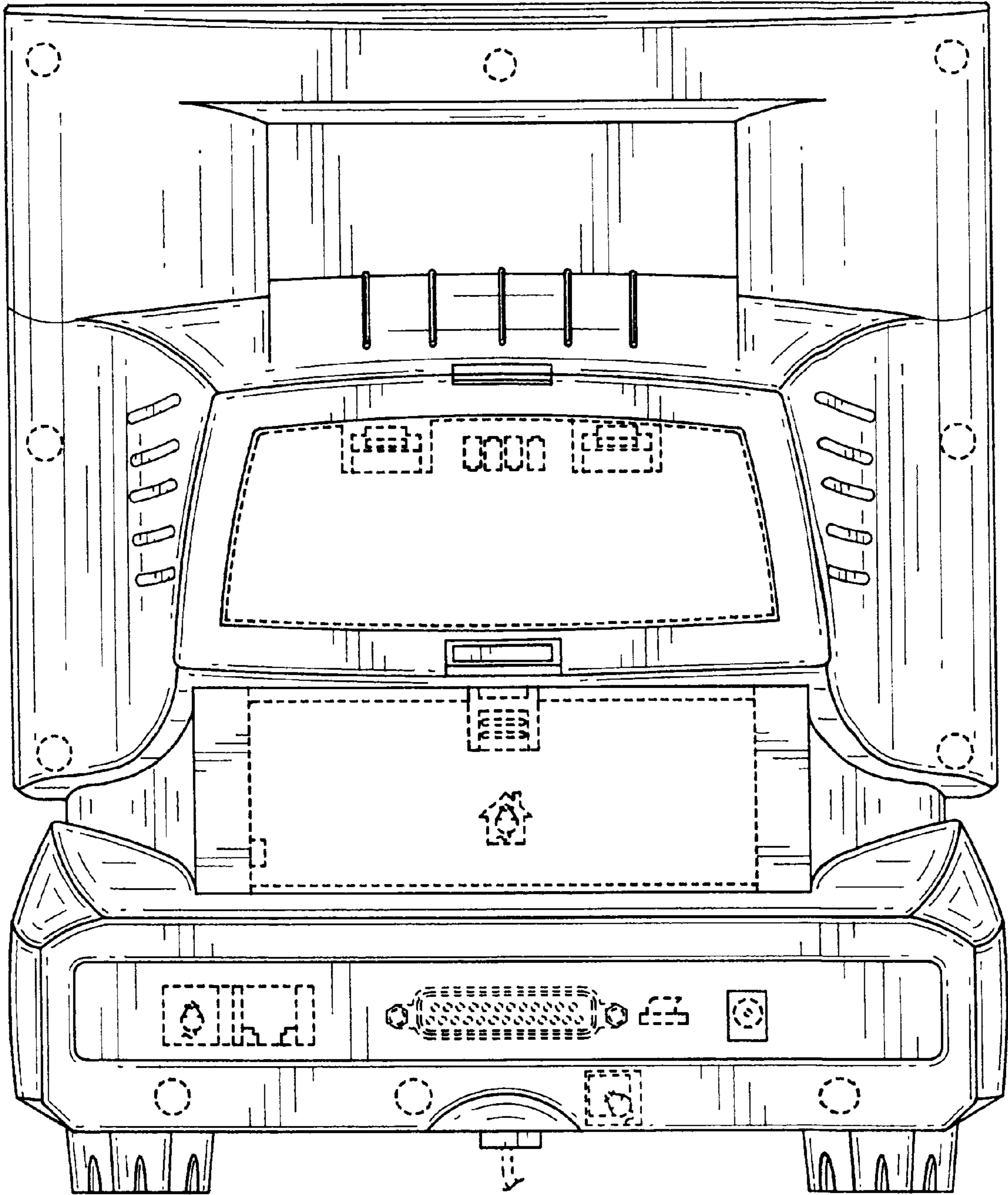


FIG. 6

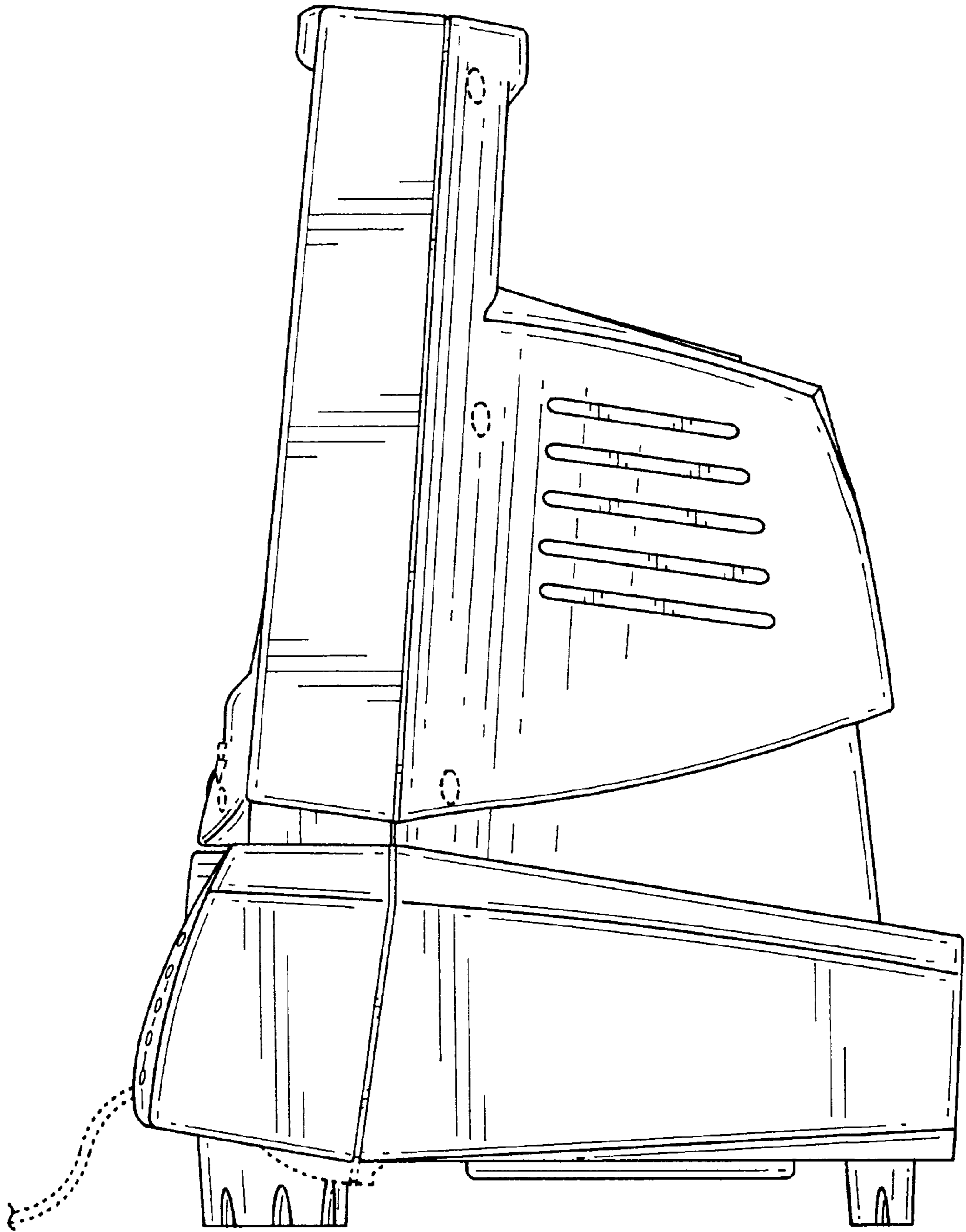


FIG. 7

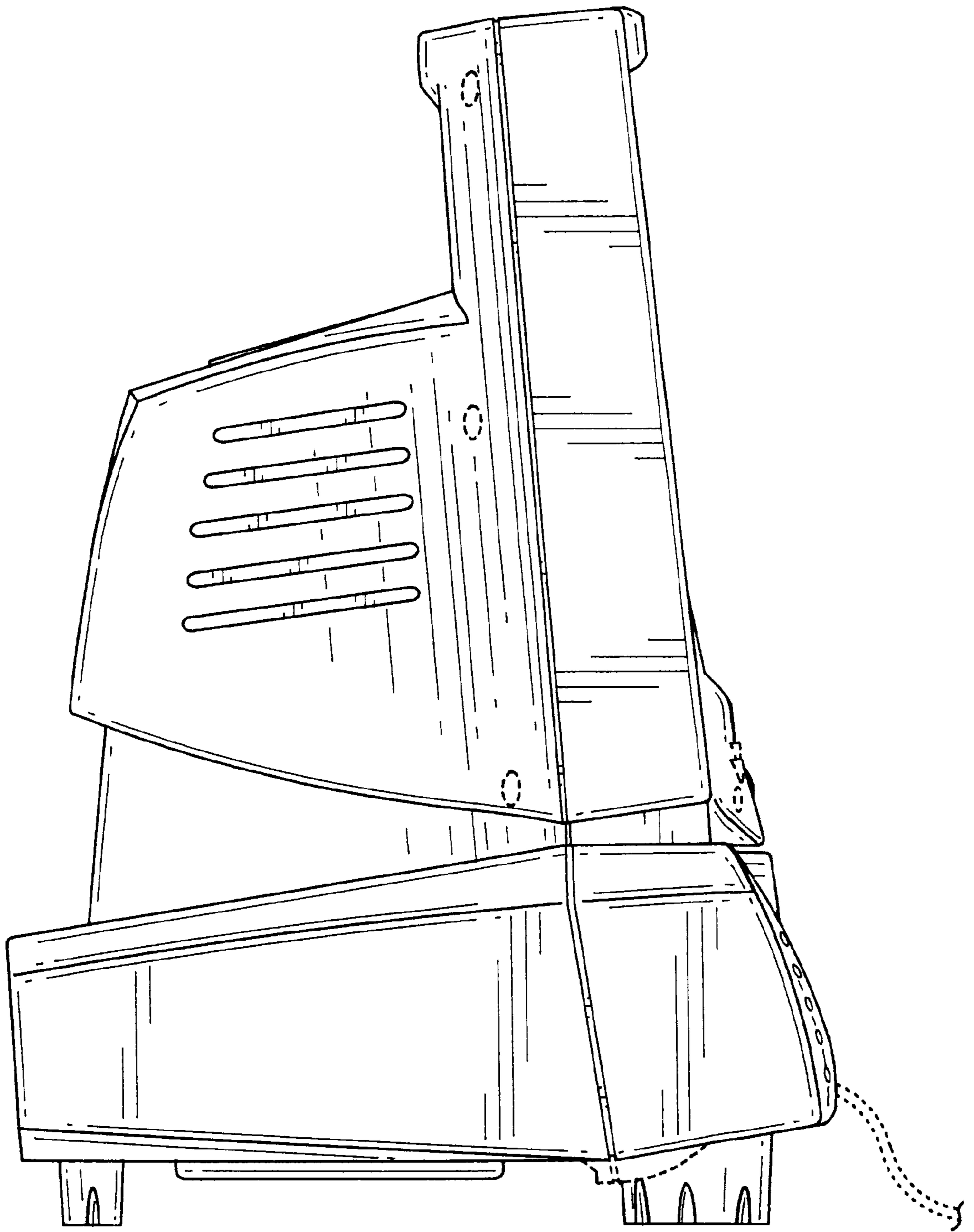


FIG. 8

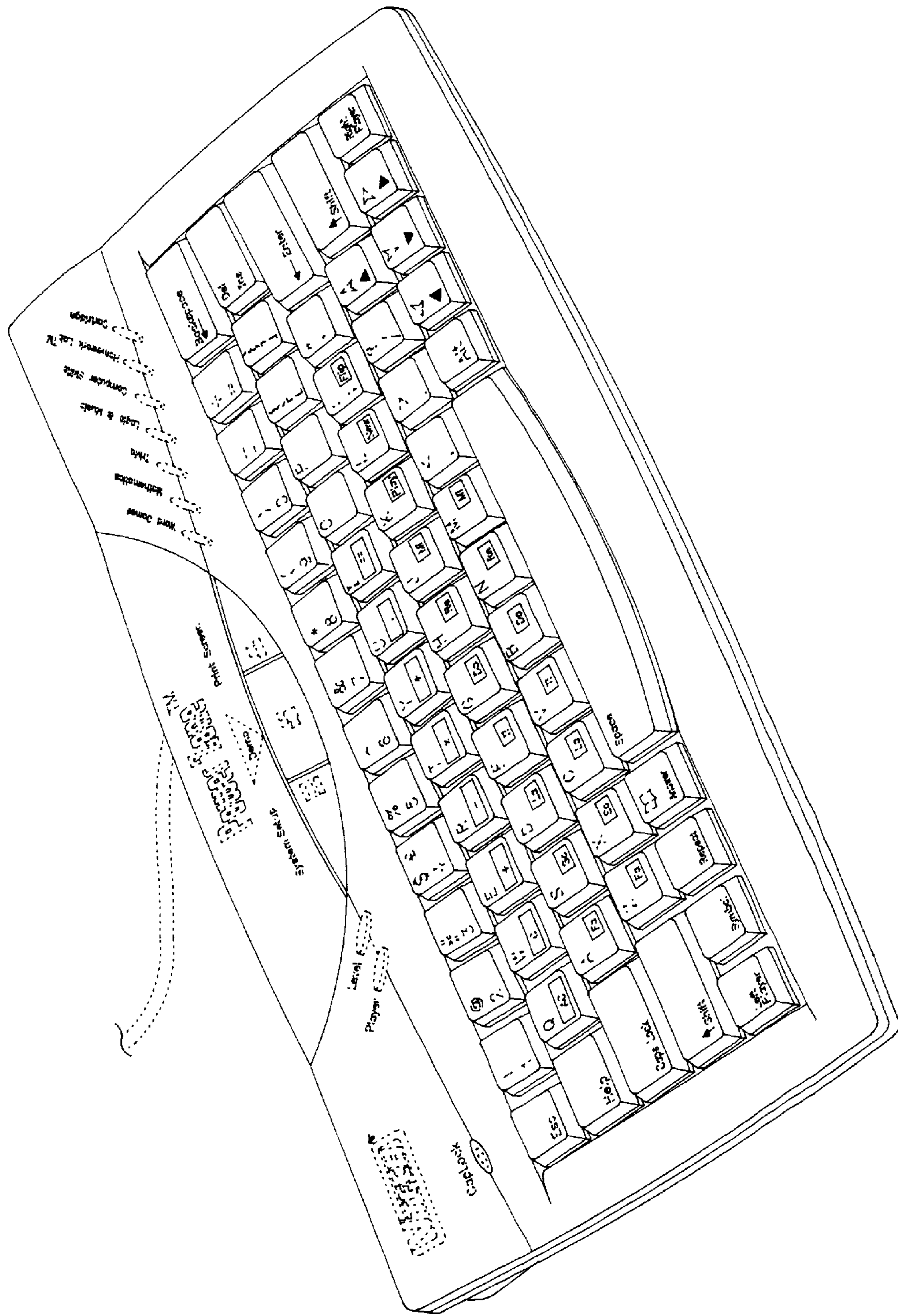


FIG. 9

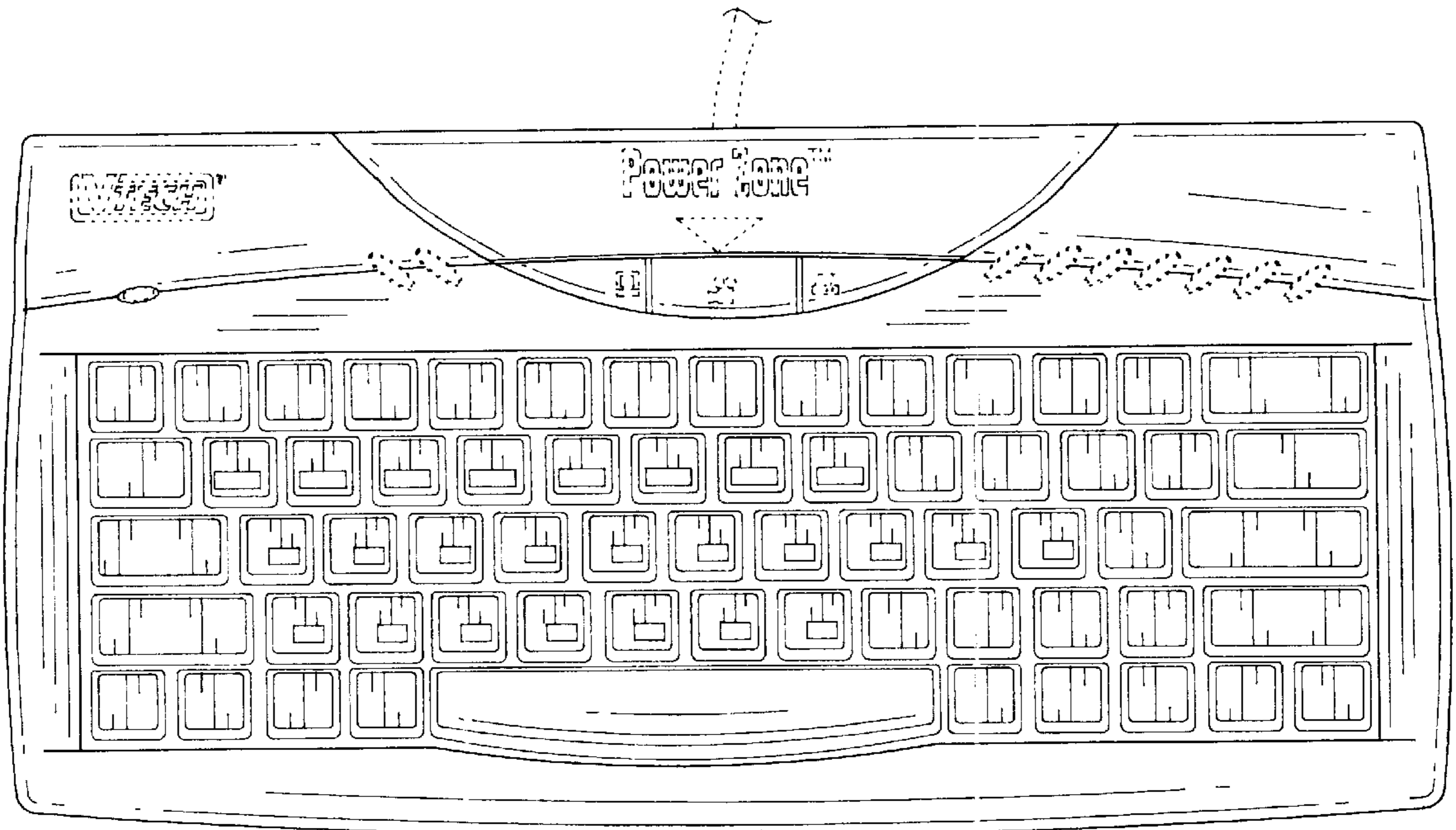


FIG. 10

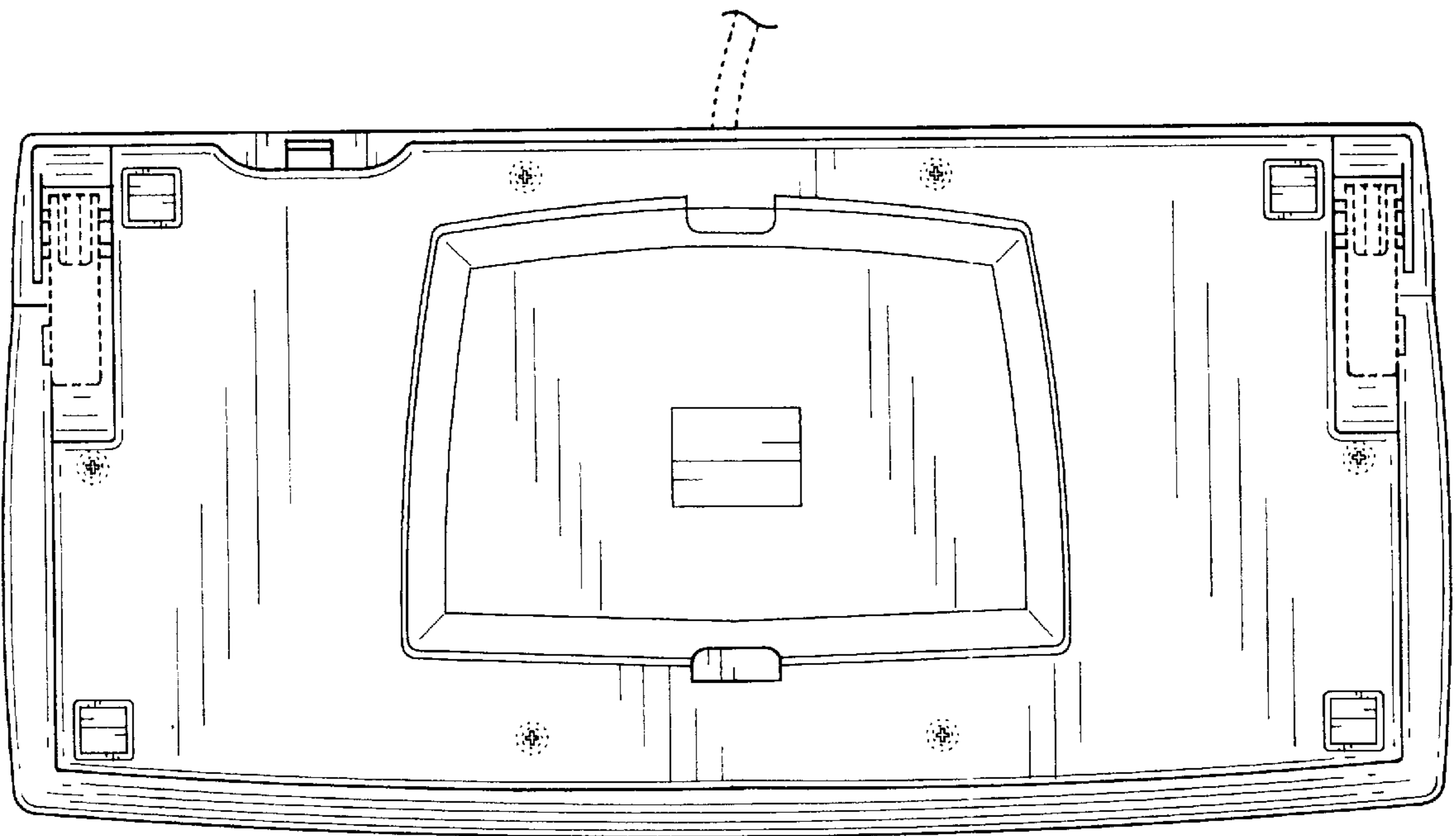


FIG. 11

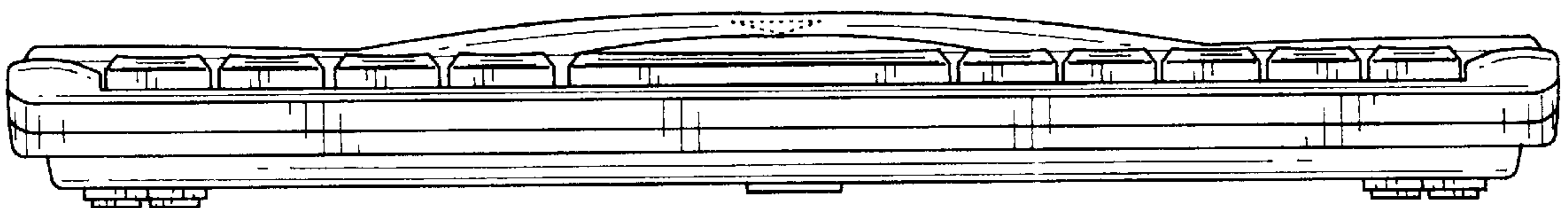


FIG. 12

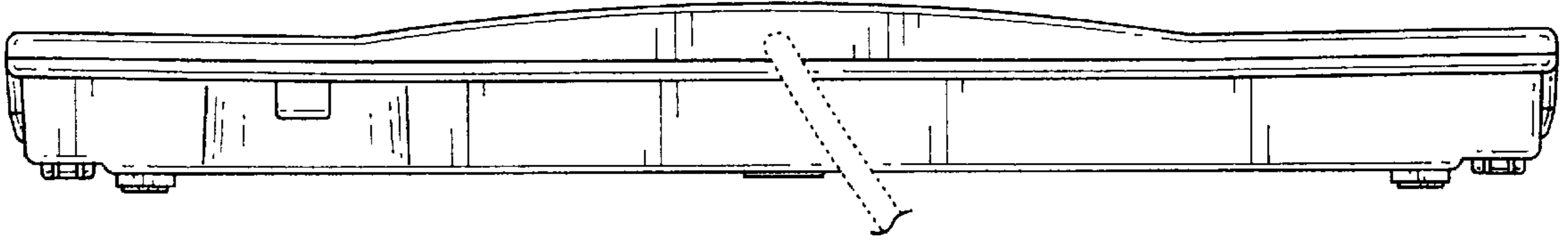


FIG. 13

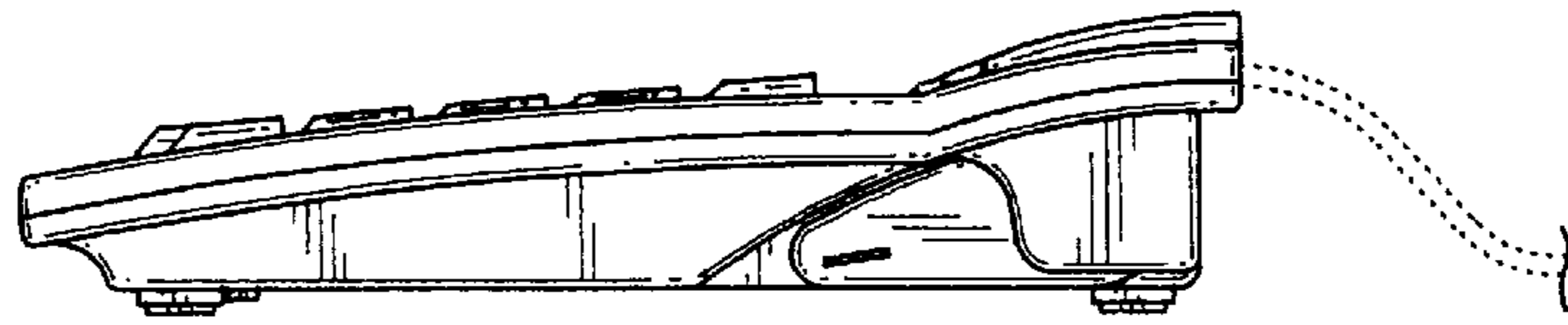


FIG. 14

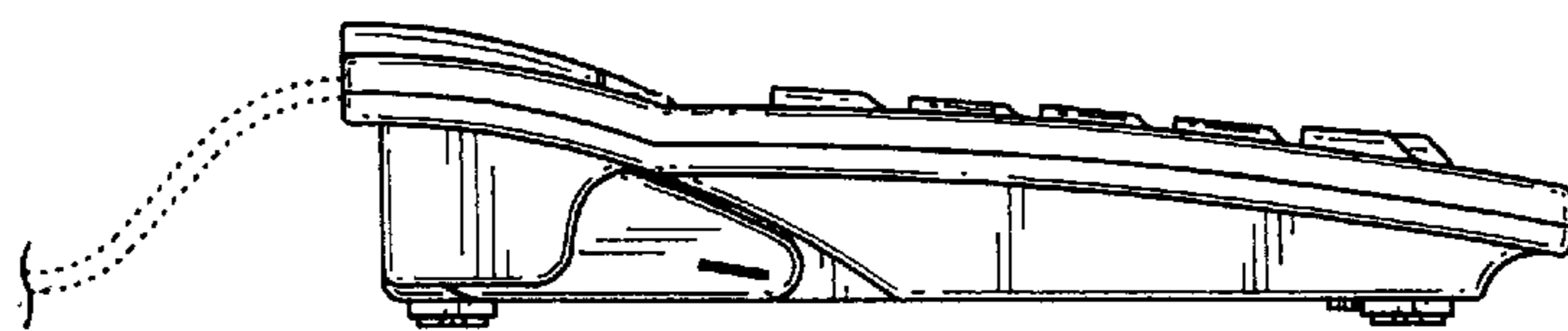


FIG. 15