



US00D429485S

United States Patent [19]

[11] **Patent Number: Des. 429,485**

Münch et al.

[45] **Date of Patent: ** Aug. 15, 2000**

[54] **COVER FOR THE CLOSURE OF A SWITCHGEAR CABINET**

D. 185,725 7/1959 Wieland D13/156
D. 265,967 8/1982 Newman D13/156 X
5,806,946 9/1998 Benner et al. 49/401 X

[75] Inventors: **Udo Münch, Sinn; Wolfgang Reuter,**
Burbach, both of Germany

Primary Examiner—Alan P. Douglas
Assistant Examiner—Lavone Tabor
Attorney, Agent, or Firm—Pauley Petersen Kinne & Fejer

[73] Assignee: **Rittal-Werk Rudolf Loh GmbH & Co. KG,** Herborn, Germany

[57] **CLAIM**

[**] Term: **14 Years**

The ornamental design for a cover for the closure of a switchgear cabinet, as shown.

[21] Appl. No.: **29/085,481**

DESCRIPTION

[22] Filed: **Mar. 24, 1998**

FIG. 1 is a front view of a cover for the closure of a switchgear cabinet, according to this invention;
FIG. 2 is a side view of the cover for the closure of a switchgear cabinet, as shown in FIG. 1;
FIG. 3 is a side view, opposite the side view shown in FIG. 2, of the cover for the closure of a switchgear cabinet;
FIG. 4 is a top view of the cover for the closure of a switchgear cabinet, as shown in FIG. 1;
FIG. 5 is a bottom view of the cover for the closure of a switchgear cabinet, as shown in FIG. 1;
FIG. 6 is a rear view of the cover for the closure of a switchgear cabinet, as shown in FIG. 1; and,
FIG. 7 is a perspective view of the cover for the closure of a switchgear cabinet, as shown in FIGS. 1-6.

[30] **Foreign Application Priority Data**

Sep. 25, 1997 [DE] Germany M9708953

[51] **LOC (7) Cl.** **13-03**

[52] **U.S. Cl.** **D13/156**

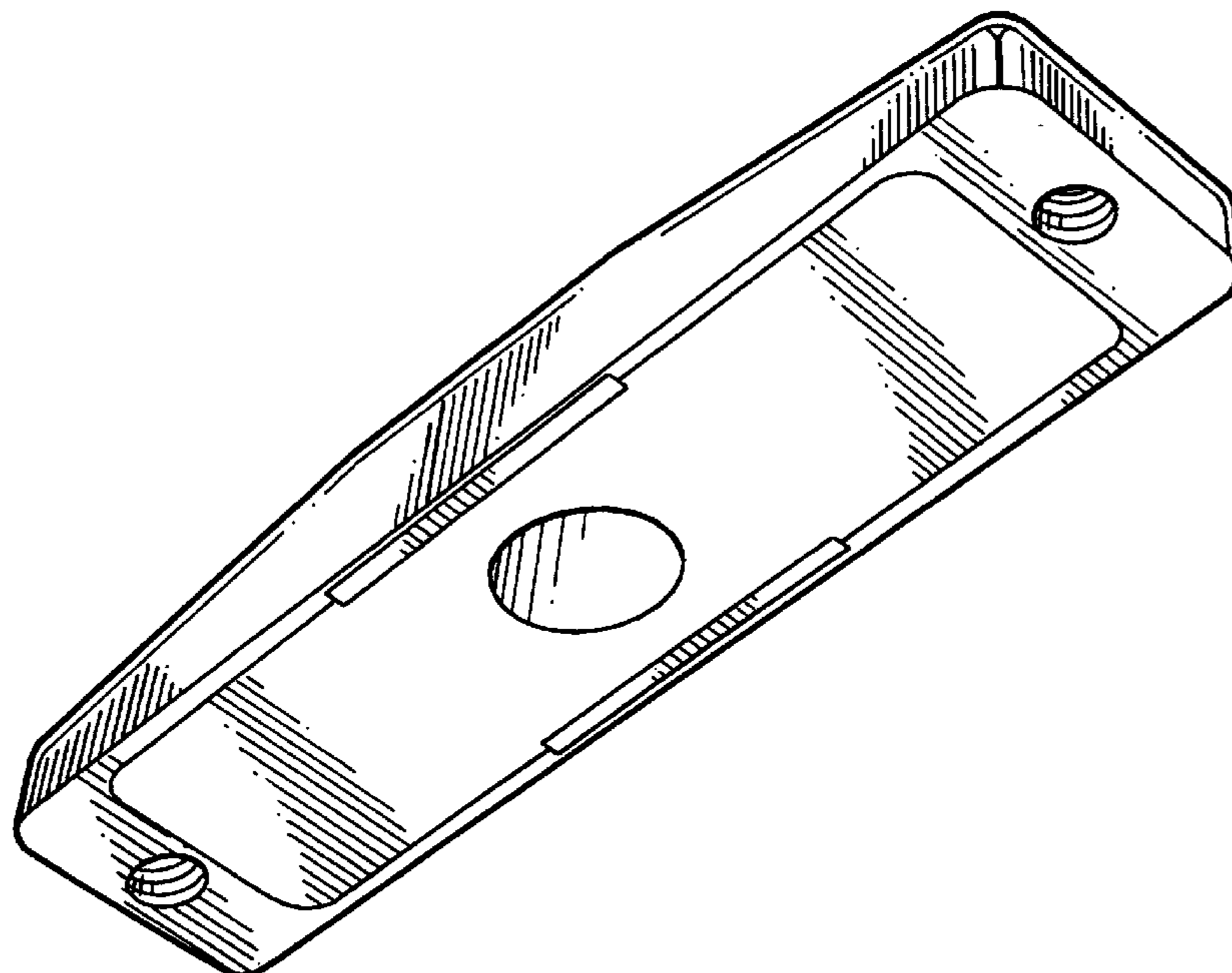
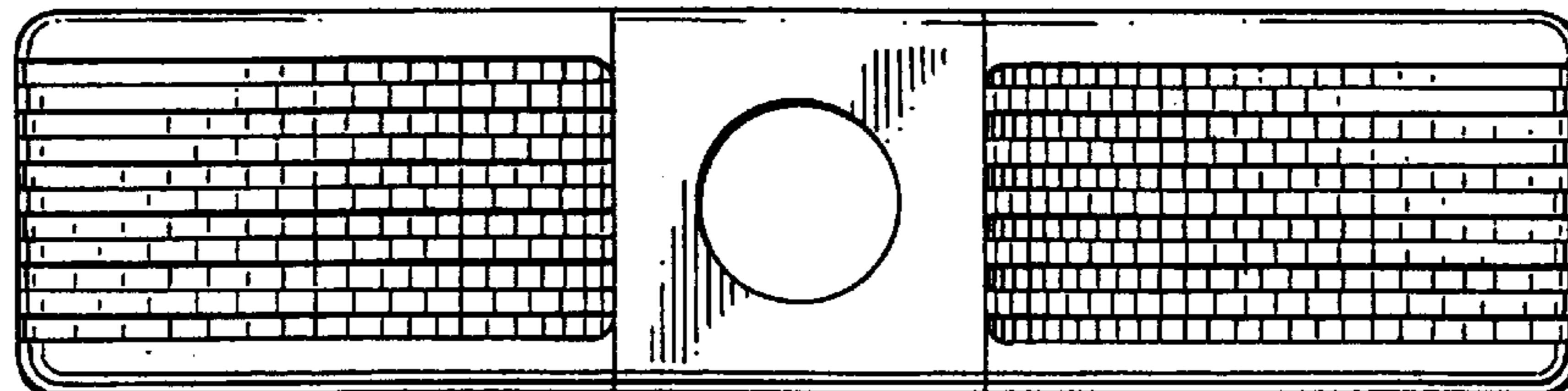
[58] **Field of Search** D8/322; D10/118;
D13/156, 173, 184, 199; D4/102, 240,
299; 312/223.1, 223.2, 293.1, 293.2; 361/605,
616, 724; 49/401, 460

[56] **References Cited**

U.S. PATENT DOCUMENTS

D. 118,866 2/1940 Rittenhouse D10/118

1 Claim, 3 Drawing Sheets



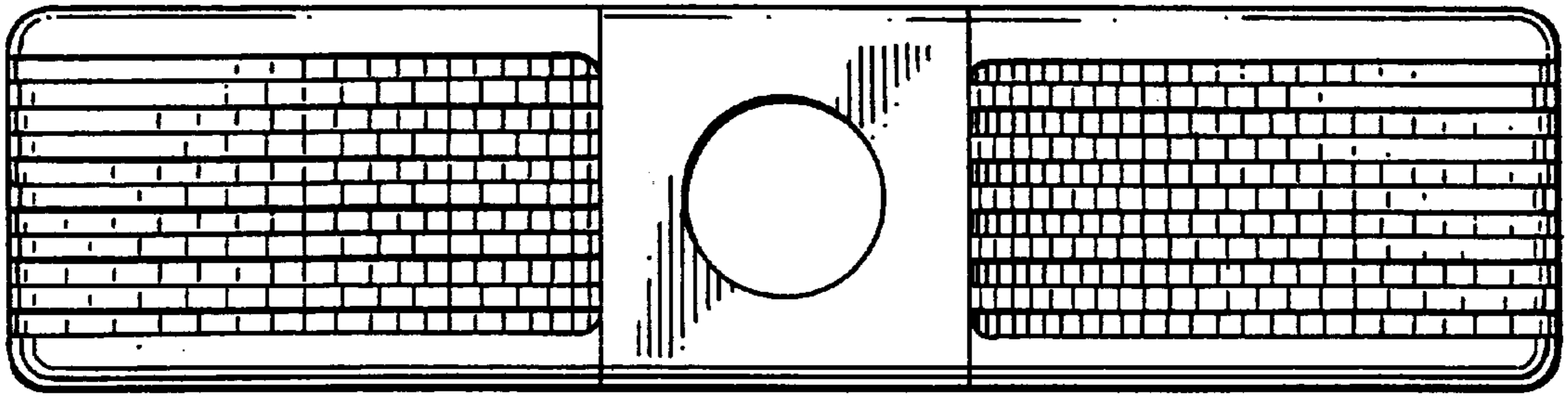


FIG. 1



FIG. 2

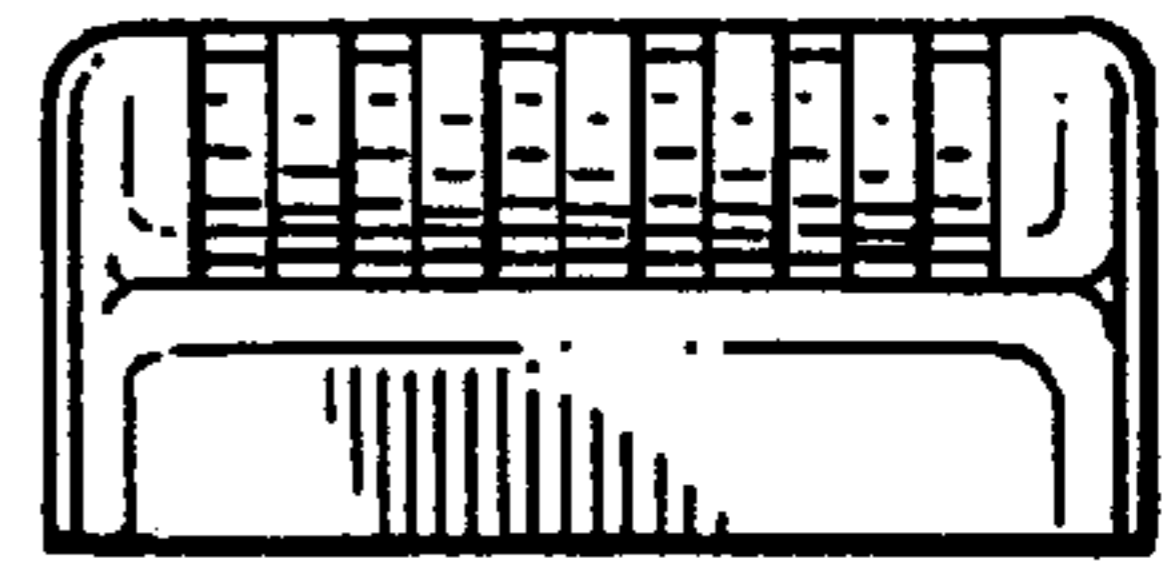


FIG. 3

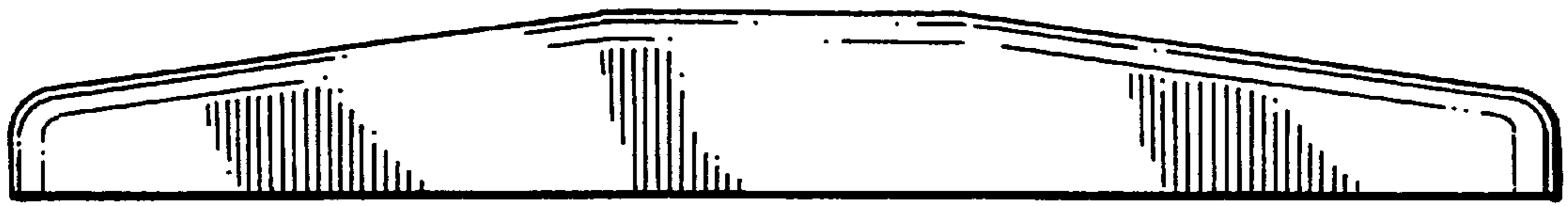


FIG. 4

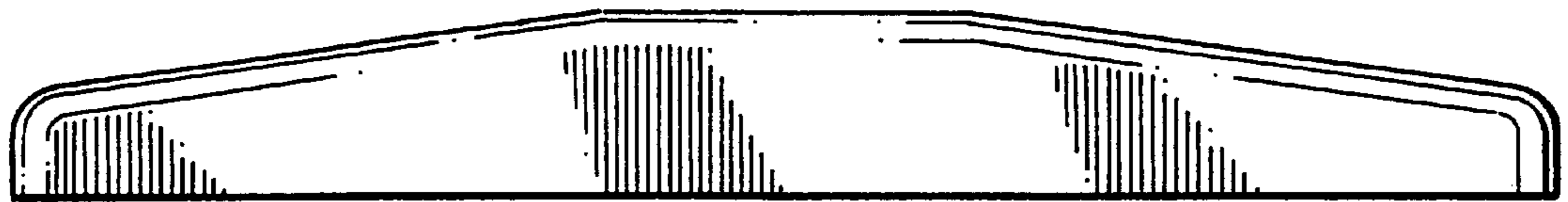


FIG. 5

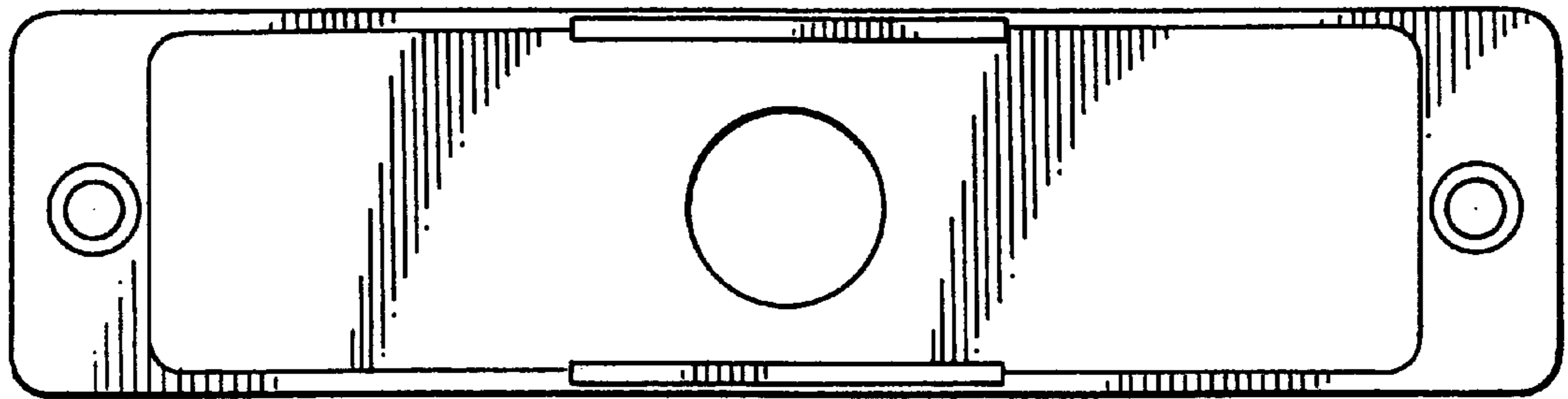


FIG. 6

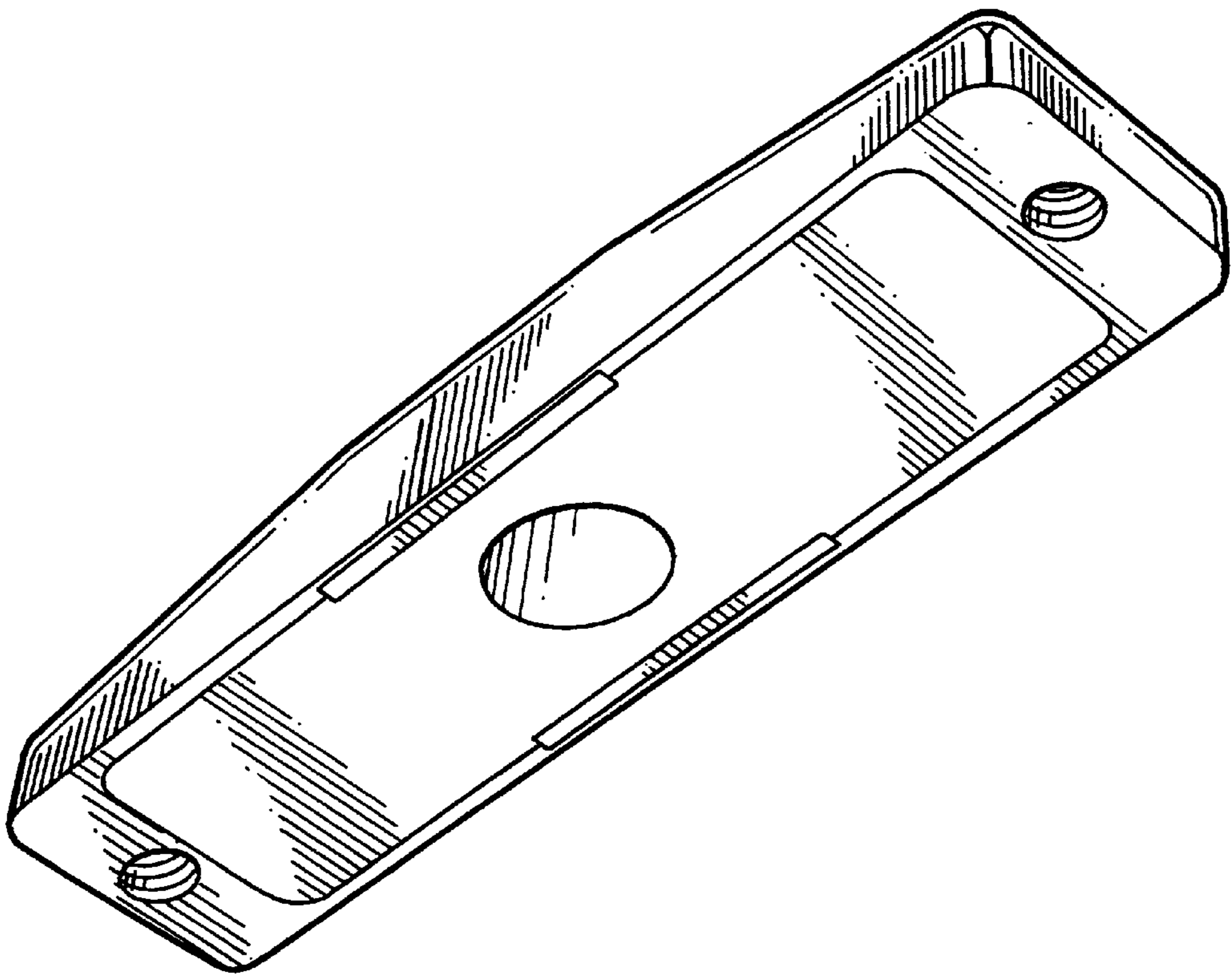


FIG. 7