



US00D429482S

# United States Patent [19]

Hussaini et al.

[11] Patent Number: Des. 429,482

[45] Date of Patent: \*\* Aug. 15, 2000

[54] BATTERY CHARGER

[76] Inventors: Saied Hussaini; Marc Iacovelli, both of 5255 NW. 159th St., Miami, Fla. 33014

[\*\*] Term: 14 Years

[21] Appl. No.: 29/110,308

[22] Filed: Sep. 3, 1999

[51] LOC (7) Cl. .... 13-02

[52] U.S. Cl. .... D13/107

[58] Field of Search ..... D13/106, 107, D13/108, 118, 110; 320/105, 110-115; 429/96

[56] **References Cited**

**U.S. PATENT DOCUMENTS**

D. 374,859	10/1996	Guay et al. ....	D13/110
D. 408,782	4/1999	Poon .....	D13/106
D. 413,098	8/1999	Dayan .....	D13/110
2,718,540	9/1955	Betz .....	429/96
5,589,292	12/1996	Rozon .....	429/170
5,793,185	8/1998	Prelec et al. ....	320/104
5,955,866	9/1999	Peng .....	320/105
6,002,235	12/1999	Clore .....	320/105

Primary Examiner—Joel Sincavage  
Attorney, Agent, or Firm—Liniak, Berenato Longacre & White

[57] **CLAIM**

The ornamental design for a battery charger, as shown and described.

**DESCRIPTION**

FIG. 1 is a front view of the battery charger according to the present invention.

FIG. 2 is a rear view of the battery charger of FIG. 1 according to the present invention.

FIG. 3 is a left side view of the battery charger of FIG. 1 according to the present invention.

FIG. 4 is a right side view of the battery charger of FIG. 1 according to the present invention.

FIG. 5 is a top view of the battery charger of FIG. 1 according to the present invention.

FIG. 6 is a bottom view of the battery charger of FIG. 1 according to the present invention; and,

FIG. 7 is a front perspective view of the battery charger of FIG. 1 according to the present invention.

The broken line showing of the cables and clamps is included for the purpose of illustrating environmental structure only and forms no part of the claimed design.

**1 Claim, 6 Drawing Sheets**

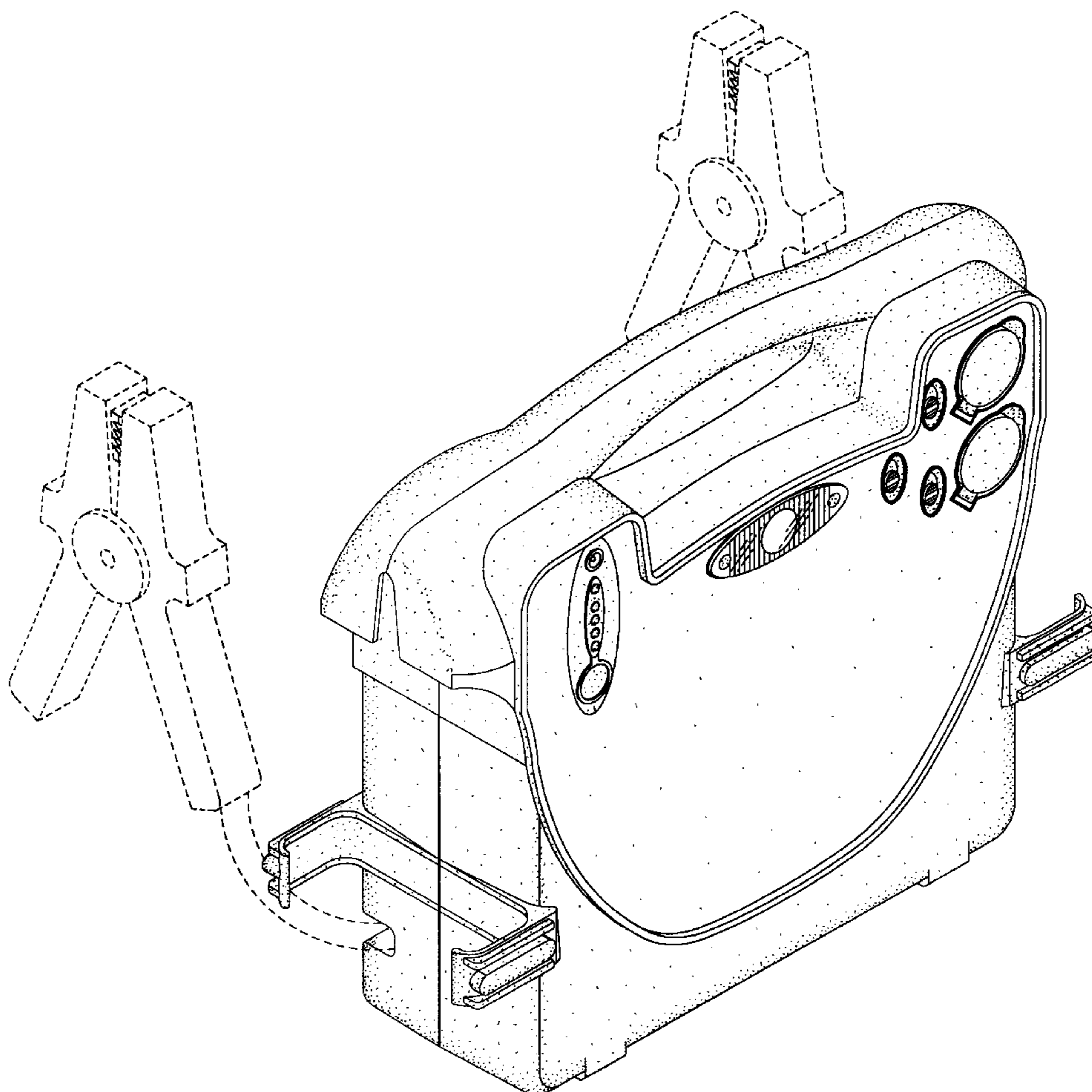


Fig. 1

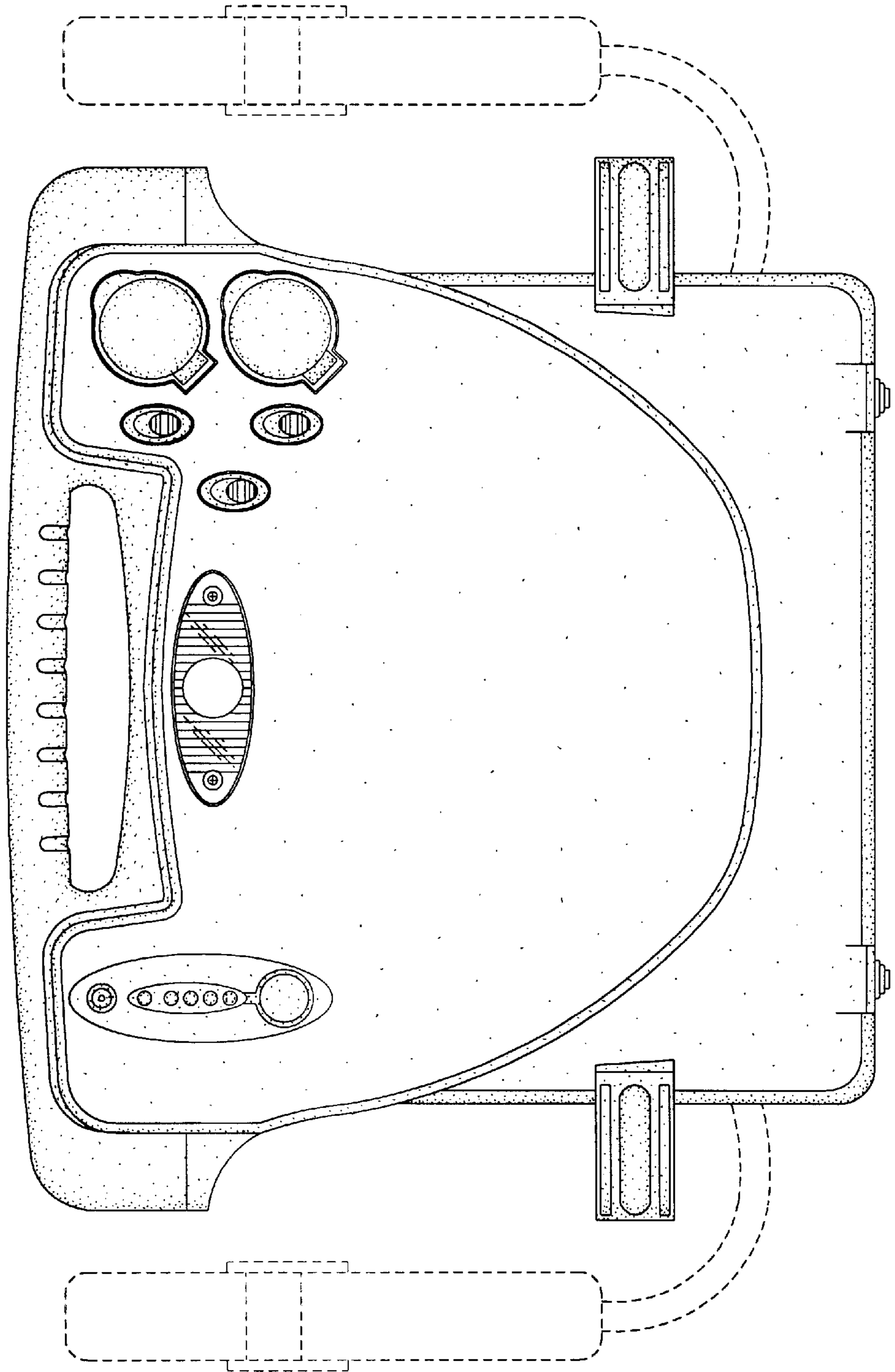


Fig. 2

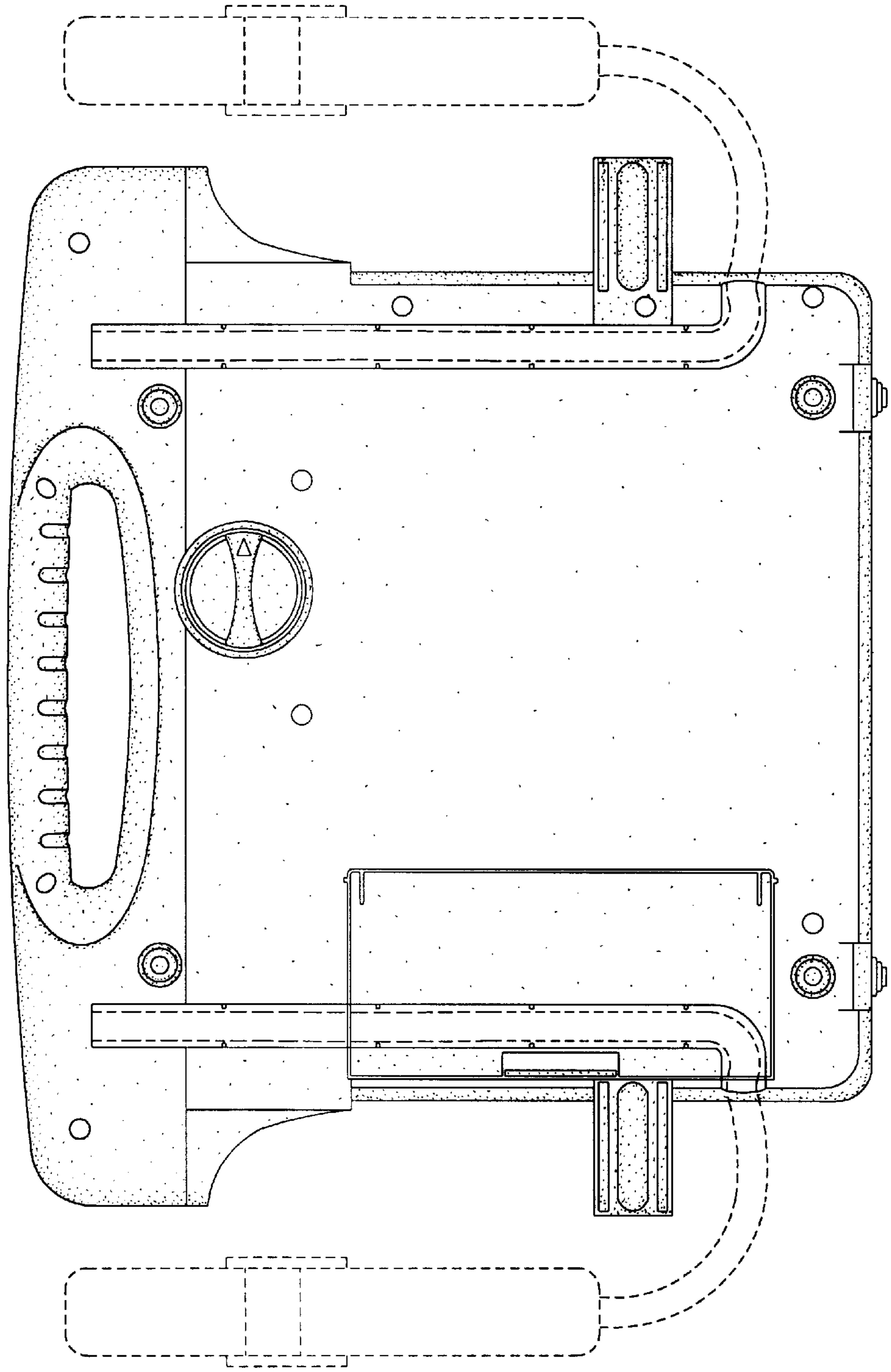


Fig. 4

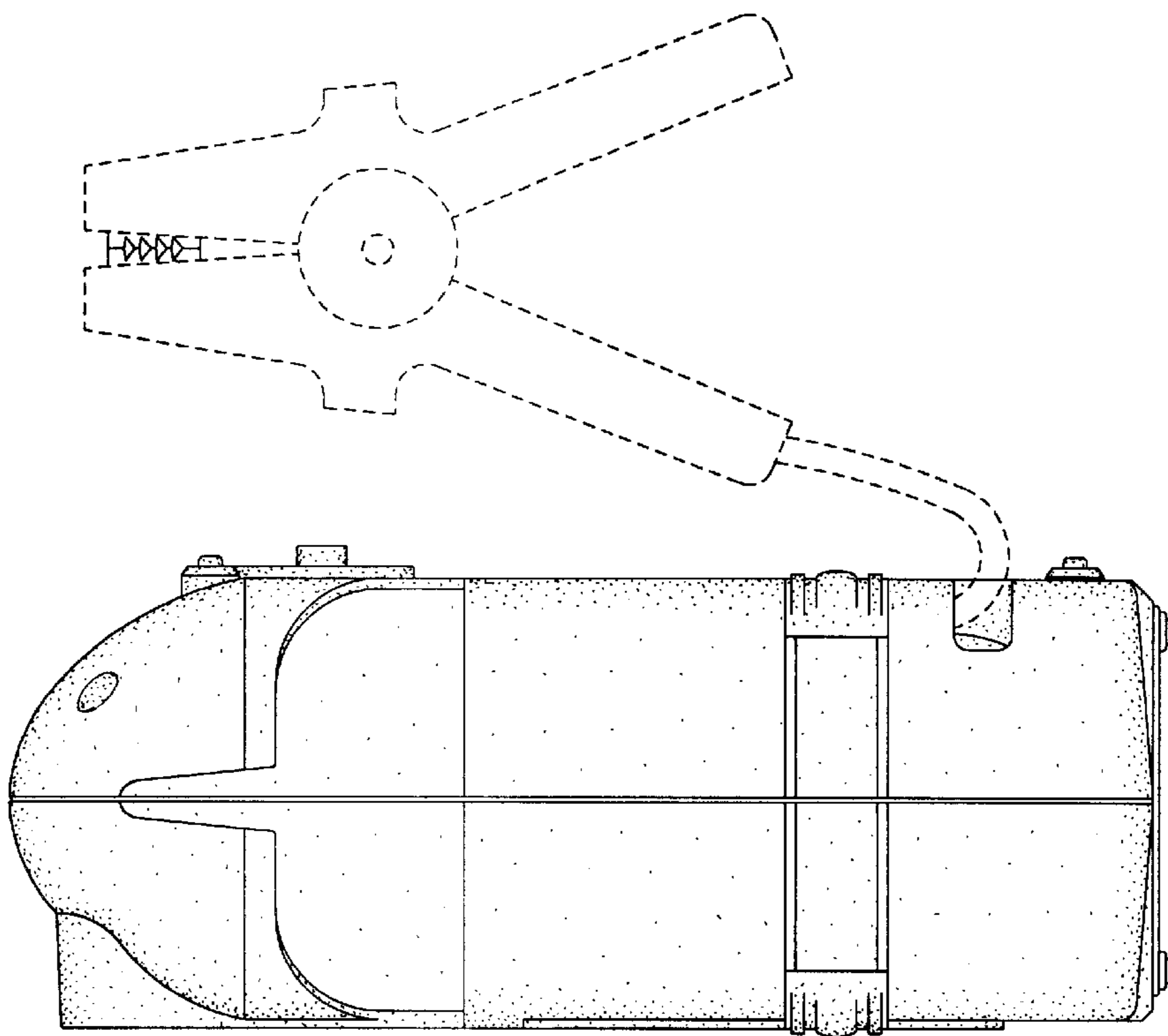


Fig. 3

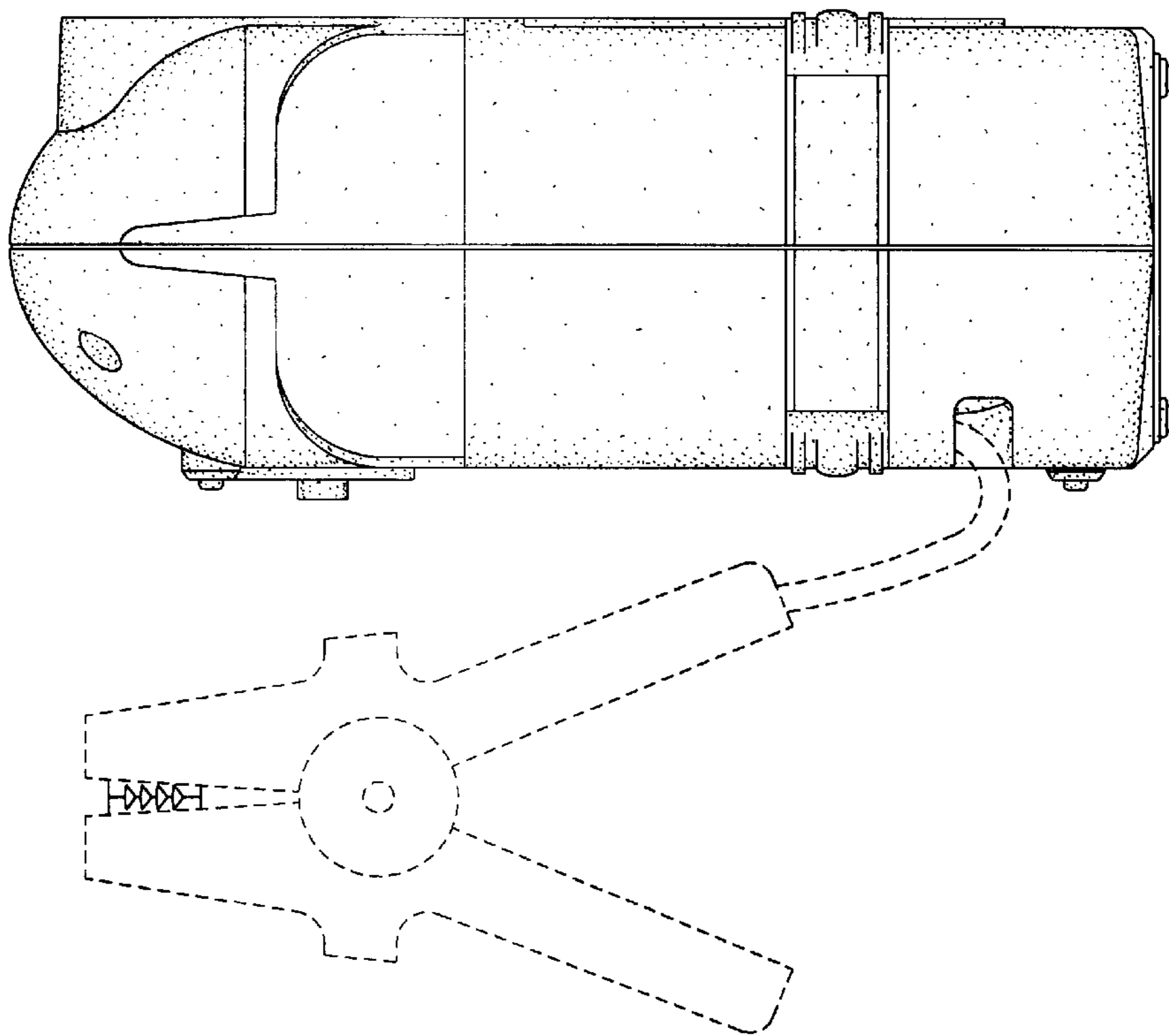


Fig. 5

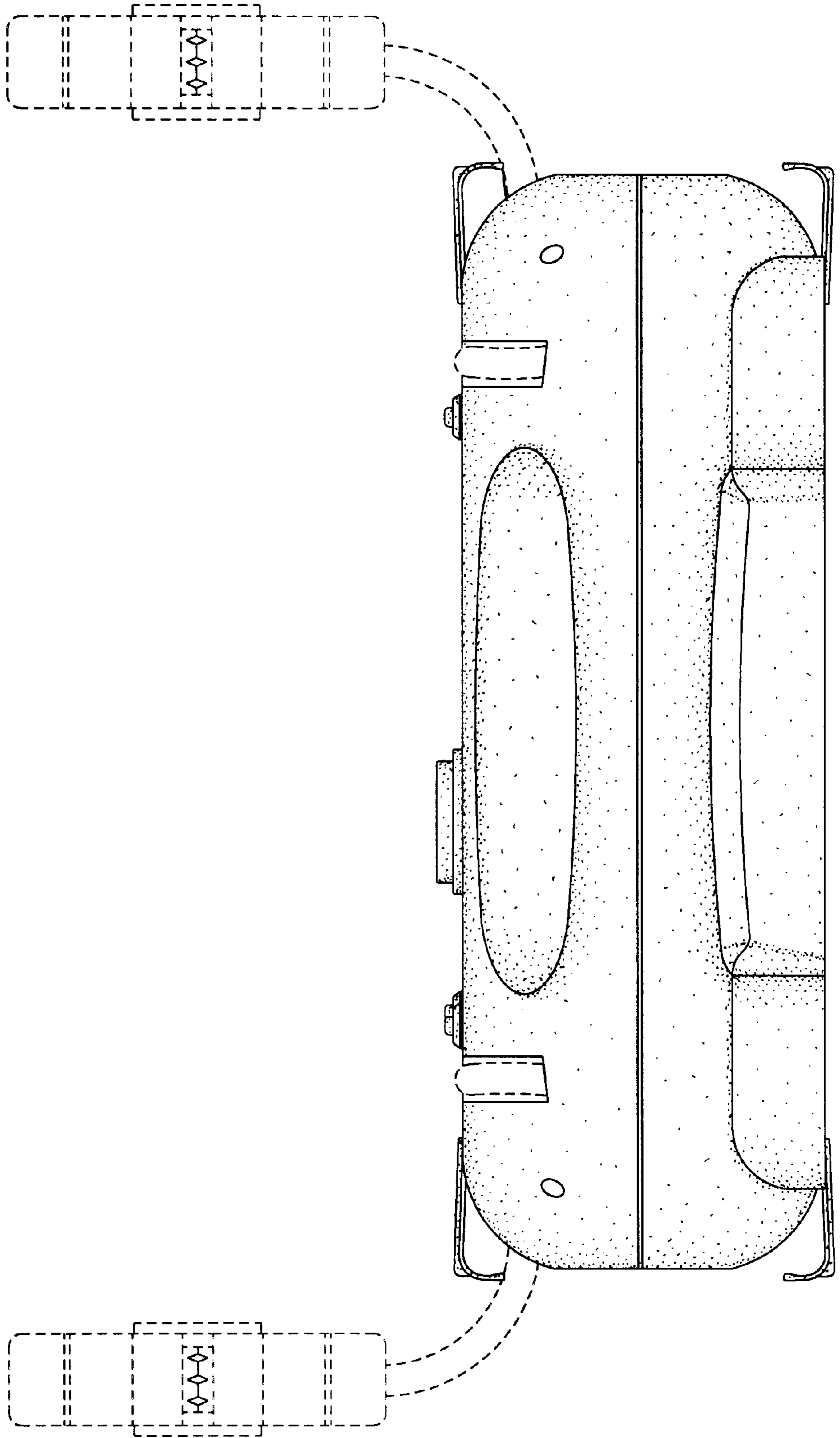


Fig. 6

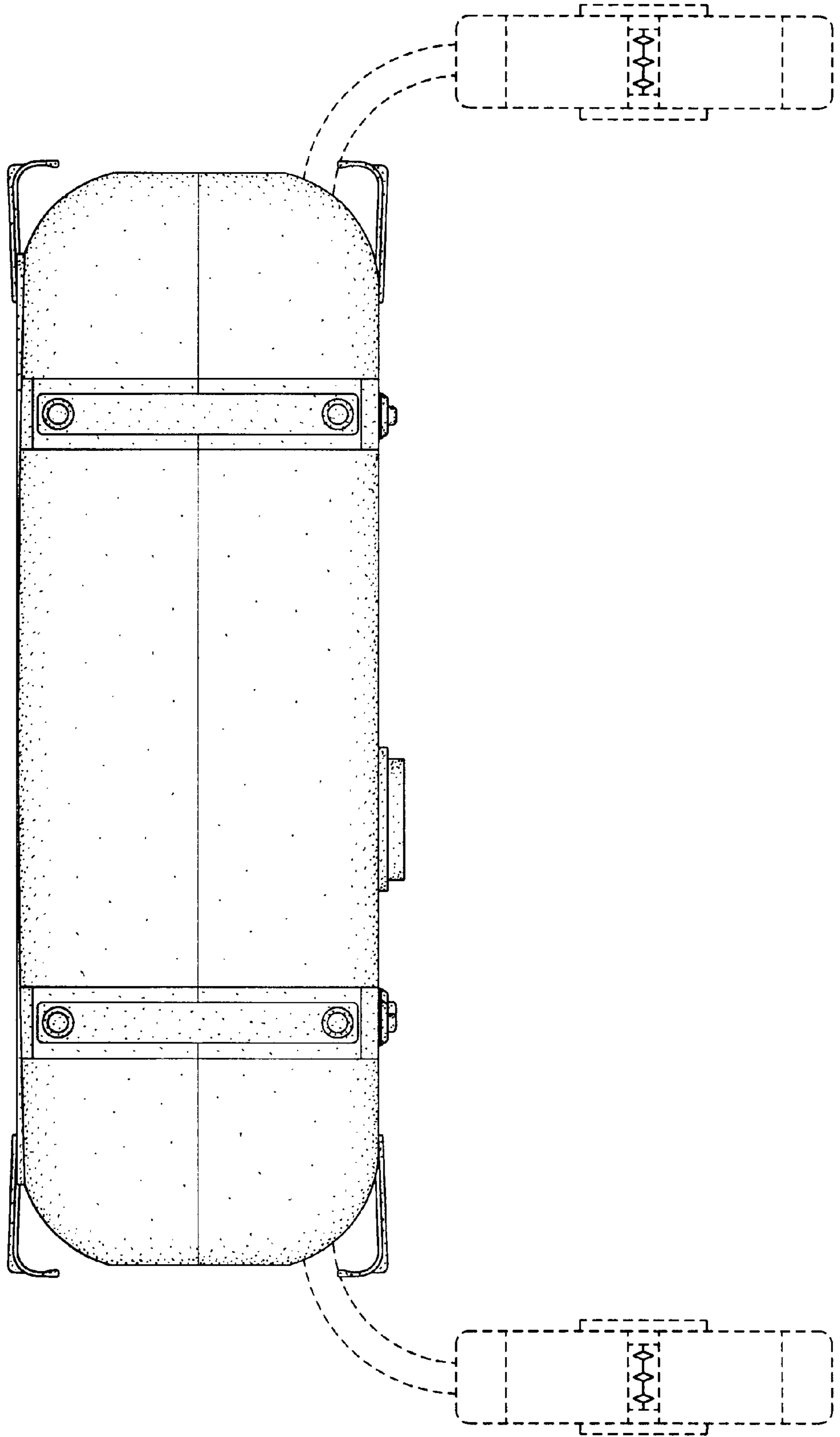


Fig. 7

