



US00D429476S

# United States Patent [19] Gehr

[11] **Patent Number: Des. 429,476**

[45] **Date of Patent: \*\* Aug. 15, 2000**

[54] **DUAL STROLLER**

[75] Inventor: **Glenn E. Gehr**, New Holland, Pa.

[73] Assignee: **Graco Children's Products, Inc.**, Elverson, Pa.

[\*\*] Term: **14 Years**

[21] Appl. No.: **29/095,529**

[22] Filed: **Oct. 26, 1998**

[51] **LOC (7) Cl.** ..... **12-12**

[52] **U.S. Cl.** ..... **D12/129**

[58] **Field of Search** ..... D12/128-133;  
280/642, 643, 644, 645, 647, 648, 47.38

[56] **References Cited**

**U.S. PATENT DOCUMENTS**

D. 307,249	4/1990	Yee et al.	.....	D12/129
D. 311,363	10/1990	Lin	.....	D12/129
D. 348,637	7/1994	Globerman et al.	.....	D12/129
D. 357,439	4/1995	Haut et al.	.....	D12/129
D. 362,832	10/1995	Haut et al.	.....	D12/129
D. 370,437	6/1996	Siesholtz et al.	.....	D12/129
D. 370,438	6/1996	Haut et al.	.....	D12/129
D. 382,516	8/1997	Hutchinson et al.	.....	D12/129
D. 382,837	8/1997	Haut et al.	.....	D12/129
D. 394,831	6/1998	Polak et al.	.....	D12/129
D. 398,884	9/1998	King et al.	.....	D12/129
4,725,071	2/1988	Shamie	.....	280/643
5,167,425	12/1992	Chen	.....	280/648
5,184,835	2/1993	Huang	.....	280/47.371
5,772,235	6/1998	Espenshade	.....	280/643
5,855,384	1/1999	Pike et al.	.....	270/47.38

**OTHER PUBLICATIONS**

Catalog page, Strollers; Graco Children's Products Inc., 51 South Pine Street, P. O. Box 100, Elverson, Pennsylvania 19520. Publication date 1991.

Catalog page, Strollers; Graco Children's Products Inc., 51 South Pine Street, P. O. Box 100, Elverson, Pennsylvania 19520. Publication date 1992.

P. 9, Strollers; Graco Children's Products Inc., 51 South Pine Street, P. O. Box 100, Elverson, Pennsylvania 19520. Publication date 1995.

Pp. 7, 8, 9, 10 and 16, Strollers; Graco Children's Products Inc., 51 South Pine Street, P. O. Box 100, Elverson, Pennsylvania 19520. Publication date 1996.

*Primary Examiner*—Kay H. Chin  
*Attorney, Agent, or Firm*—Foley & Lardner

[57] **CLAIM**

The ornamental design for a dual stroller, as shown and described.

**DESCRIPTION**

FIG. 1 is a top right front perspective view of a dual stroller showing my new design;

FIG. 2 is a right side elevational view thereof;

FIG. 3 is a left side elevational view thereof;

FIG. 4 is a rear elevational view thereof;

FIG. 5 is a top plan view thereof;

FIG. 6 is a front elevational view thereof;

FIG. 7 is a bottom plan view thereof;

FIG. 8 shows the top right front perspective view of the dual stroller of FIG. 1 carrying two infant carriers;

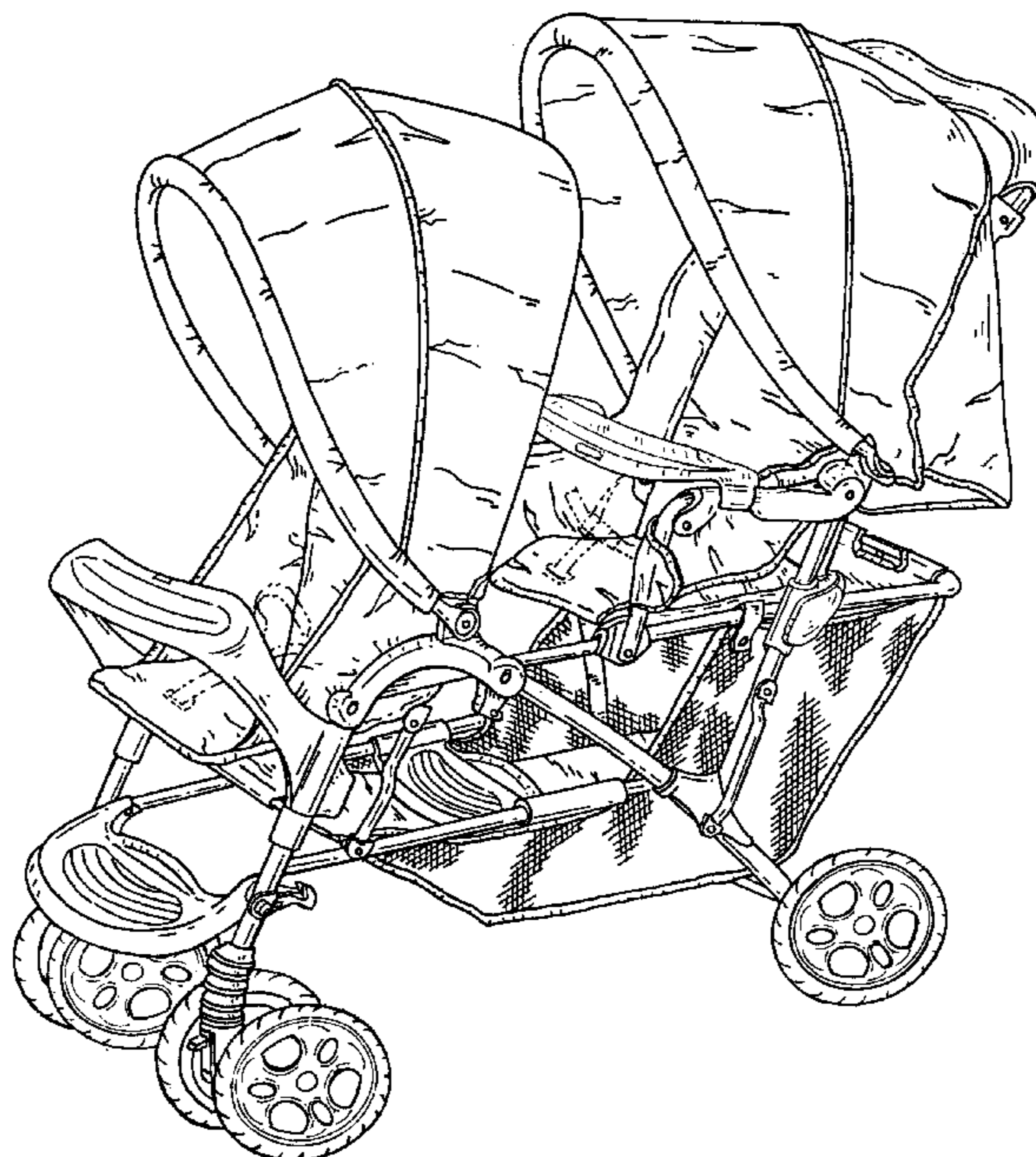
FIG. 9 shows the top plan view of FIG. 5 carrying the infant carriers;

FIG. 10 shows the right side elevational view of FIG. 2 carrying the infant carriers;

FIG. 11 shows the left side elevational view of FIG. 3 carrying the infant carriers; and,

FIG. 12 shows the front elevational view of FIG. 6 carrying the infant carrier.

**1 Claim, 12 Drawing Sheets**



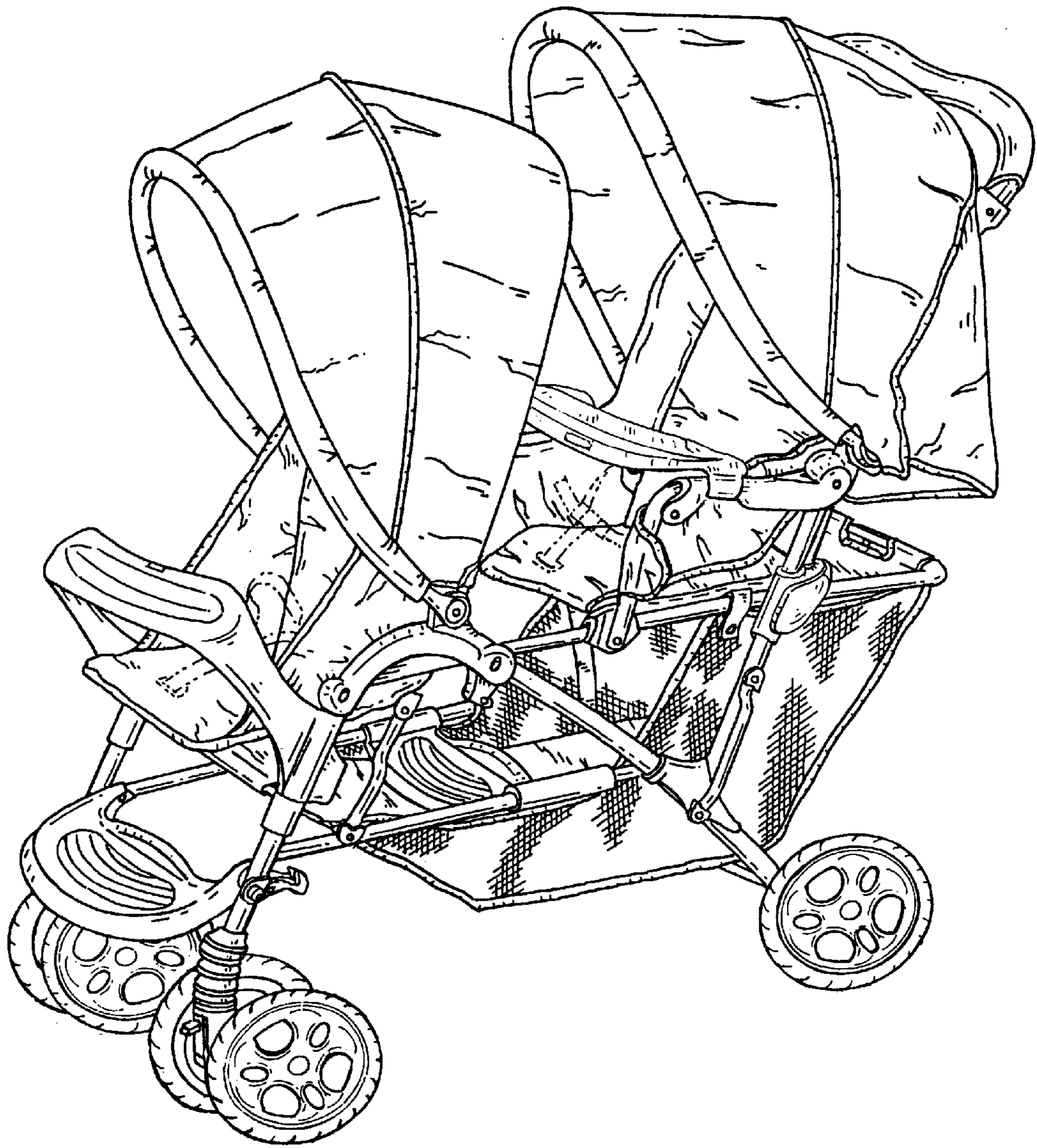


FIG. 1

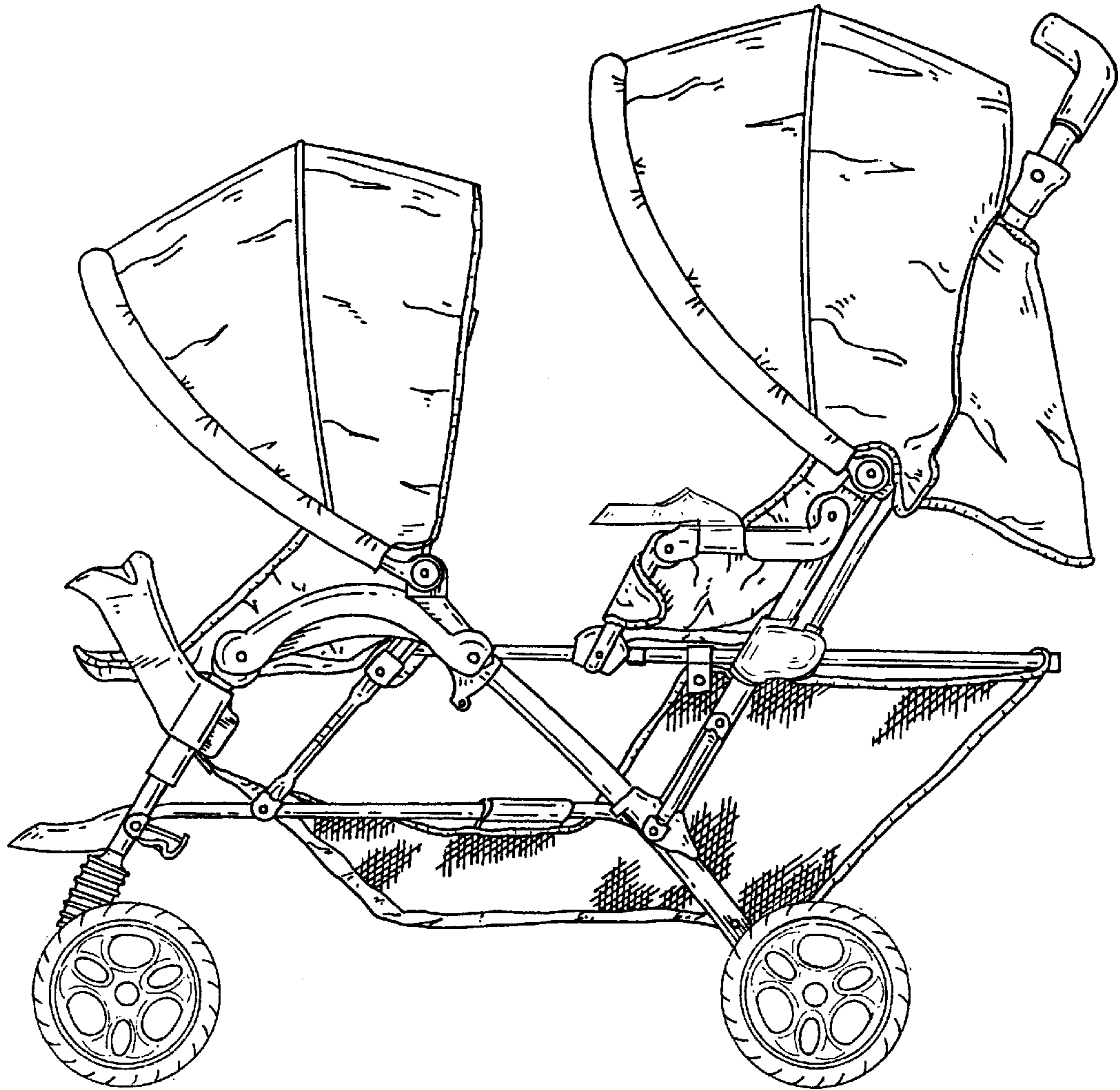


FIG. 2

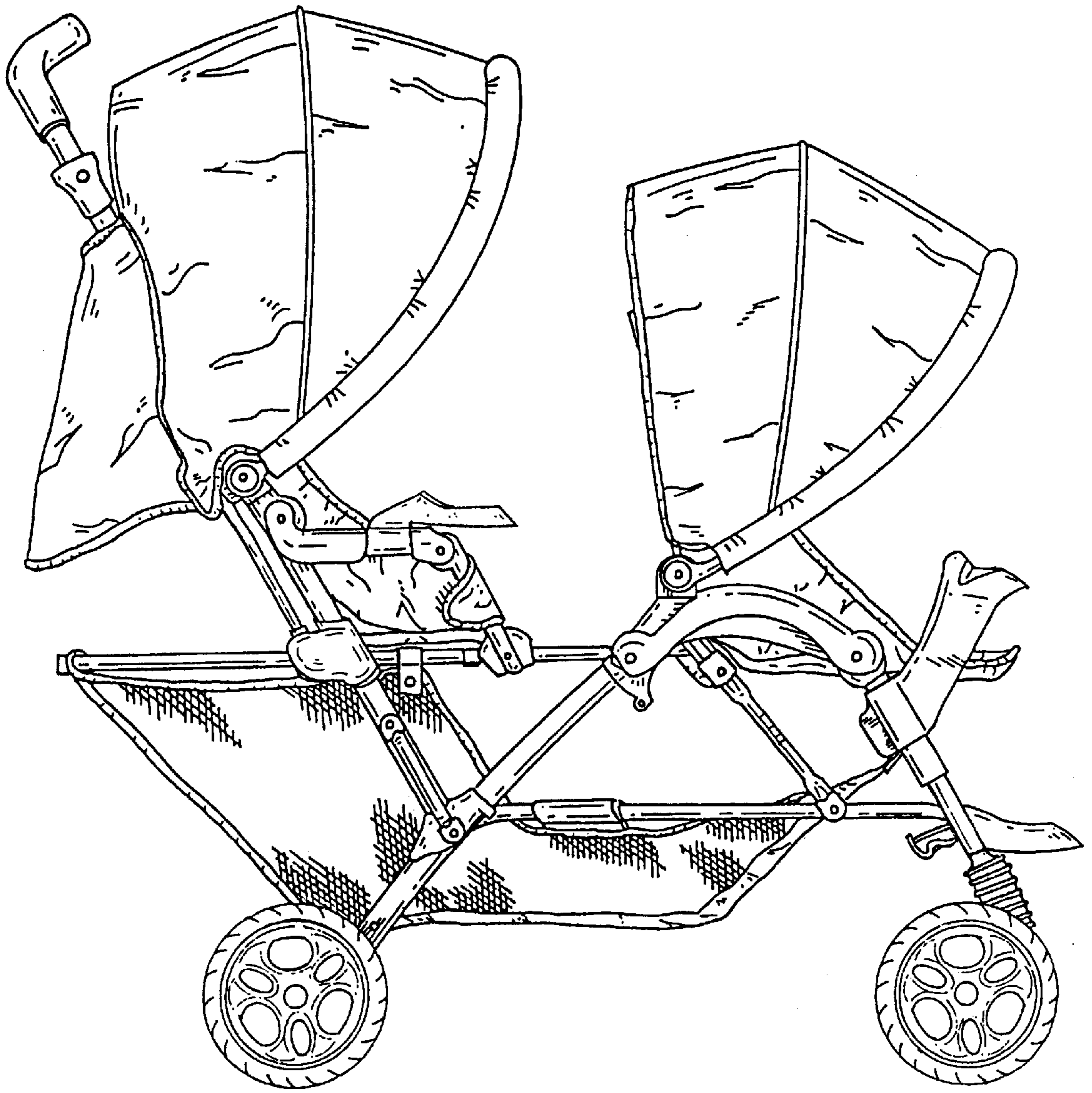


FIG. 3

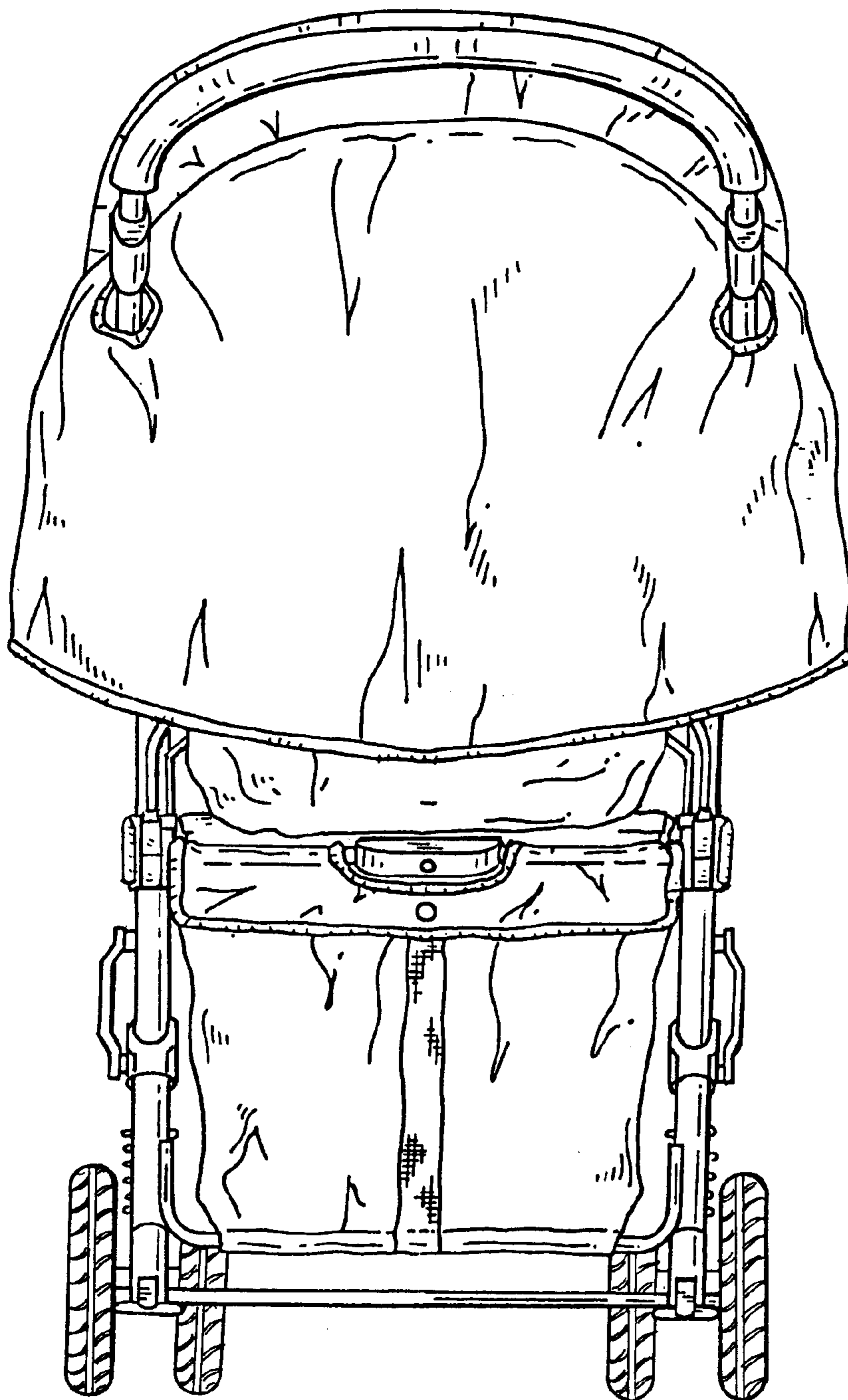


FIG. 4

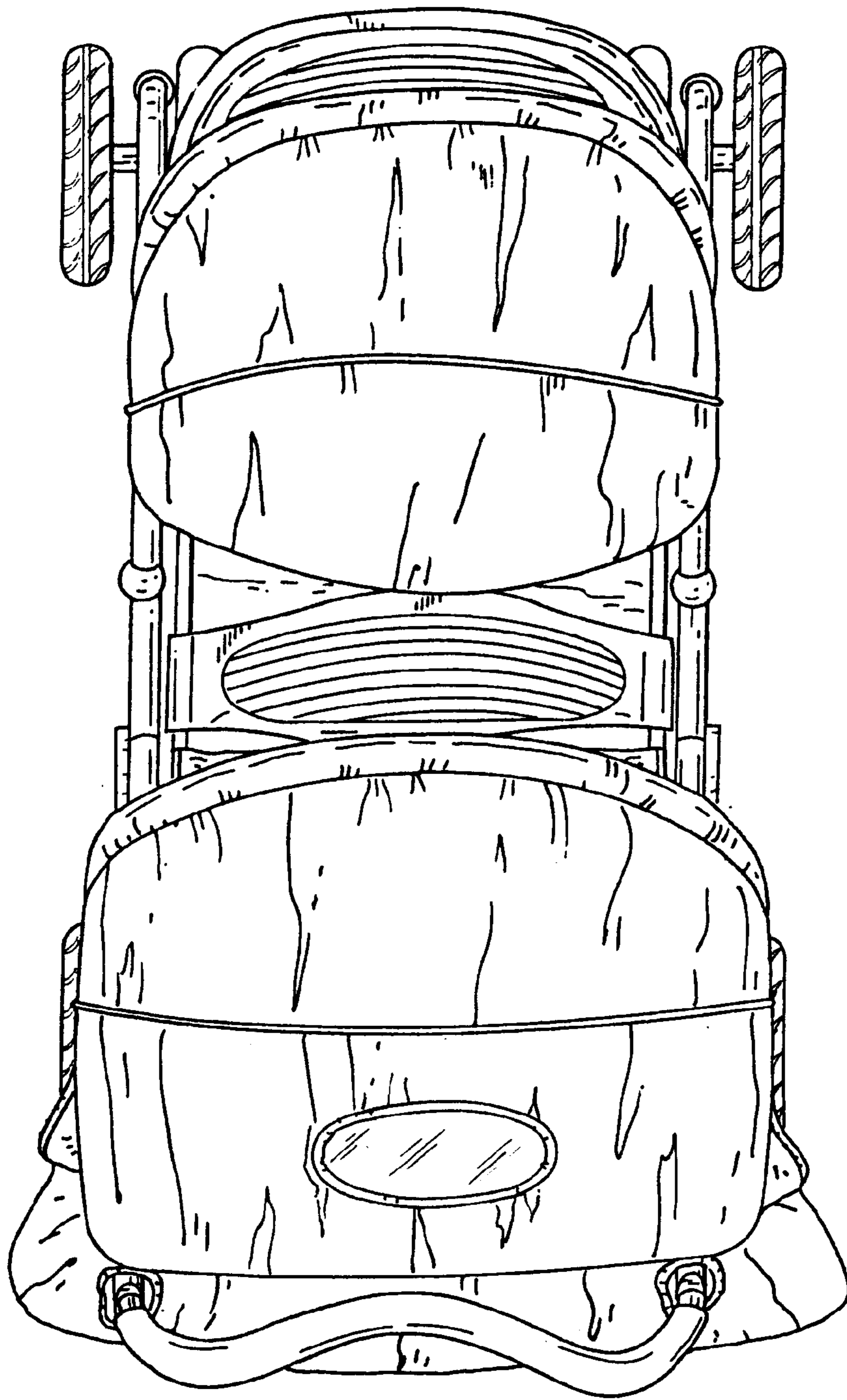


FIG. 5

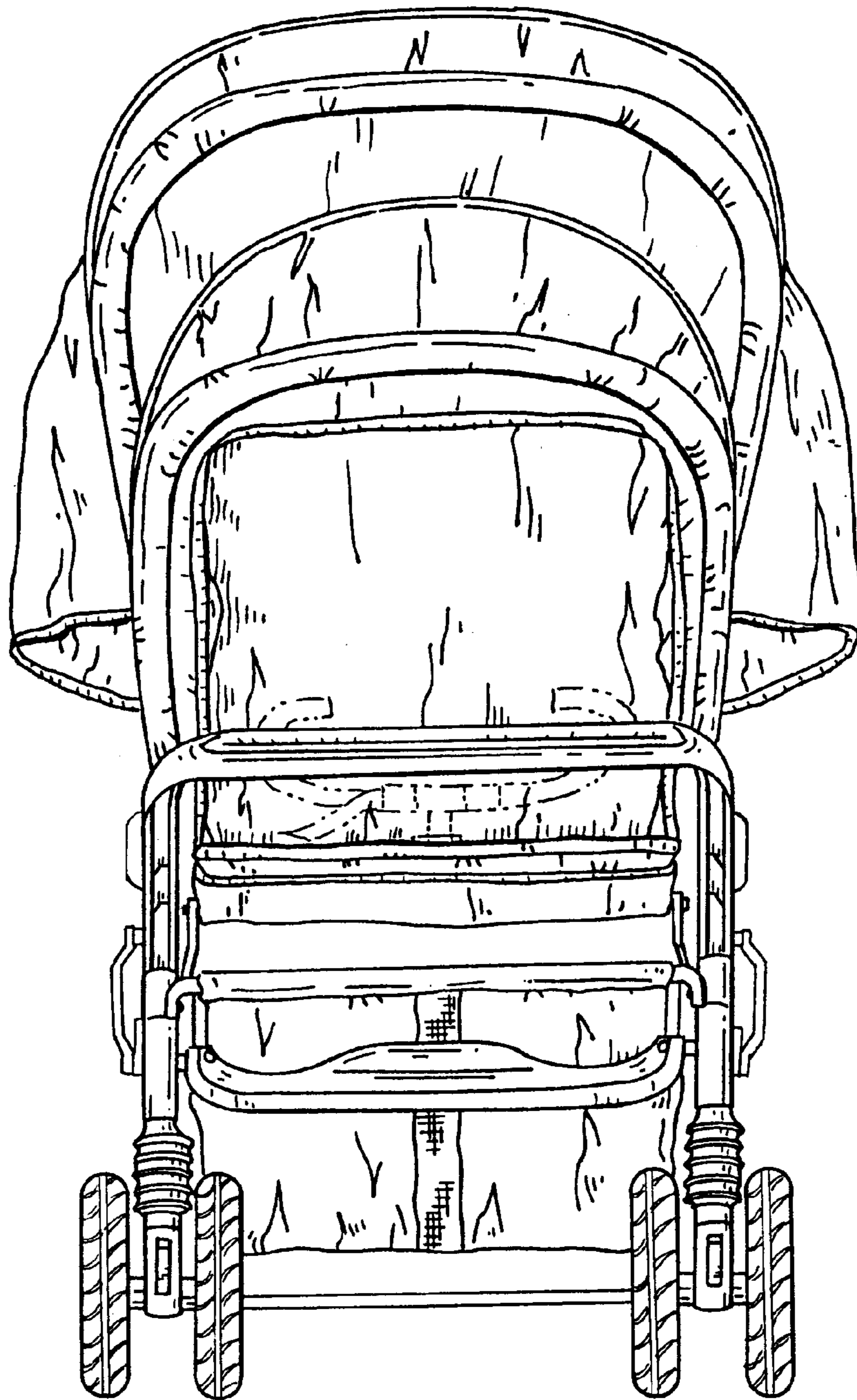


FIG. 6

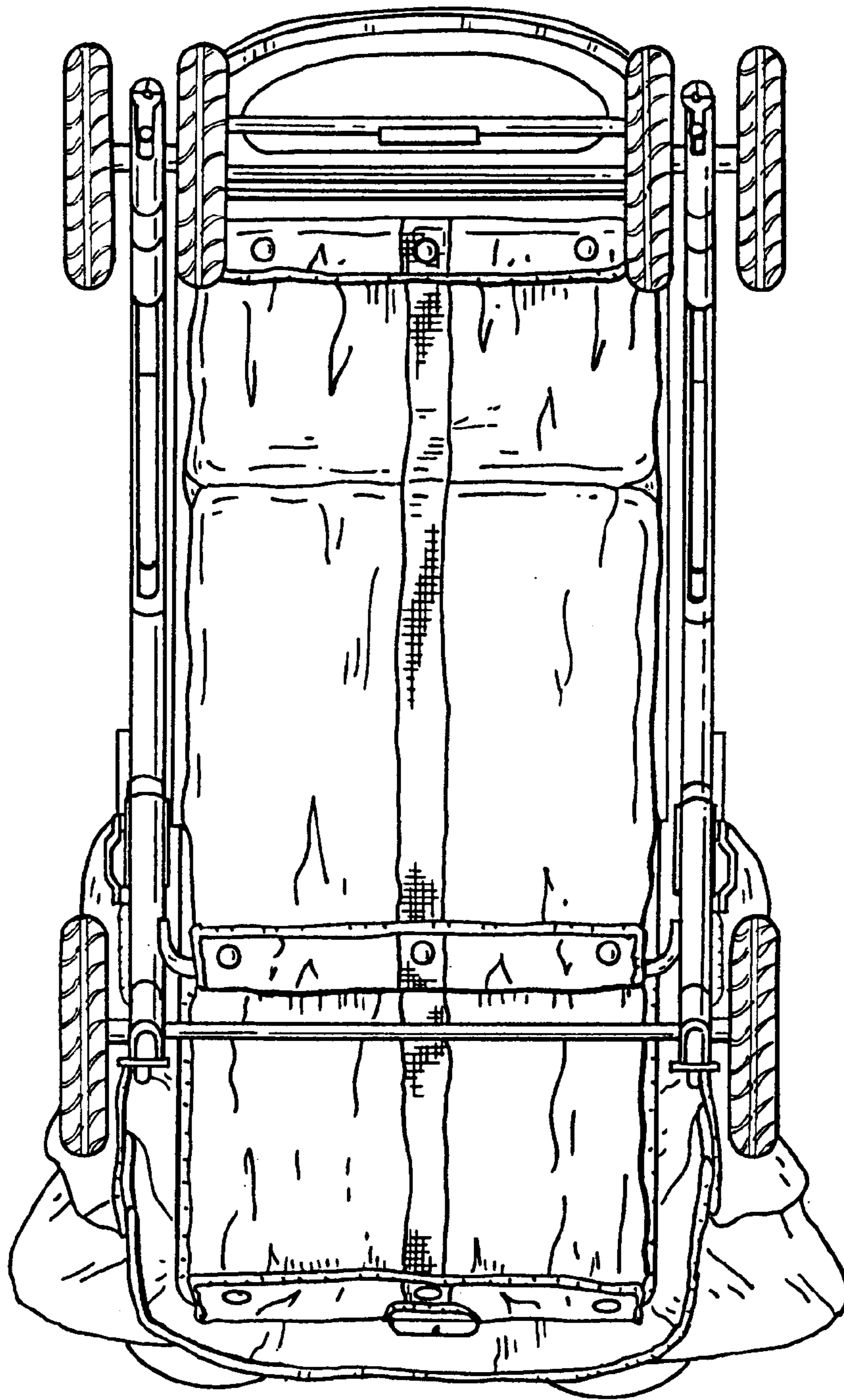


FIG. 7



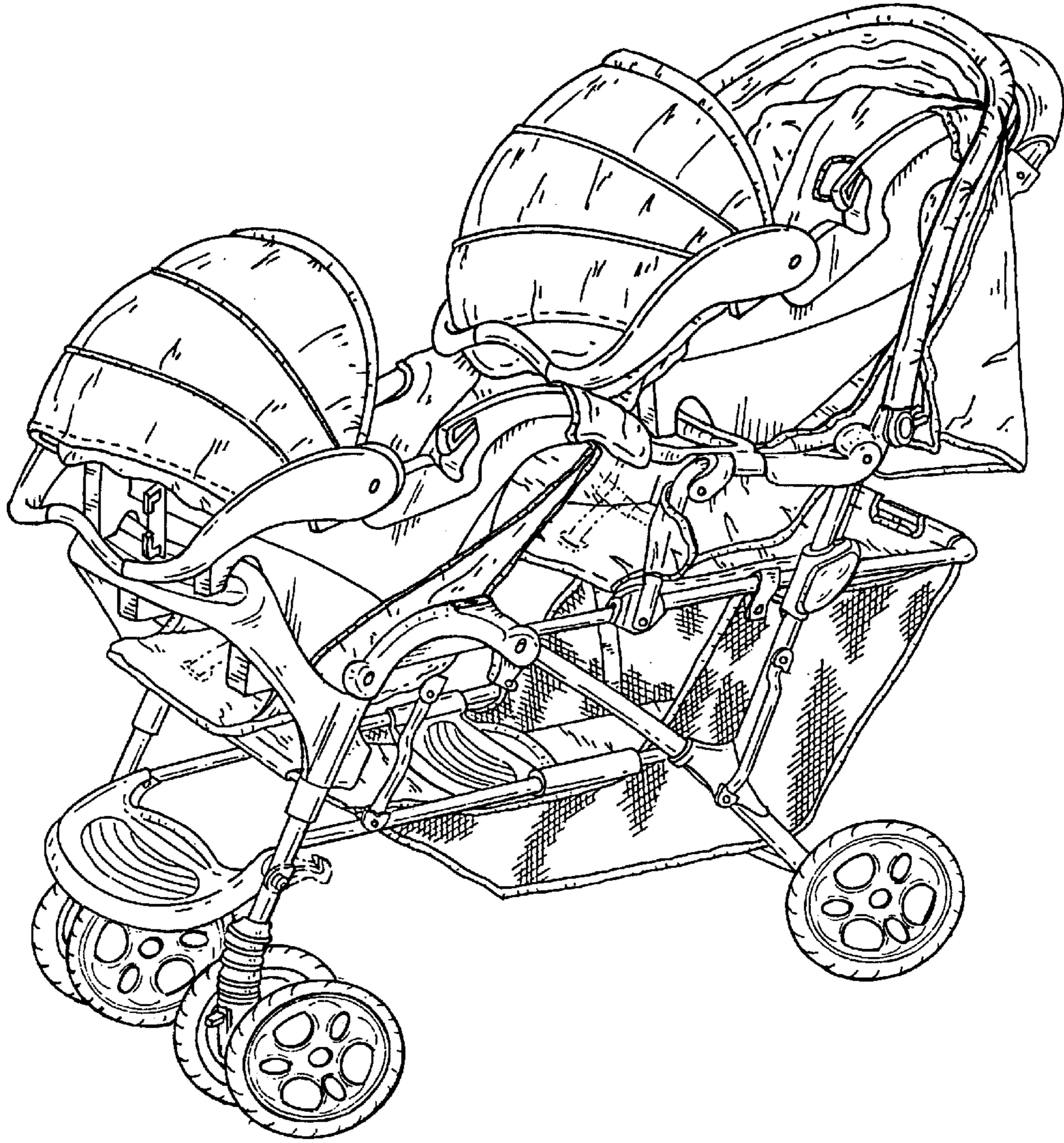


FIG. 8

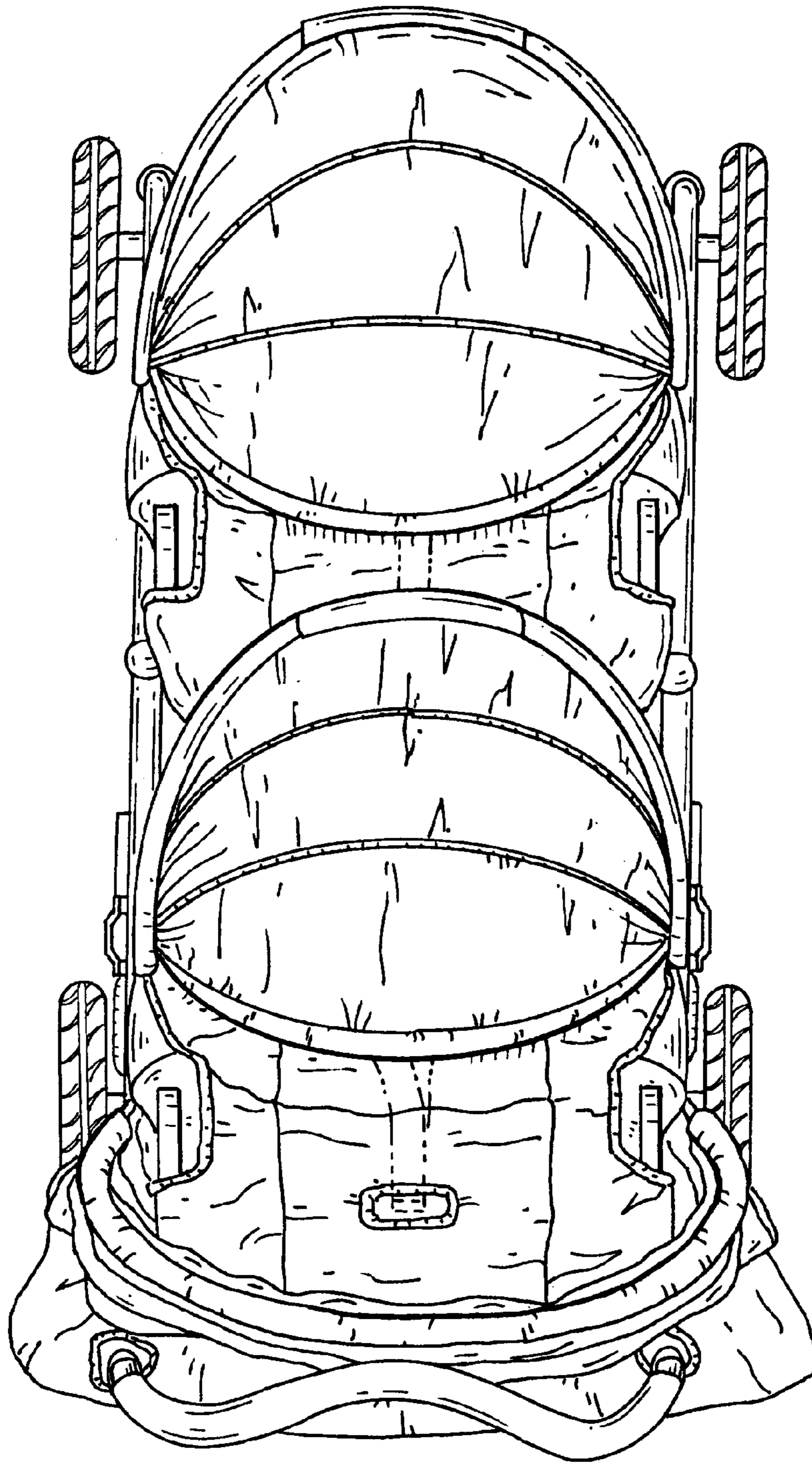


FIG. 9



FIG.10



FIG. 11

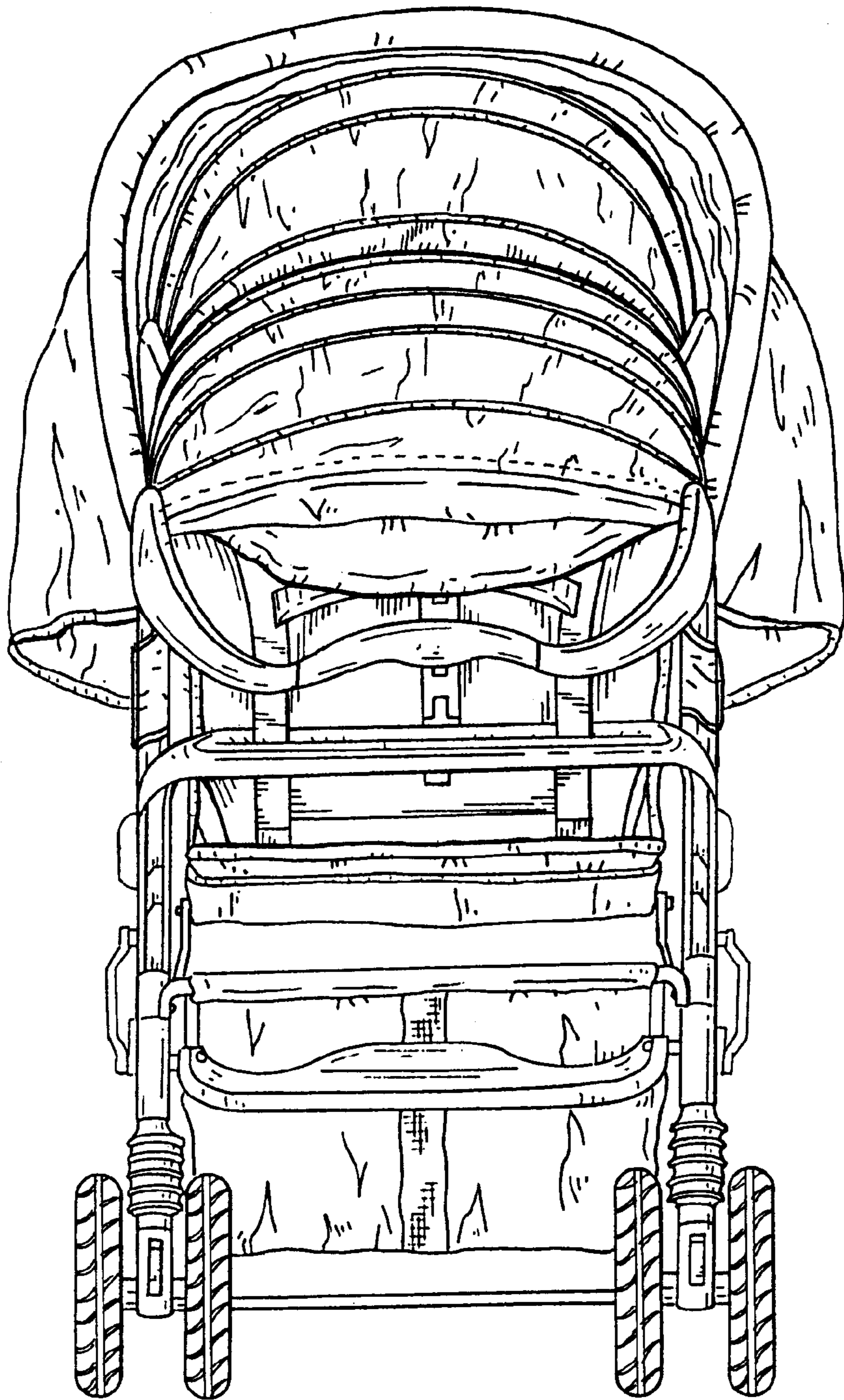


FIG. 12