



US00D429474S

United States Patent [19] Stein

[11] Patent Number: Des. 429,474

[45] Date of Patent: ** Aug. 15, 2000

[54] PENDENT

[75] Inventor: Paul-Henri Stein, Lyons, France

[73] Assignee: Wolodia, Lyons, France

[**] Term: 14 Years

[21] Appl. No.: 29/109,643

[22] Filed: Aug. 19, 1999

[51] LOC (7) Cl. 11-01

[52] U.S. Cl. D11/79

[58] Field of Search D11/1, 2, 7, 40,
D11/41, 42, 43, 44, 45, 79, 95, 96, 97,
98, 99, 103; 63/1.1, 2, 20

[56] **References Cited**

U.S. PATENT DOCUMENTS

D. 218,192 7/1970 Mechanic D11/56

D. 415,446 10/1999 Katten D11/79

Primary Examiner—Ralf Seifert
Attorney, Agent, or Firm—Jacobson, Price, Holman & Stern, PLLC

[57] **CLAIM**

The ornamental design for a pendent, as shown and described.

DESCRIPTION

FIG. 1 is a front perspective view showing my new design for a pendent,

FIG. 2 is a rear perspective view thereof;

FIG. 3 is a front view thereof;

FIG. 4 is a rear view thereof, with the precious or semi-precious stones altered in position along an annulus defined by the spaced concentric rings;

FIG. 5 is a left side view thereof;

FIG. 6 is a right side view thereof;

FIG. 7 is a top view thereof; and,

FIG. 8 is a bottom view thereof.

1 Claim, 2 Drawing Sheets

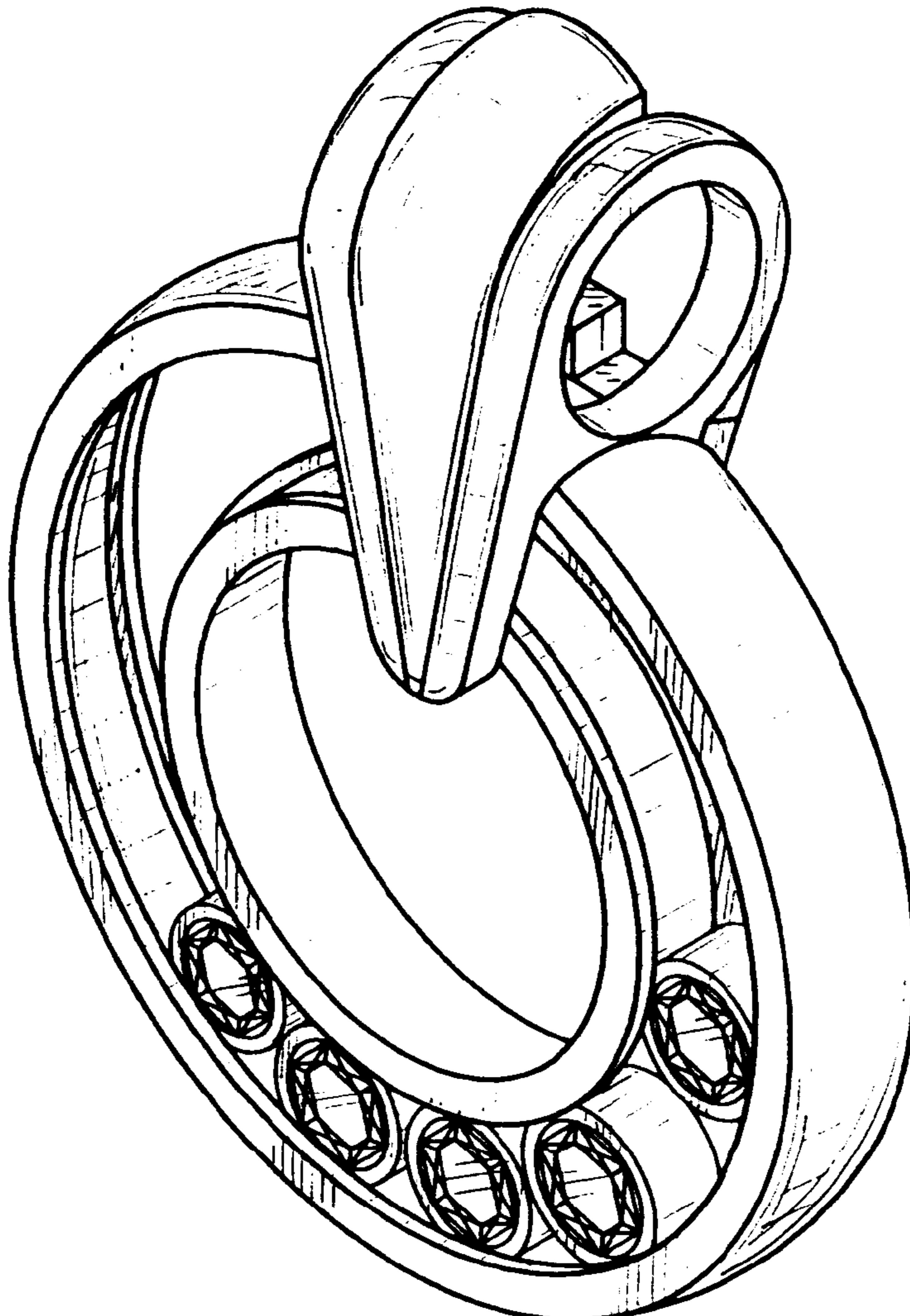


FIG. 1

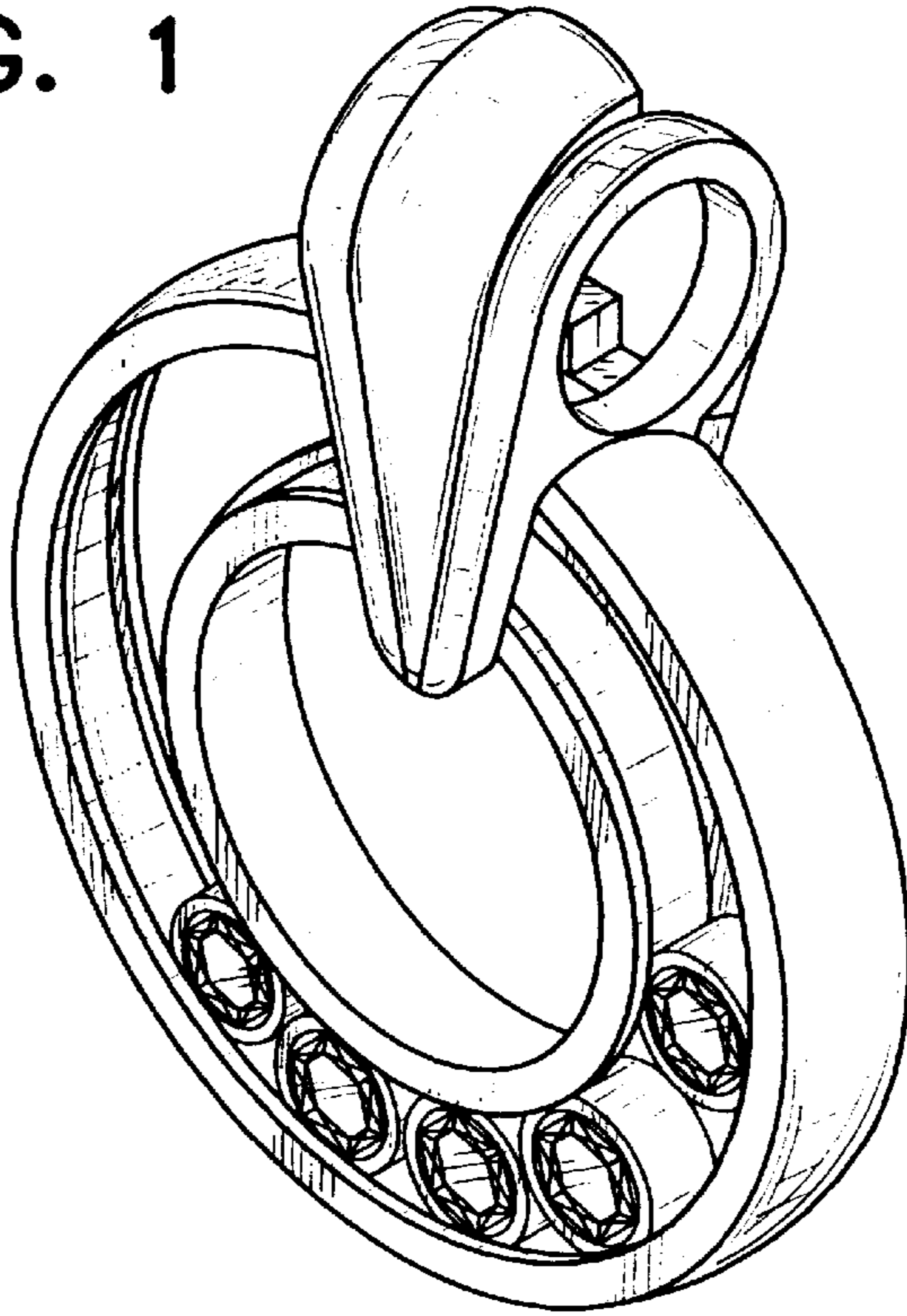


FIG. 2

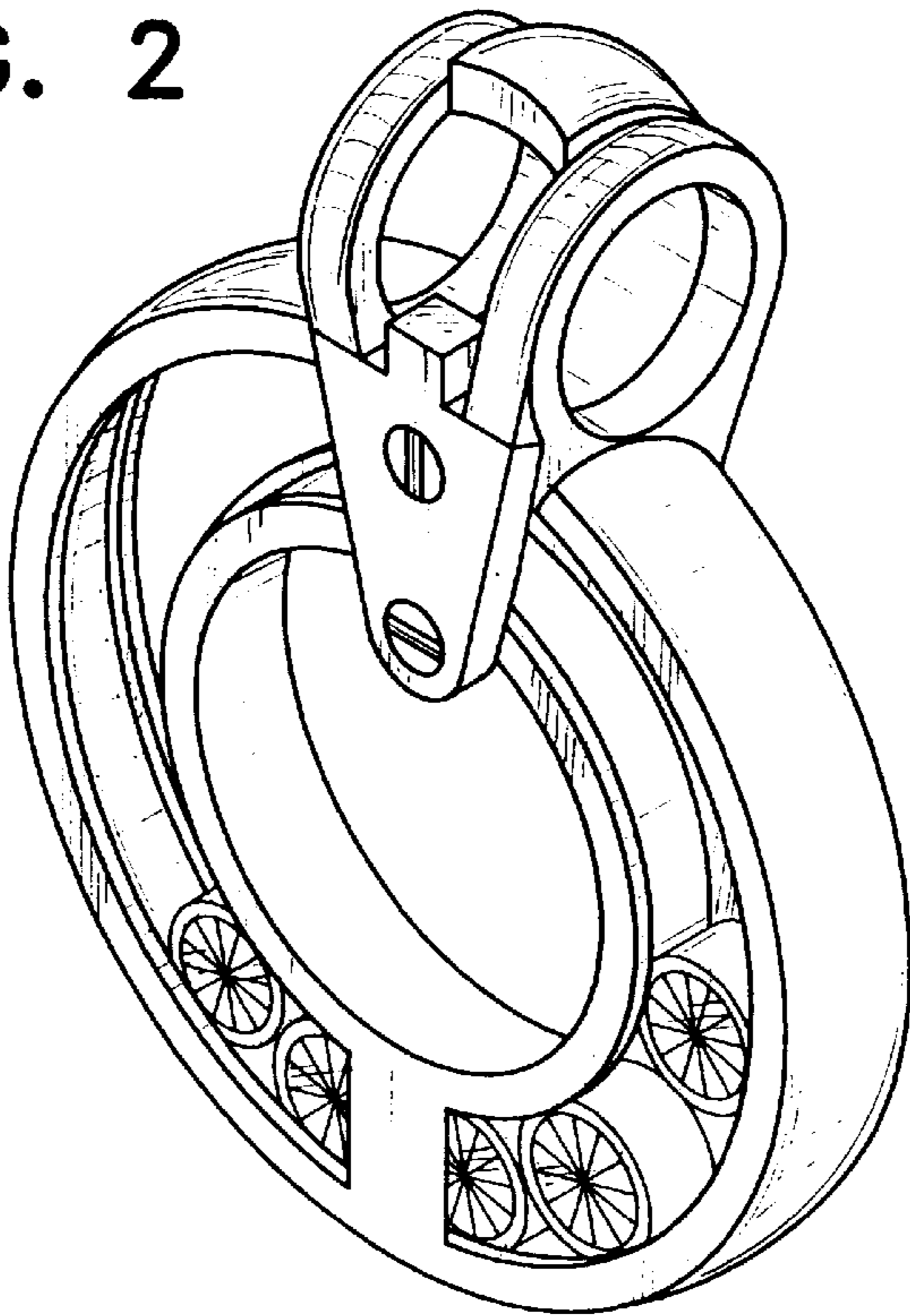


FIG. 3

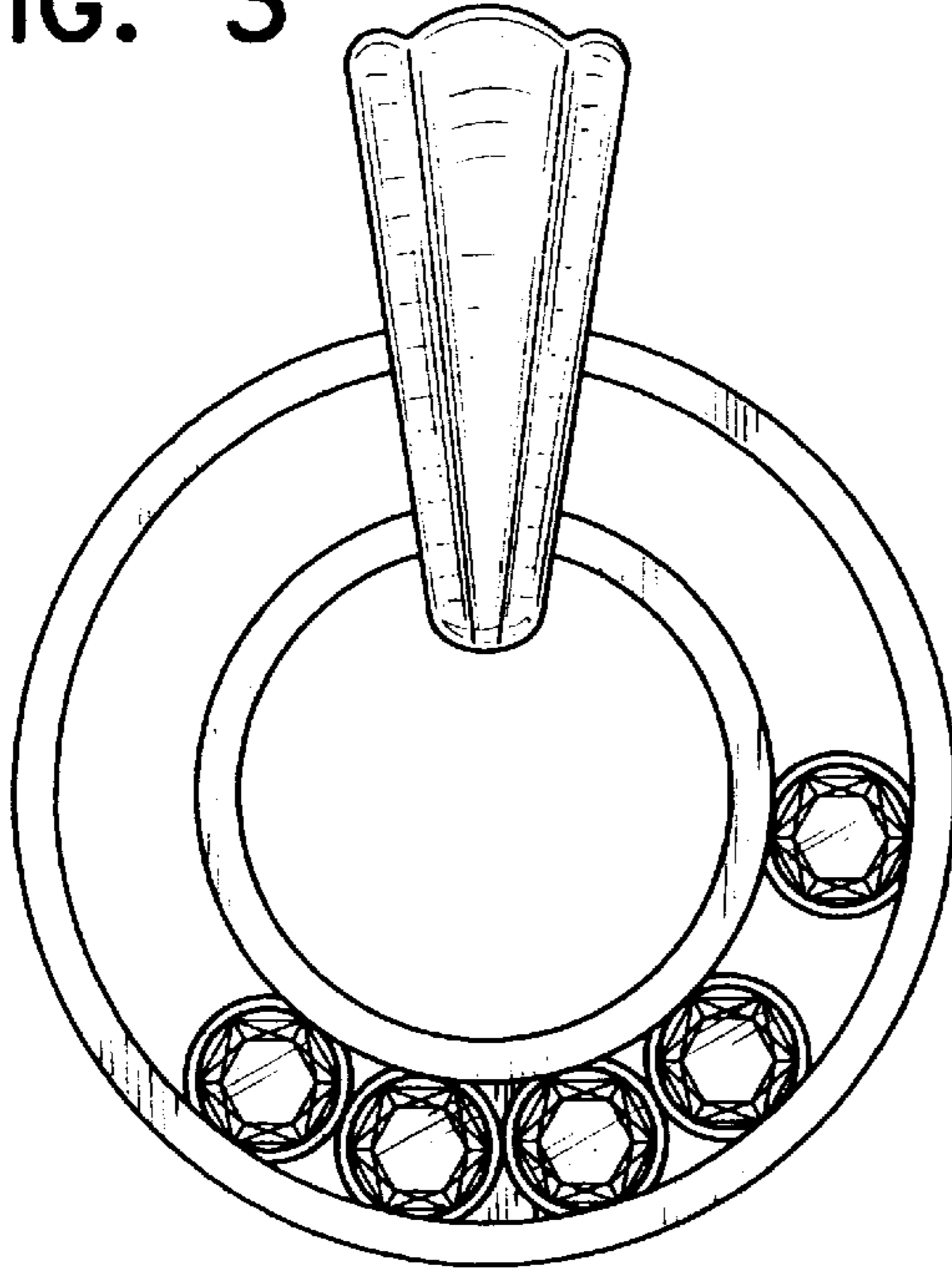


FIG. 4

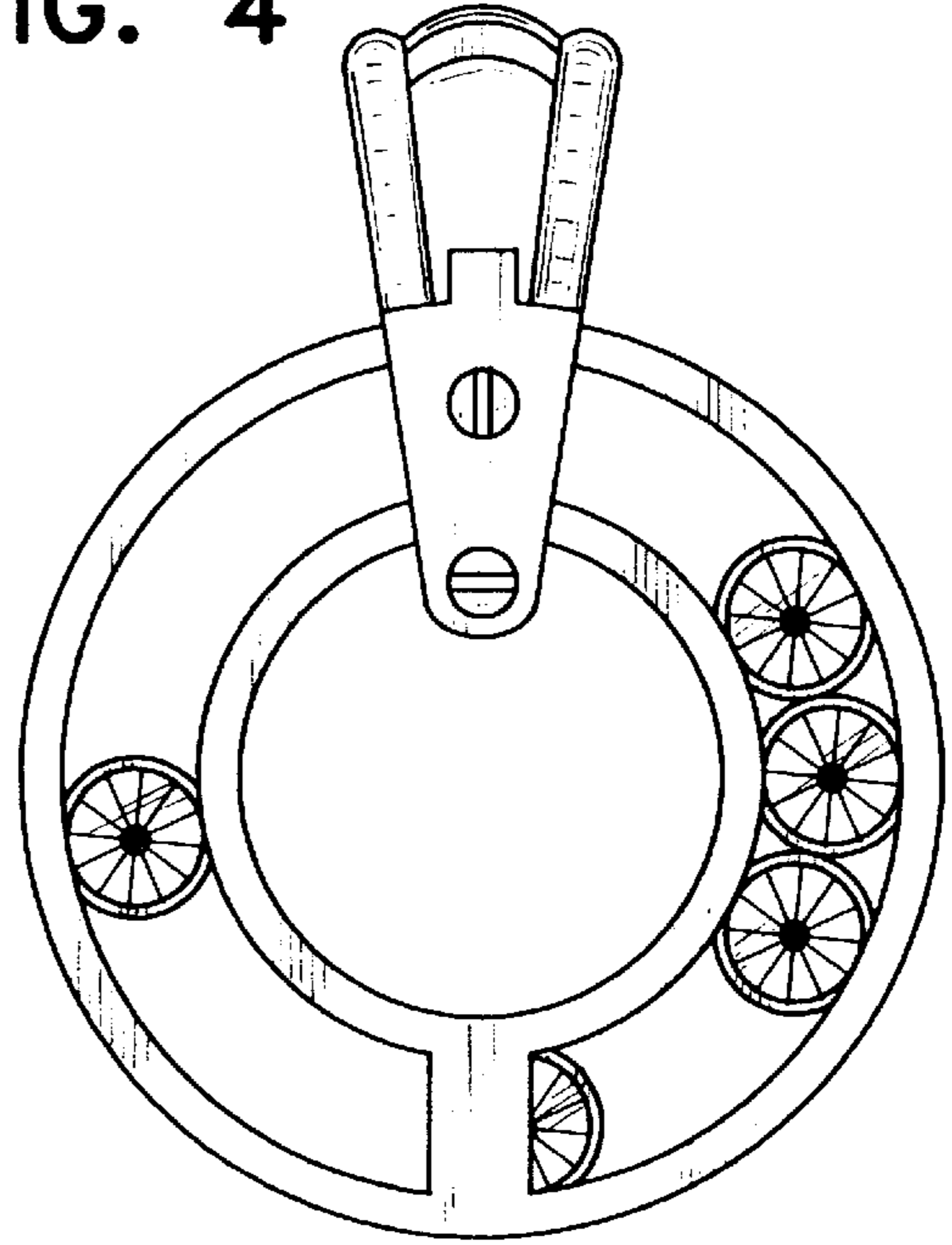


FIG. 5

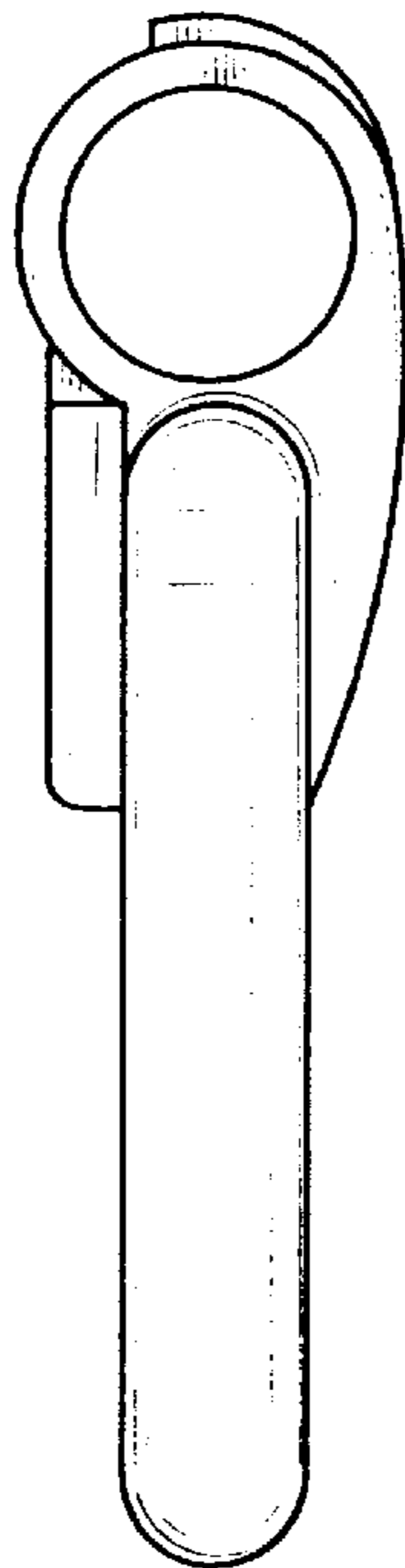


FIG. 6

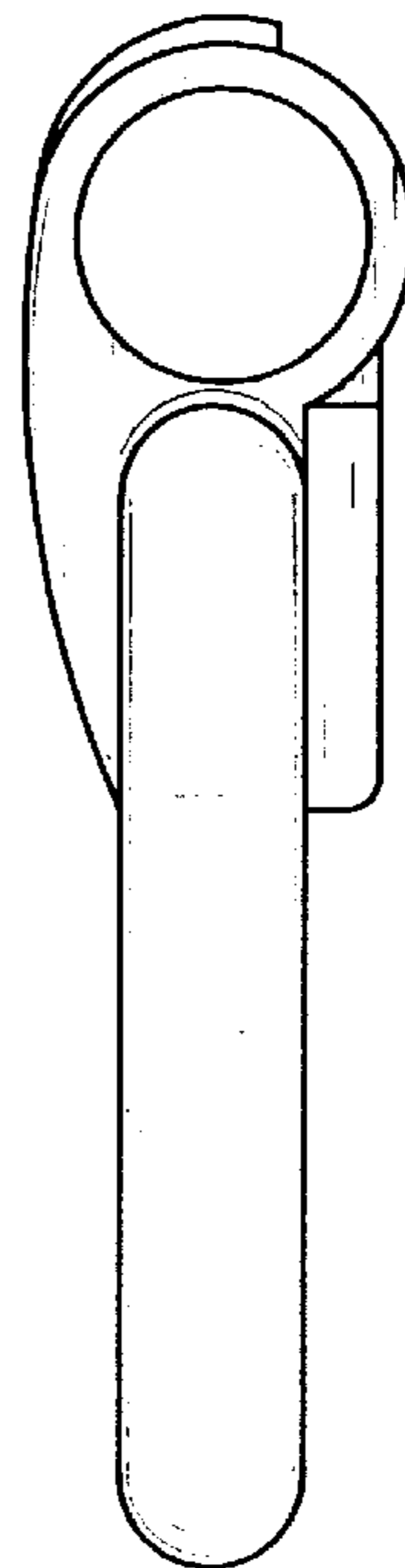


FIG. 7

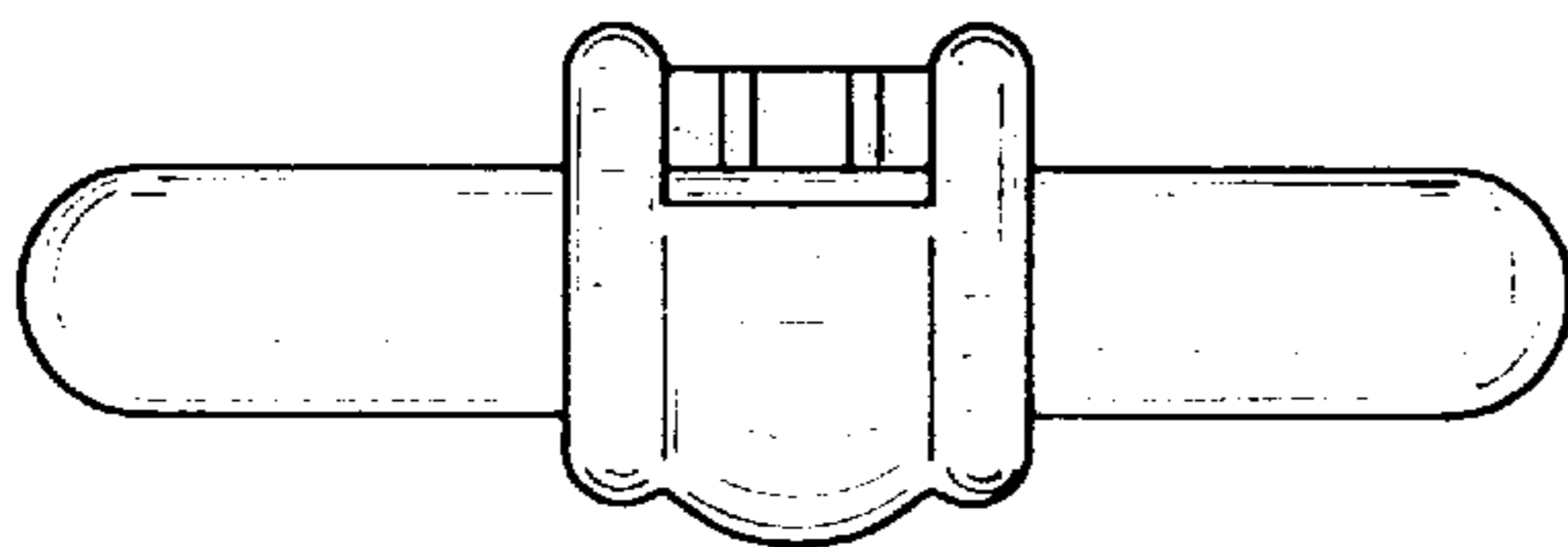


FIG. 8

