



US00D429473S

United States Patent [19]
Watanabe

[11] **Patent Number: Des. 429,473**

[45] **Date of Patent: ** Aug. 15, 2000**

[54] **BUZZER**

[75] Inventor: **Keita Watanabe**, Fujiyoshida, Japan

[73] Assignee: **Citizen Electronics Co., Ltd.**,
Fujiyoshida, Japan

[**] Term: **14 Years**

[21] Appl. No.: **29/114,912**

[22] Filed: **Dec. 6, 1999**

[30] **Foreign Application Priority Data**

Jun. 4, 1999 [JP] Japan 11-14511

[51] **LOC (7) Cl.** **10-05**

[52] **U.S. Cl.** **D10/116**

[58] **Field of Search** D10/104, 106,
D10/116, 121; 340/384.1, 384.3, 384.7,
388.1, 390.1, 391.1, 392.1, 392.2

[56] **References Cited**

U.S. PATENT DOCUMENTS

D. 254,729 4/1980 Mitumori D10/116

D. 297,519 9/1988 Shimaya D10/116
D. 401,590 11/1998 Tajima et al. D10/116
D. 410,211 5/1999 Murano D10/116

Primary Examiner—Marcus A. Jackson
Attorney, Agent, or Firm—Dennison, Scheiner, Schultz &
Wakeman

[57] **CLAIM**

The ornamental design for a buzzer, as shown and described.

DESCRIPTION

FIG. 1 is a top view of a buzzer embodying my new design;
FIG. 2 is a front view thereof;
FIG. 3 is a bottom view thereof;
FIG. 4 is a rear view thereof;
FIG. 5 is a right side view thereof;
FIG. 6 is a left side view thereof;
FIG. 7 is a perspective view as viewed from the upper side
thereof; and,
FIG. 8 is a perspective view as viewed from the lower side
thereof.

1 Claim, 5 Drawing Sheets

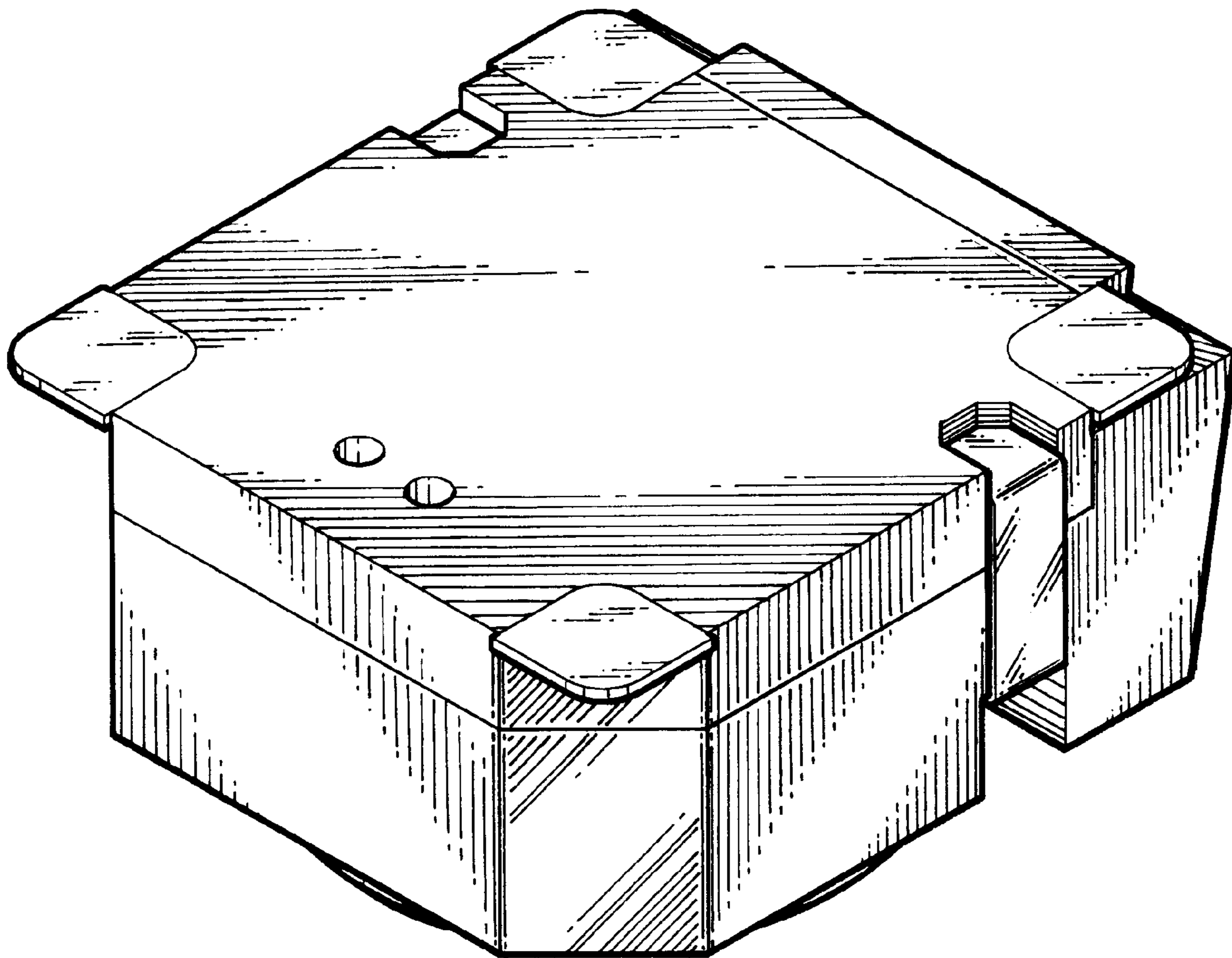


FIG. 1

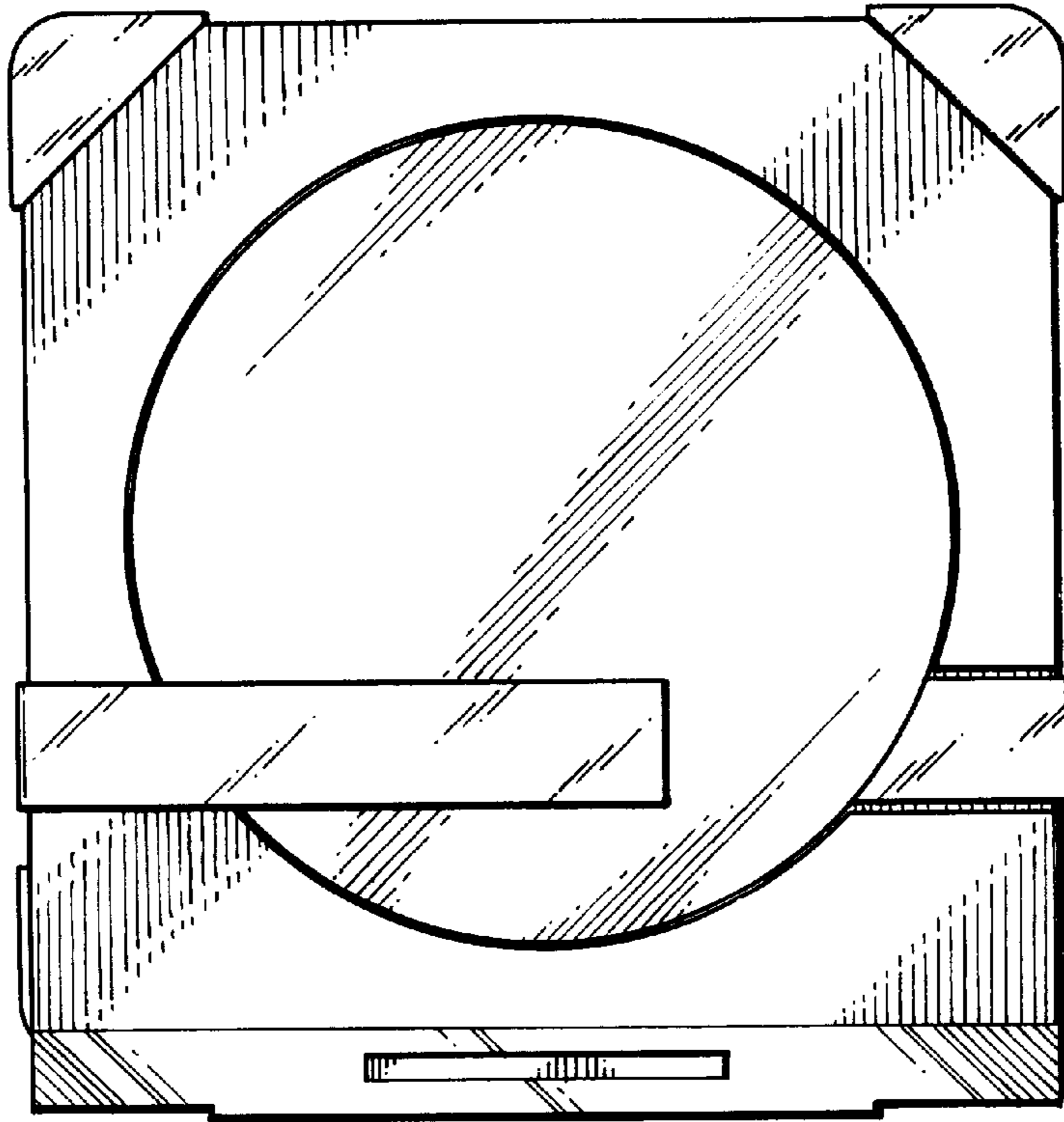


FIG. 2

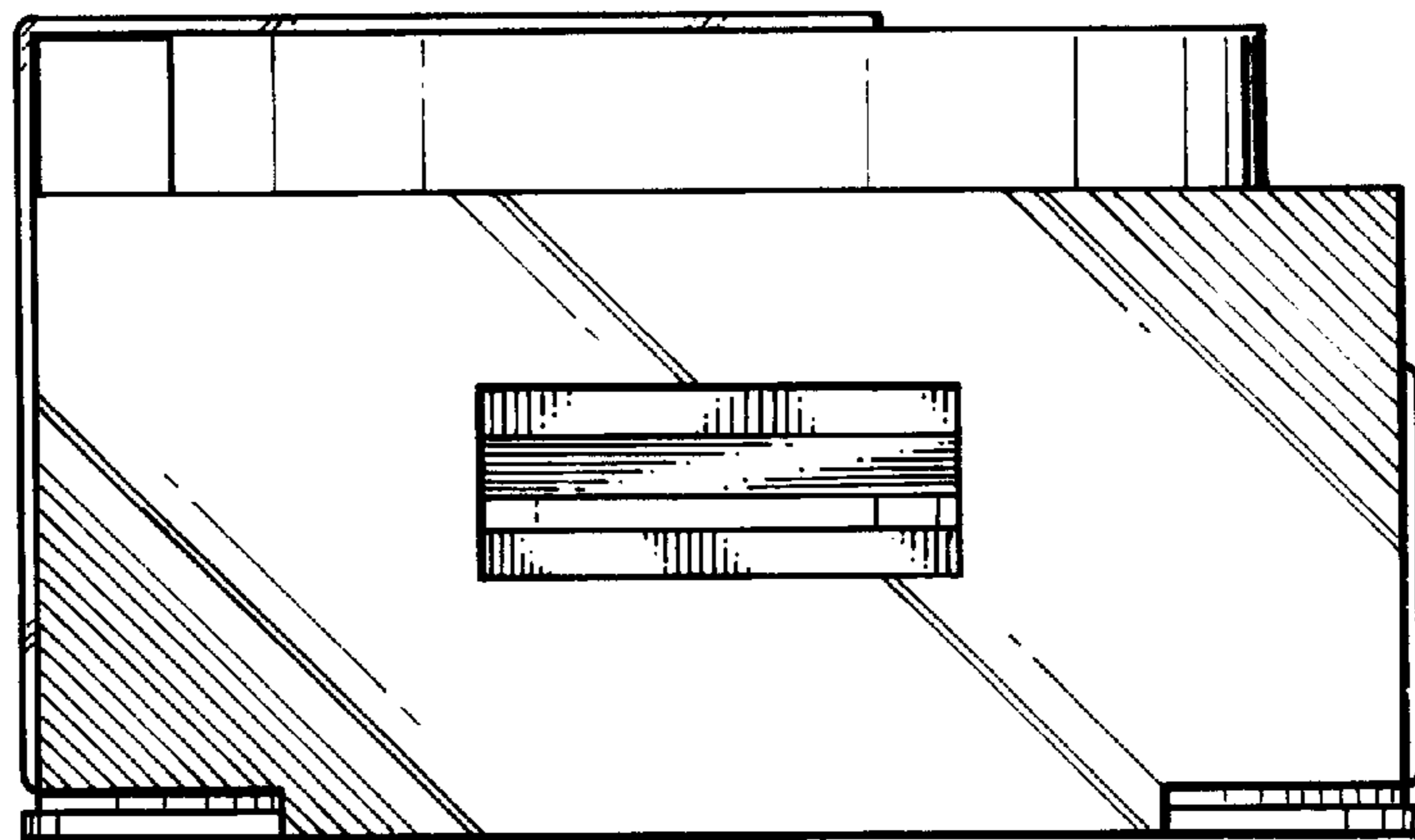


FIG. 3

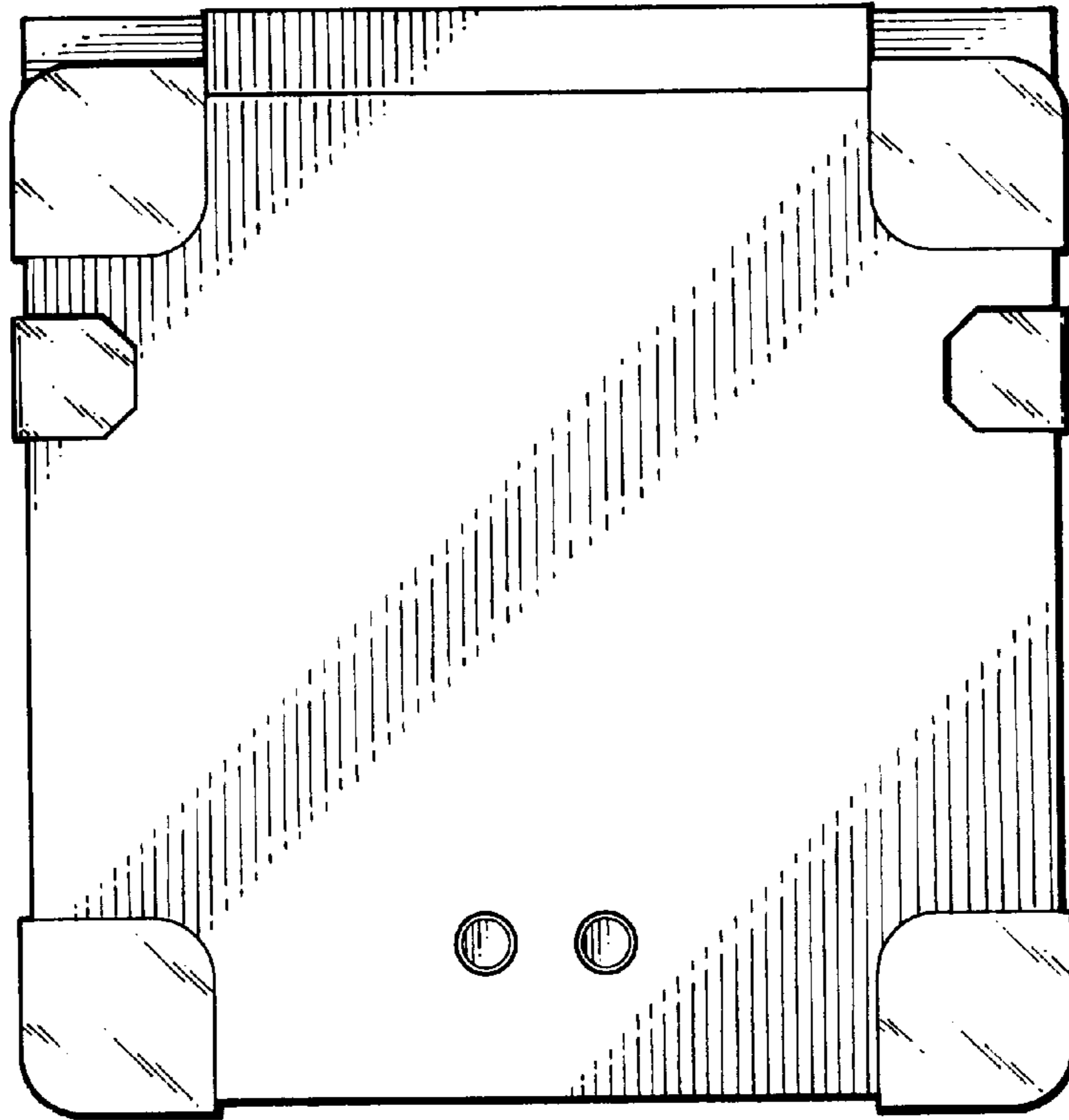


FIG. 4

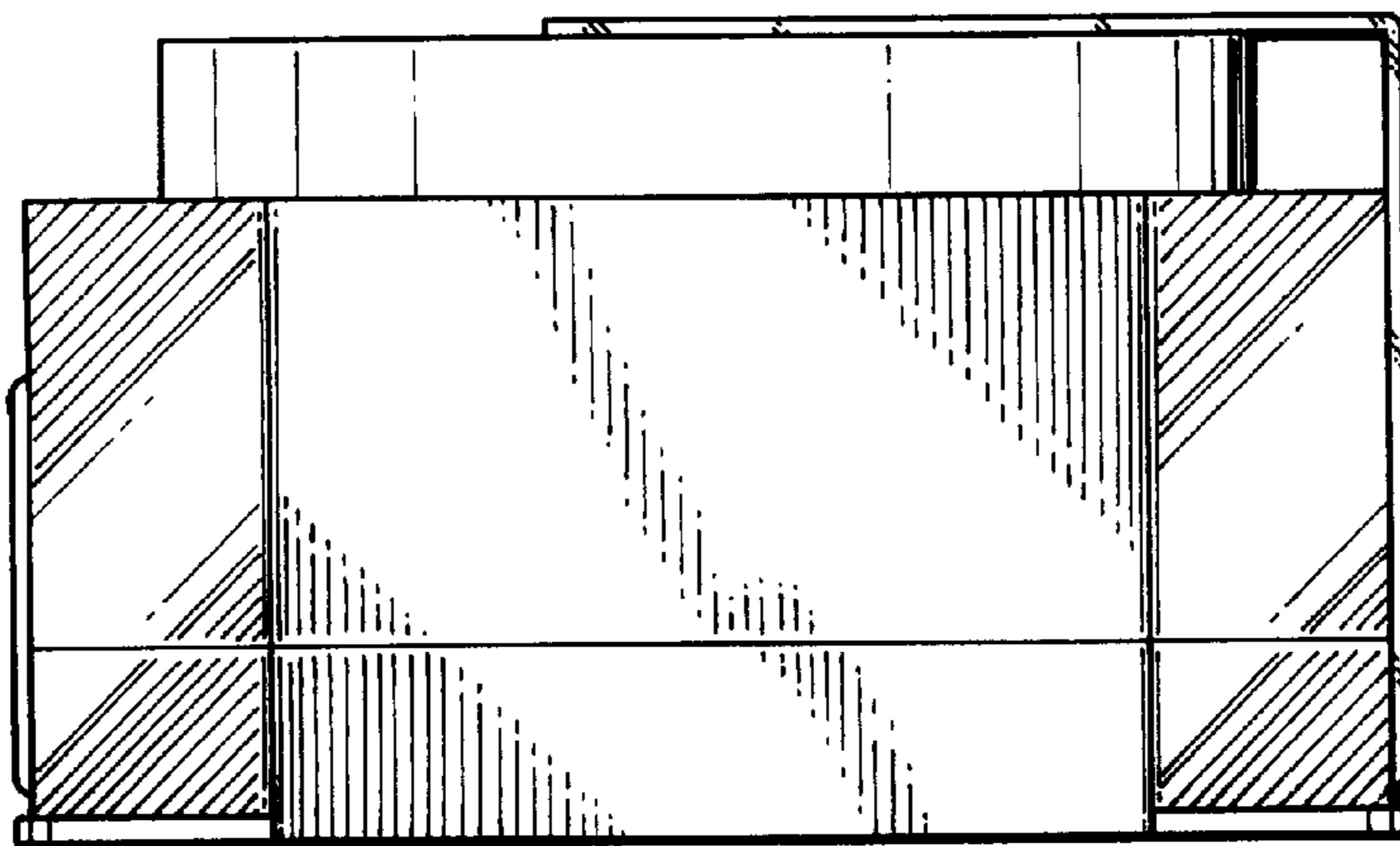


FIG. 5

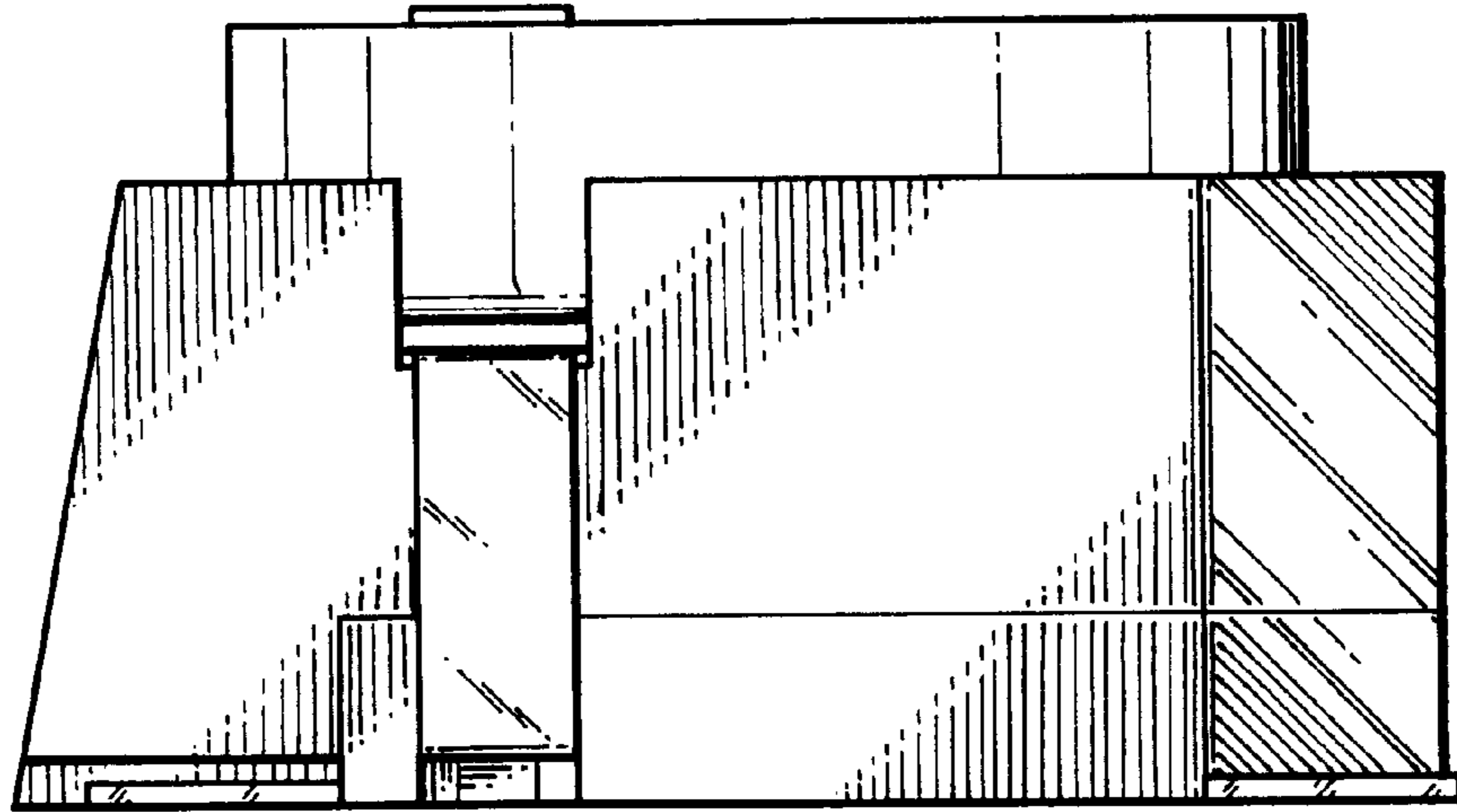


FIG. 6

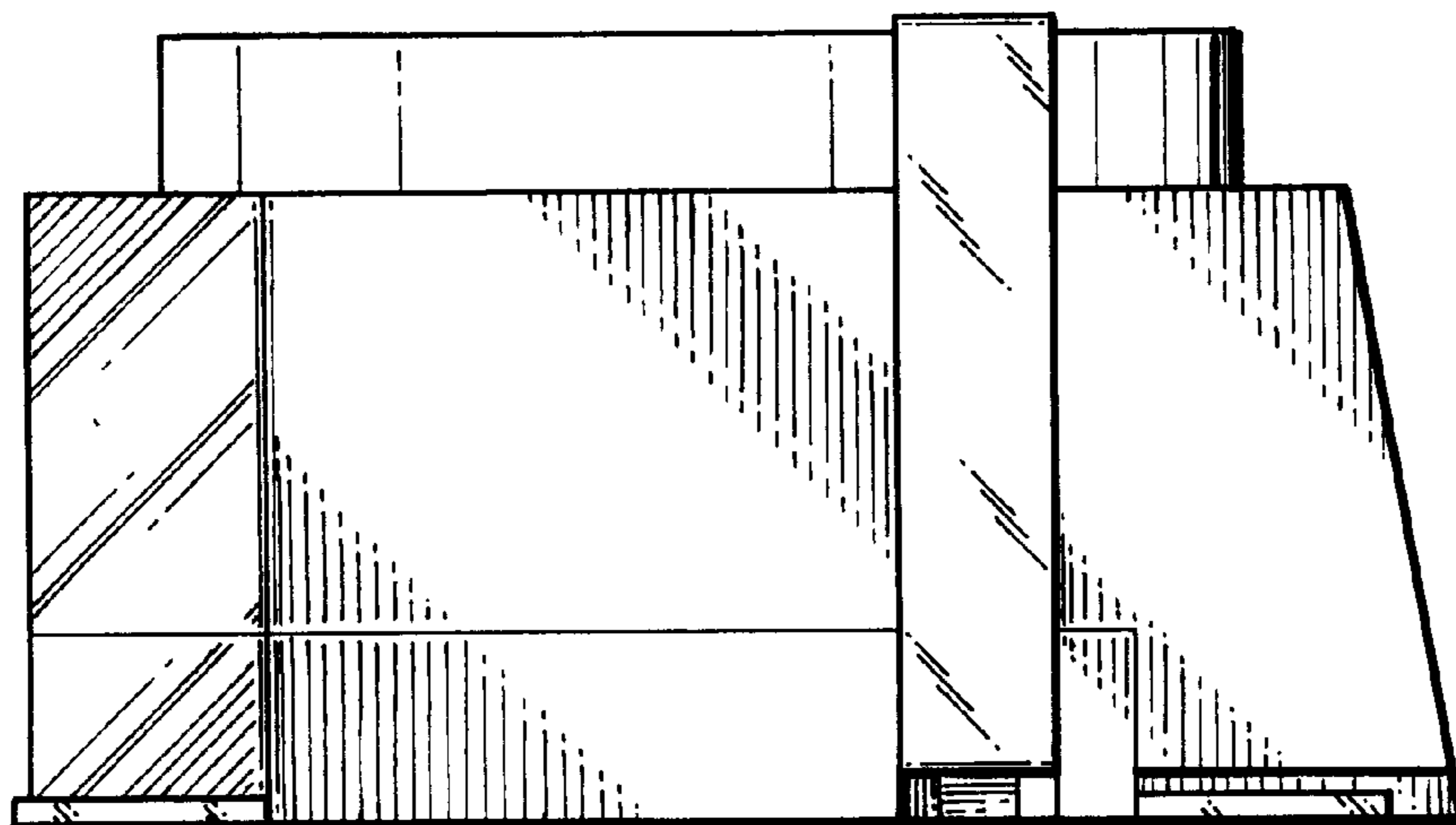


FIG. 7

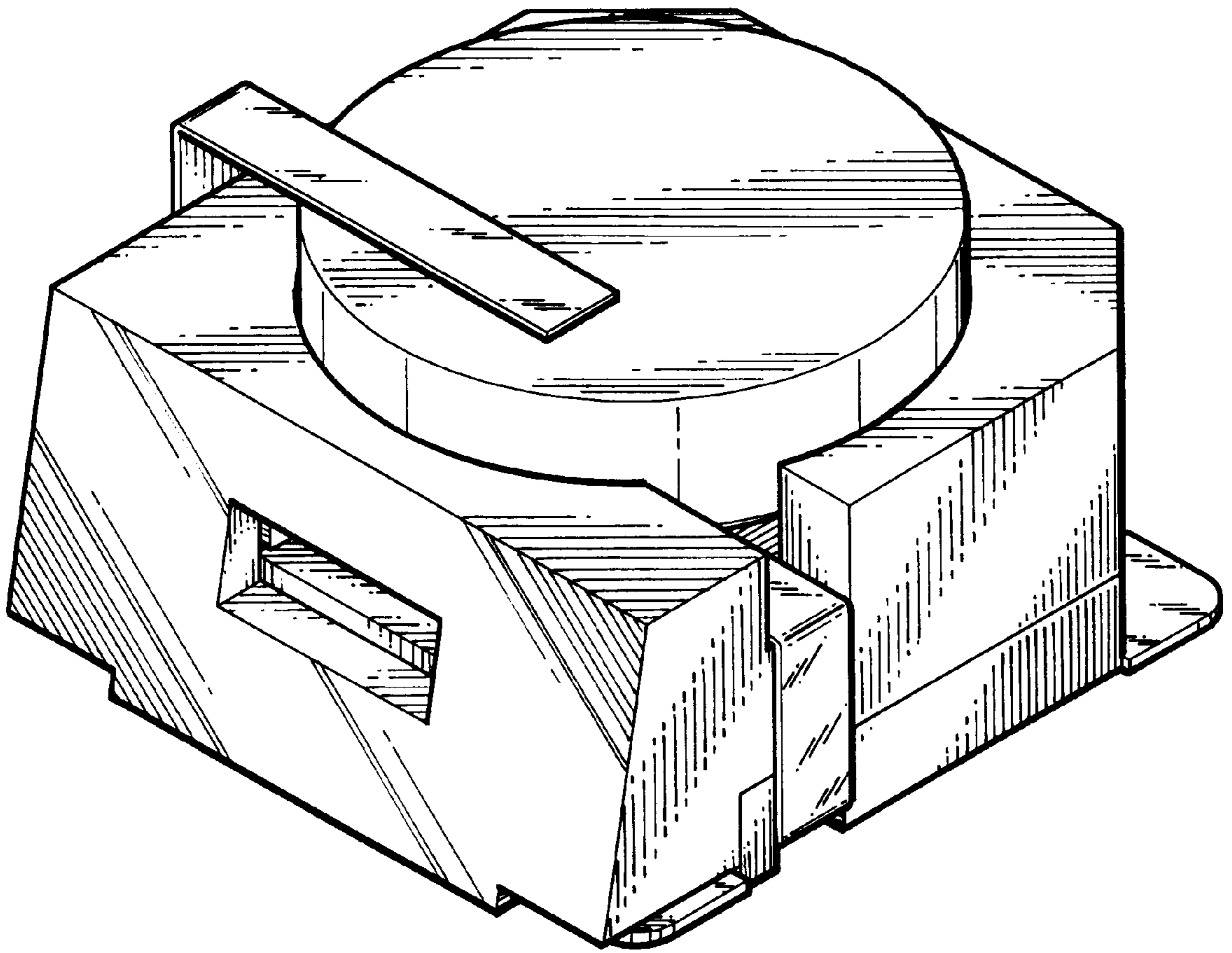


FIG. 8

