



US00D429464S

United States Patent [19] Helms

[11] Patent Number: Des. 429,464

[45] Date of Patent: ** Aug. 15, 2000

[54] CONTAINER

[75] Inventor: Charles R. Helms, Malvern, Pa.

[73] Assignee: Double H Plastics, Inc., Warminster, Pa.

[**] Term: 14 Years

[21] Appl. No.: 29/110,756

[22] Filed: Sep. 13, 1999

[51] LOC (7) Cl. 09-03

[52] U.S. Cl. D9/431

[58] Field of Search D7/509, 523, 543, D7/545, 549, 553.2, 555, 556, 587, 602-604, 612-615, 629; D9/337, 341, 345-347, 414, 415, 425, 420-421, 430-432; 206/557, 562-564; 220/527-528, 556-557, 669, 671-672, 675, 770-772

[56] **References Cited**

U.S. PATENT DOCUMENTS

D. 212,594	11/1968	Collie	D9/425
D. 238,137	12/1975	Swett	D7/612
D. 282,808	3/1986	Daenen et al.	D7/602
D. 282,809	3/1986	Daenen et al.	D7/614
D. 285,906	9/1986	Tyler	D9/431
D. 288,063	2/1987	Tyler	D9/431
D. 312,968	12/1990	Wolff	D9/431
D. 352,425	11/1994	Daenen et al.	D7/602
D. 363,662	10/1995	Plater	D9/425
D. 374,155	10/1996	Feer et al.	D7/602
D. 378,039	2/1997	Ferris	D9/431
D. 398,151	9/1998	Ahern, Jr.	220/507
D. 418,055	12/1999	Veto	D9/425
D. 419,442	1/2000	McClung et al.	D9/430
2,893,456	7/1959	Wallace	150/5
2,984,382	5/1961	Florsheim, Jr.	220/60
3,397,814	8/1968	Zackheim	220/60

3,412,889	11/1968	Eicholtz et al.	220/60
3,448,888	6/1969	Smith	D9/425
4,252,248	2/1981	Obrist et al.	220/270
4,401,229	8/1983	Bell et al.	220/259
5,417,338	5/1995	Roy et al.	220/527

Primary Examiner—James Gandy
Assistant Examiner—Carol Rademaker
Attorney, Agent, or Firm—Synnestvedt & Lechner LLP

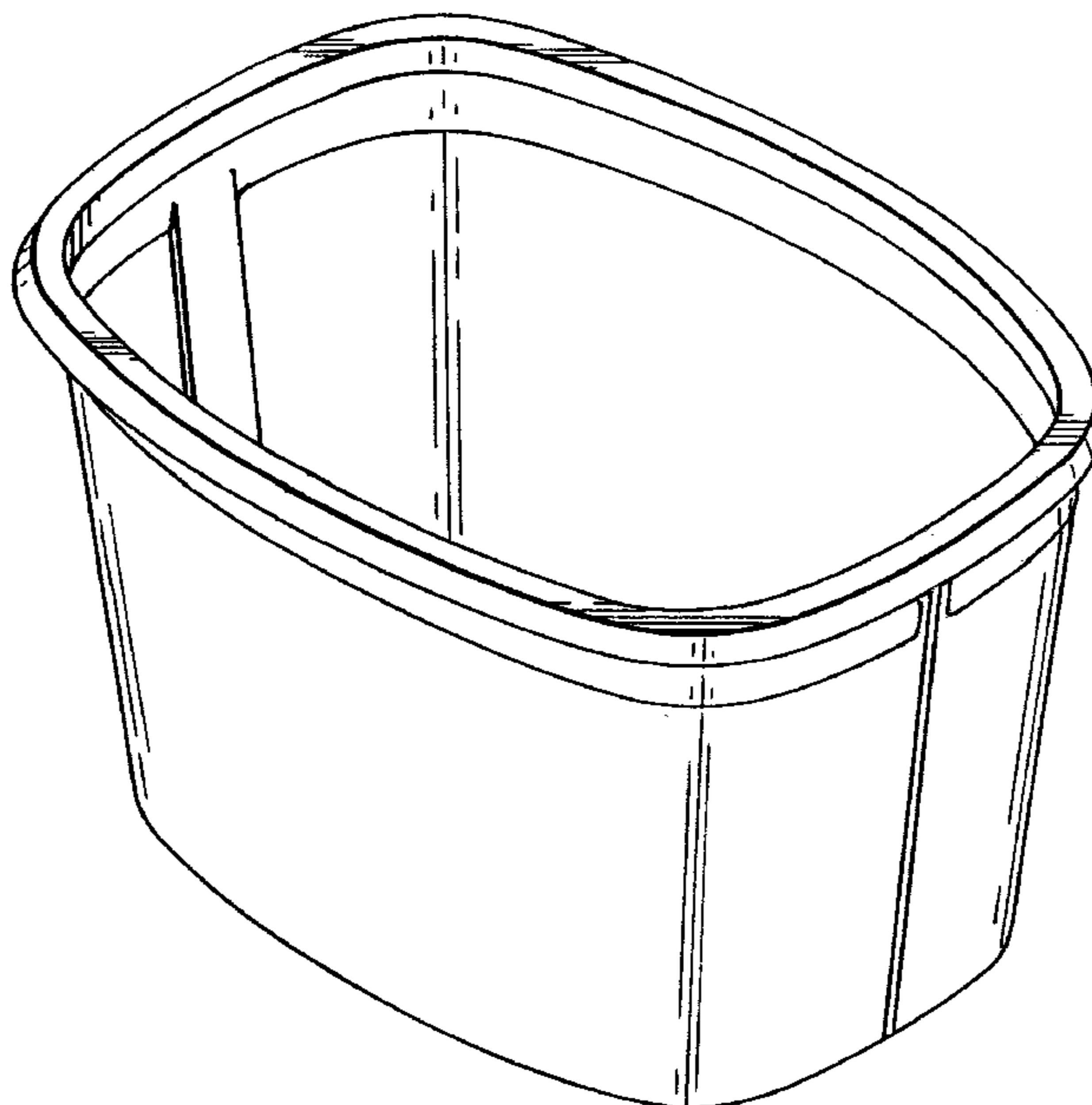
[57] **CLAIM**

The ornamental design for a container, as shown and described.

DESCRIPTION

FIG. 1 is a perspective view of a first embodiment of my design for a container;
FIG. 2 is a top plan view of the container shown in FIG. 1;
FIG. 3 is a bottom plan view of the container shown in FIG. 1;
FIG. 4 is an end view of the container shown in FIG. 1 showing the end opposite that shown in FIG. 1;
FIG. 5 is a side elevational view of the container shown in FIG. 1 showing the side opposite that shown in FIG. 1;
FIG. 6 is a cross sectional view of the container of FIG. 1 taken along line 6—6 in FIG. 2;
FIG. 7 is a perspective view of a second embodiment of my design for a container;
FIG. 8 is a top plan view of the container shown in FIG. 7;
FIG. 9 is a bottom plan view of the container shown in FIG. 7;
FIG. 10 is an end view of the container shown in FIG. 7 showing the end opposite that shown in FIG. 7;
FIG. 11 is a side elevational view of the container shown in FIG. 7 showing the side opposite that shown in FIG. 7; and,
FIG. 12 is a cross sectional view of the container of FIG. 7 taken along line 12—12 in FIG. 8.

1 Claim, 6 Drawing Sheets



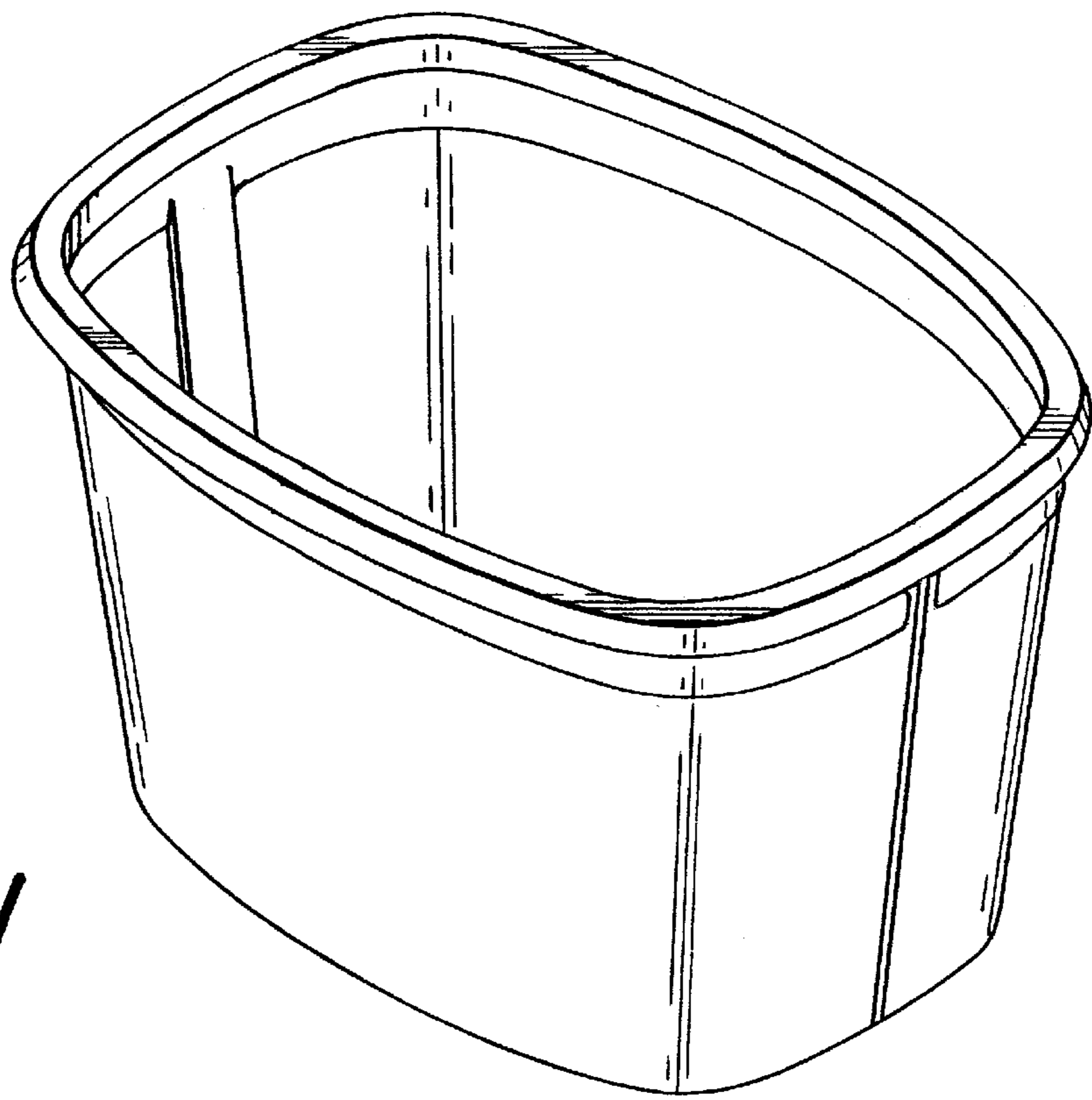


FIG. 1

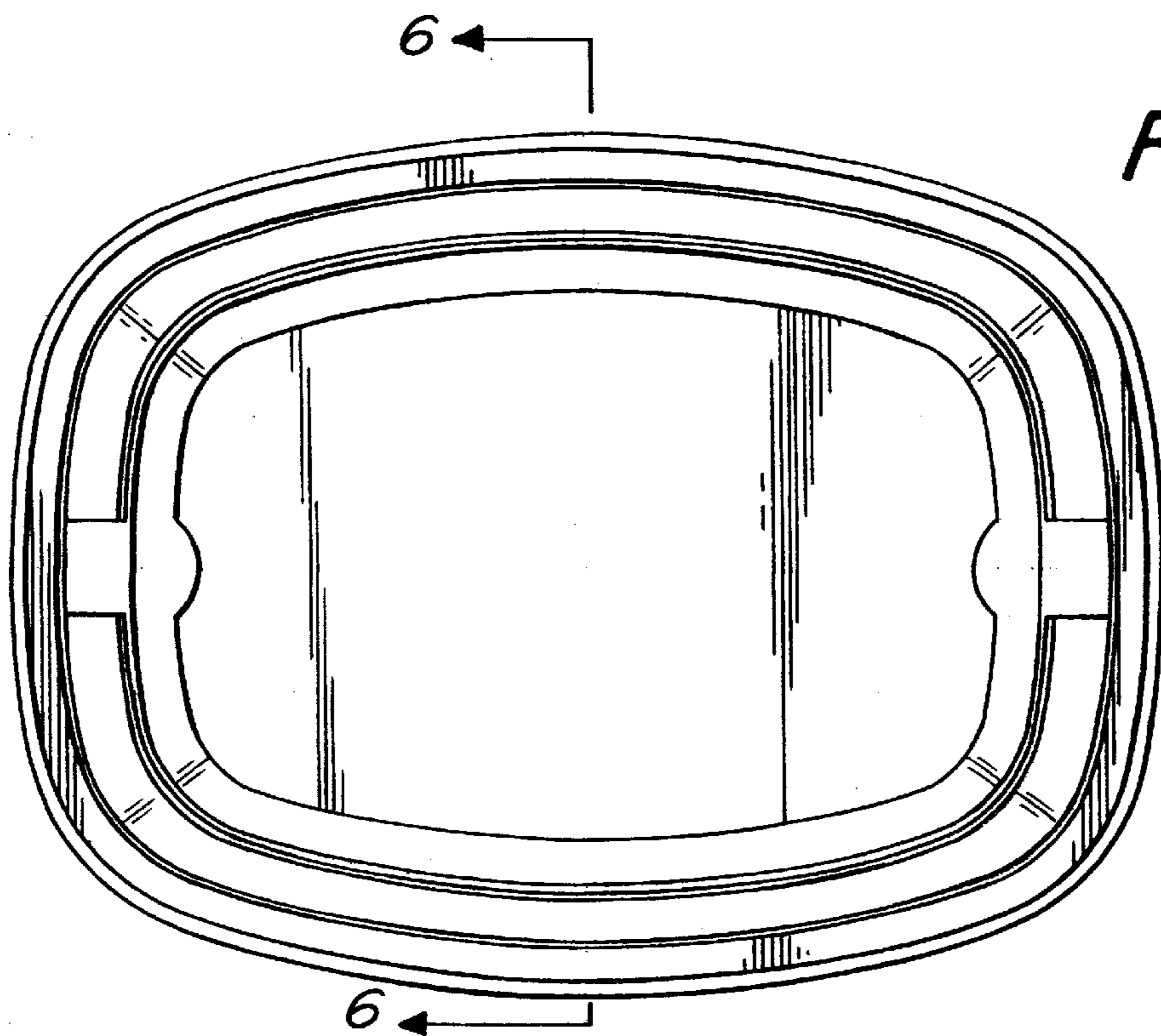


FIG. 2

FIG. 3

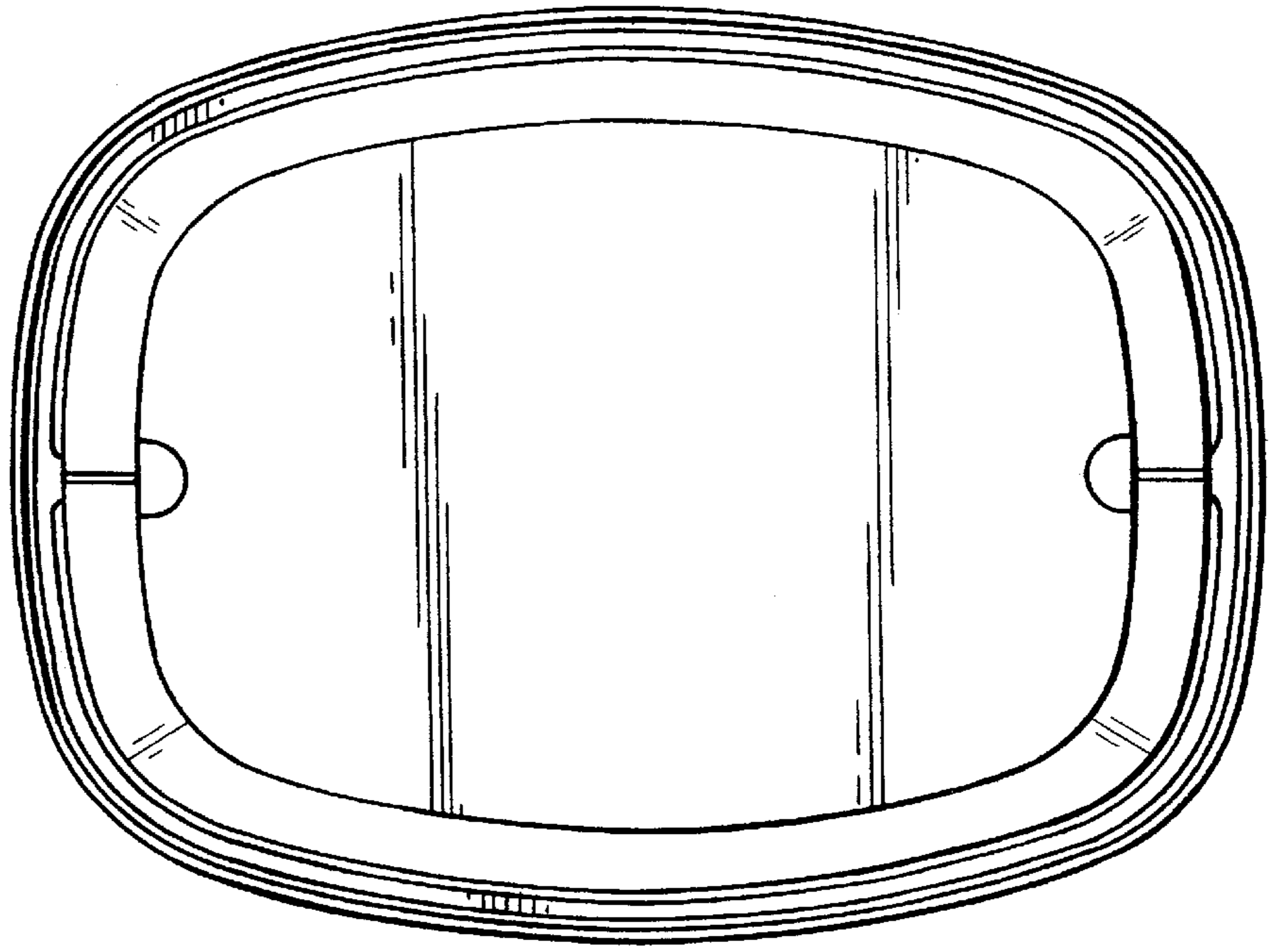


FIG. 4

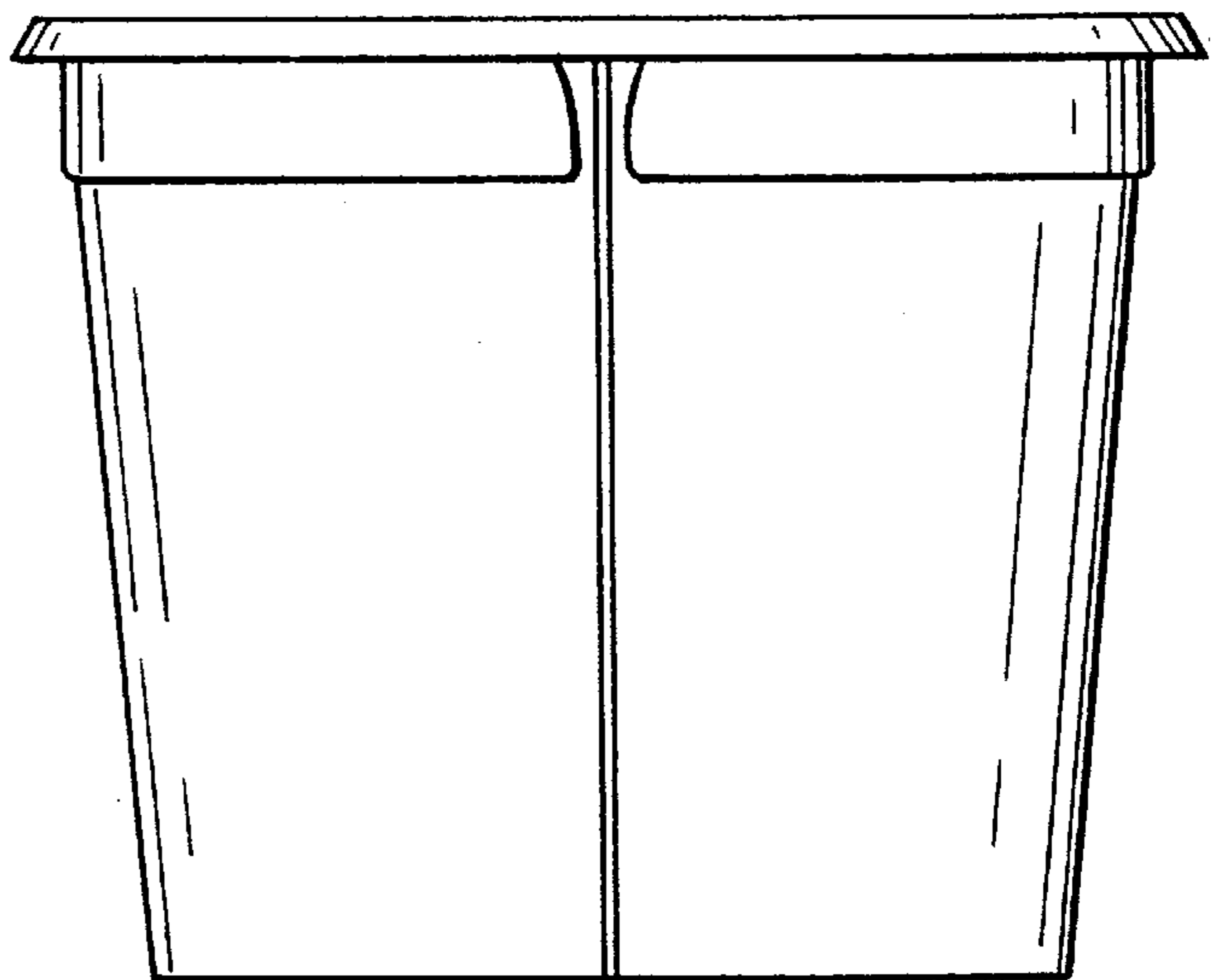


FIG. 5

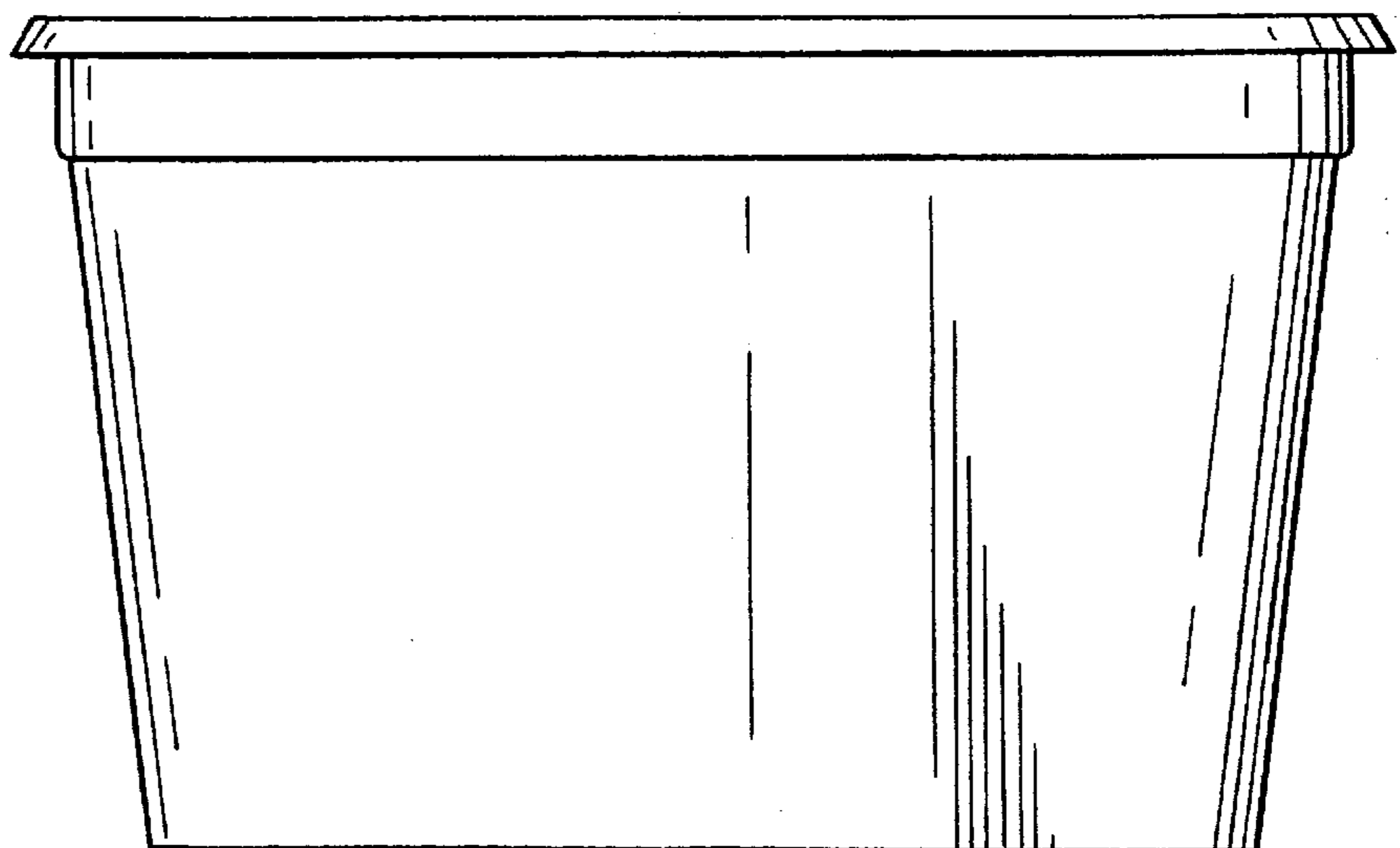
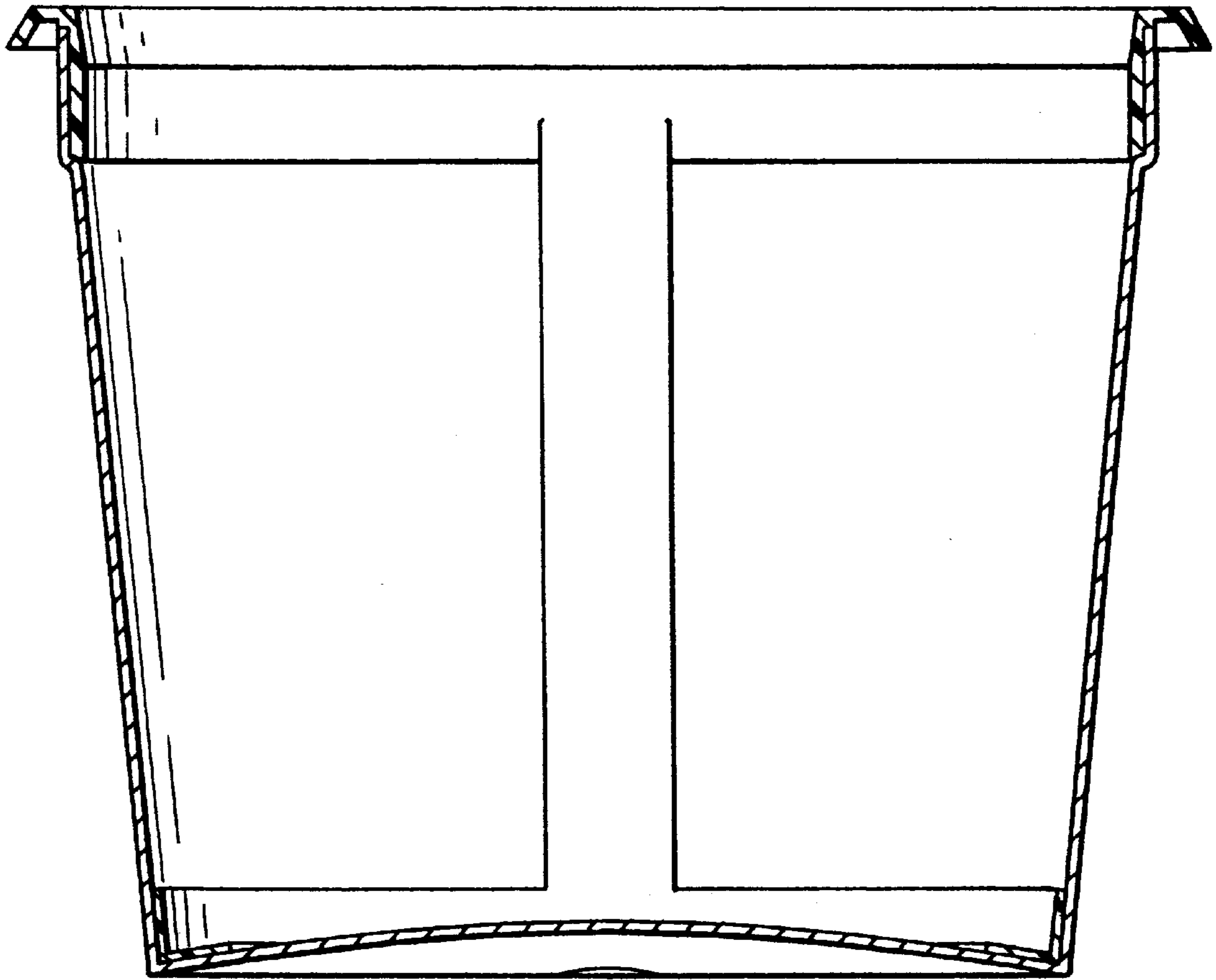


FIG. 6



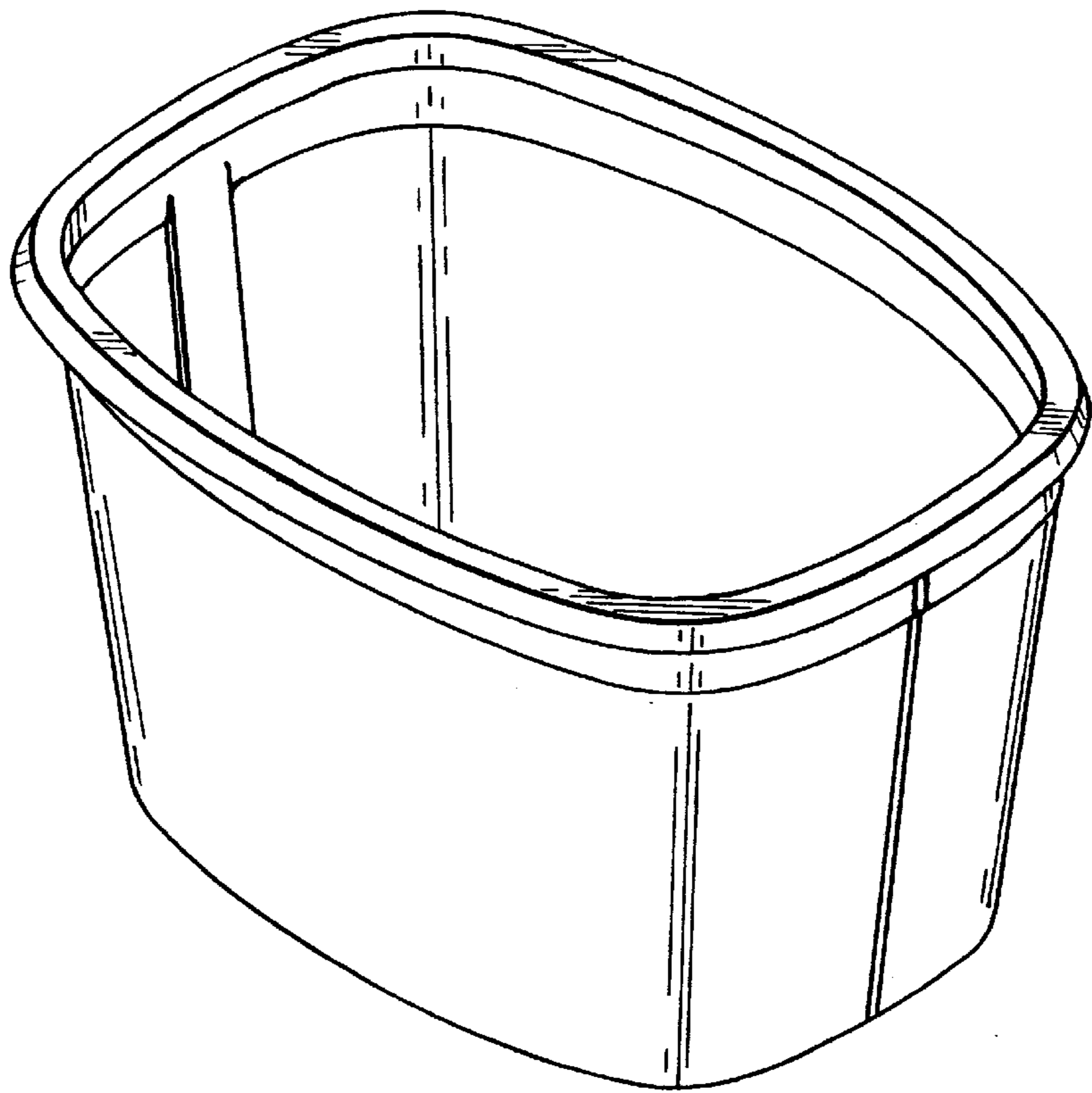


FIG. 7

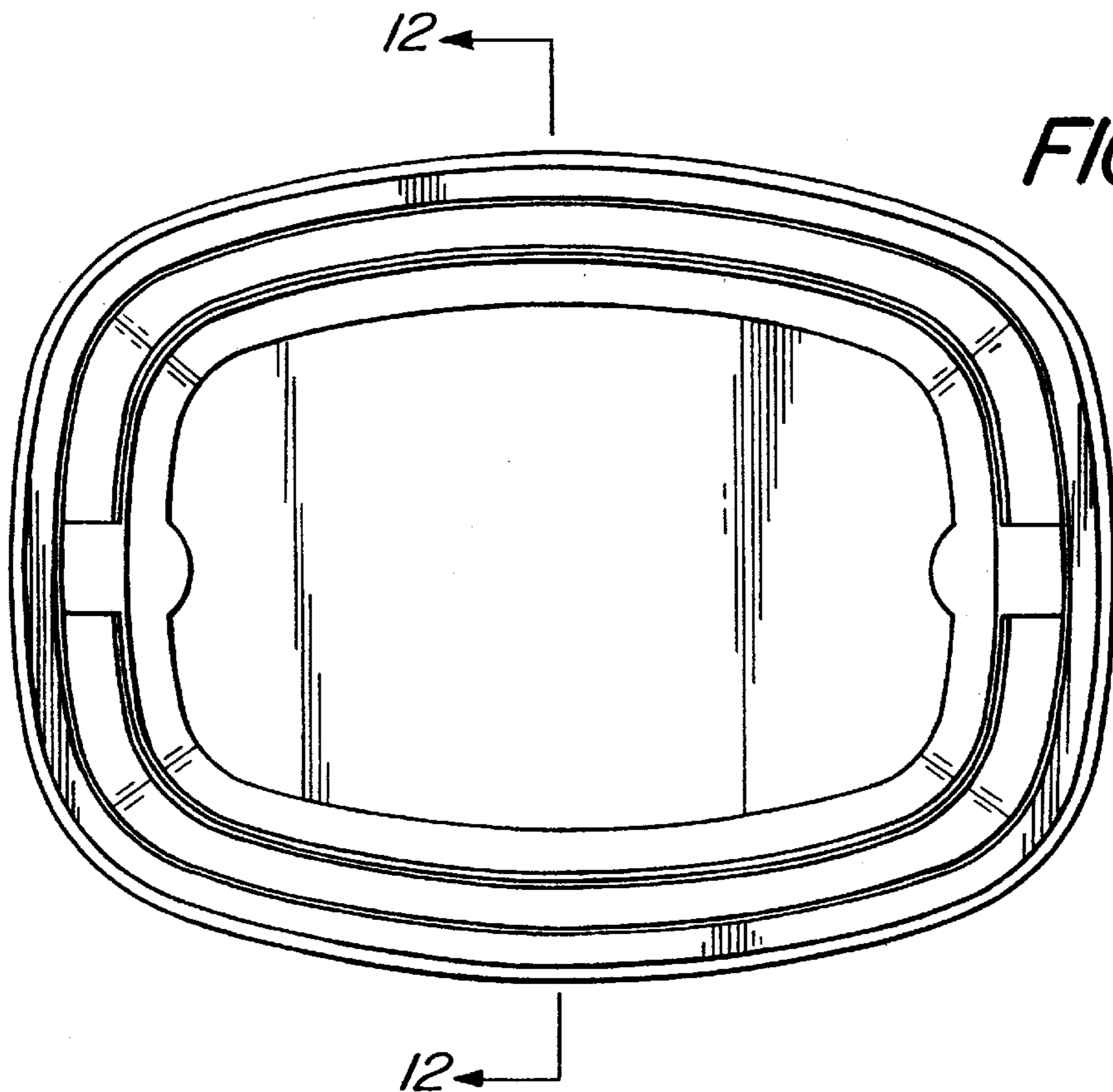


FIG. 8

FIG. 9

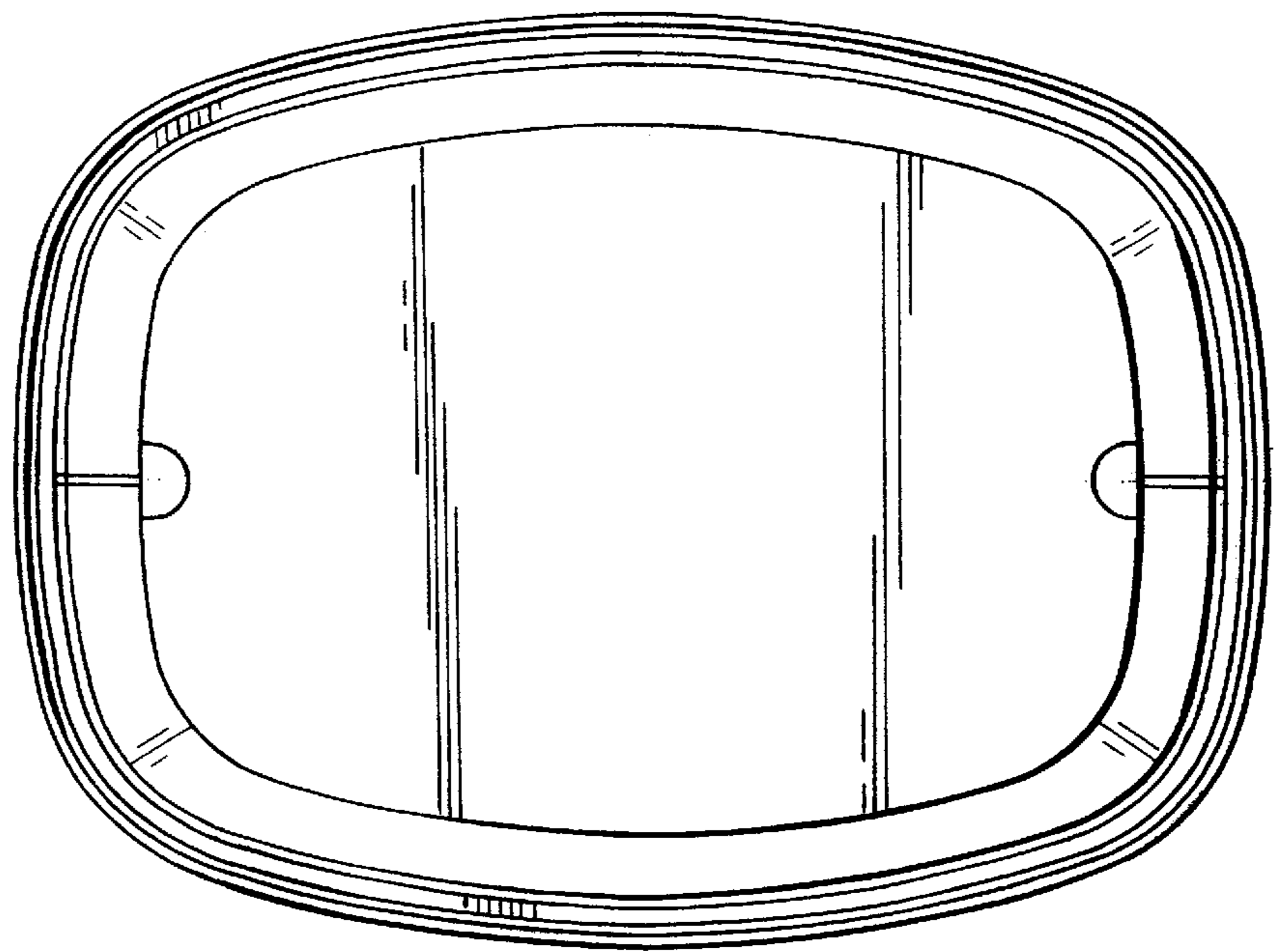


FIG. 10

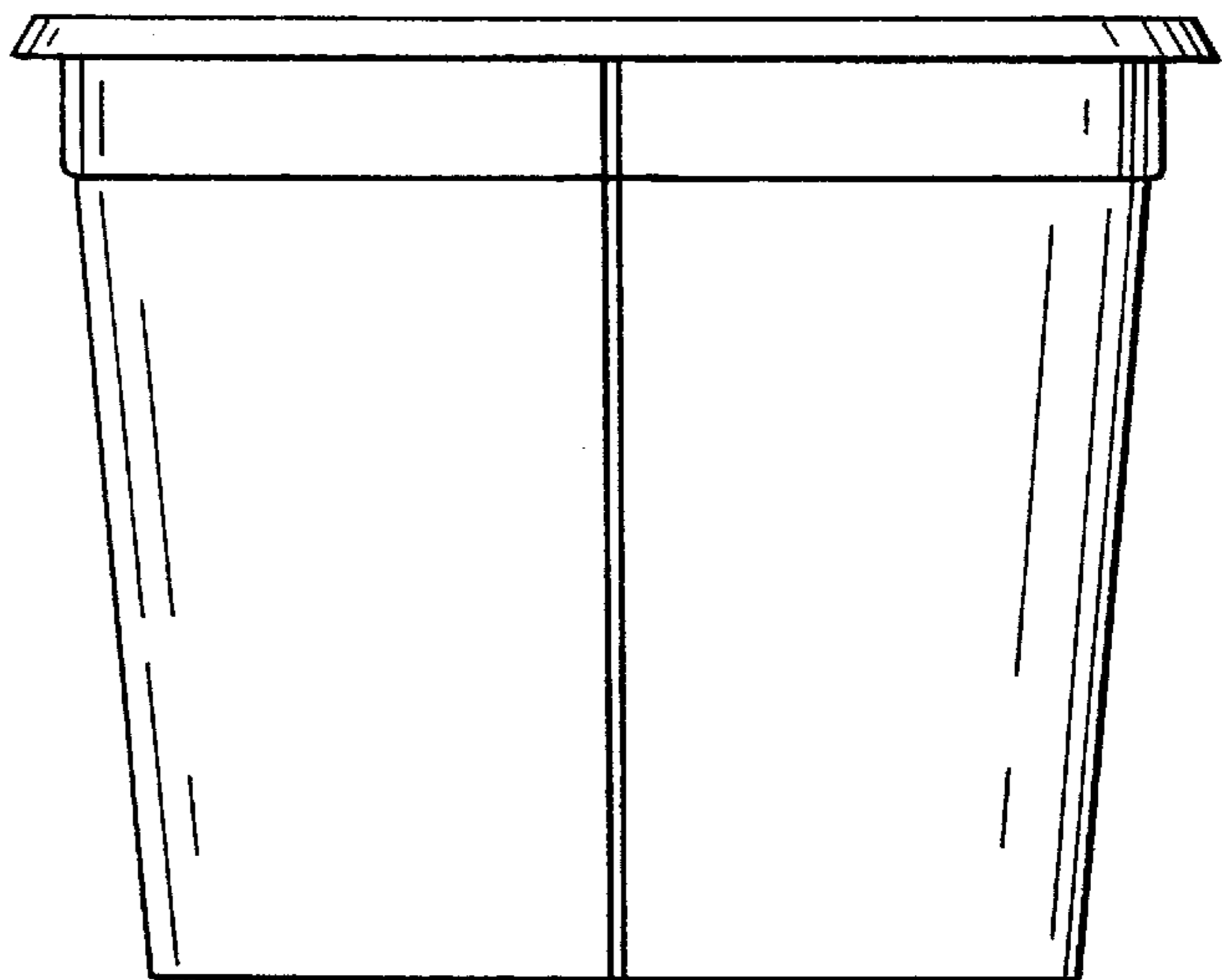


FIG. 11

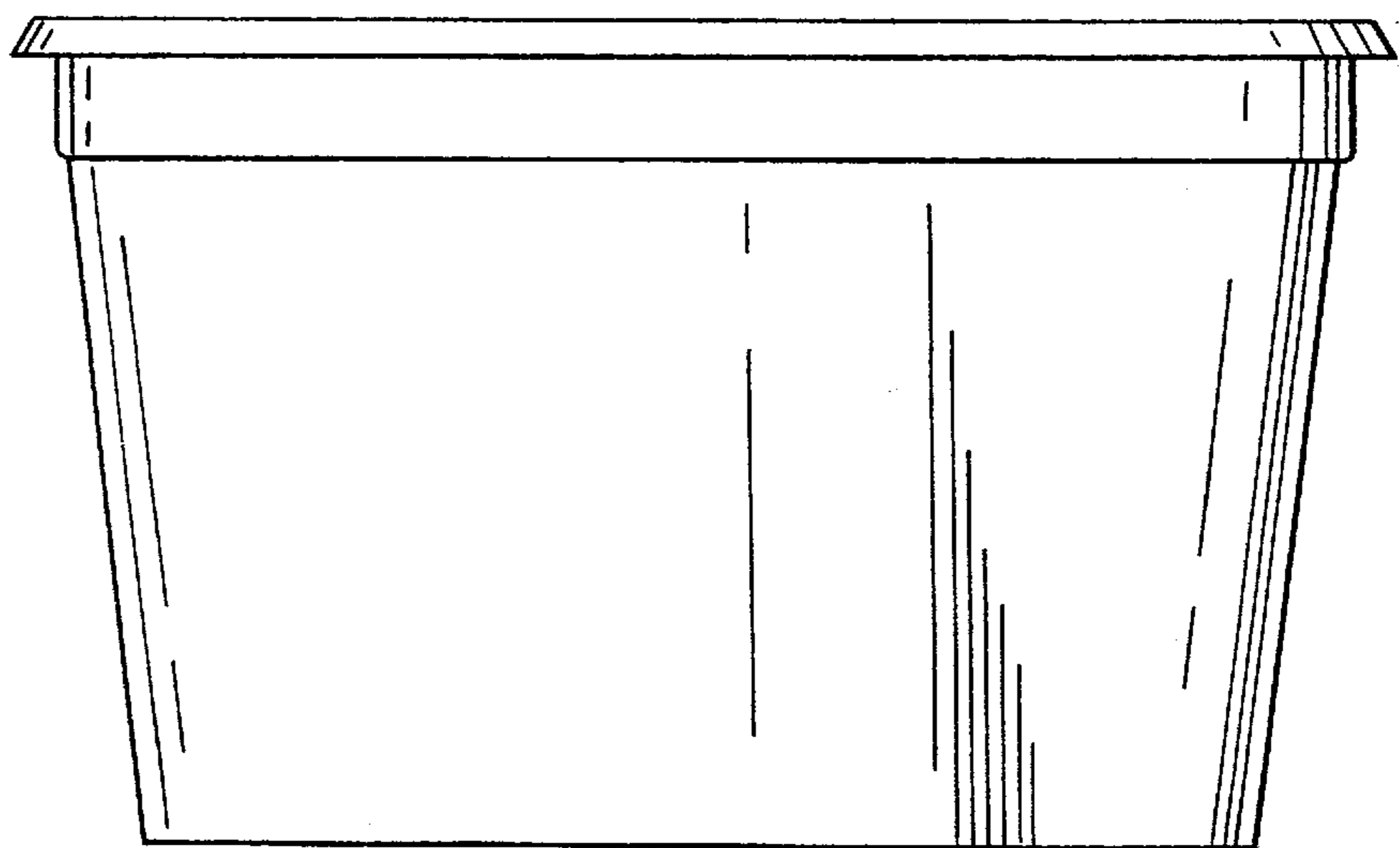


FIG. 12

