



US00D429461S

**United States Patent** [19]  
**Rowlay**

[11] **Patent Number: Des. 429,461**

[45] **Date of Patent: \*\* Aug. 15, 2000**

[54] **HAND TOOL PACKAGE**

[75] Inventor: **Stephen Rowlay**, Sheffield, United Kingdom

[73] Assignee: **The Stanley Works**, New Britain, Conn.

[\*\*] Term: **14 Years**

[21] Appl. No.: **29/109,114**

[22] Filed: **Aug. 11, 1999**

[51] **LOC (7) Cl.** ..... **09-07**

[52] **U.S. Cl.** ..... **D9/415**

[58] **Field of Search** ..... D9/415, 418, 414,  
D9/457, 455; 206/461-471, 349, 806, 379,  
476-480, 495

[56] **References Cited**

**U.S. PATENT DOCUMENTS**

D. 349,239	8/1994	Steenland	.....	D9/415
D. 366,829	2/1996	Chervenak et al.	.....	D9/415
D. 376,312	12/1996	Cahn et al.	.....	D9/415
3,927,762	12/1975	Zdarsky et al.	.....	206/462 X
4,019,632	4/1977	Greenlee	.....	206/349
5,335,772	8/1994	Chervenak et al.	.....	206/461 X

5,477,964	12/1995	Hart	.....	206/349
5,484,056	1/1996	Wood	.....	206/349
5,740,911	4/1998	Chou	.....	206/806 X

**OTHER PUBLICATIONS**

Modern Packaging, p. 300, Jan. 1941.  
Techform Inc. (From 206/461 Shoe), Jan. 1941.

*Primary Examiner*—Prabhakar Deshmukh  
*Attorney, Agent, or Firm*—Pillsbury Madison & Sutro LLP

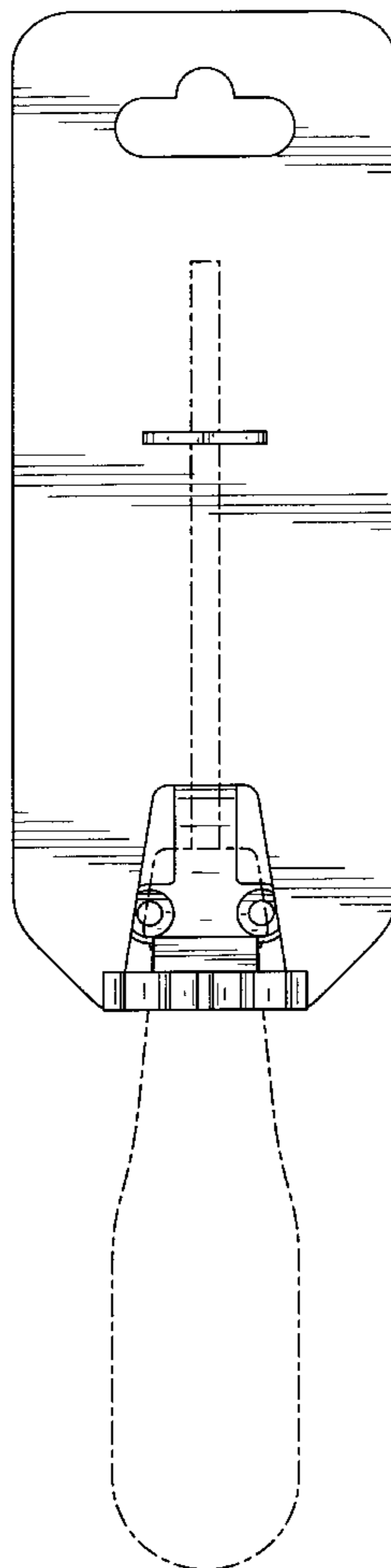
[57] **CLAIM**

The ornamental design for a hand tool package, as shown and described.

**DESCRIPTION**

FIG. 1 is a front elevational view of a hand tool package showing my new design, the tool held by the package being shown in outline in phantom lines is shown for illustrative purpose only and forms no part of the claimed design; FIG. 2 is a left hand side elevational view thereof, the right side elevational view being a mirror image thereof; FIG. 3 is a rear elevational view thereof; FIG. 4 is a bottom plan view thereof; and, FIG. 5 is a top plan view thereof.

**1 Claim, 4 Drawing Sheets**



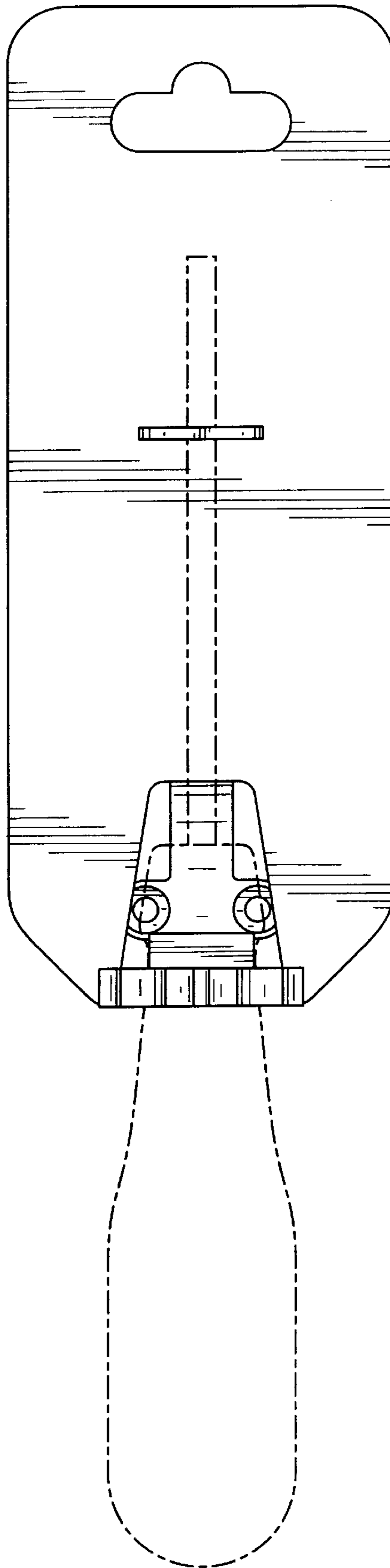


FIG. 1

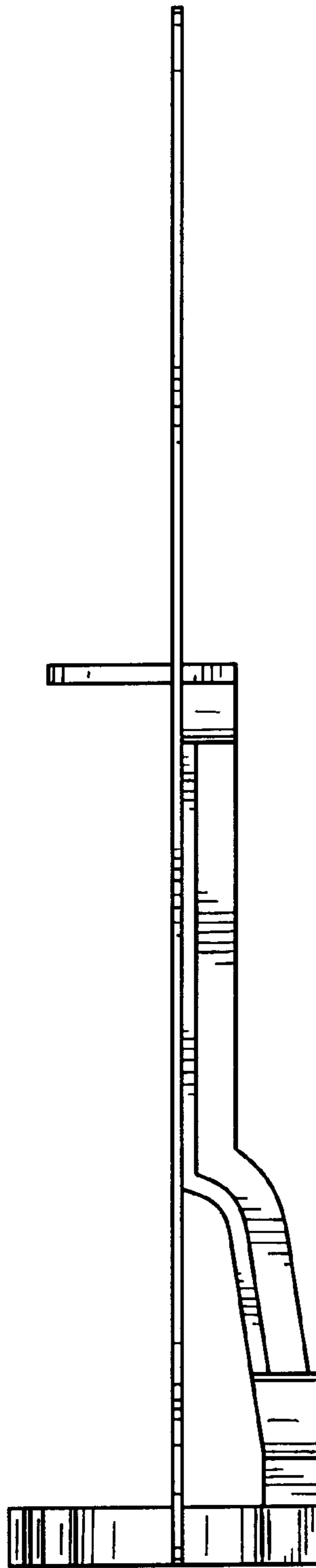


FIG. 2

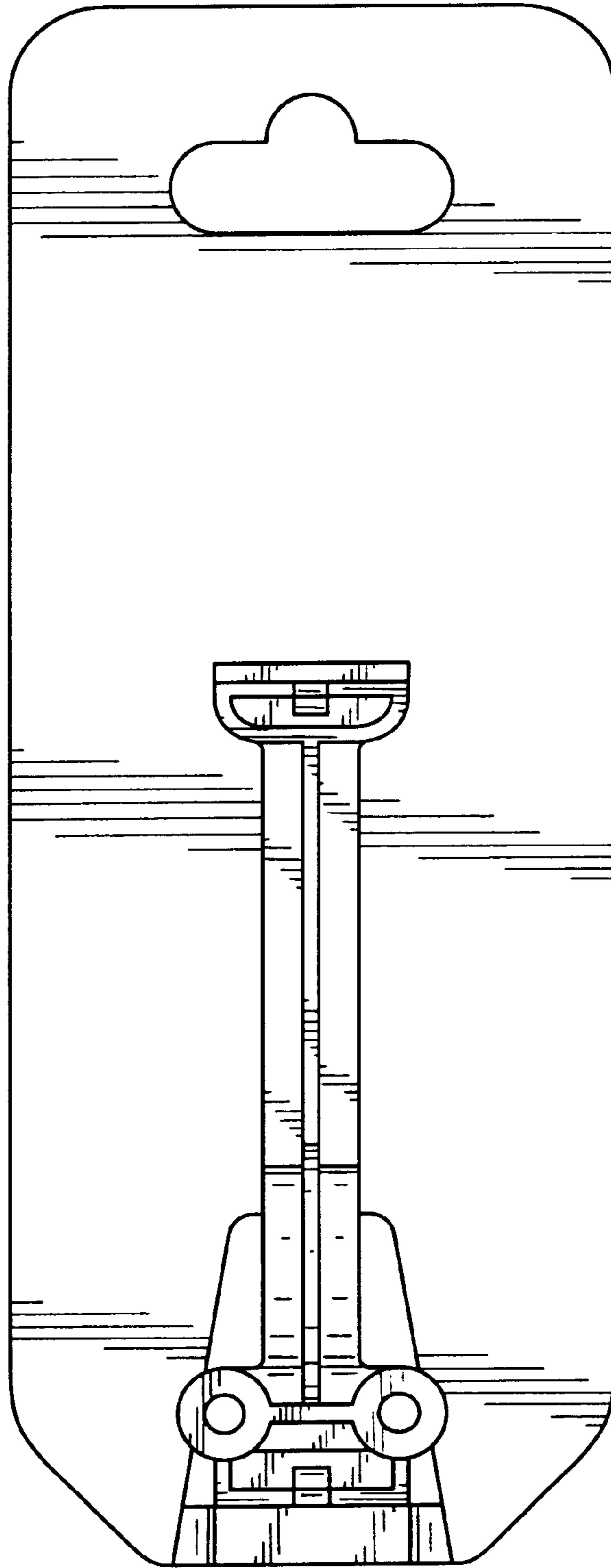


FIG. 3

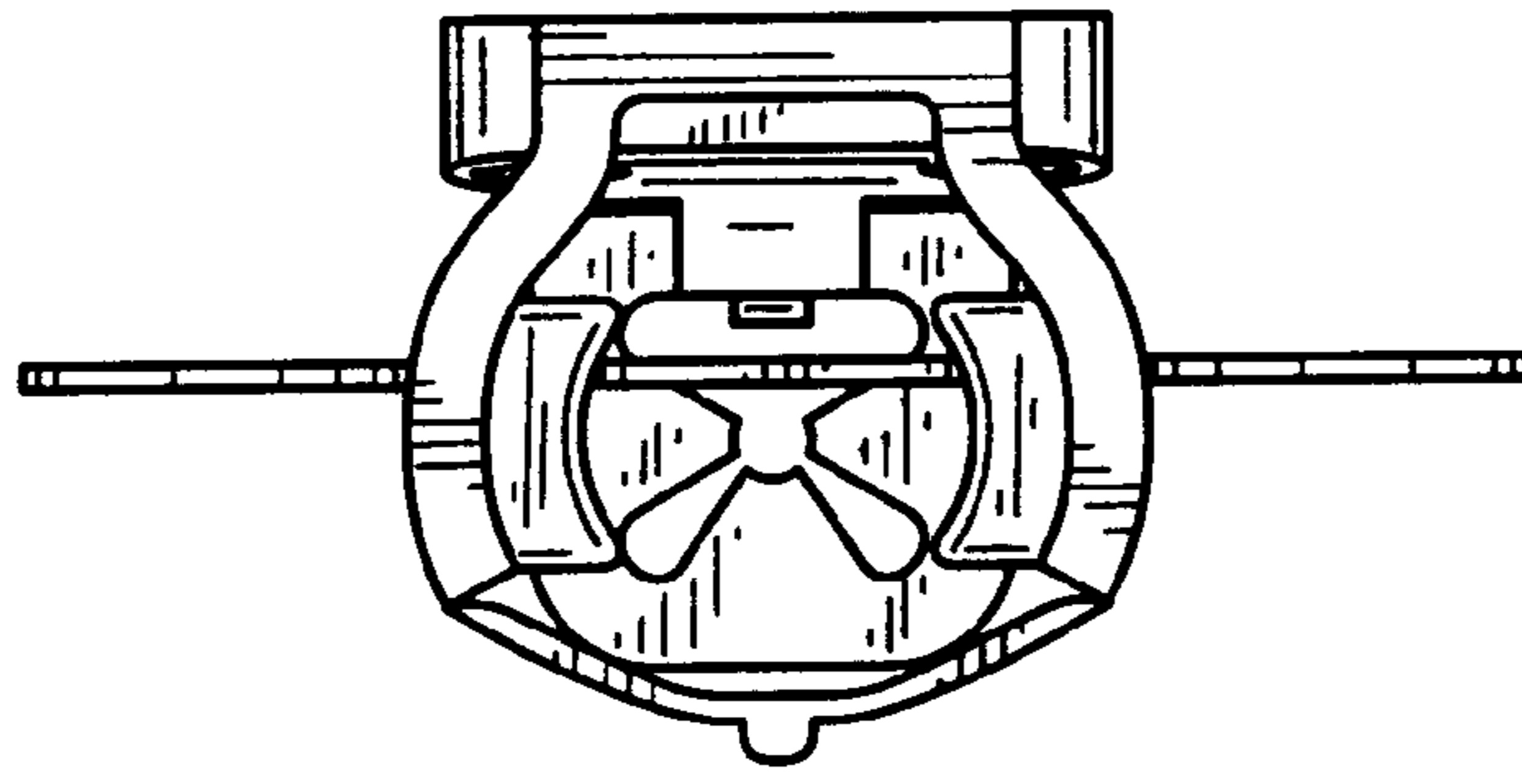


FIG. 4

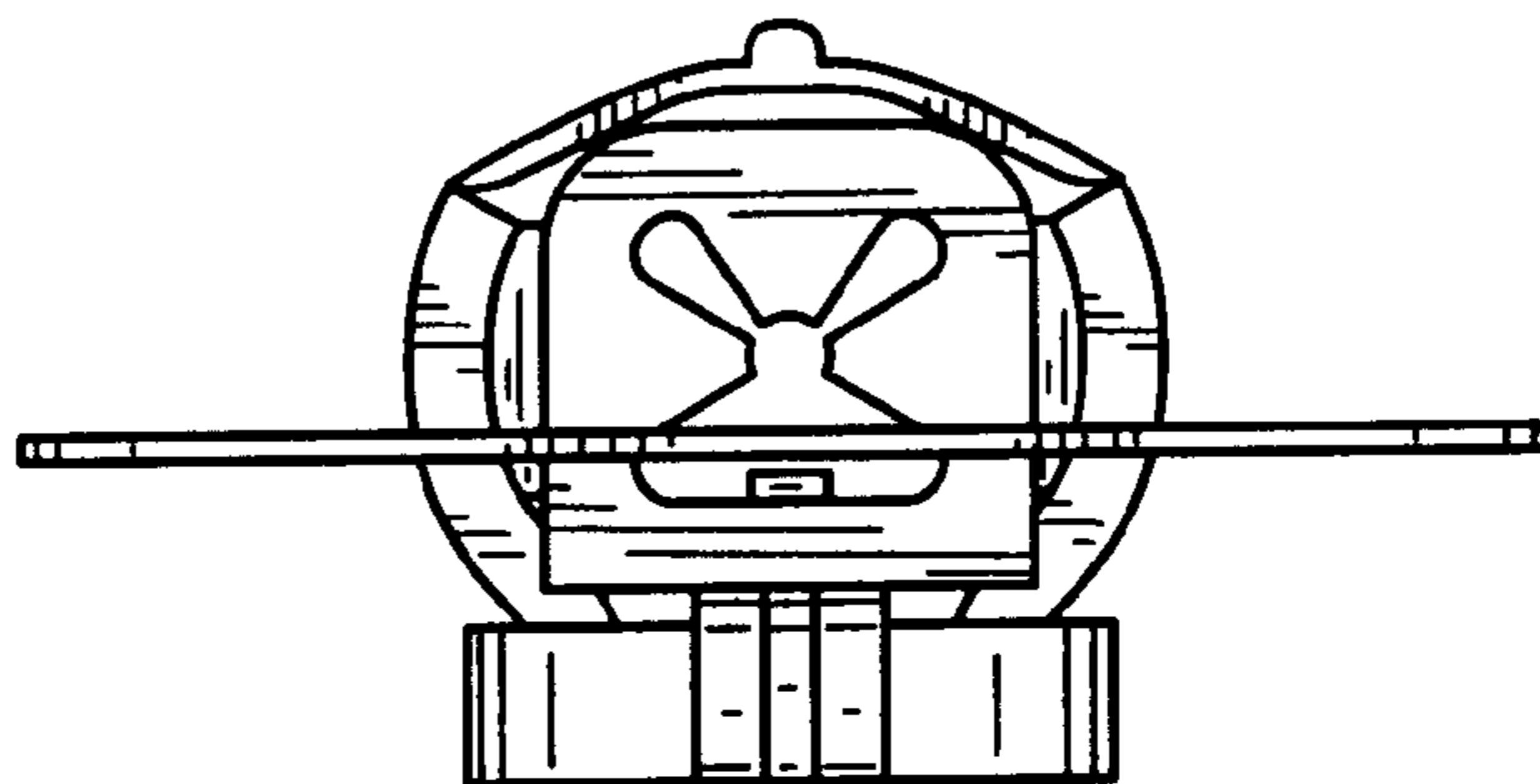


FIG. 5