



US00D429457S

United States Patent [19]

Thomas

[11] Patent Number: Des. 429,457

[45] Date of Patent: ** Aug. 15, 2000

[54] TELEPHONE CORD LOCK

1,800,756 4/1931 Sass 24/115 R

[76] Inventor: Dwight A. Thomas, 1708 W. Tichenor St., Compton, Calif. 90220

Primary Examiner—Holly Baynham

[**] Term: 14 Years

[57] CLAIM

[21] Appl. No.: 29/100,352

The ornamental design for a telephone cord lock, as shown and described.

[22] Filed: Feb. 10, 1999

DESCRIPTION

[51] LOC (7) Cl. 08-05

FIG. 1 is a front elevational view of the telephone cord lock showing my new design;

[52] U.S. Cl. D8/356

FIG. 2 is a rear elevational view thereof;

[58] Field of Search D8/356, 394; 24/115 R; 248/229.26, 229.16

FIG. 3 is a right side view thereof;

FIG. 4 is a left side view thereof;

FIG. 5 is a top plan view thereof;

FIG. 6 is a bottom plan view thereof; and,

FIG. 7 is a perspective view thereof.

[56] References Cited

U.S. PATENT DOCUMENTS

- D. 269,065 5/1983 Hough, Jr. D8/356
- D. 379,299 5/1997 Fitzgibbons D8/395 X

1 Claim, 3 Drawing Sheets

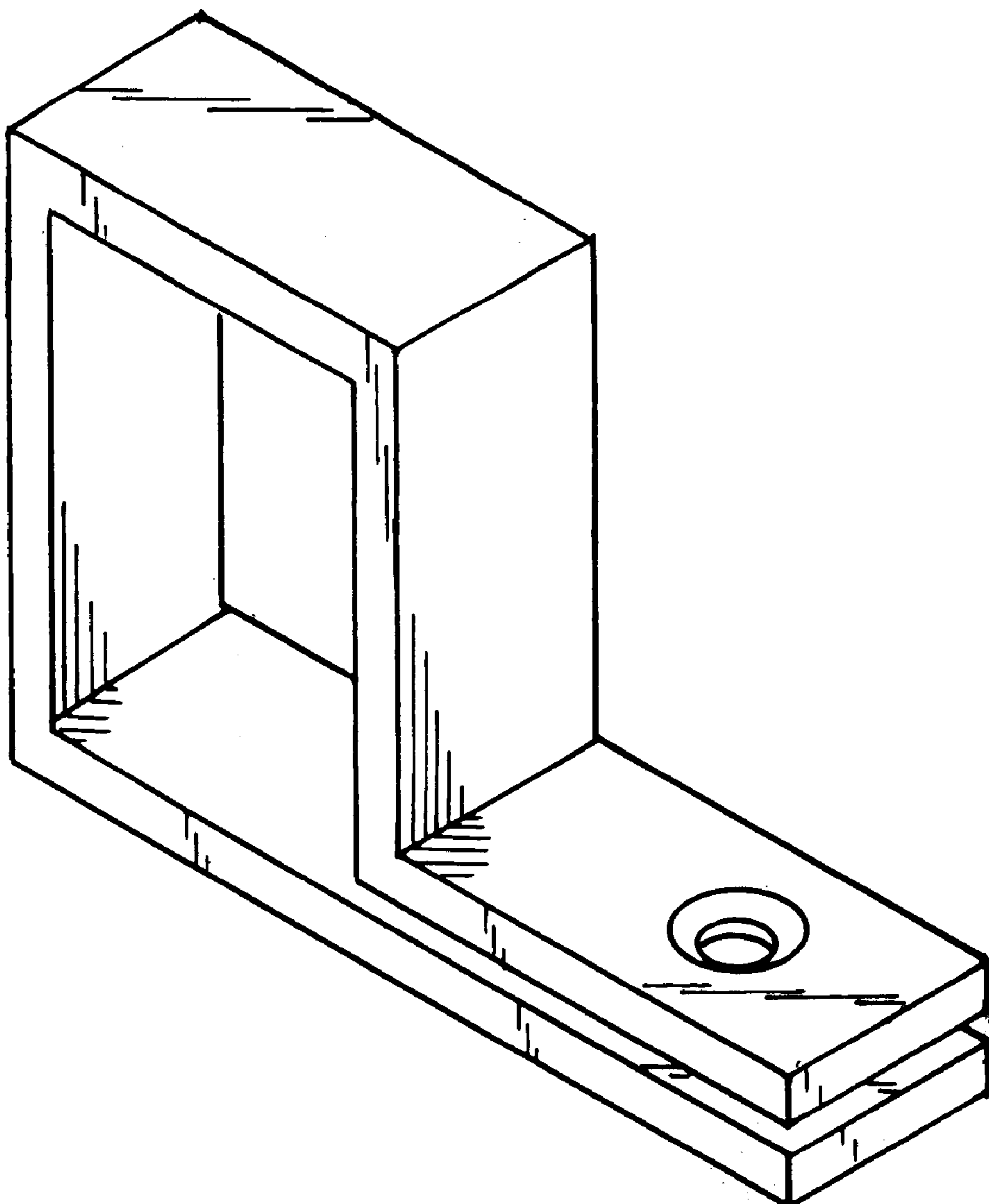


FIG . 1

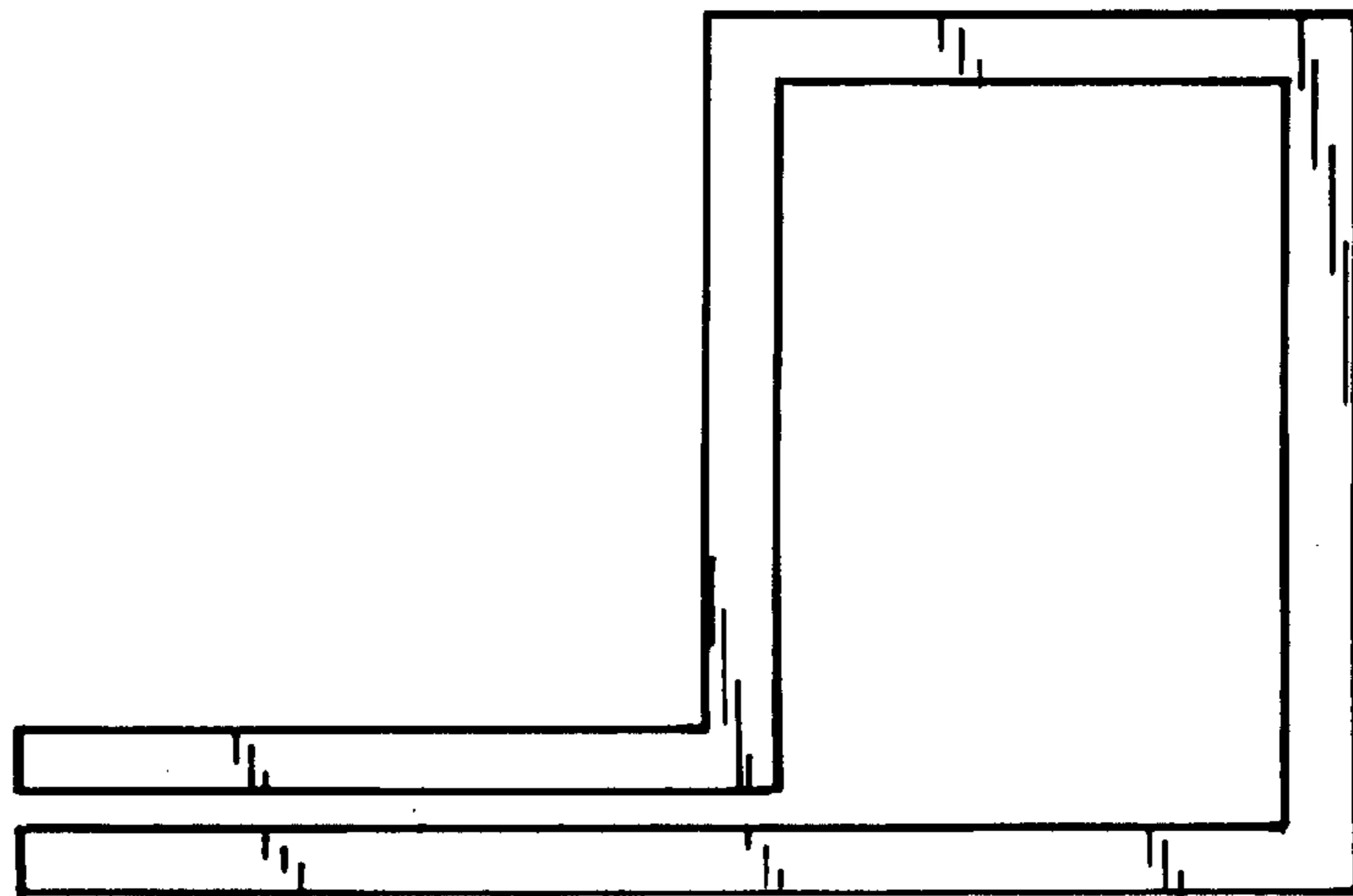
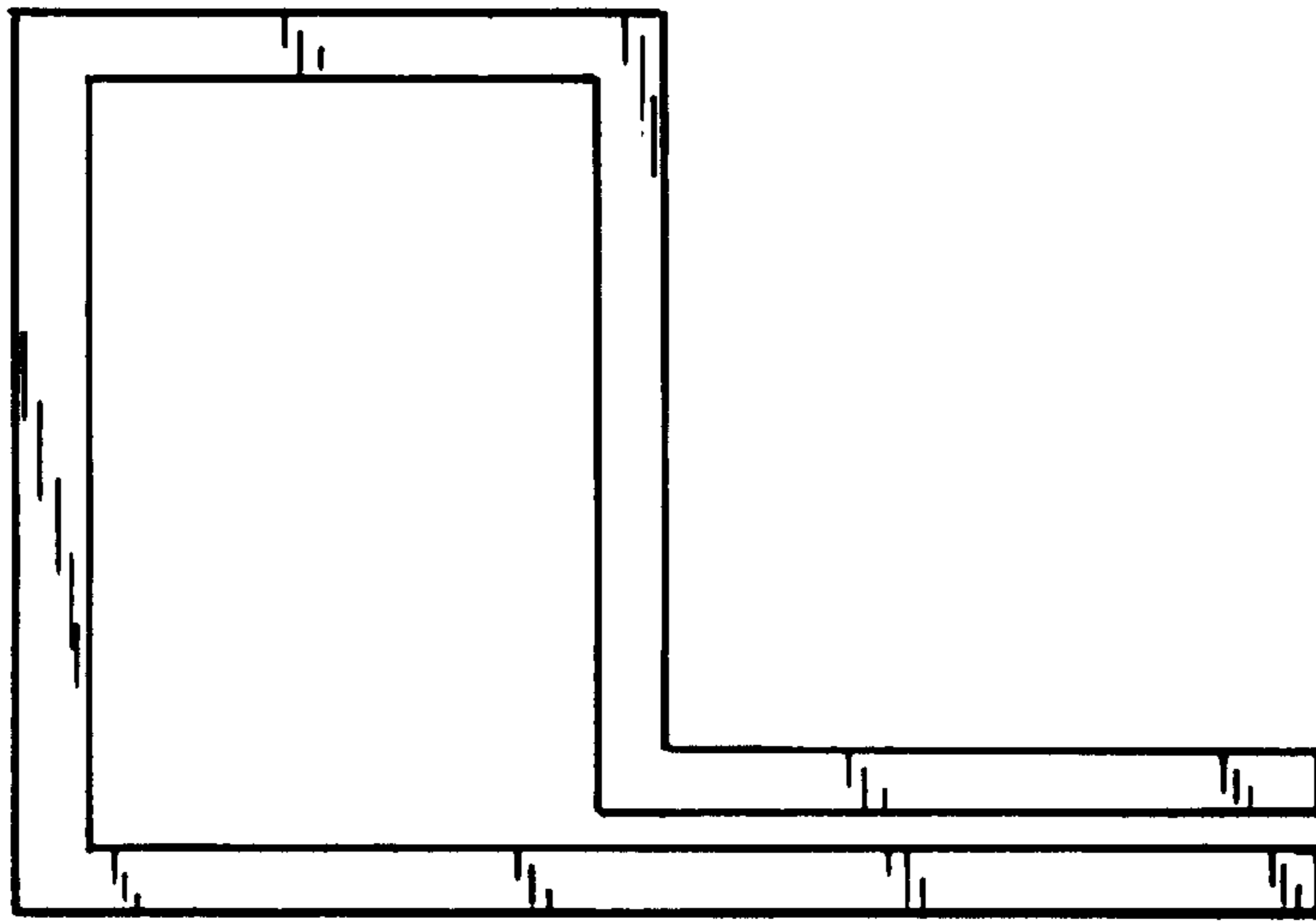


FIG . 2

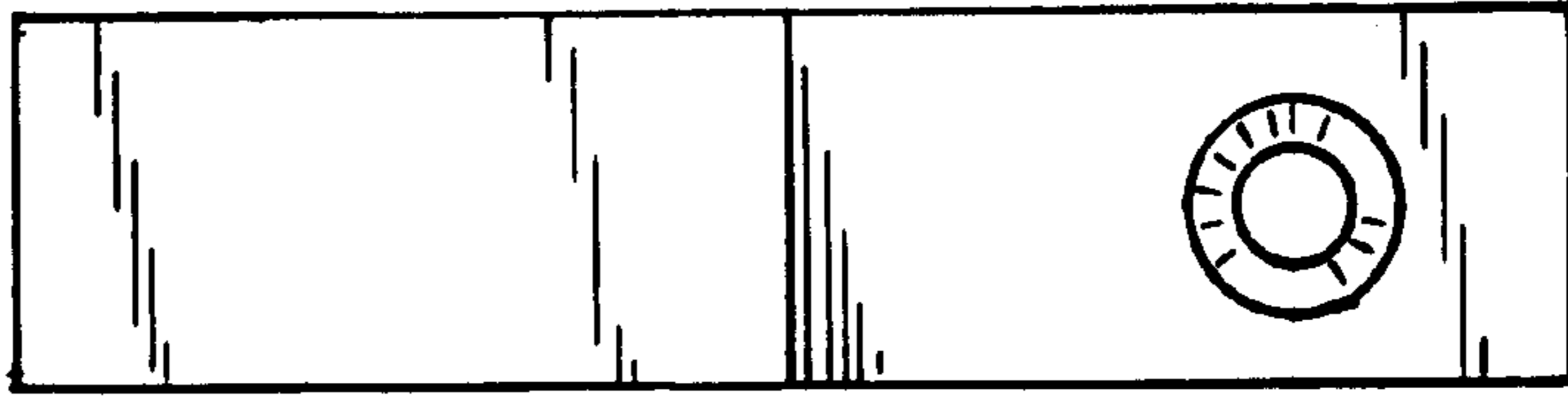


FIG. 5

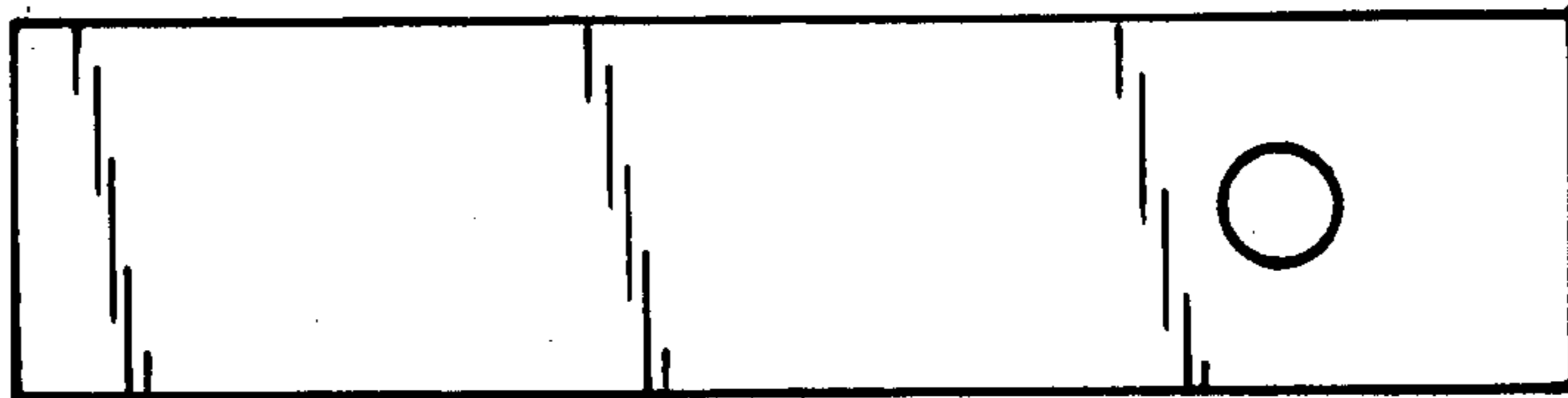


FIG. 6

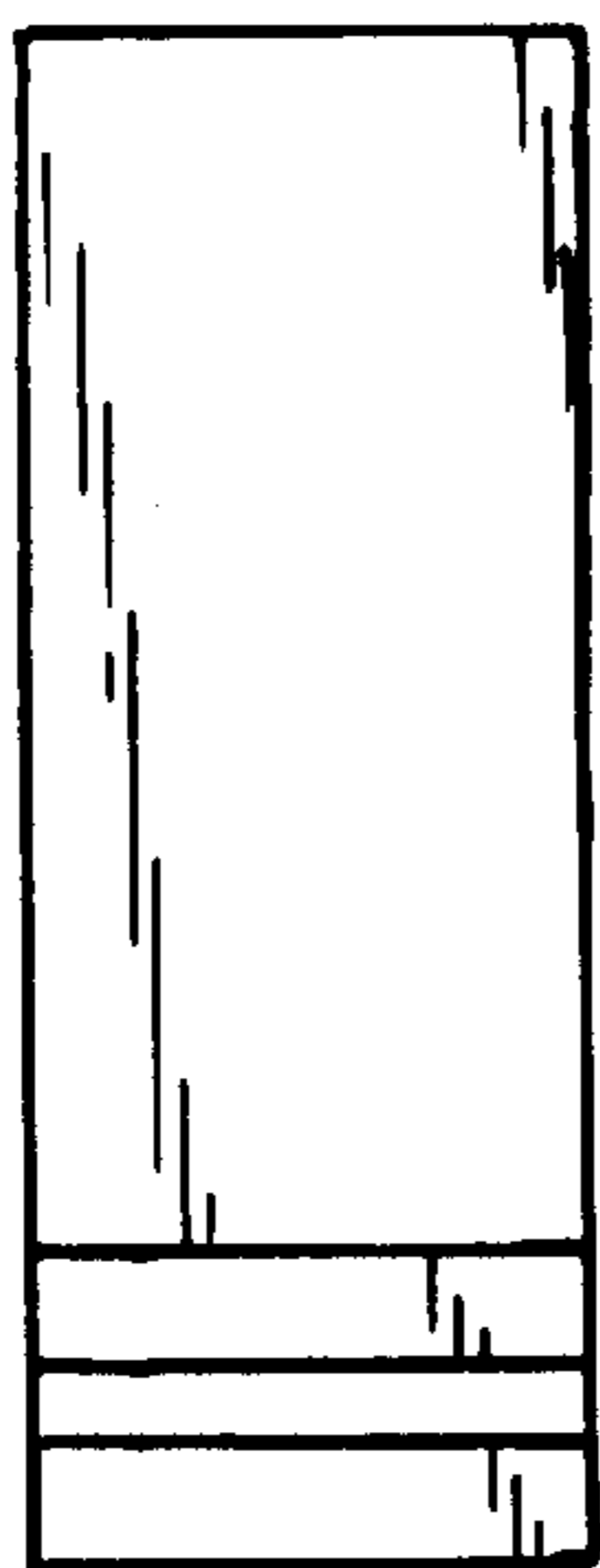


FIG. 4

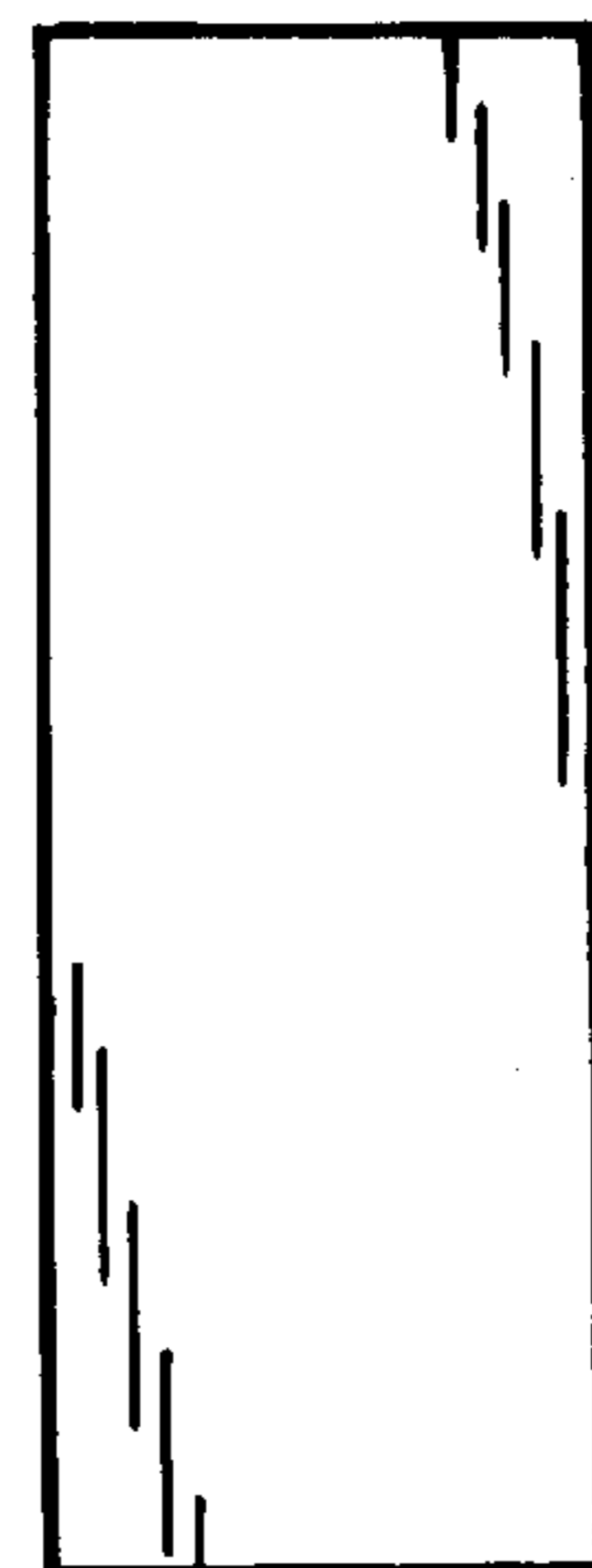


FIG. 3

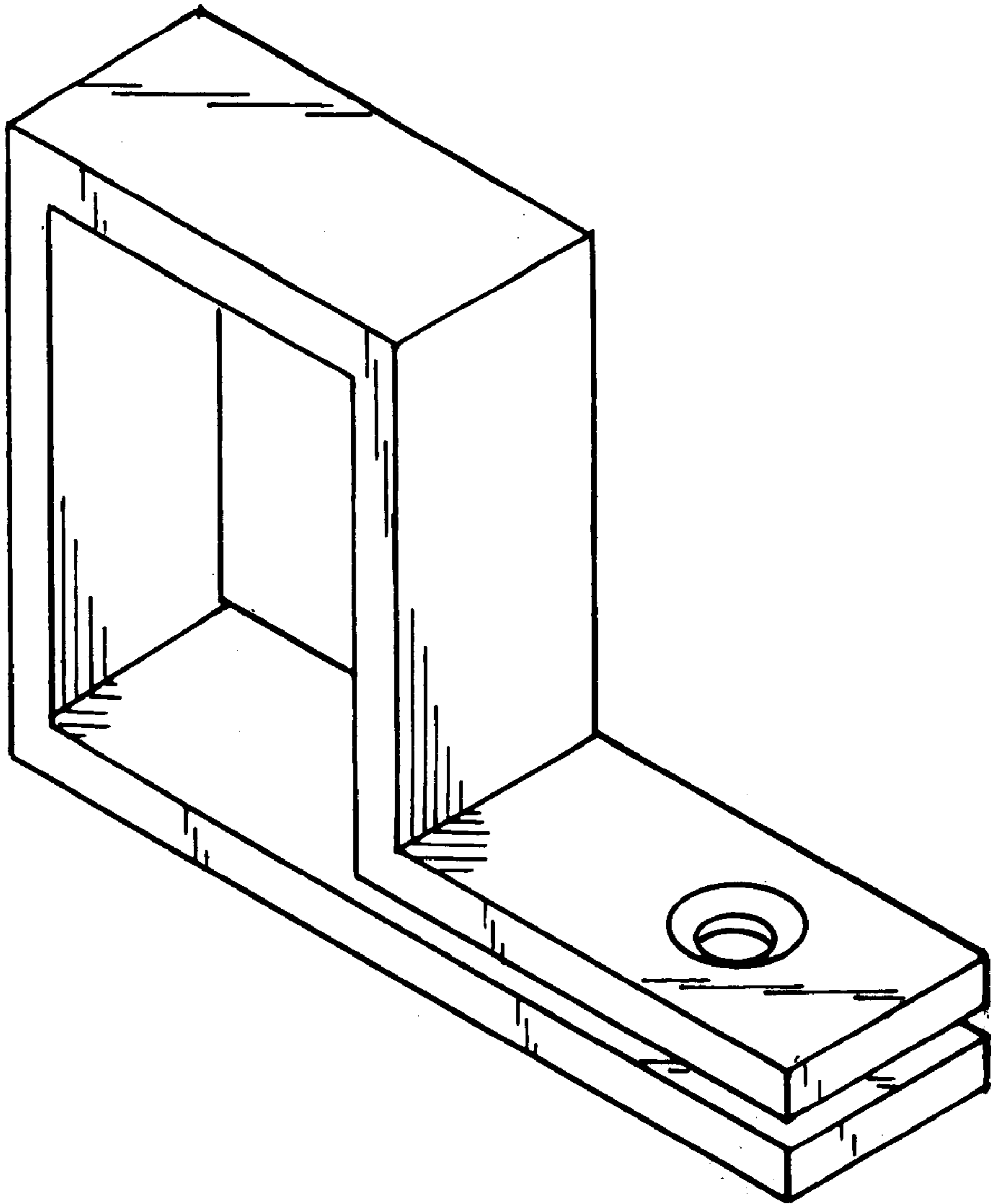


FIG 7