



US00D429456S

United States Patent [19]
Chen

[11] **Patent Number: Des. 429,456**

[45] **Date of Patent: ** Aug. 15, 2000**

[54] **AUTOMOBILE STEERING LOCK**

D. 418,041 12/1999 Chen D8/331

[76] Inventor: **Tian-Yuan Chen**, P.O. Box 90, Tainan City, Taiwan

Primary Examiner—Melody N. Brown

[**] Term: **14 Years**

[57] **CLAIM**

The ornamental design for automobile steering lock, as shown and described.

[21] Appl. No.: **29/114,449**

[22] Filed: **Nov. 26, 1999**

DESCRIPTION

[51] **LOC (7) Cl.** **08-07**

FIG. 1 is a perspective view of automobile steering lock showing my design;

[52] **U.S. Cl.** **D8/331; D12/177**

FIG. 2 is a front elevational view thereof;

[58] **Field of Search** D12/177; D8/331, D8/333; 70/209, 225, 232, 226, 227, 236, 238

FIG. 3 is a rear elevational view thereof;

FIG. 4 is a left side elevational view thereof;

FIG. 5 is a right side elevational view thereof;

FIG. 6 is a top plan view thereof;

FIG. 7 is a bottom plan view thereof; and,

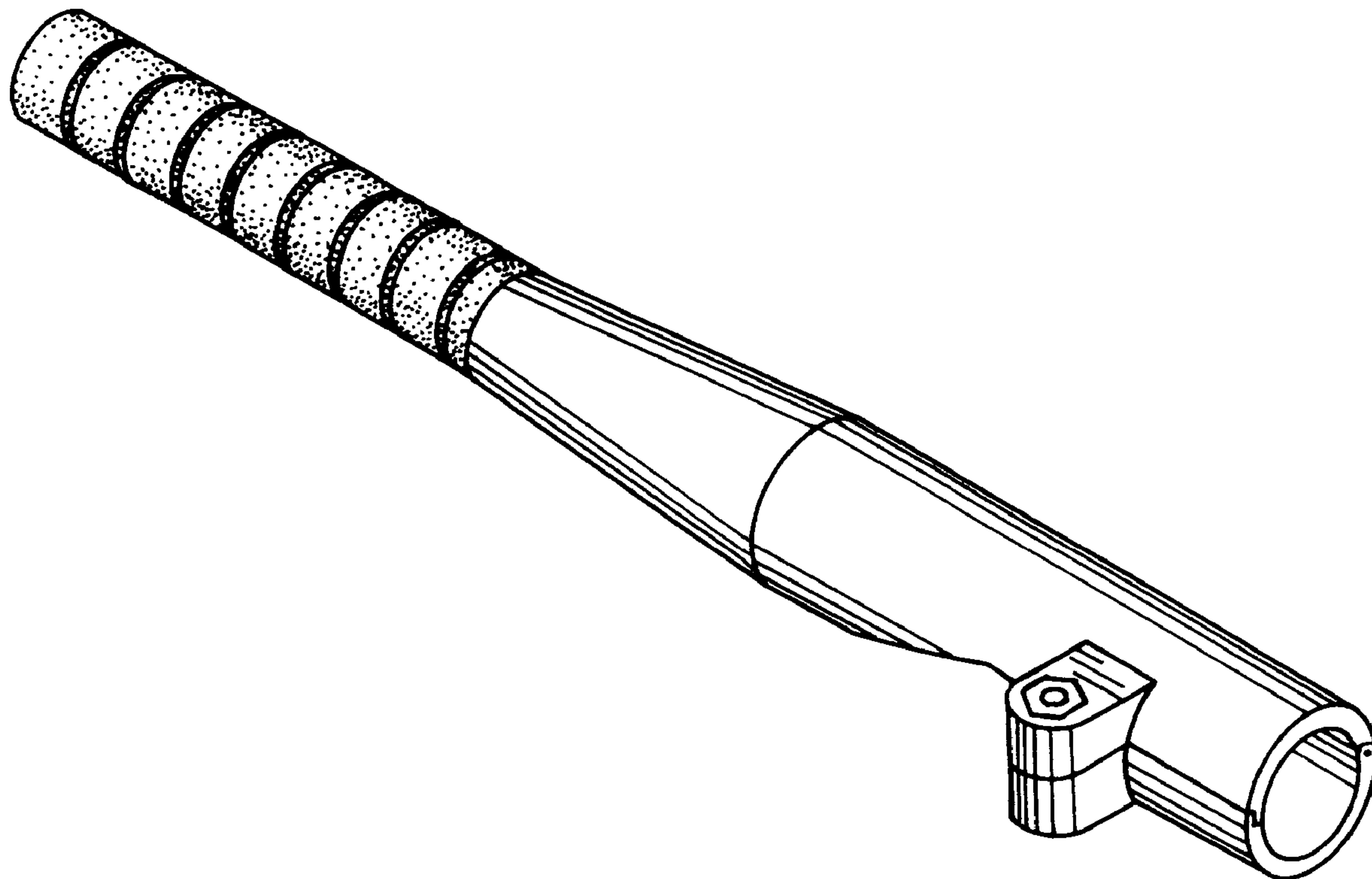
FIG. 8 is a perspective view thereof, the broken structure is for illustrative purposes only and forms no part of the claimed design.

[56] **References Cited**

U.S. PATENT DOCUMENTS

D. 369,738	5/1996	Hall, Jr.	D8/331
D. 369,951	5/1996	Crittender	D8/331
D. 370,616	6/1996	Fard	D8/331
D. 408,260	4/1999	Soares	D8/331

1 Claim, 4 Drawing Sheets



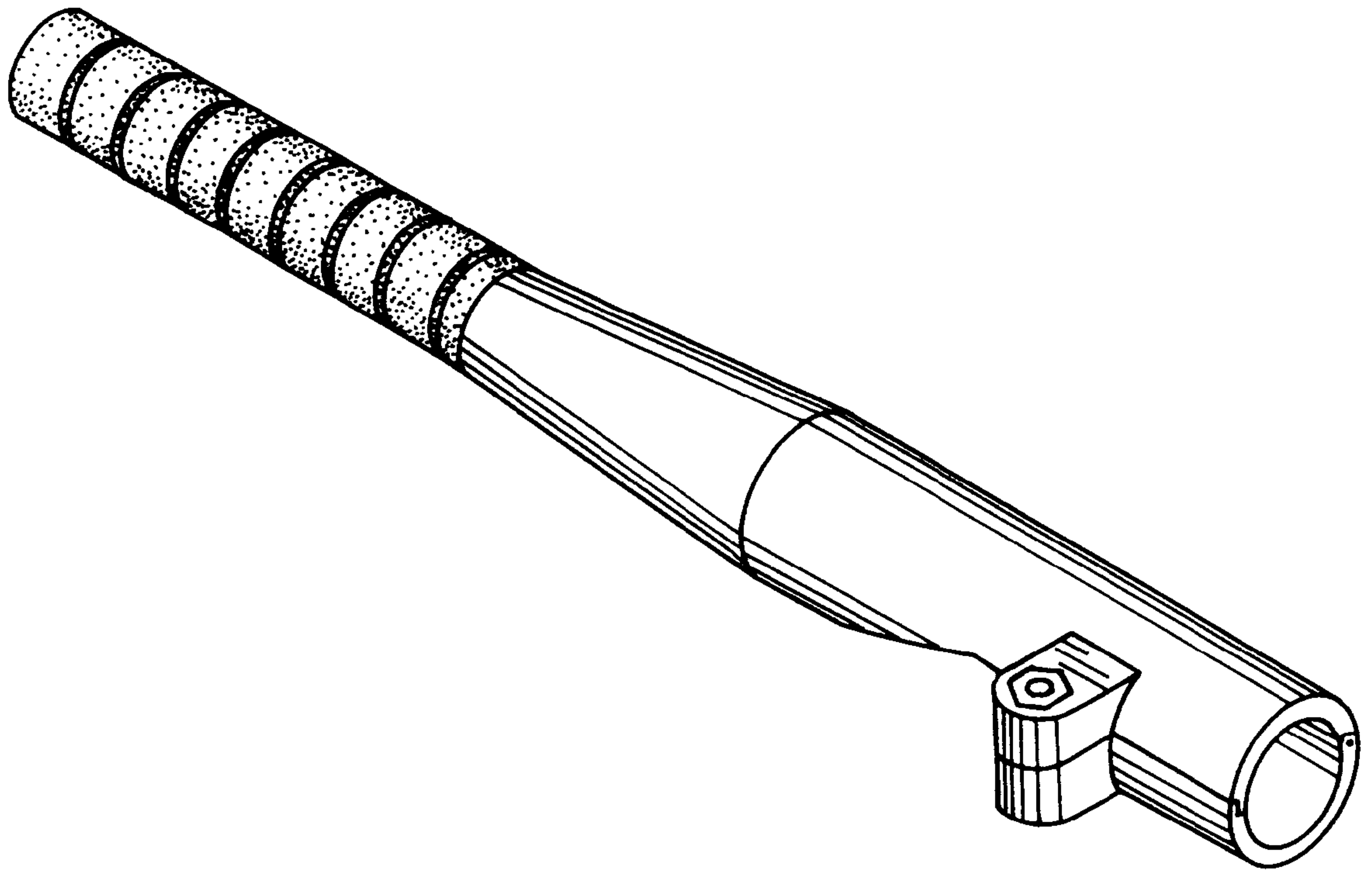


FIG. 1

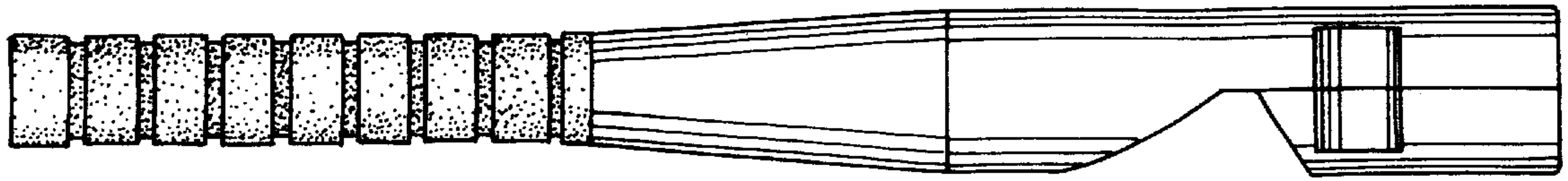


FIG. 2

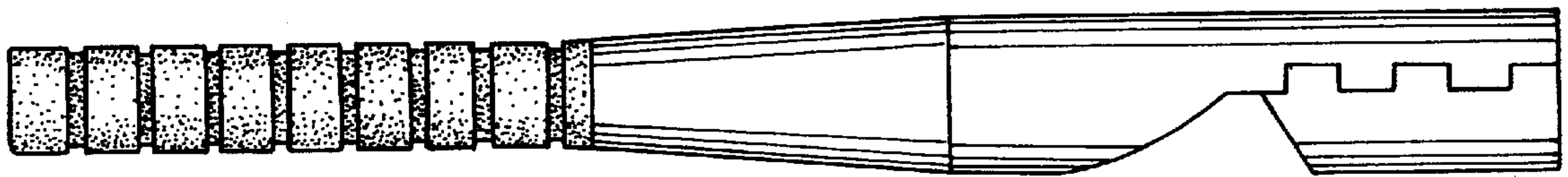


FIG. 3

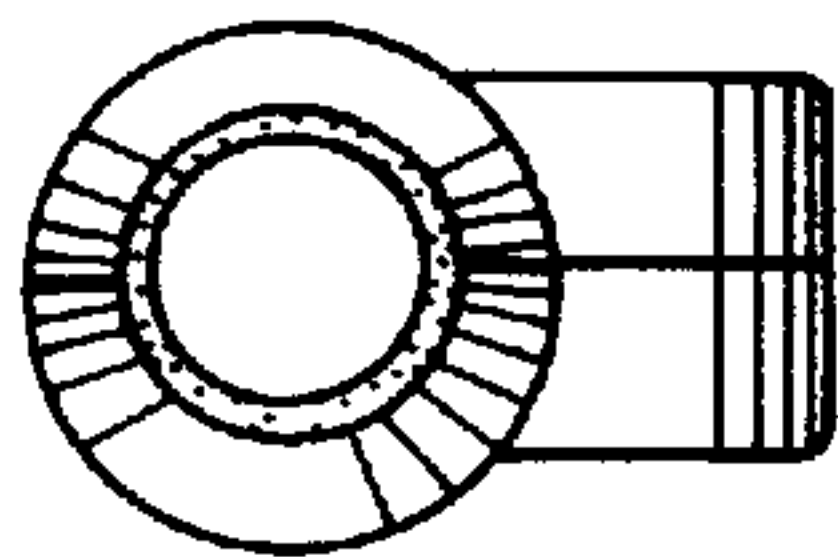


FIG. 4

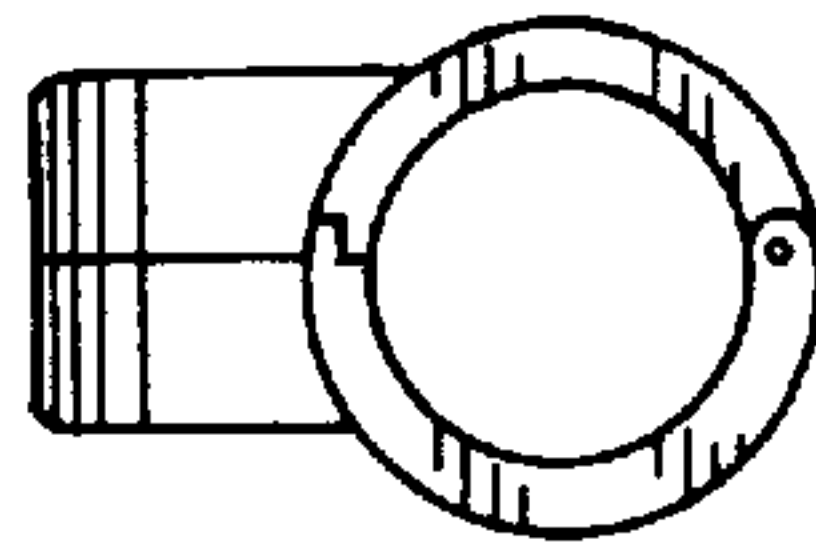


FIG. 5

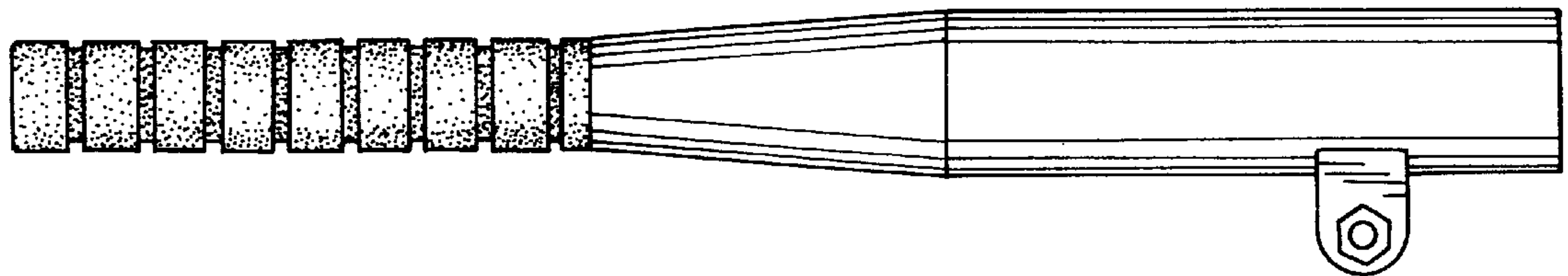


FIG. 6



FIG. 7

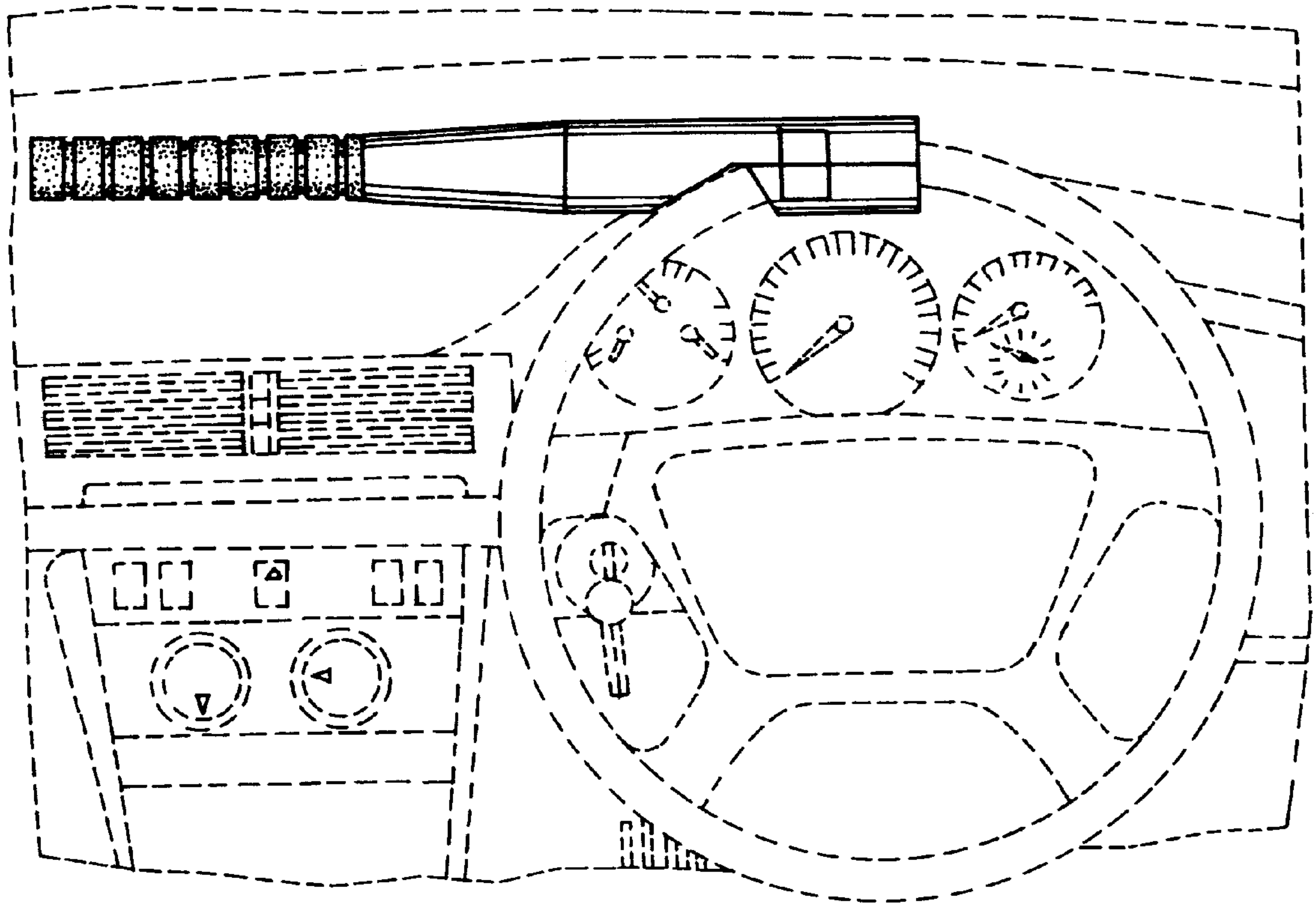


FIG. 8