



US00D429455S

United States Patent [19]

Burns et al.

[11] Patent Number: **Des. 429,455**

[45] Date of Patent: **** Aug. 15, 2000**

[54] **KNOB**

[75] Inventors: **Cari L. Burns**, River Forest, Ill.;
Robert Andrew Chieda, Akron, Ohio

[73] Assignee: **Newell Operating Company**, Freeport, Ill.

[*] Notice: This patent is subject to a terminal disclaimer.

[**] Term: **14 Years**

D. 248,445 7/1978 Palm, Jr. D8/310
 D. 326,219 5/1992 Clayton D8/310
 D. 327,407 6/1992 Clayton D8/310
 D. 368,638 4/1996 Sonnenleiter D8/310
 D. 368,640 4/1996 Sonnenleiter D8/310
 D. 396,179 7/1998 Burns et al. D8/310

Primary Examiner—B. J. Bullock
Attorney, Agent, or Firm—Foley & Lardner

[21] Appl. No.: **29/053,823**

[22] Filed: **Apr. 30, 1996**
 (Under 37 CFR 1.47)

[57] **CLAIM**
 The ornamental design for a knob, as shown and described.

[51] **LOC (7) Cl.** **08-06**

[52] **U.S. Cl.** **D8/310**

[58] **Field of Search** D8/300, 307, 310–312;
 16/110 R, 111 R, 121

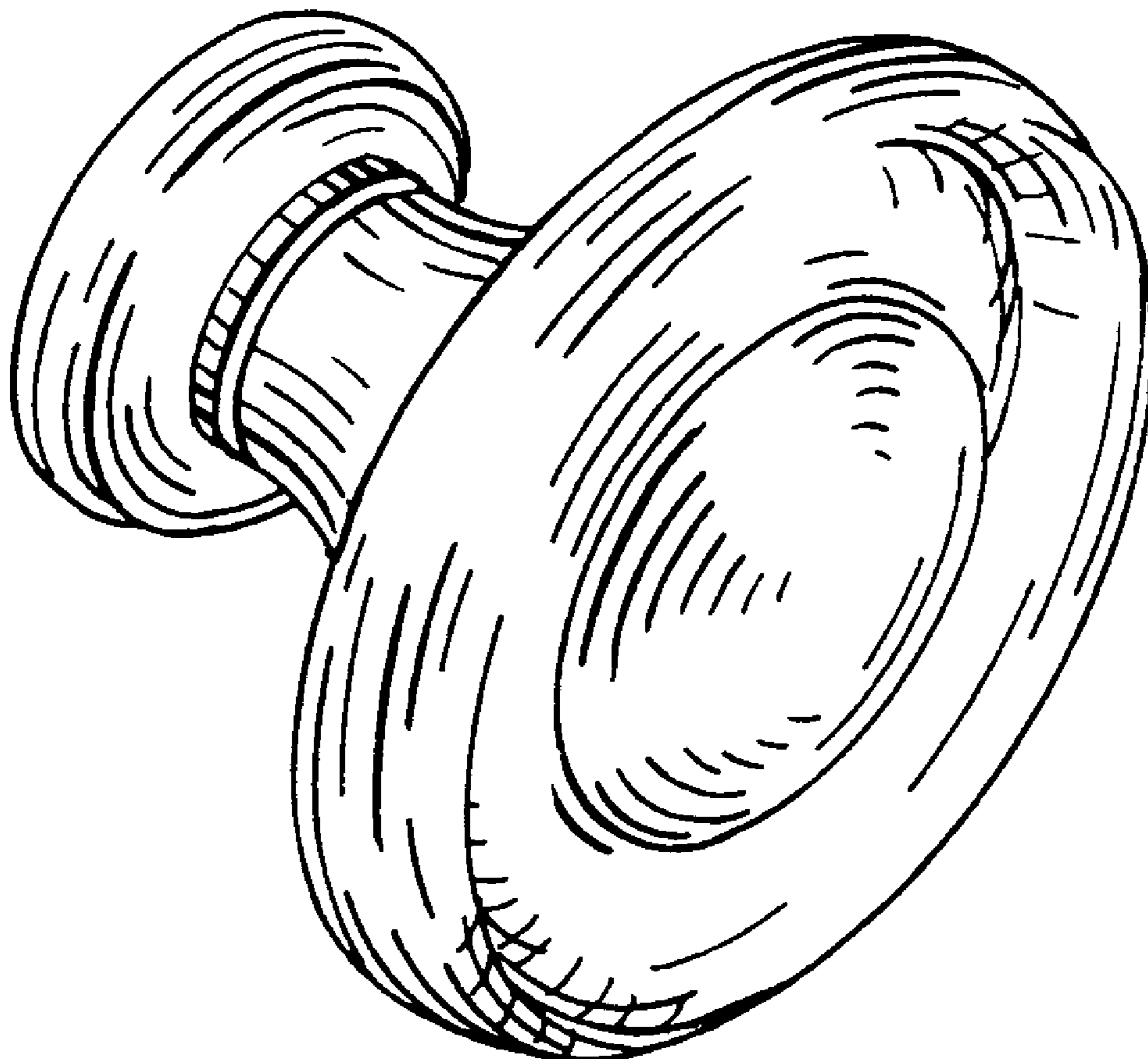
DESCRIPTION

FIG. 1 is a perspective view of a knob showing our new design;
 FIG. 2 is a left side view thereof, the right side being an inverse mirror image of the left view shown;
 FIG. 3 is a front view thereof;
 FIG. 4 is a top view thereof, the bottom view being an inverse mirror image of the top view shown;
 FIG. 5 is a rear view thereof; and,
 FIG. 6 is a transverse sectional view thereof.
 The broken line illustration of the mounting aperture in FIG. 5 is for illustrative purposes only and forms no part of the claimed design.

[56] **References Cited**
 U.S. PATENT DOCUMENTS

D. 214,867 8/1969 Holmes et al. D8/310
 D. 221,052 7/1971 McCain et al. D8/310

1 Claim, 1 Drawing Sheet



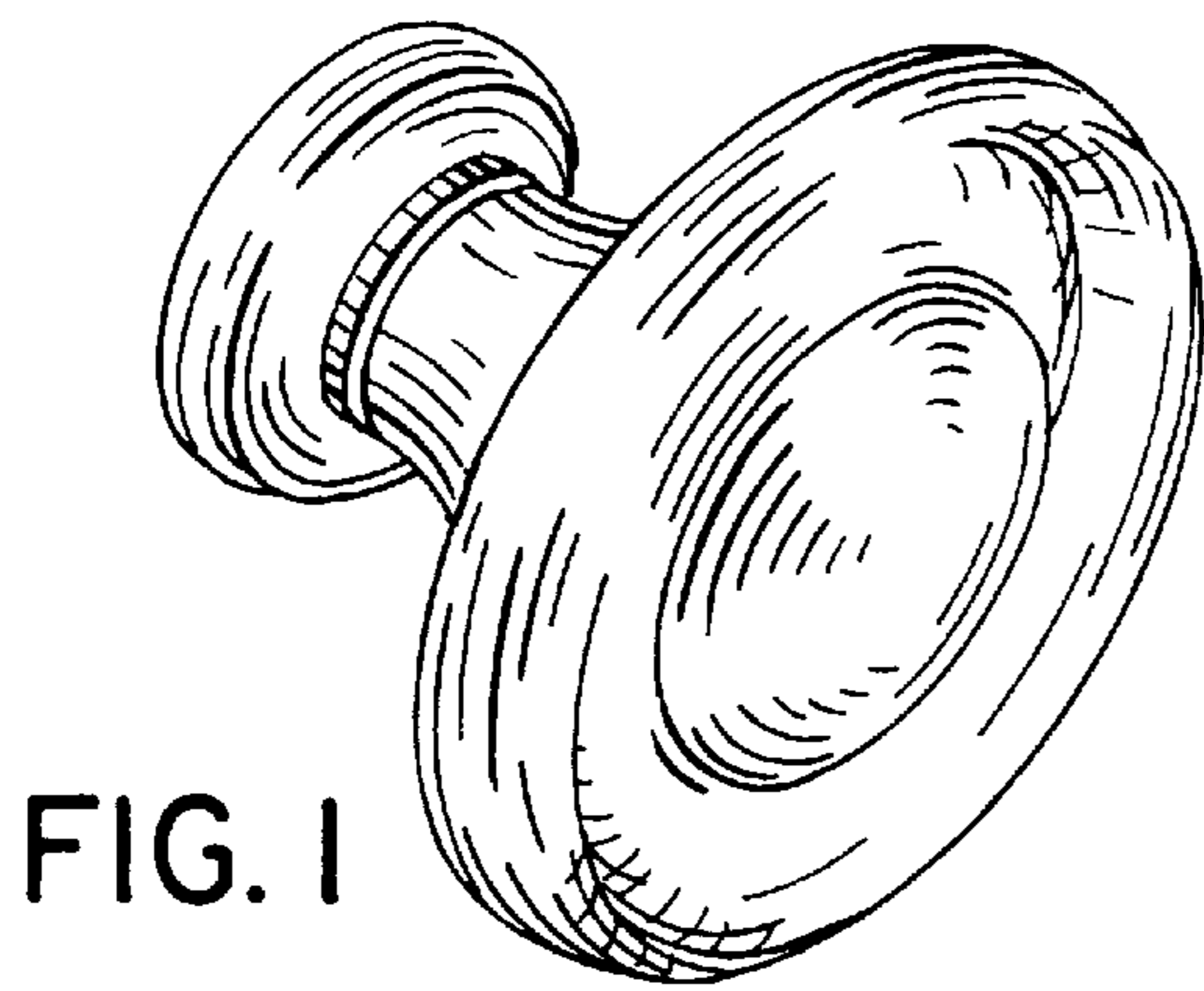


FIG. 1

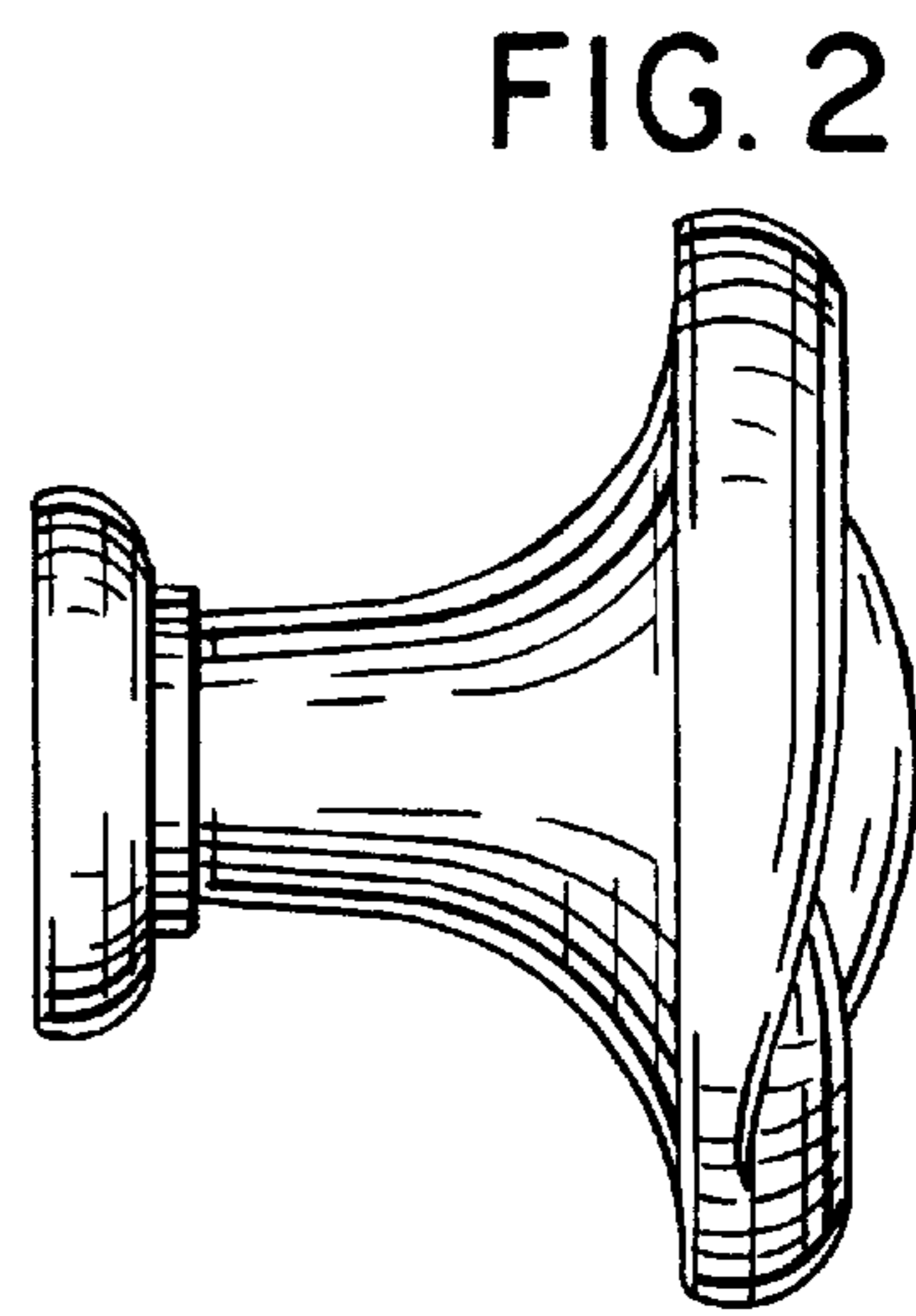


FIG. 2

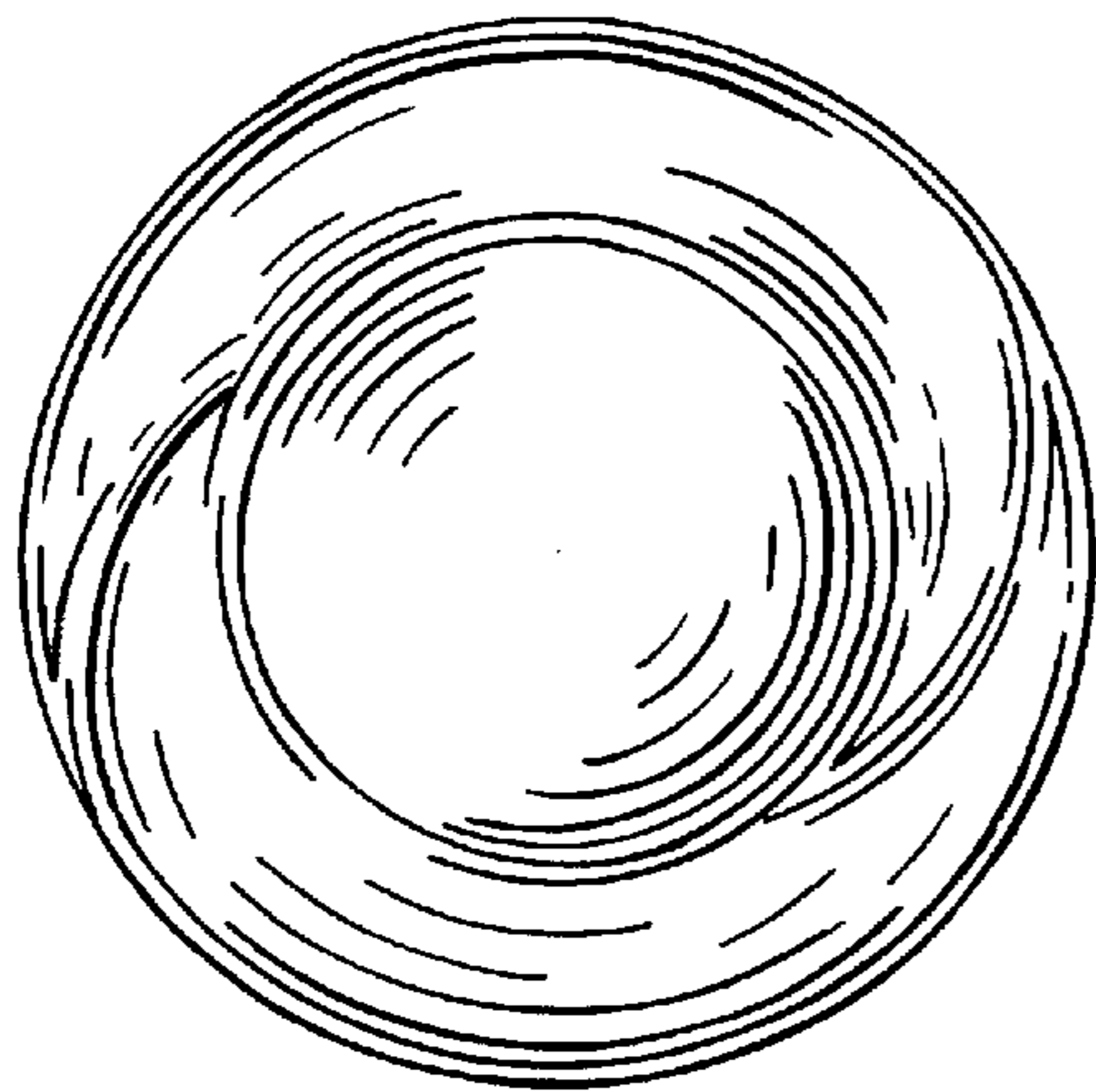


FIG. 3

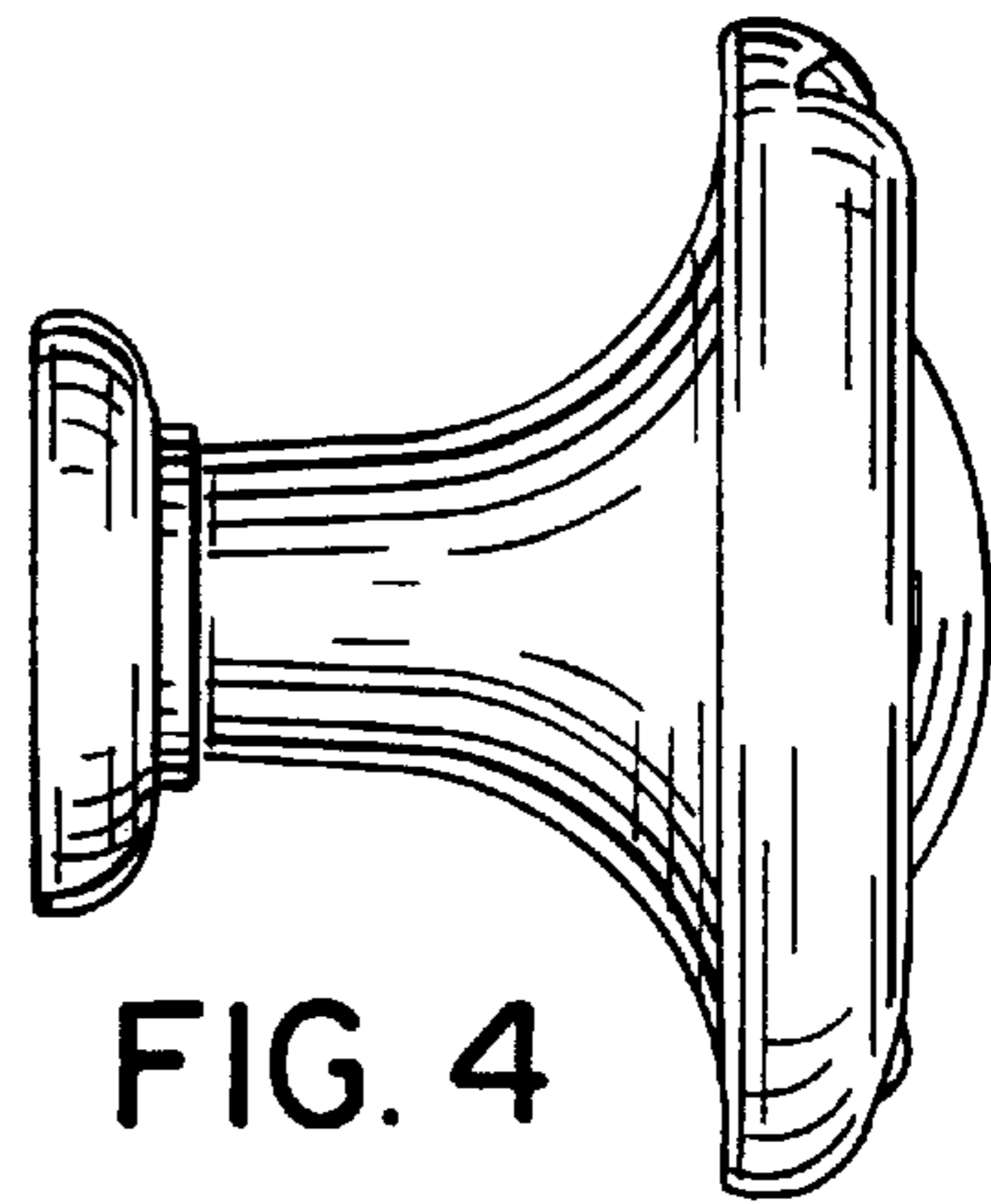


FIG. 4

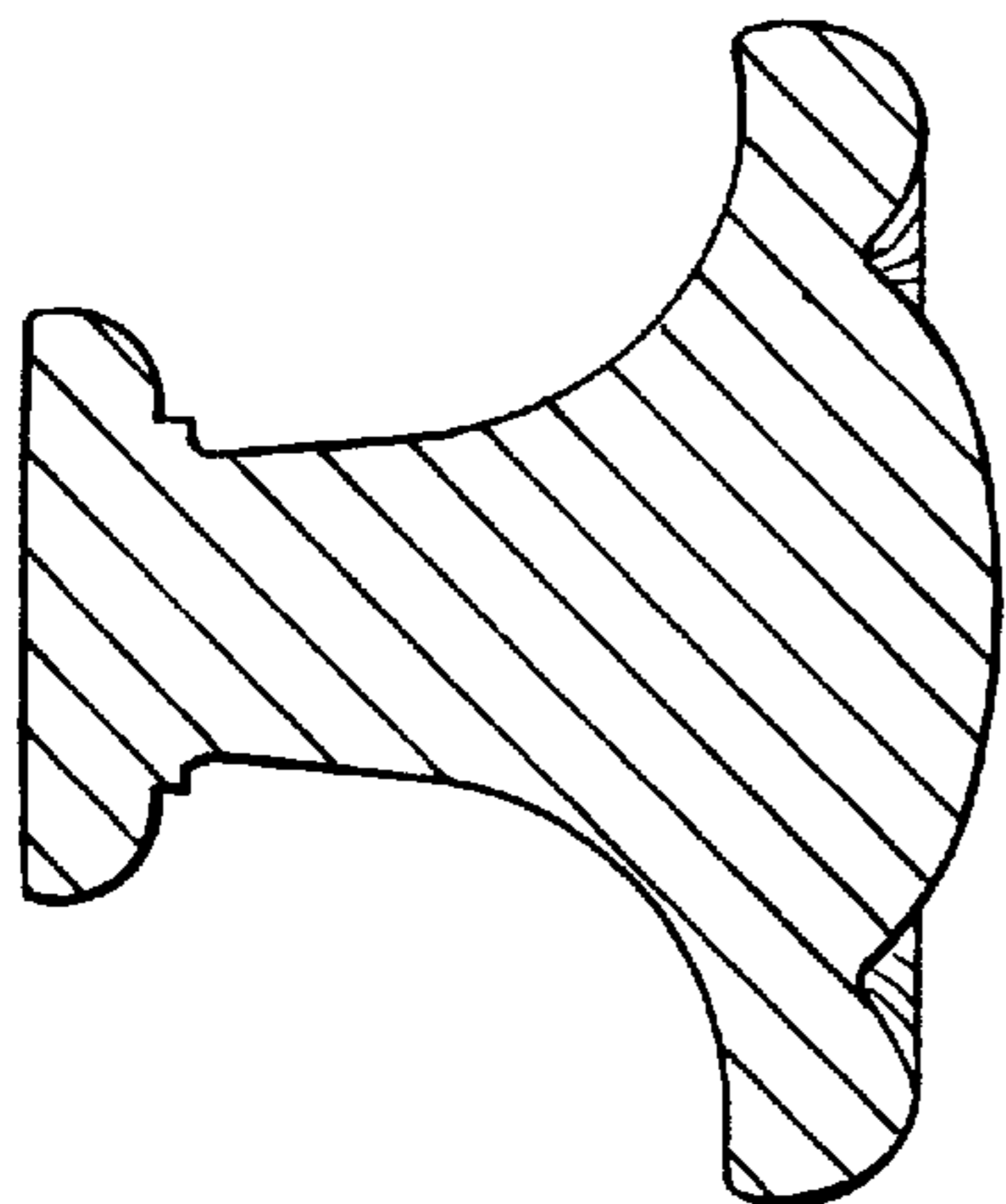


FIG. 6

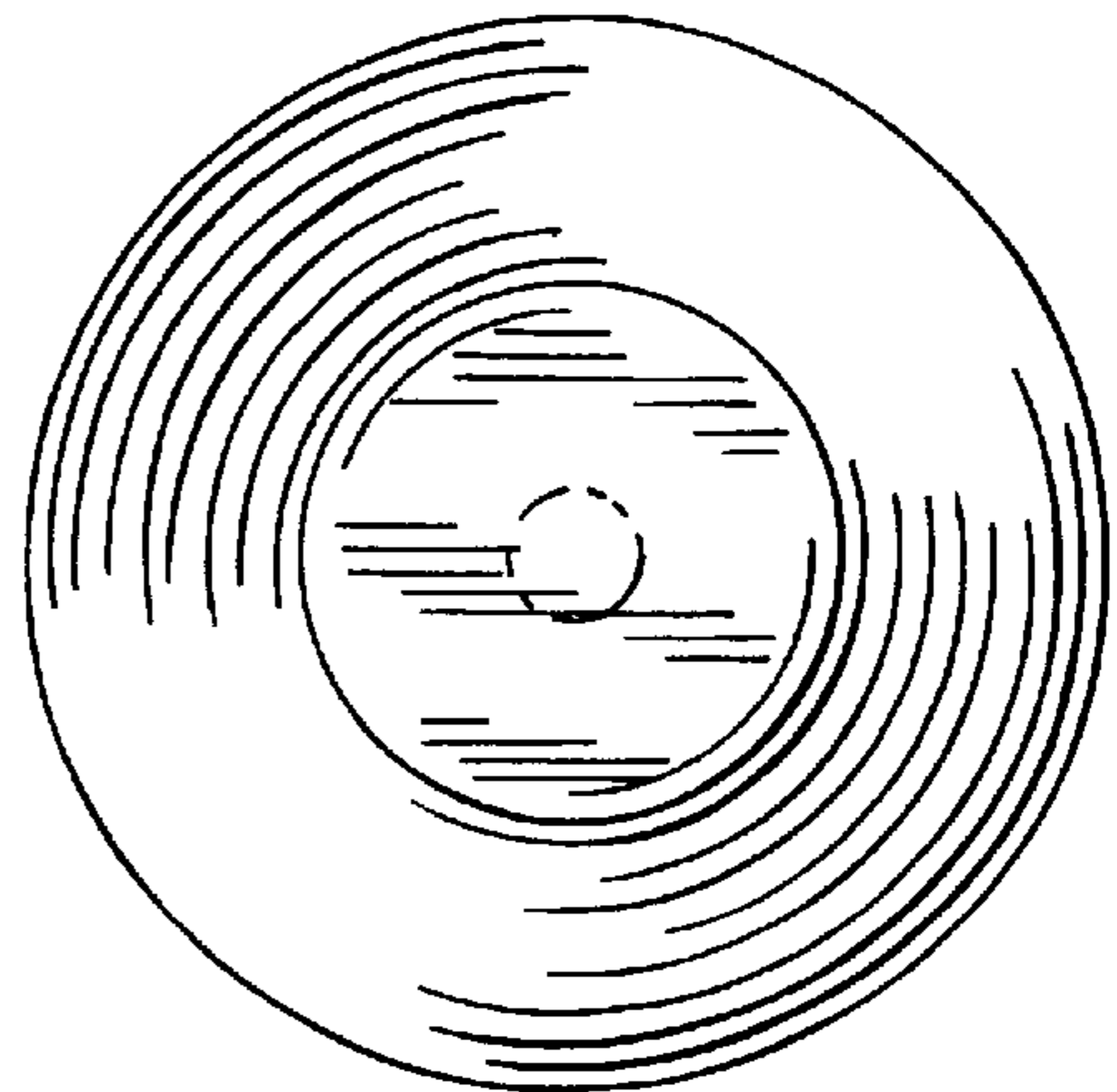


FIG. 5