



US00D429451S

**United States Patent** [19]  
**Taylor**

[11] **Patent Number: Des. 429,451**

[45] **Date of Patent: \*\* Aug. 15, 2000**

[54] **CAULKING GUN WITH FOLDABLE OPERATING HANDLE**

5,875,920 3/1999 Parent ..... 222/1

[76] Inventor: **Curtis P. Taylor**, 10 N. Main St.,  
Chagrin Falls, Ohio 44022

*Primary Examiner*—Philip S. Hyder  
*Attorney, Agent, or Firm*—David A. Burge

[\*\*] Term: **14 Years**

[57] **CLAIM**

I claim the ornamental design for a caulking gun with foldable operating handle, as shown and described.

[21] Appl. No.: **29/105,035**

**DESCRIPTION**

[22] Filed: **May 17, 1999**

[51] **LOC (7) Cl.** ..... **08-05**

[52] **U.S. Cl.** ..... **D8/14.1**

[58] **Field of Search** ..... D8/14, 14.1, 51;  
222/391, 327, 325, 326

FIG. 1 is a perspective view showing front, top and right portions of a caulking gun with foldable operating handle embodying my design, with the plunger of the caulking gun nested and the operating handle of the caulking gun folded, it being understood that the front and rear sides of the gun are mirror images of each other;

FIG. 2 is a perspective view thereof showing front, bottom and right portions;

FIG. 3 is a perspective view thereof showing front, top and left portions;

FIG. 4 is a perspective view showing the front, bottom and right side portions, with the plunger and operating handle extended, wherein the broken line showing of the caulk tube is for illustrative purposes only and forms no part of the claimed design;

FIG. 5 is a perspective view showing the front, top and right side portions, with the plunger and operating handle extended, wherein the broken line showing of the caulk tube is for illustrative purposes only and forms no part of the claimed design;

FIG. 6 is a top plan view of the caulking gun on a diminished scale with the plunger and operating handle extended;

FIG. 7 is a bottom plan view thereof, on the same diminished scale as FIG. 6;

FIG. 8 is a left end elevational view thereof, on an enlarged scale; and,

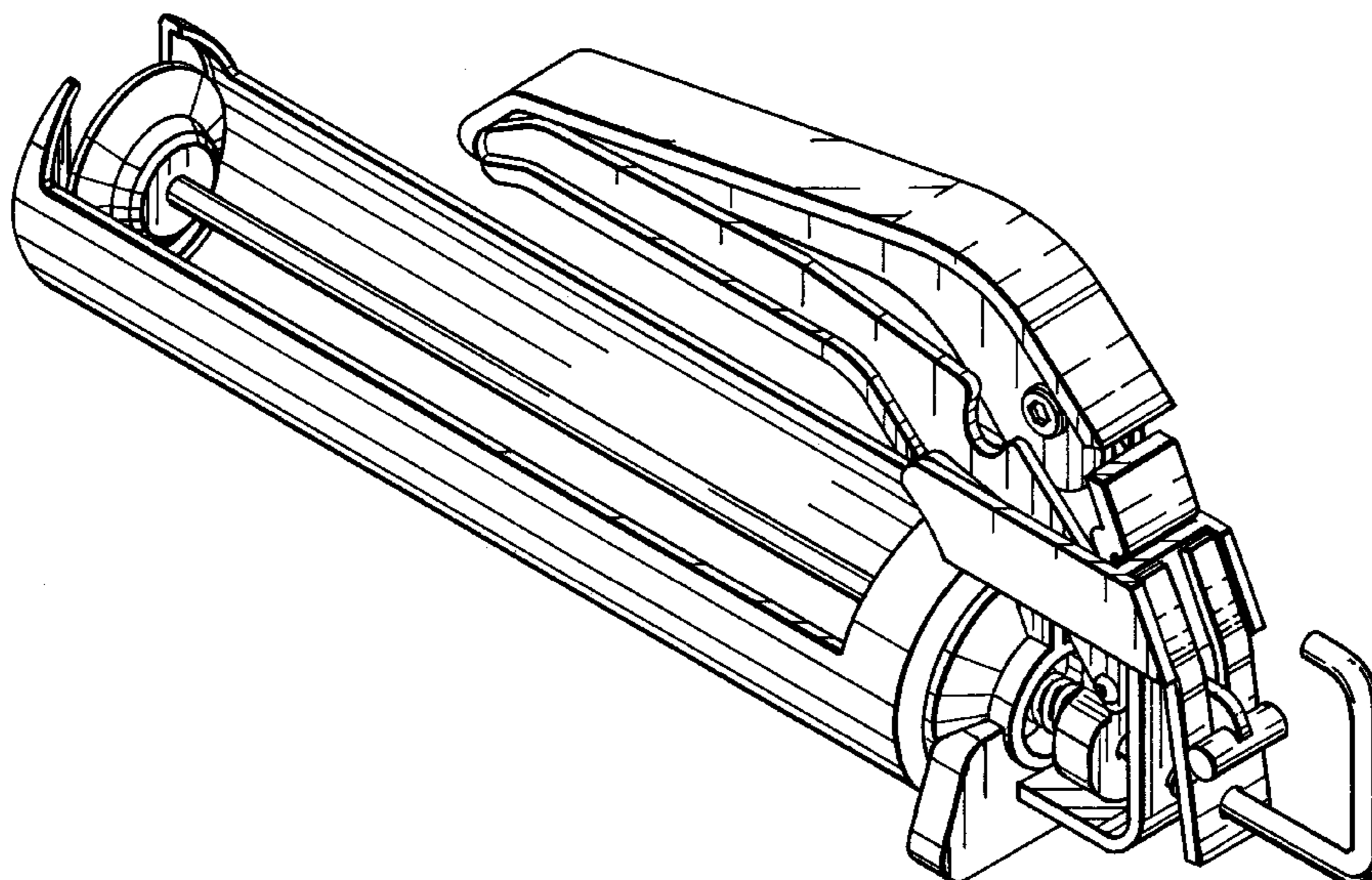
FIG. 9 is a right end elevational view thereof, on the same enlarged scale as FIG. 8.

[56] **References Cited**

**U.S. PATENT DOCUMENTS**

D. 170,428	9/1953	Peterson .....	D8/14.1
D. 181,600	12/1957	Nilsson .	
D. 246,221	11/1977	Cox .....	D8/14.1
D. 257,213	10/1980	Wegmann et al. ....	D8/5
D. 285,895	9/1986	Cox .....	D8/14.1
D. 388,672	1/1998	Kelders et al. ....	D8/14.1
634,786	10/1899	Willower .	
679,983	8/1901	O'Neil .	
977,282	11/1910	De Vilbiss .	
1,435,908	11/1922	Muehl .	
1,735,299	11/1929	Rudesyle .	
1,847,188	3/1932	Kreidel .	
2,604,858	7/1952	Bosa .....	107/14
3,231,149	1/1966	Yuza .....	222/324
3,750,913	8/1973	Wild .....	222/387
3,774,819	11/1973	Bratton .....	222/391
4,509,662	4/1985	Weiss .....	222/391
4,966,537	10/1990	Bowles et al. ....	425/87
5,004,124	4/1991	Stefaniak et al. ....	222/136
5,046,642	9/1991	Cathcart, Sr. et al. ....	222/153
5,156,305	10/1992	Eyre .....	222/327
5,246,144	9/1993	Cathcart, Sr. et al. ....	222/153
5,323,931	6/1994	Robards, Jr. et al. ....	222/96
5,860,568	1/1999	Mallalieu et al. ....	222/83.5

**1 Claim, 7 Drawing Sheets**



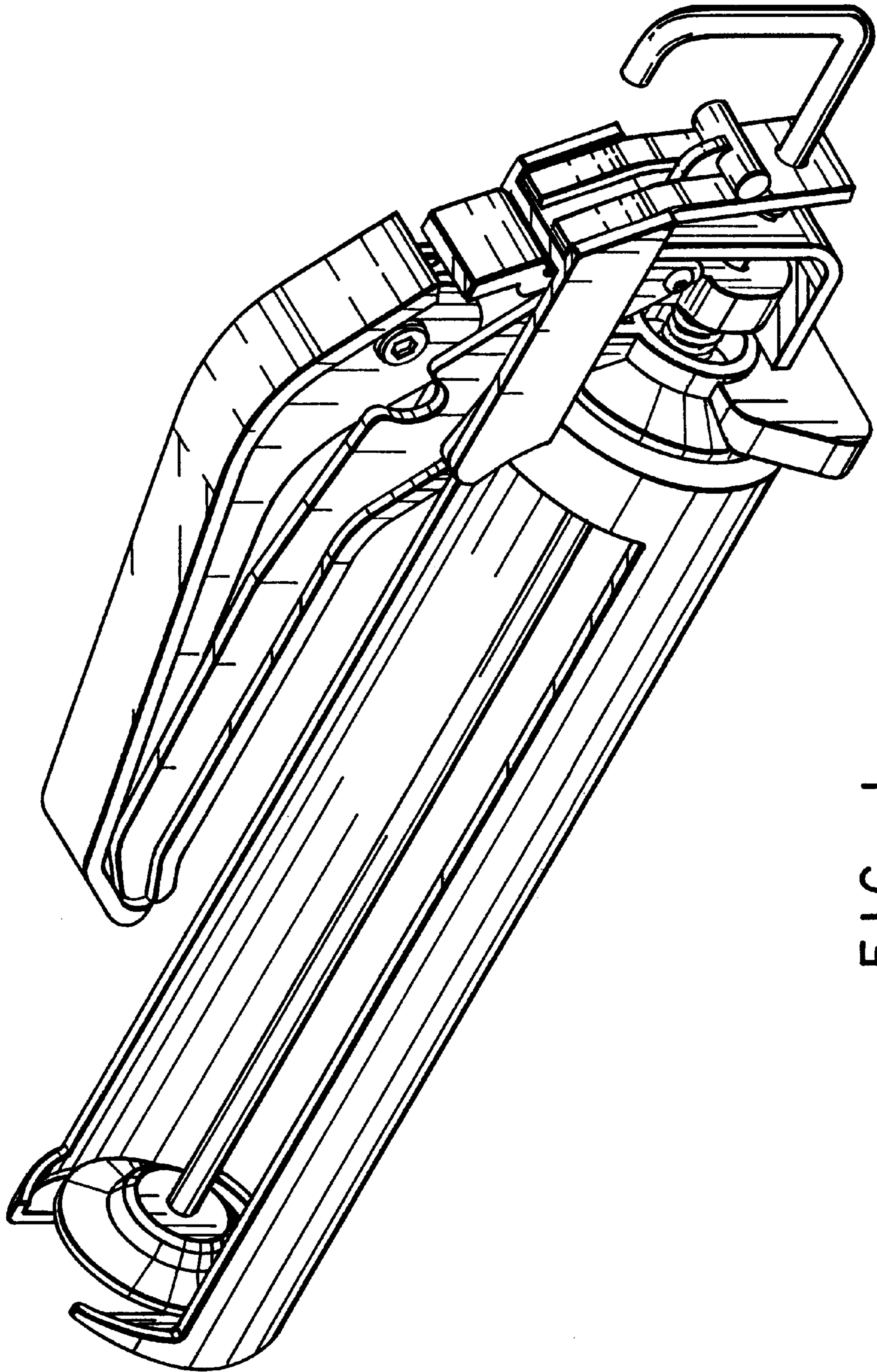


FIG. 1

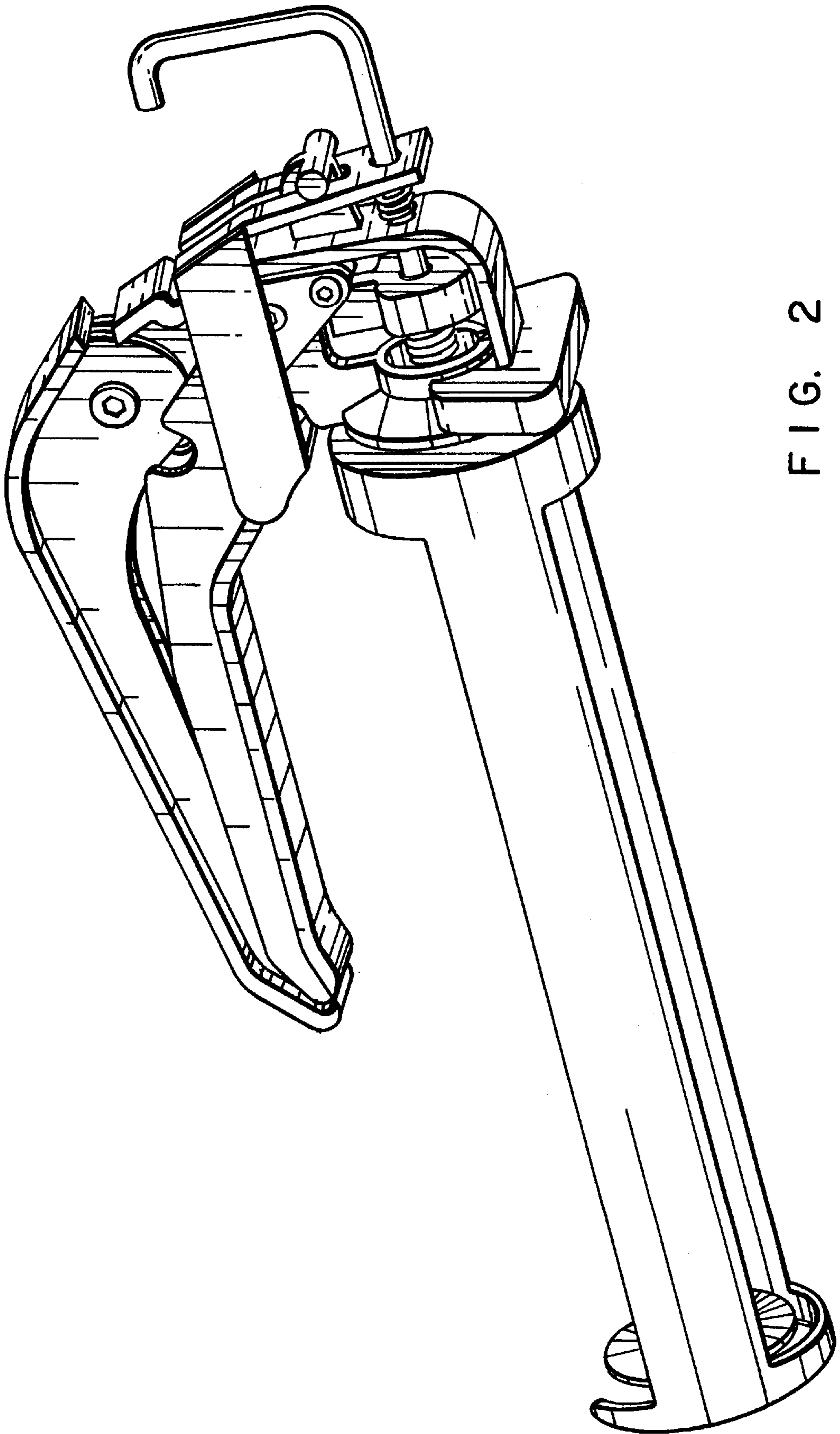


FIG. 2

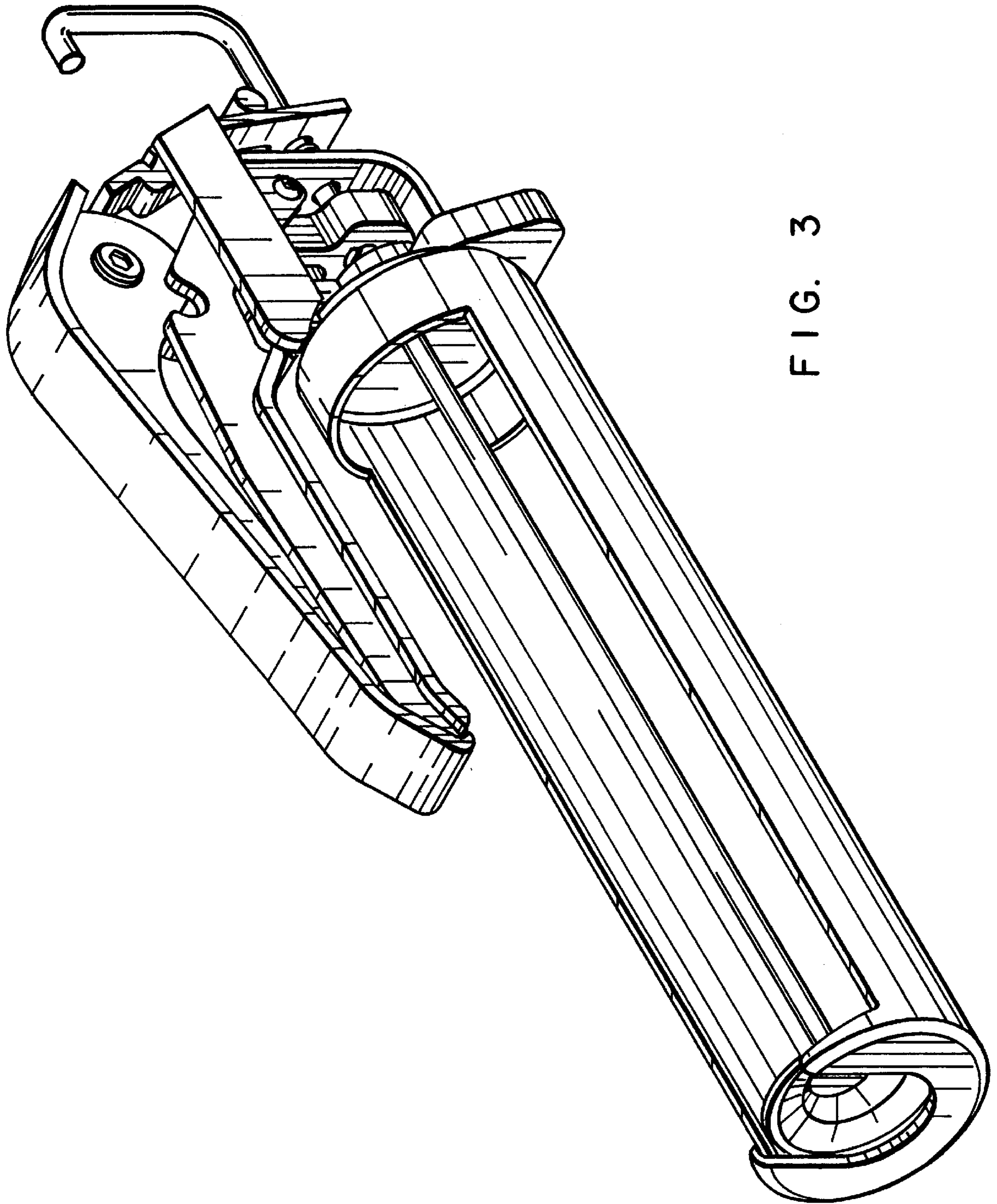


FIG. 3

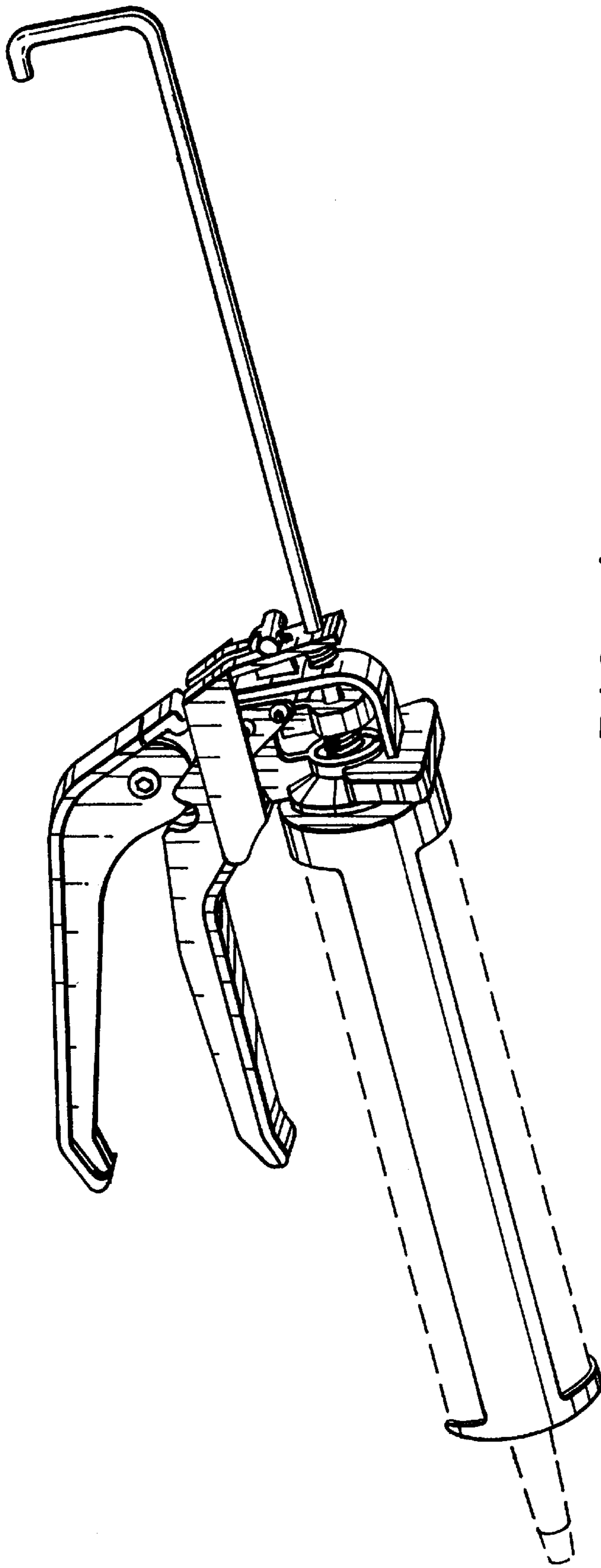


FIG. 4

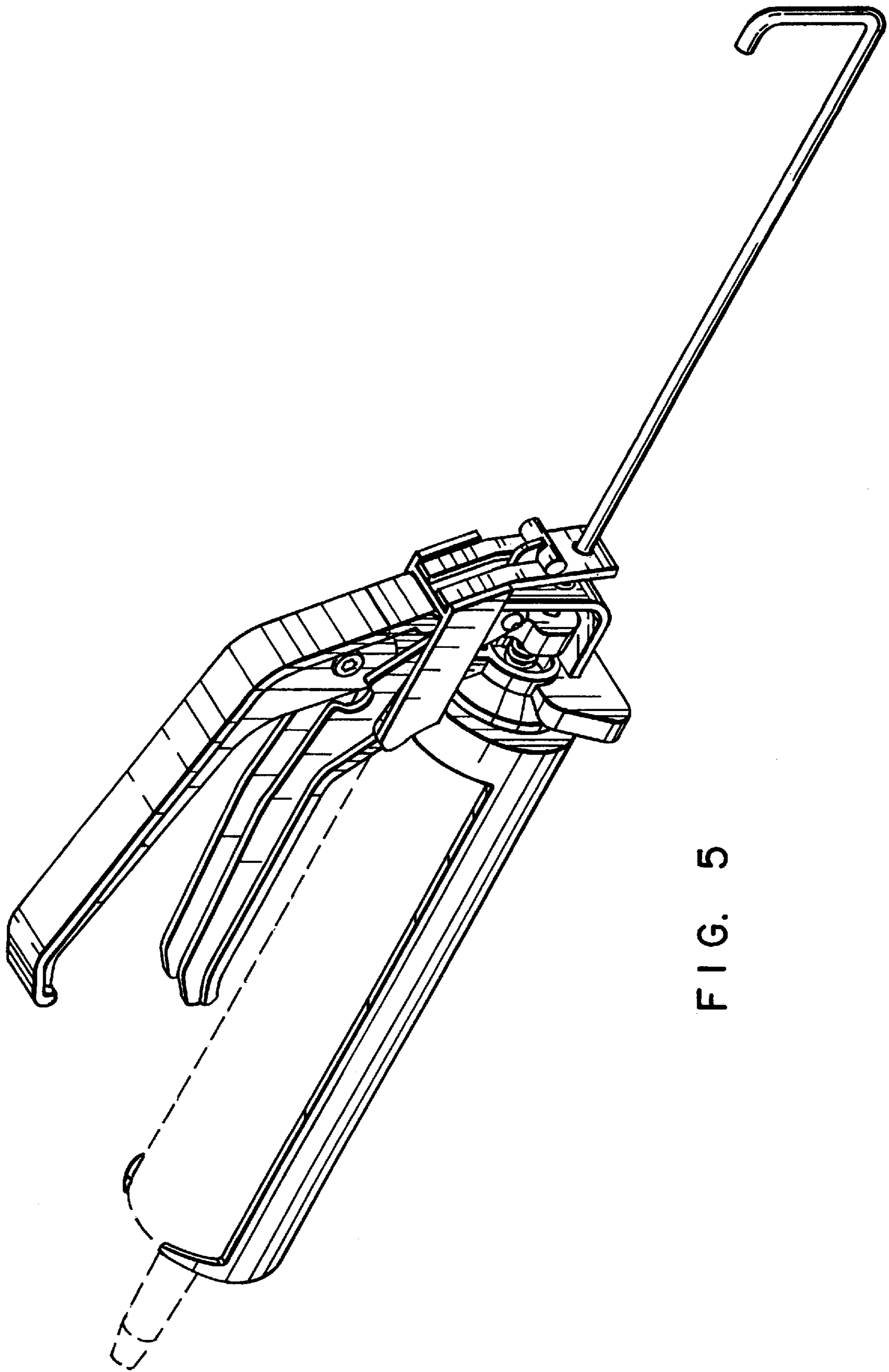


FIG. 5

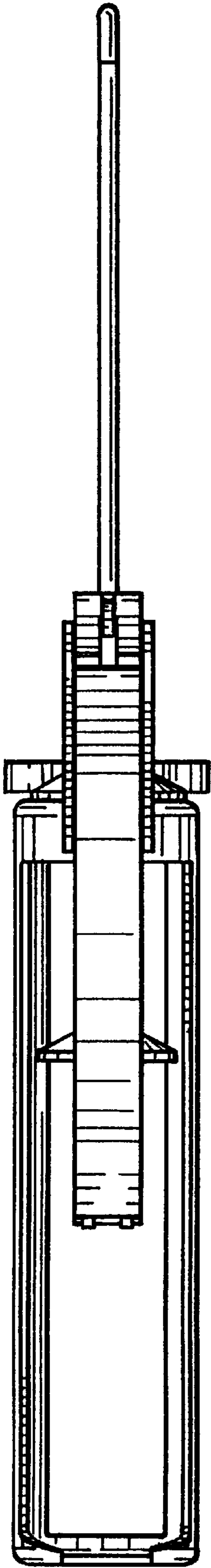


FIG. 6

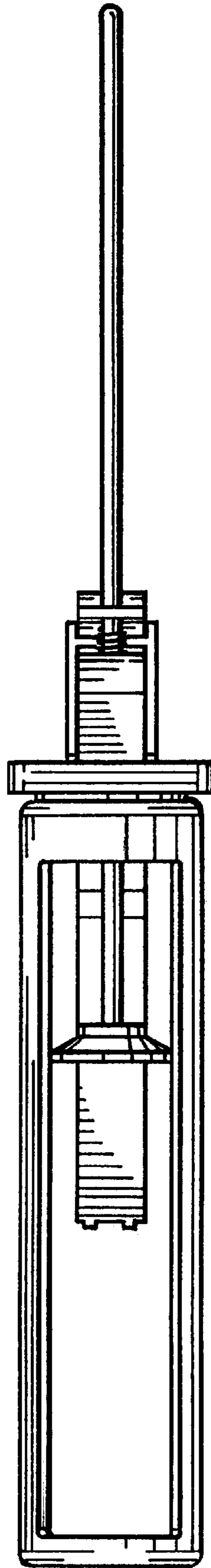


FIG. 7

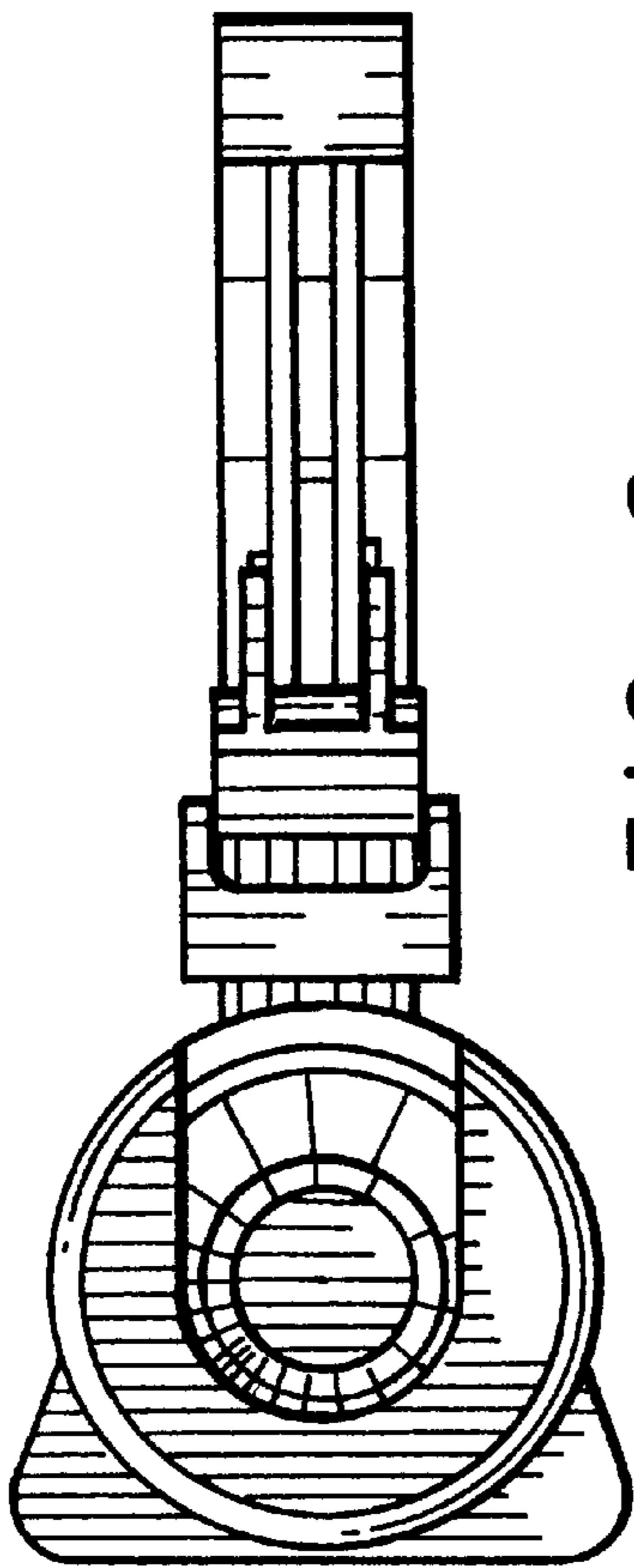


FIG. 8

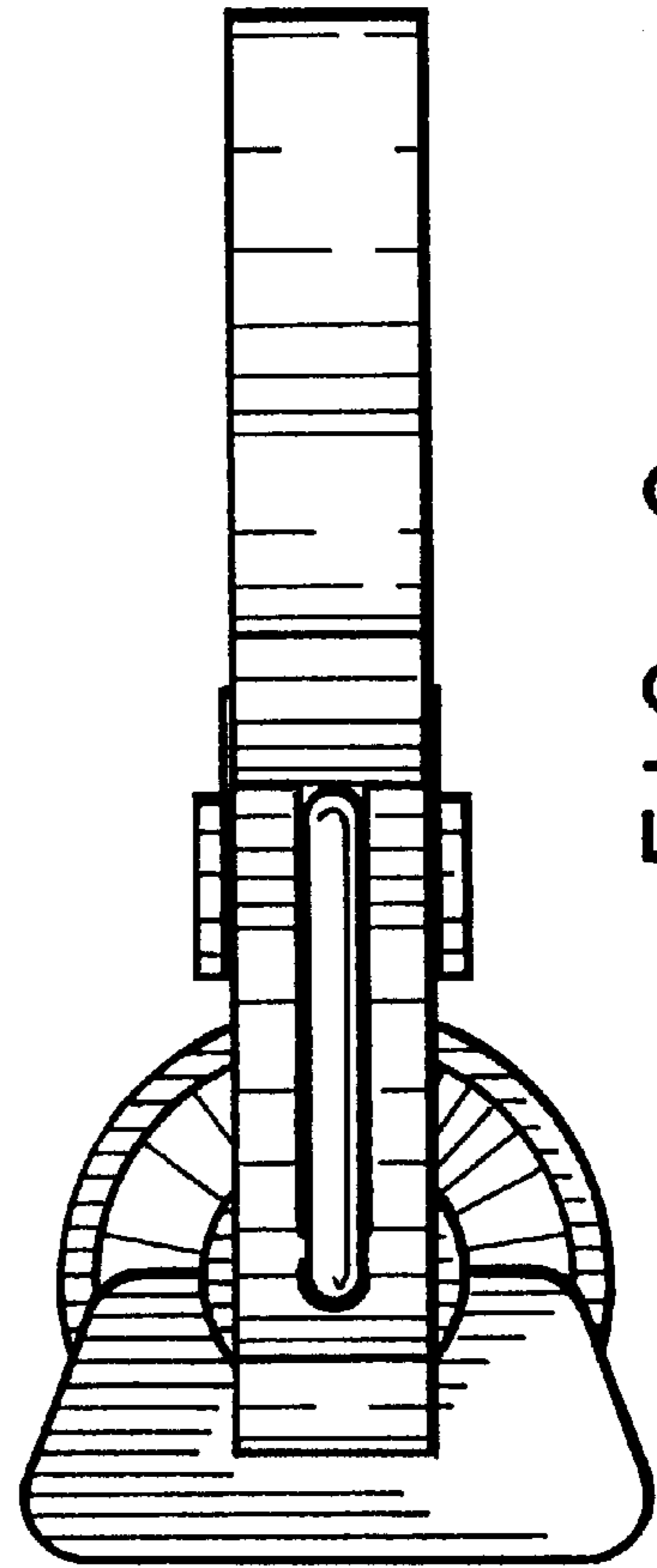


FIG. 9