



US00D429445S

United States Patent [19] Sung

[11] **Patent Number: Des. 429,445**

[45] **Date of Patent: ** Aug. 15, 2000**

[54] **UTILITY LIGHTER**

[76] **Inventor: Kil Yong Sung**, 1434 Atherton Cir., Fullerton, Calif. 92833

[**] **Term: 14 Years**

[21] **Appl. No.: 29/118,955**

[22] **Filed: Feb. 18, 2000**

[51] **LOC (7) Cl. 07-99**

[52] **U.S. Cl. D7/416**

[58] **Field of Search** D7/416, 417; D27/154, D27/131; 431/13, 143, 255, 345, 344; 126/25 B; 417/411, 234; 361/260, 262

[56] **References Cited**

U.S. PATENT DOCUMENTS

D. 327,813	7/1992	Shike et al.	D7/416
D. 377,736	2/1997	Iwagaki et al.	D7/416
D. 379,415	5/1997	Mindle	D7/416
D. 389,699	1/1998	Hsu	D7/416
D. 390,749	2/1998	Ferrar, Jr.	D7/416

D. 390,750	2/1998	Sung	D7/416
D. 406,010	2/1999	Tubby et al.	D7/416
D. 407,945	4/1999	Moran, IV	D7/416
5,738,507	4/1998	Mifune et al.	431/344
5,934,895	8/1999	McDonough et al.	431/255

Primary Examiner—M. N. Pandozzi
Attorney, Agent, or Firm—Trojan Law Offices

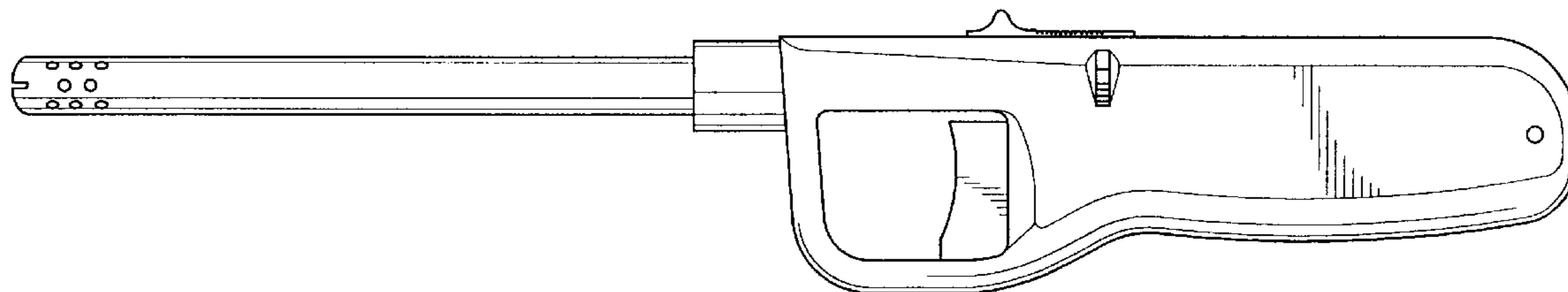
[57] **CLAIM**

The ornamental design for a utility lighter, as shown and described.

DESCRIPTION

FIG. 1 is a perspective view of the utility lighter; FIG. 2 is a left side view thereof; FIG. 3 is a right side view thereof; FIG. 4 is a top view thereof; FIG. 5 is a bottom view thereof; FIG. 6 is a front view thereof; and, FIG. 7 is a back view thereof.

1 Claim, 2 Drawing Sheets



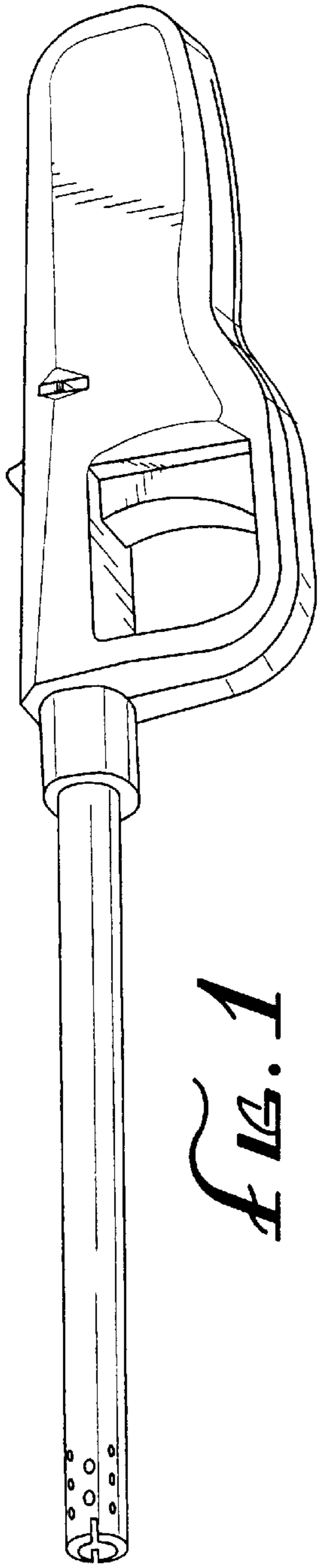


FIG. 1

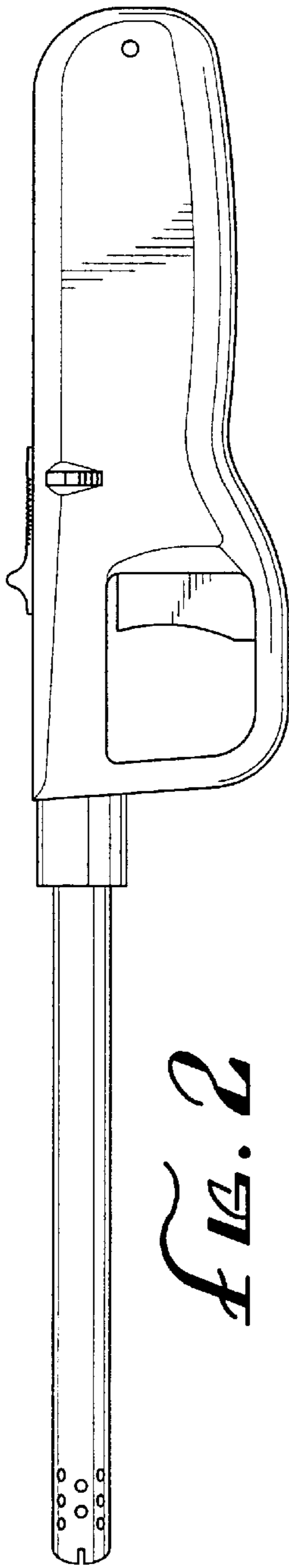


FIG. 2

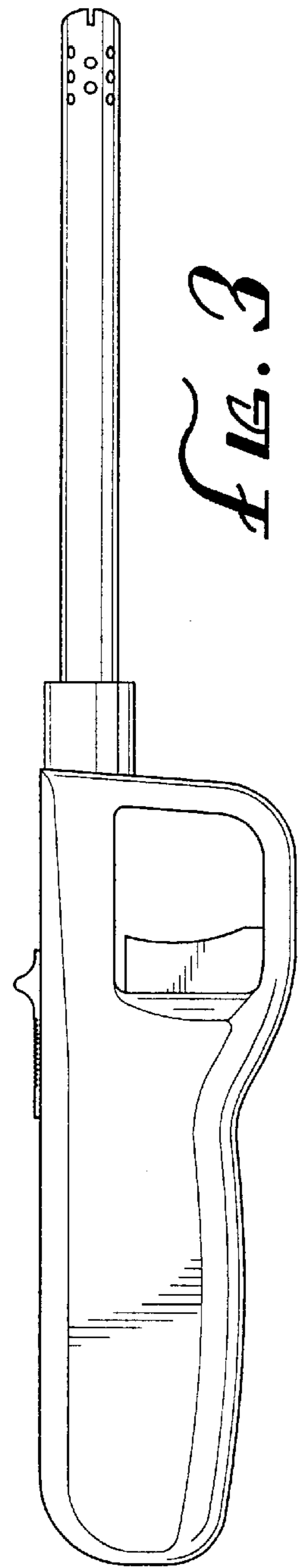


FIG. 3

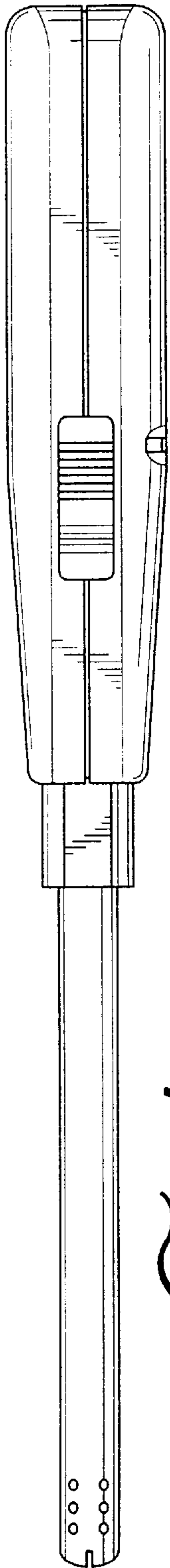


FIG. 4

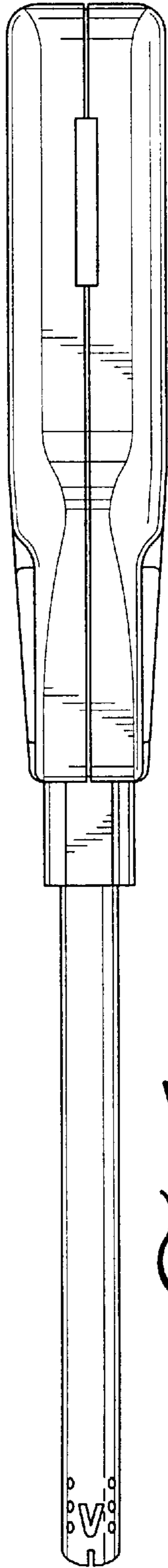


FIG. 5

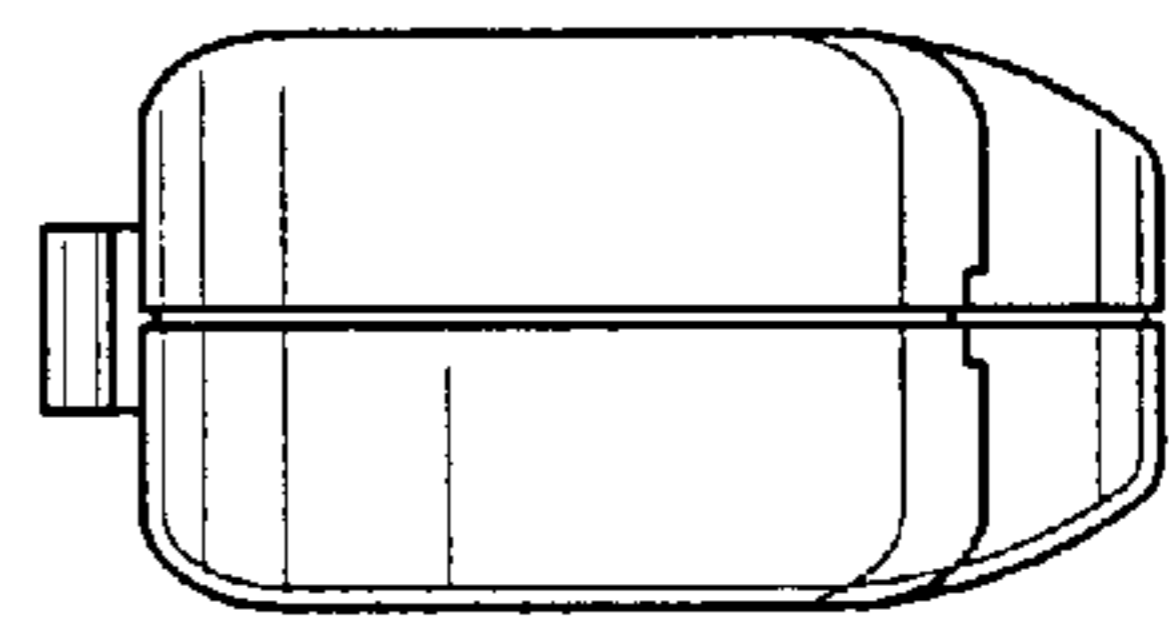


FIG. 6

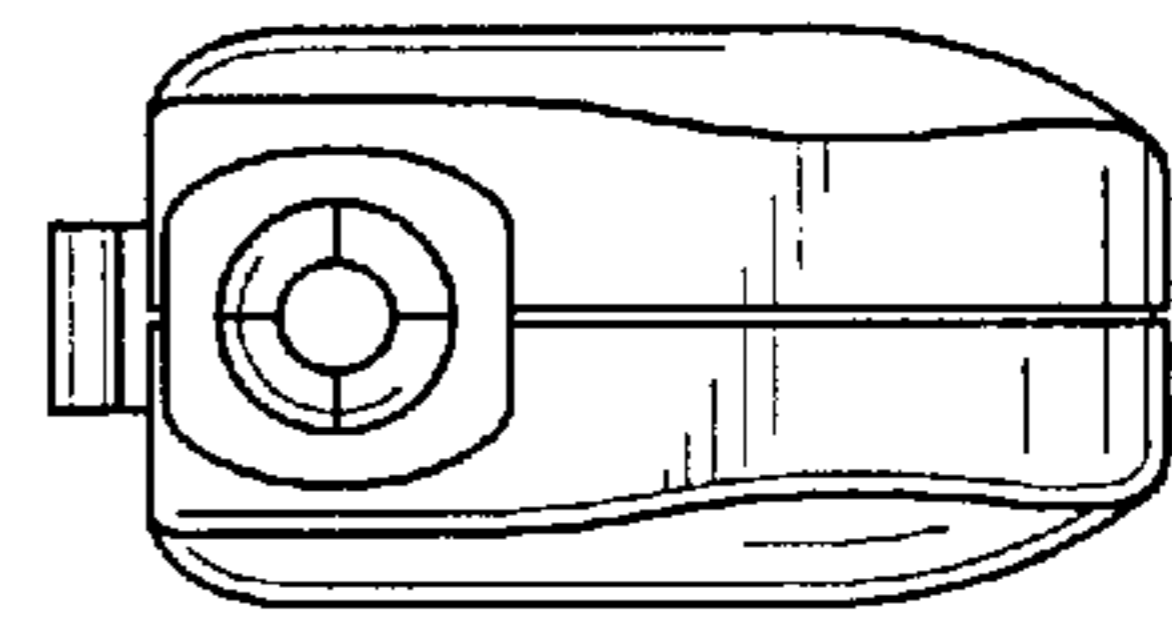


FIG. 7