



US00D429443S

United States Patent [19]
D'Alessio

[11] **Patent Number: Des. 429,443**

[45] **Date of Patent: ** Aug. 15, 2000**

[54] **NO-SPILL SIPPER CUP LID**

[75] Inventor: **Brent E. D'Alessio**, Palm Bay, Fla.

[73] Assignee: **Dart Industries Inc.**, Orlando, Fla.

[**] Term: **14 Years**

[21] Appl. No.: **29/113,203**

[22] Filed: **Nov. 1, 1999**

[51] **LOC (7) Cl.** **07-01**

[52] **U.S. Cl.** **D7/392.1**

[58] **Field of Search** D7/392.1, 425-441,
D7/510, 511, 316, 317, 321, 322, 703,
629, 396-398; D9/523-525, 529, 434-454;
D24/197; 220/714, 603, 717, 713, 719

4,836,404 6/1989 Coy 220/90.4
 4,946,062 8/1990 Coy 220/90.4
 4,953,737 9/1990 Meyers .
 5,035,340 7/1991 Timmons 215/11.4
 5,072,842 12/1991 White 215/11.4
 5,101,991 4/1992 Morifuji 215/11.1
 5,143,236 9/1992 Gueret 215/311
 5,147,066 9/1992 Snider .
 5,169,026 12/1992 Patterson .
 5,213,236 5/1993 Brown 222/185
 5,244,105 9/1993 Serre 215/11.5
 5,294,018 3/1994 Boucher .
 5,542,670 8/1996 Morano 220/714
 5,553,726 9/1996 Park 215/11.4
 5,598,809 2/1997 McInnes 119/71
 5,601,207 2/1997 Paczonay 220/703
 5,607,073 3/1997 Forrer 215/11.4
 5,890,621 4/1999 Bachman 220/717

[56] **References Cited**

U.S. PATENT DOCUMENTS

D. 179,333 11/1956 Tupper D58/26
 D. 322,222 12/1991 Coy D9/434
 D. 346,932 5/1994 Cautereels D7/507
 D. 354,416 1/1995 Cautereels D7/507
 D. 364,314 11/1995 Humphrey .
 D. 369,943 5/1996 Dark D7/392.1
 D. 407,269 3/1999 Fletcher D7/510
 1,360,893 11/1920 Cowie .
 2,661,001 12/1953 Alstadt 128/252
 2,816,548 12/1957 Tupper 128/252
 4,303,170 12/1981 Panicci .
 4,314,658 2/1982 Laauwe 222/213
 4,646,945 3/1987 Steiner 222/207
 4,660,747 4/1987 Borg 222/213
 4,728,006 3/1988 Drobish 222/181

Primary Examiner—Antoine Duval Davis
Attorney, Agent, or Firm—Taylor J. Ross

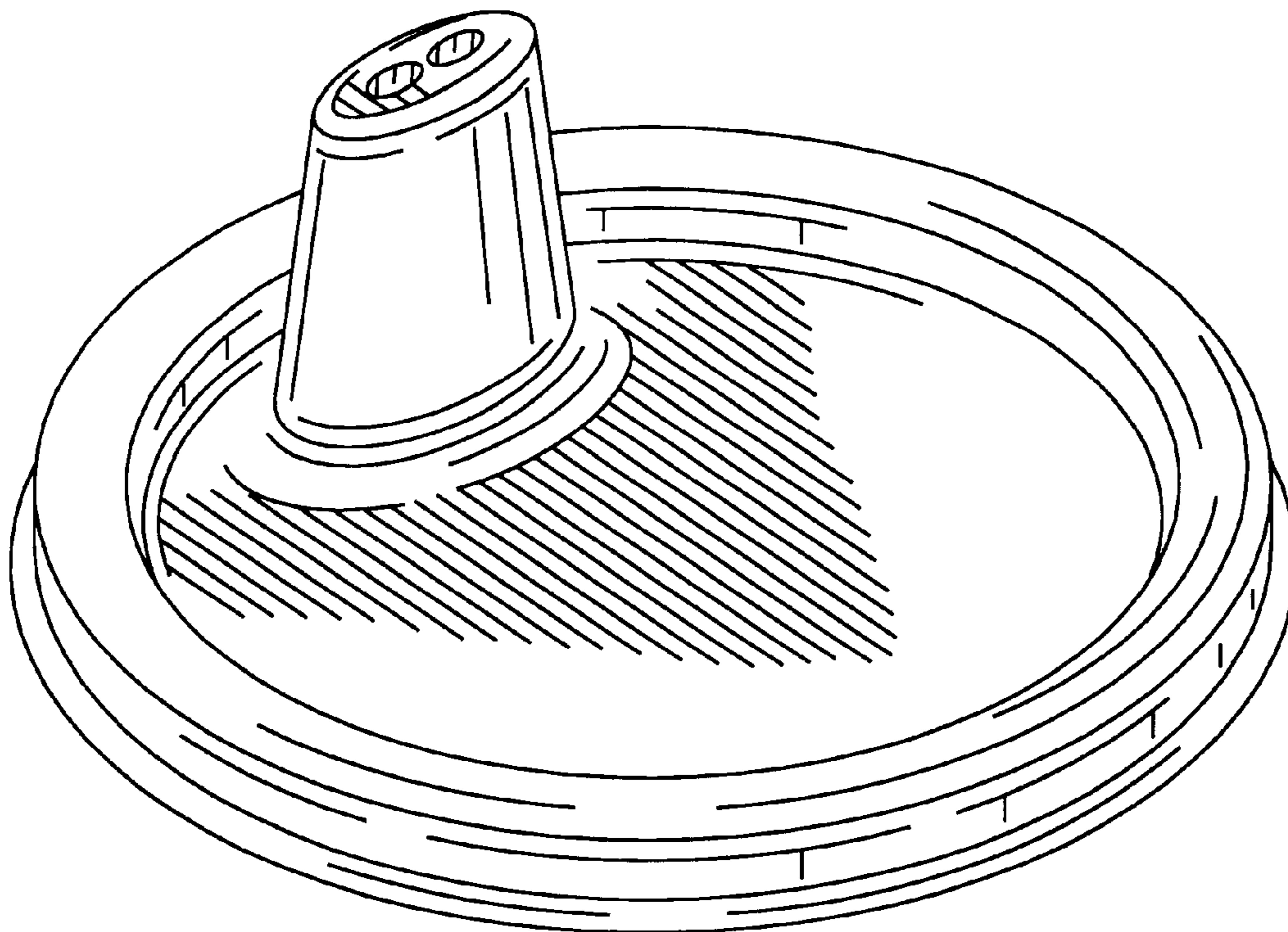
[57] **CLAIM**

The ornamental design for a no-spill sipper cup lid, as shown and described.

DESCRIPTION

FIG. 1 is a top, side and front perspective view of a no-spill sipper cup lid showing the new design;
 FIG. 2 is a left side elevation view thereof;
 FIG. 3 is a right side elevation view thereof;
 FIG. 4 is a front elevation view thereof;
 FIG. 5 is a rear elevation view thereof;
 FIG. 6 is a top plan view thereof; and,
 FIG. 7 is a bottom plan view thereof.

1 Claim, 3 Drawing Sheets



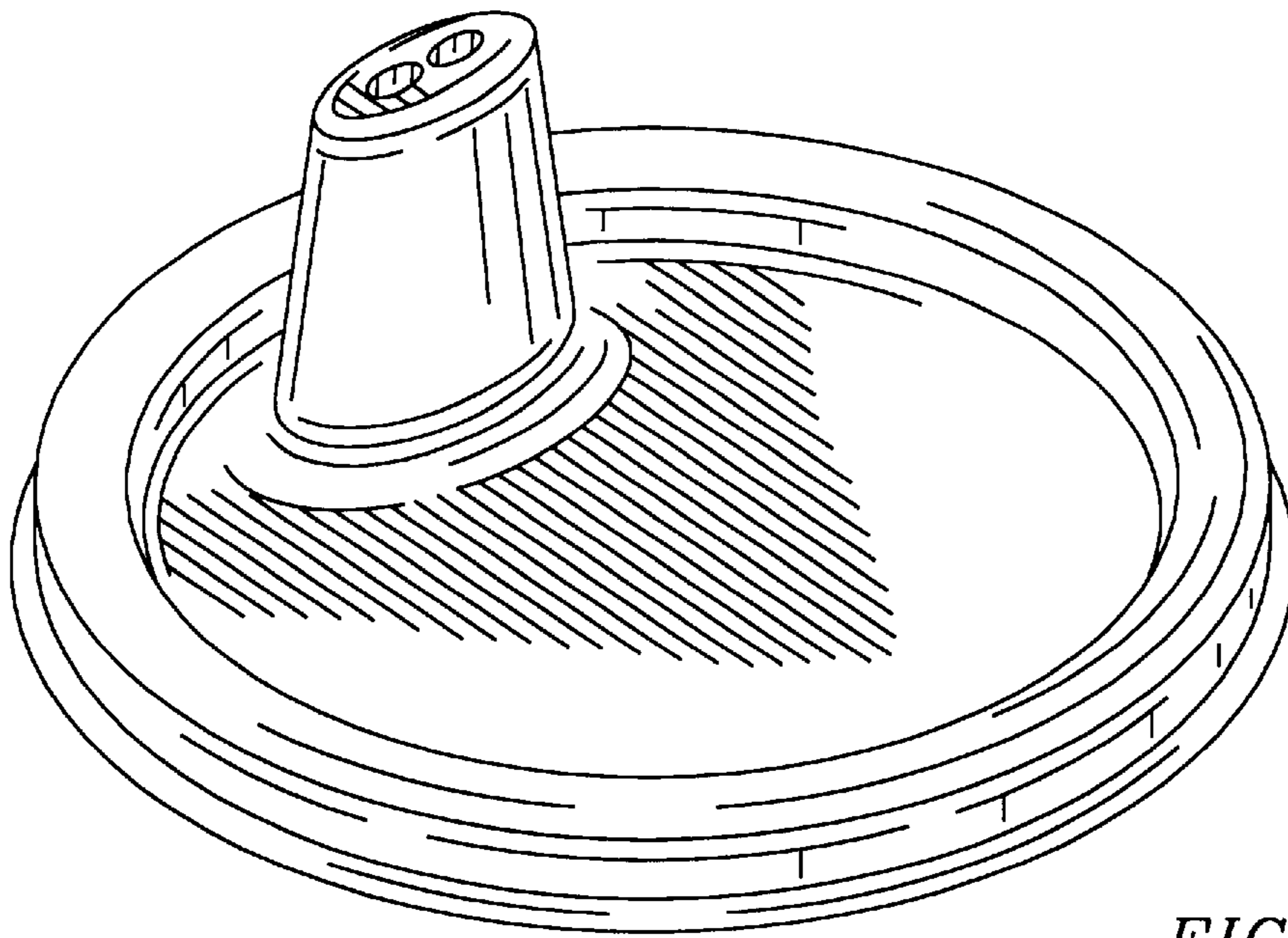


FIG. 1

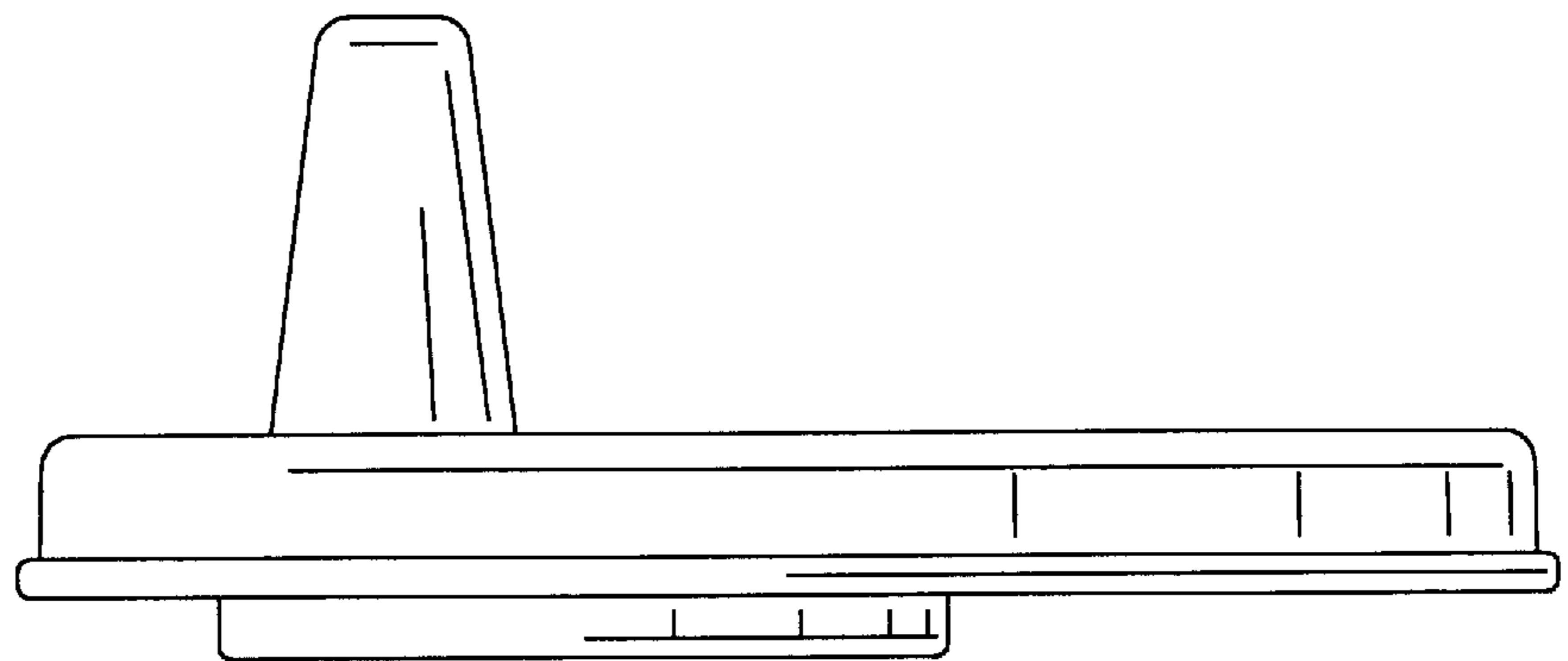


FIG. 2

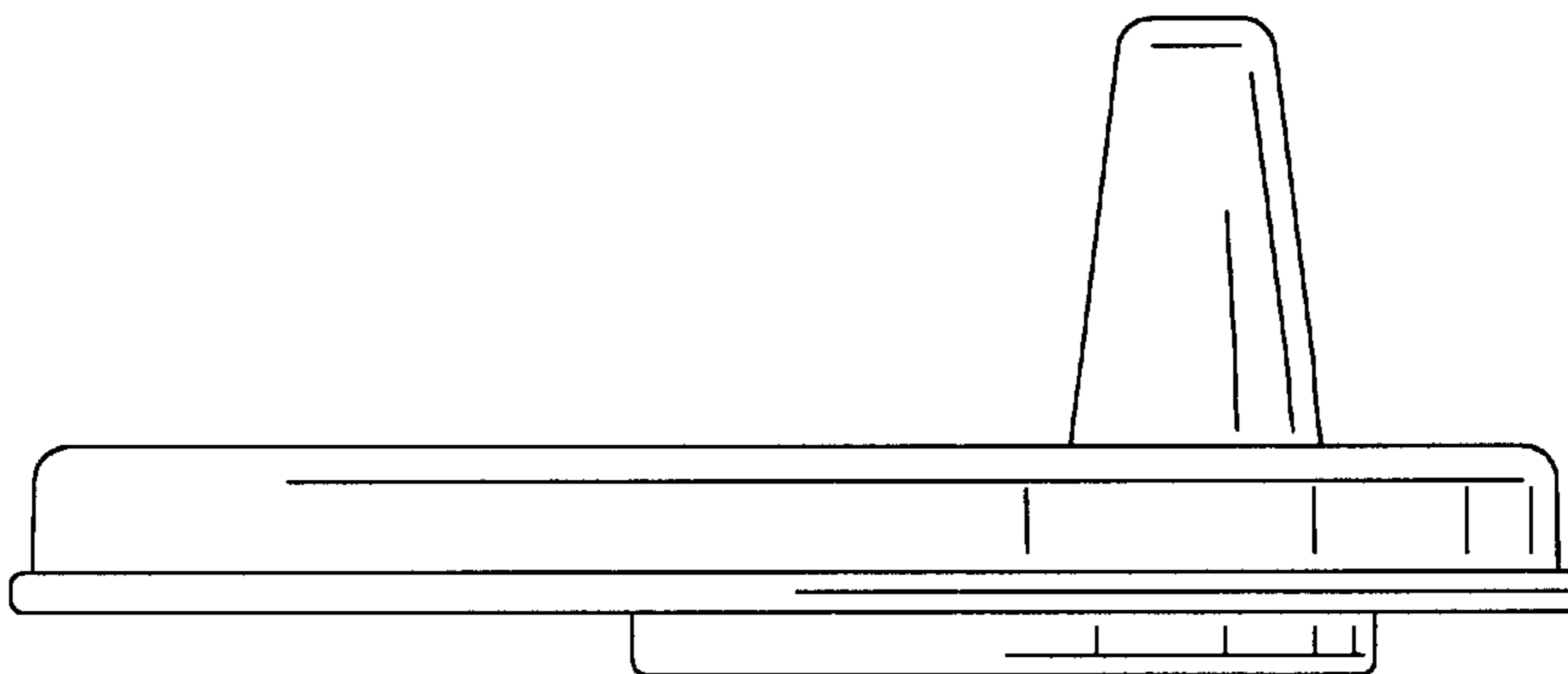


FIG. 3

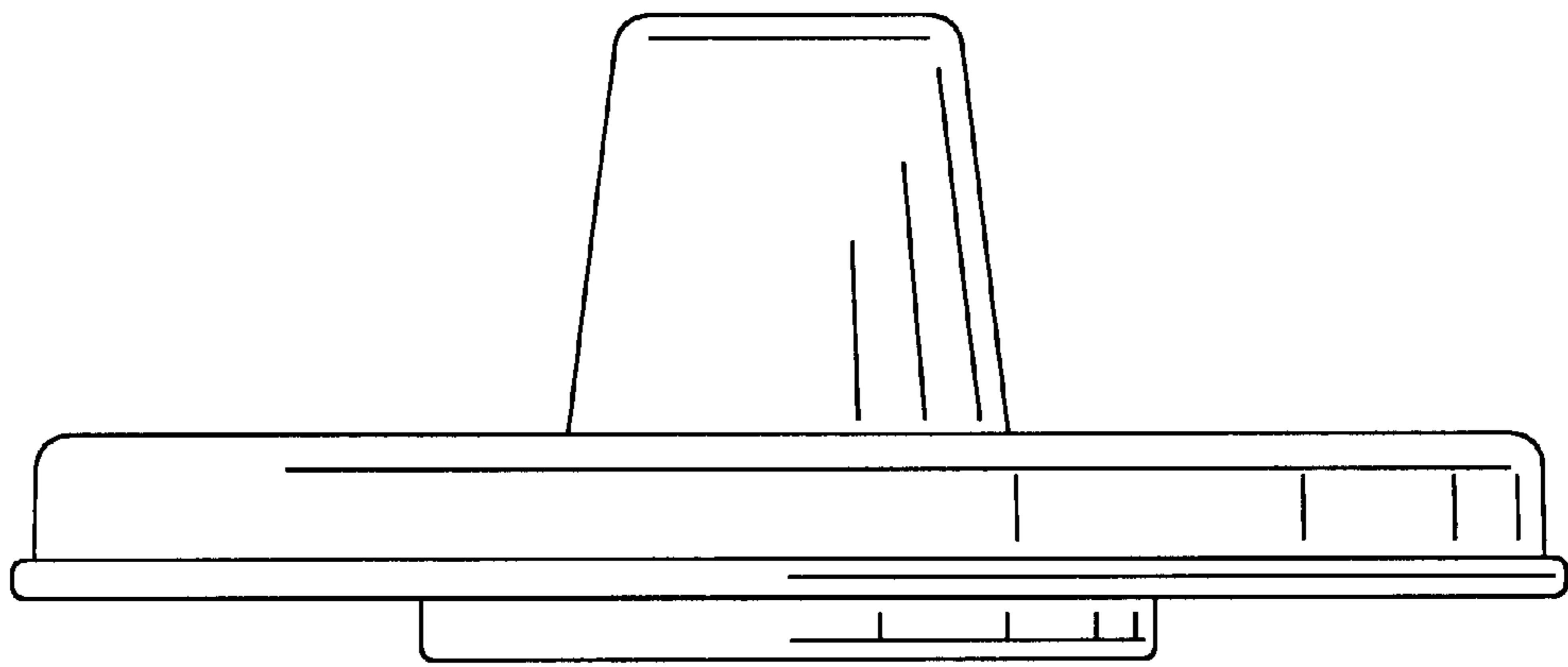


FIG. 4

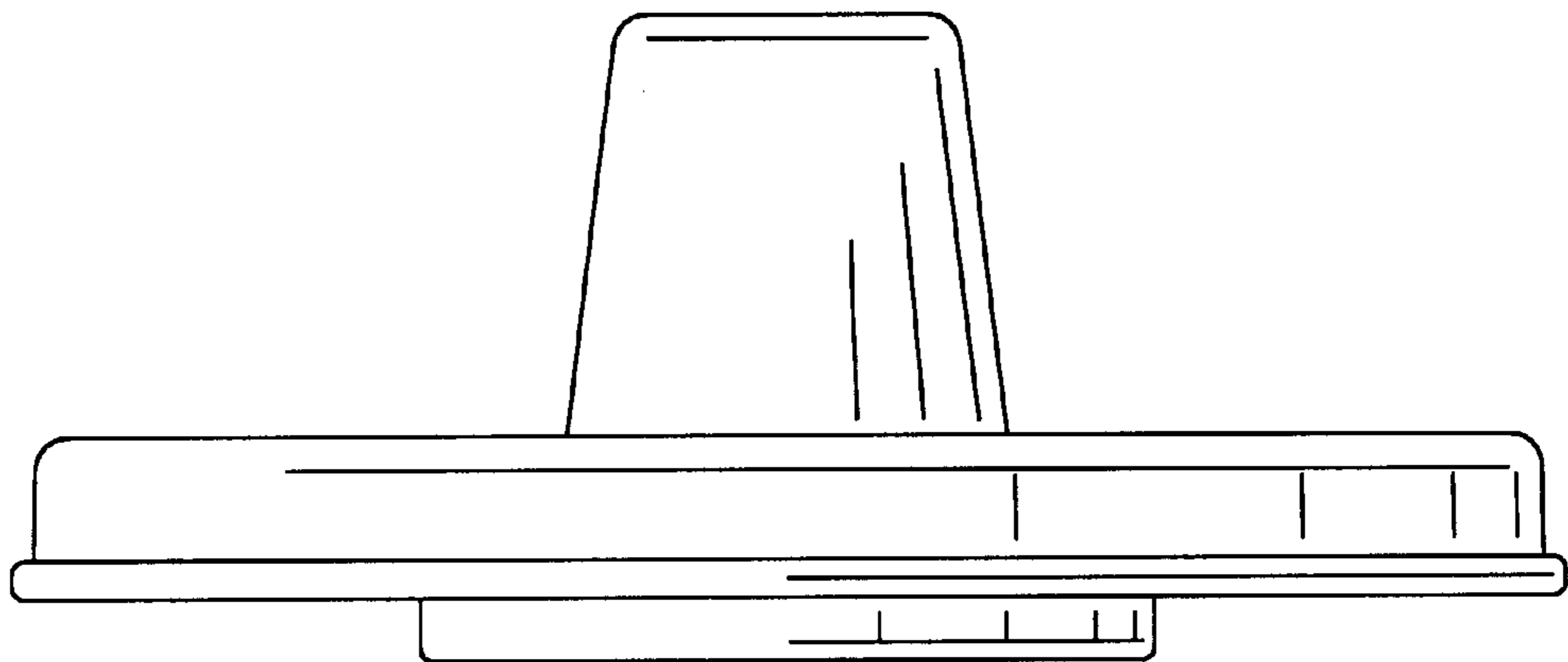


FIG. 5

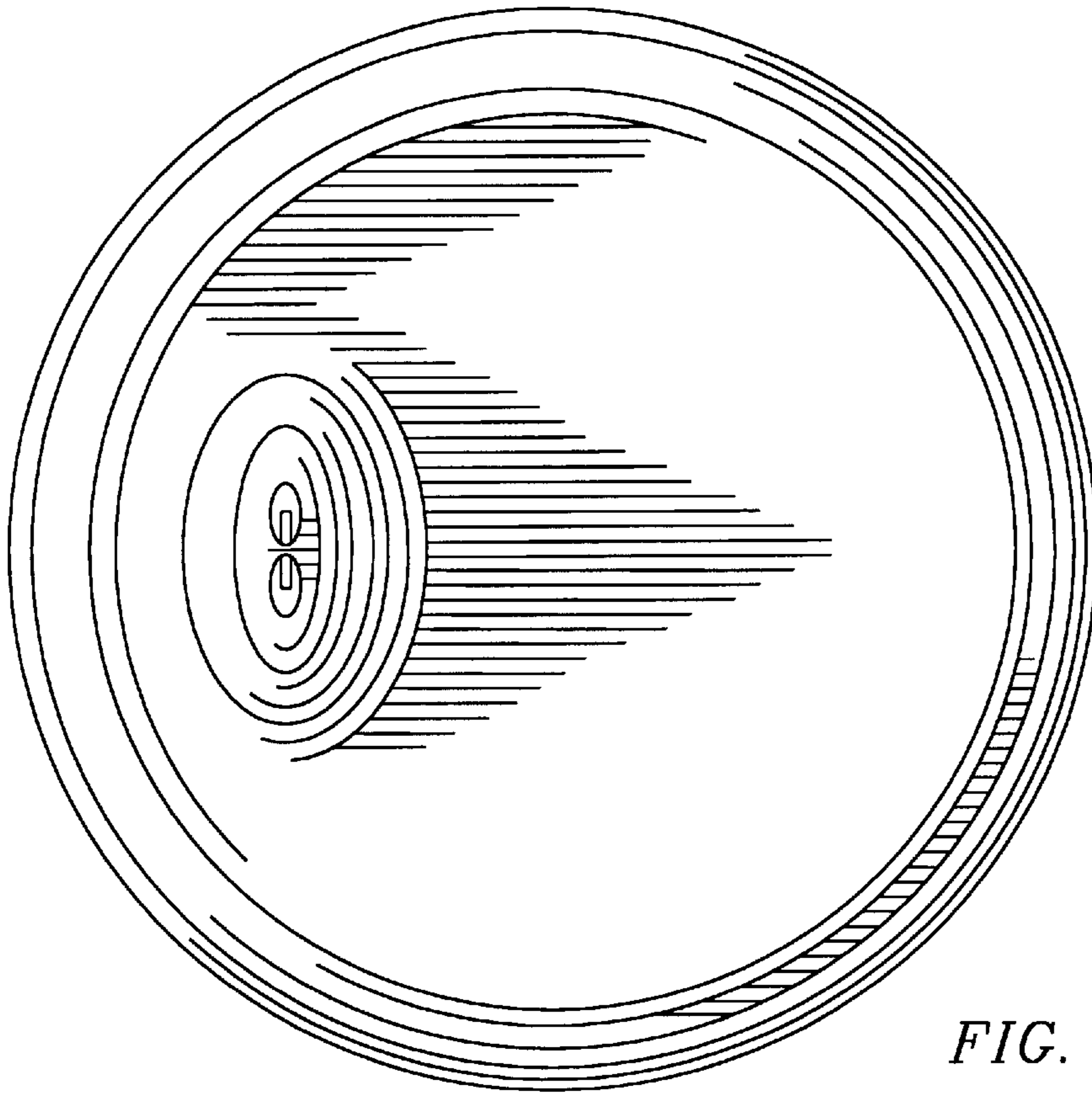


FIG. 6

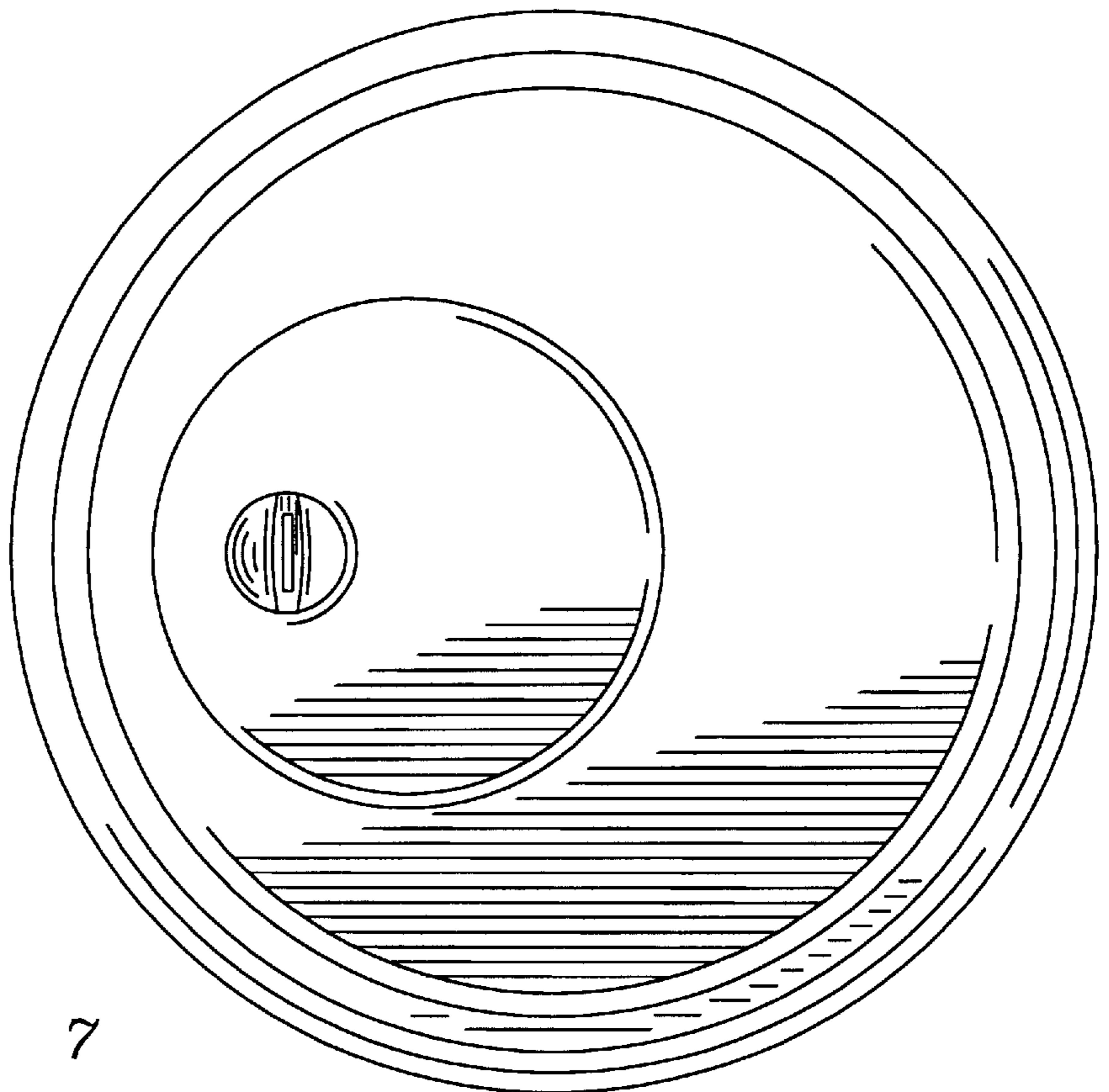


FIG. 7