



US00D429441S

# United States Patent [19]

[11] Patent Number: Des. 429,441

Garber et al.

[45] Date of Patent: \*\* Aug. 15, 2000

[54] FLAT BREAD MAKER AND SPATULA

5,417,149 5/1995 Raio et al. .... 99/349

[75] Inventors: Alan M. Garber; Timothy E. Covington; Terry L. Myers, all of Richmond, Va.; Phillip L. Brookshire; David L. Slayton, both of Cincinnati, Ohio

Primary Examiner—Caron D. Veynar  
Attorney, Agent, or Firm—Roger S. Dybvig

[73] Assignee: Hamilton Beach/Proctor-Silex, Inc., Glen Allen, Va.

### [57] CLAIM

The ornamental design for a flat bread maker and spatula, as shown and described.

[\*\*] Term: 14 Years

### DESCRIPTION

[21] Appl. No.: 29/100,917

FIG. 1 is a perspective view as seen from the top, front, and left side of a flat bread maker and spatula showing our new design;

[22] Filed: Feb. 22, 1999

FIG. 2 is a left side elevational view thereof;

[51] LOC (7) Cl. .... 07-02

FIG. 3 is a right side elevational view thereof;

[52] U.S. Cl. .... D7/352

FIG. 4 is a front elevational view thereof;

[58] Field of Search ..... D7/352, 354, 365; 99/331, 339, 349, 372, 376, 448; 219/385, 438, 447.1, 448.13, 451.1, 475, 524, 620, 621

FIG. 5 is a rear elevational view thereof;

FIG. 6 is a top plan view thereof;

FIG. 7 is a bottom plan view thereof;

FIG. 8 is a perspective view similar to FIG. 1 but with the upper platen handle in its downward, engagement position;

FIG. 9 is a perspective view as seen from the top, front, and left side of the spatula of the flat bread maker, shown separately for ease of illustration;

FIG. 10 is a left side elevational view thereof, the right side being a mirror image of the left side;

FIG. 11 is a front elevational view thereof;

FIG. 12 is a rear elevational view thereof;

FIG. 13 is a top plan view thereof; and,

FIG. 14 is a bottom plan view thereof.

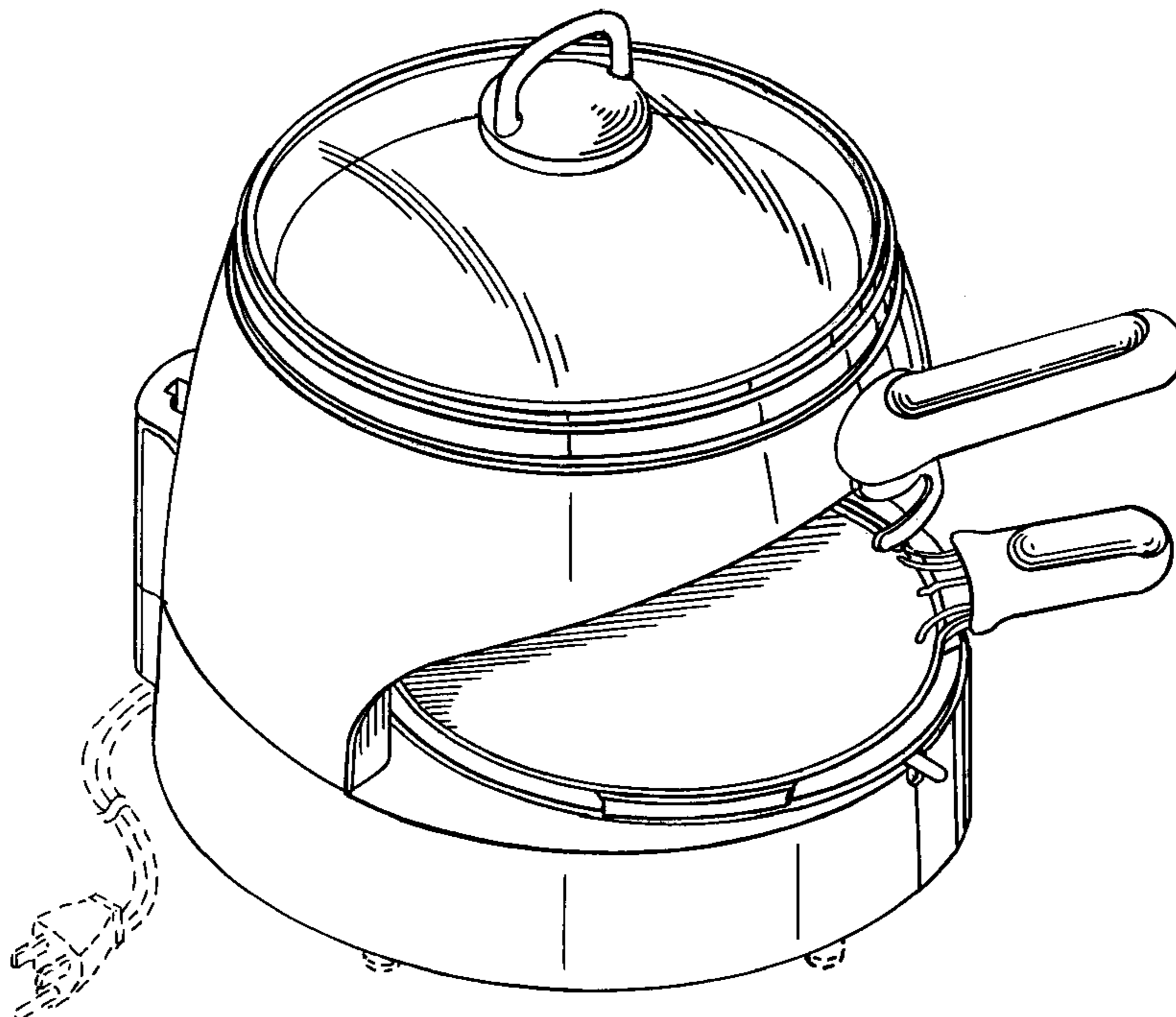
The broken lines in FIGS. 1 through 5, 7, and 8 showing the power cord, the feet, and the underside plate and vents are used for illustrative purposes only and form no part of the claimed design.

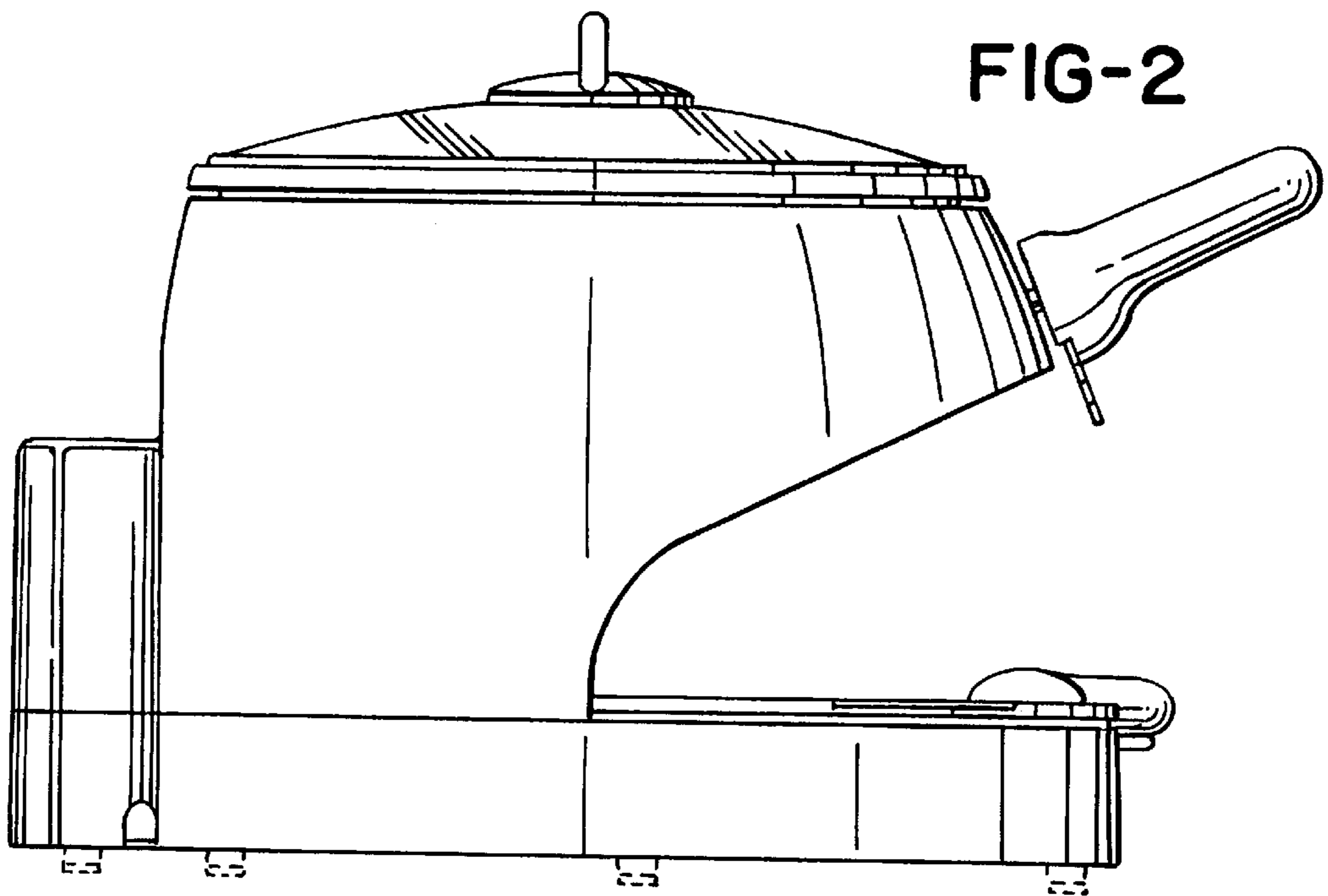
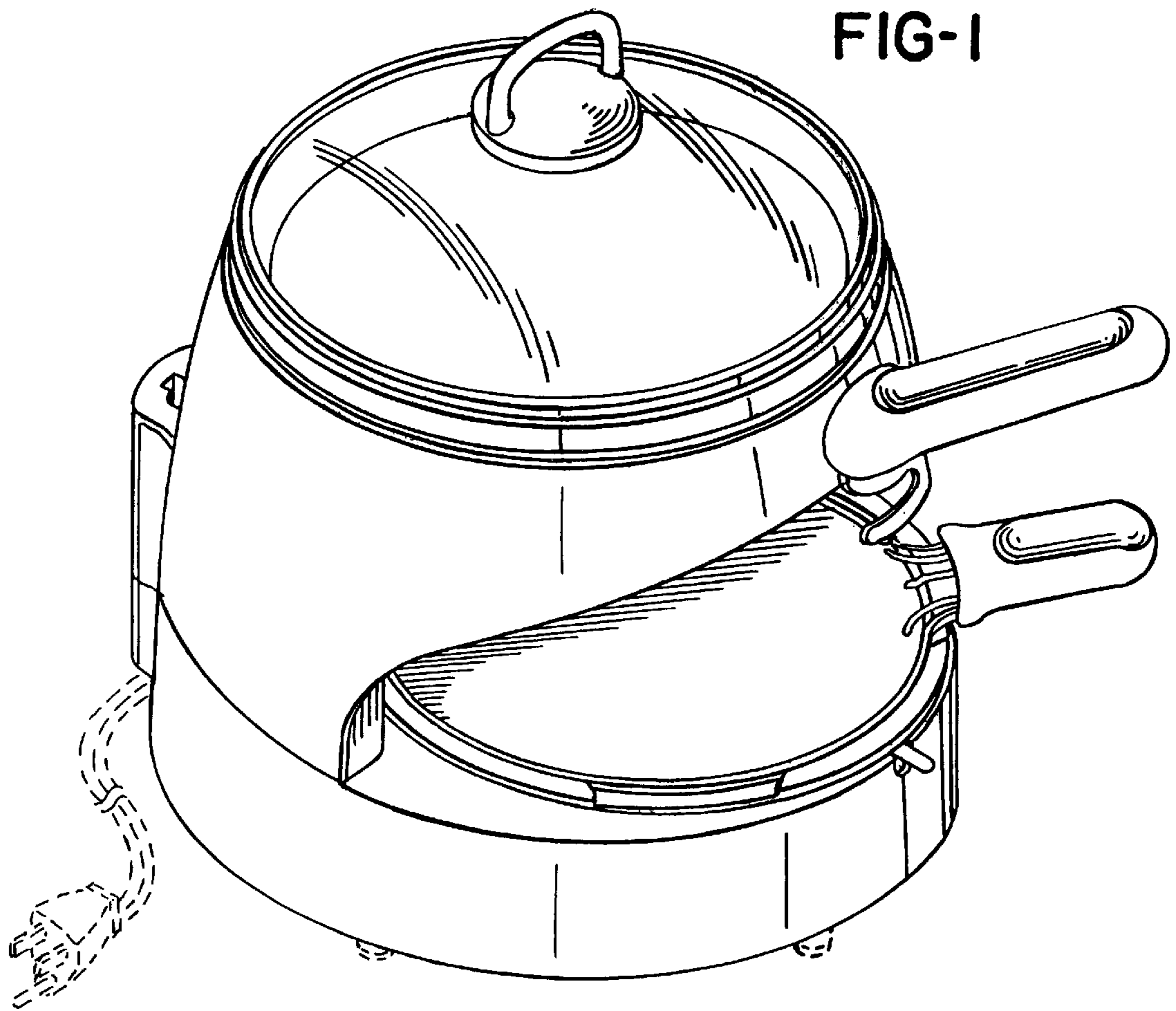
### [56] References Cited

#### U.S. PATENT DOCUMENTS

D. 353,970	1/1995	Bannigan	.....	D7/365
1,859,004	5/1932	Reich	.....	99/379
1,977,084	10/1934	Person	.....	99/383
2,317,225	4/1943	Schara	.....	99/332
2,602,131	7/1952	Reich	.....	219/452.13
3,610,885	10/1971	Zingg	.....	219/451.1
3,880,064	4/1975	Martinez	.....	99/349
4,487,116	12/1984	Routhier	.....	99/339
4,559,002	12/1985	Atwood	.....	425/152
4,664,025	5/1987	Martinez	.....	99/331
4,987,827	1/1991	Marquez	.....	99/331

1 Claim, 6 Drawing Sheets





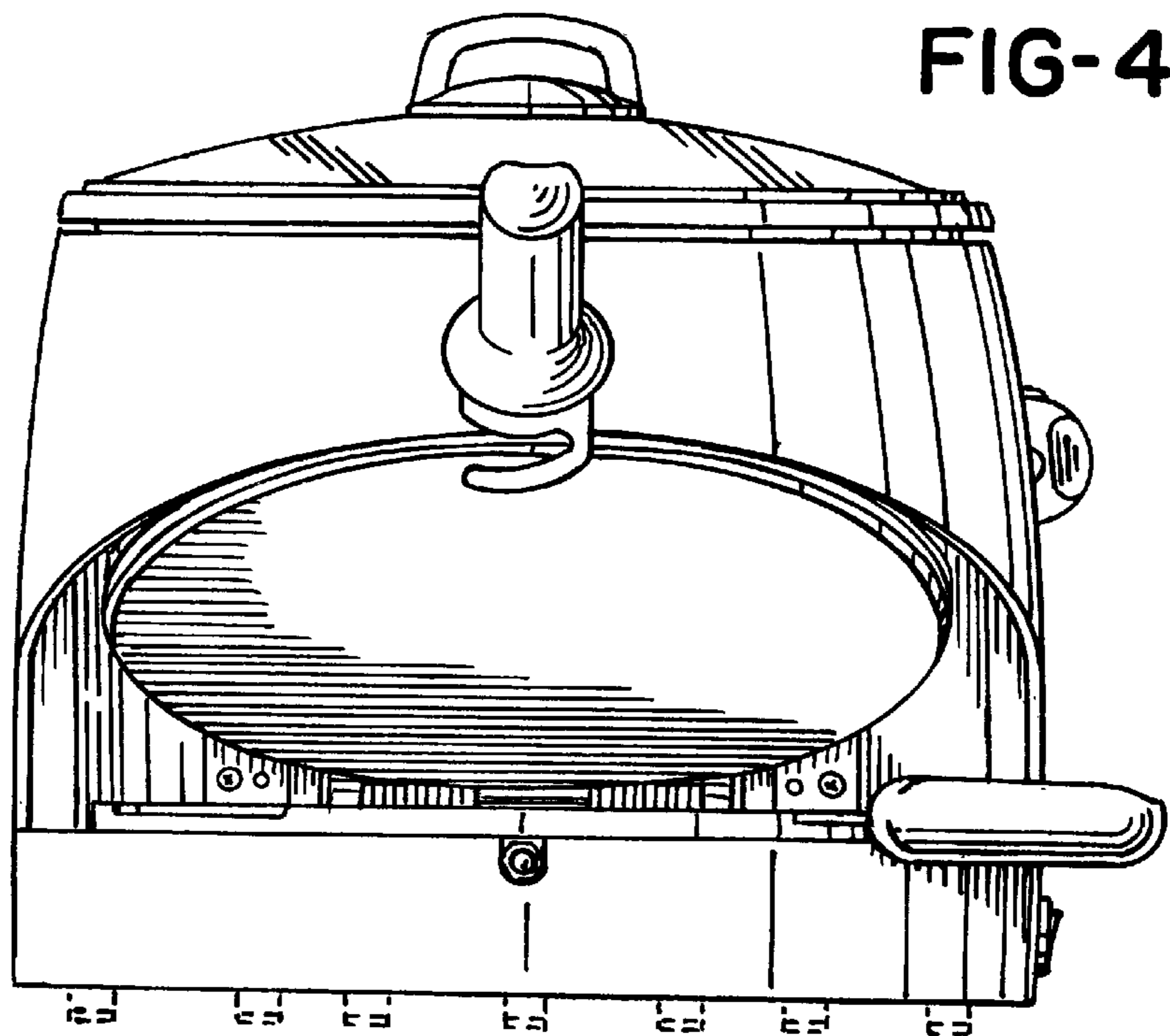
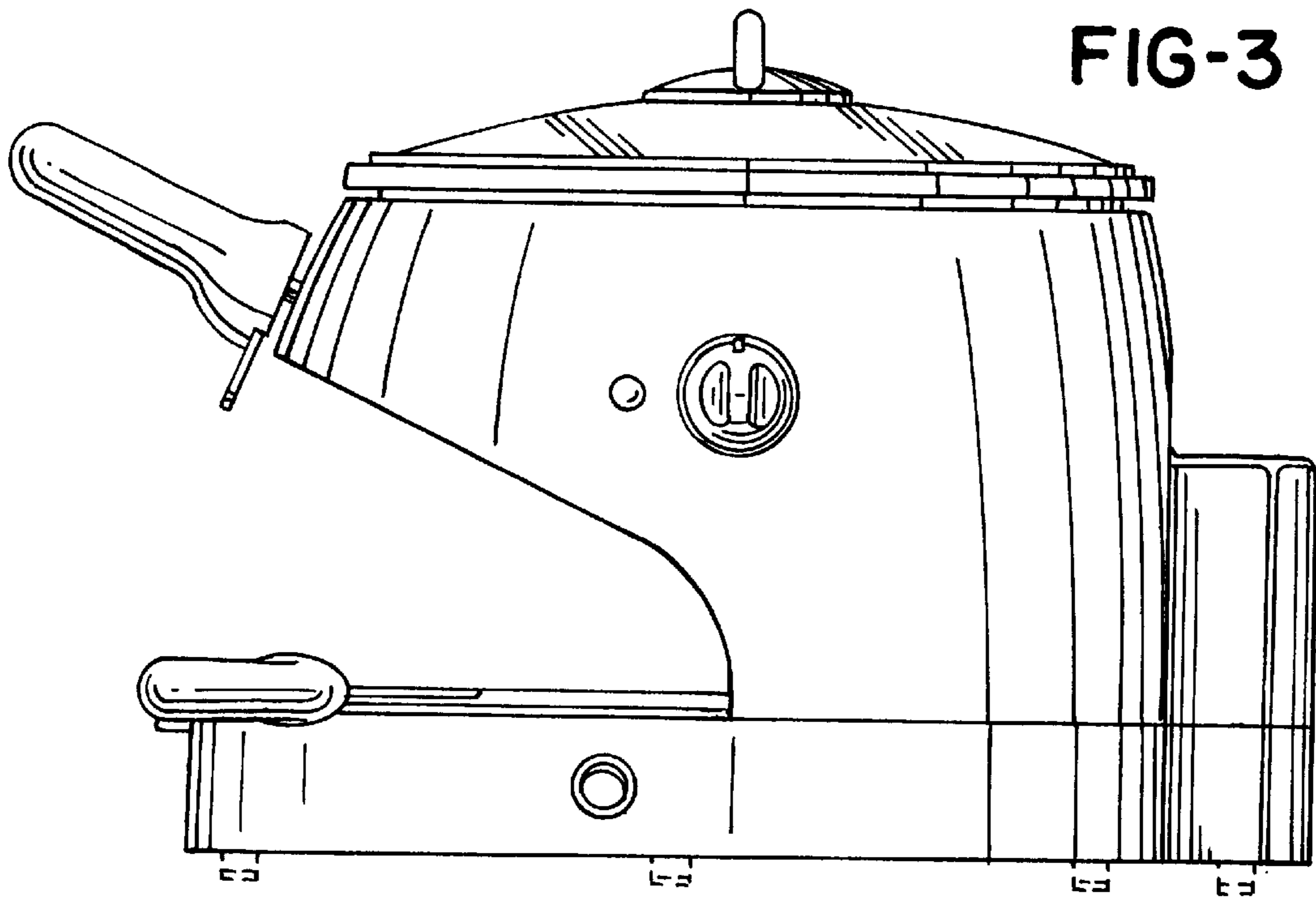


FIG-5

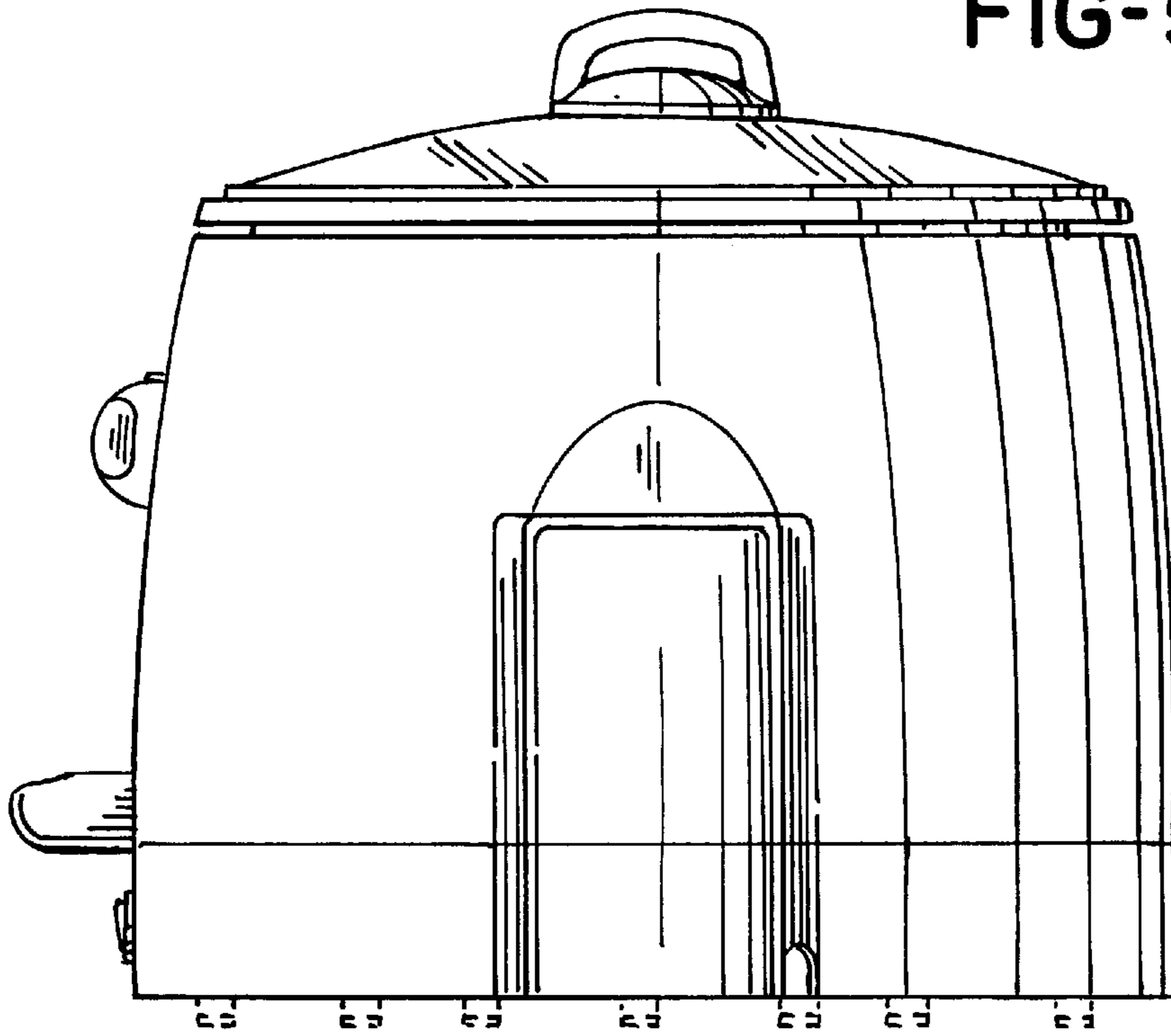
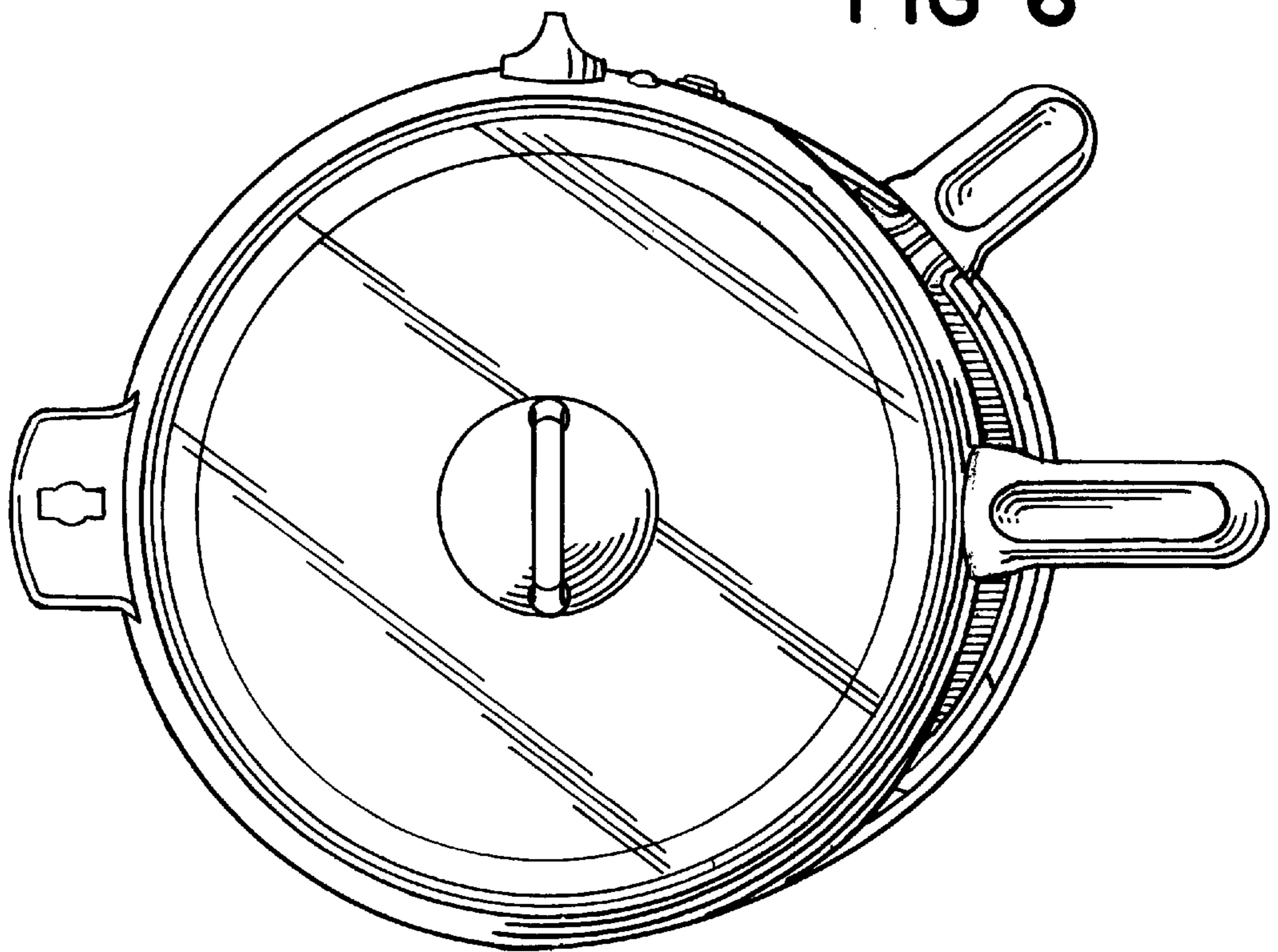


FIG-6



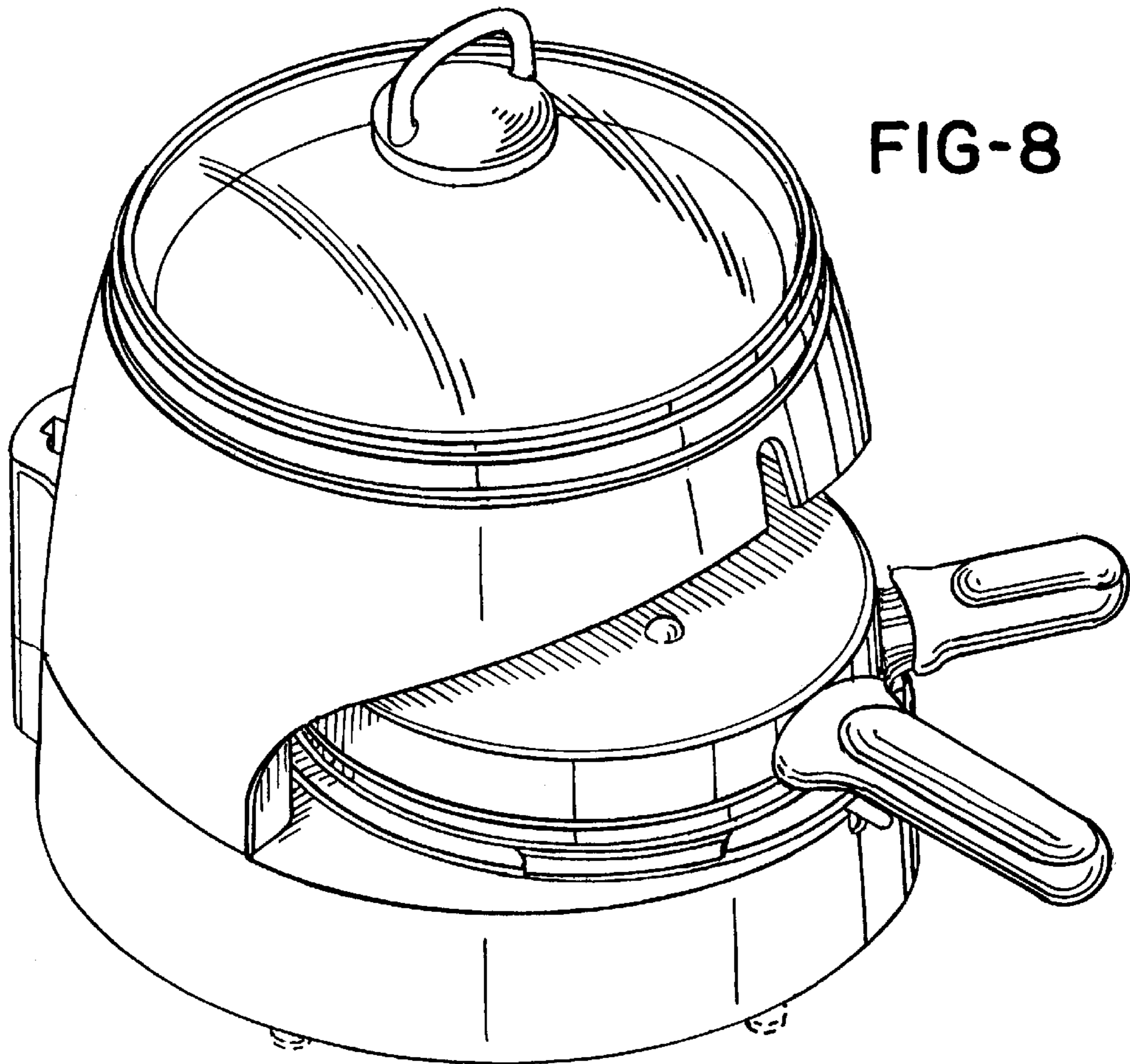
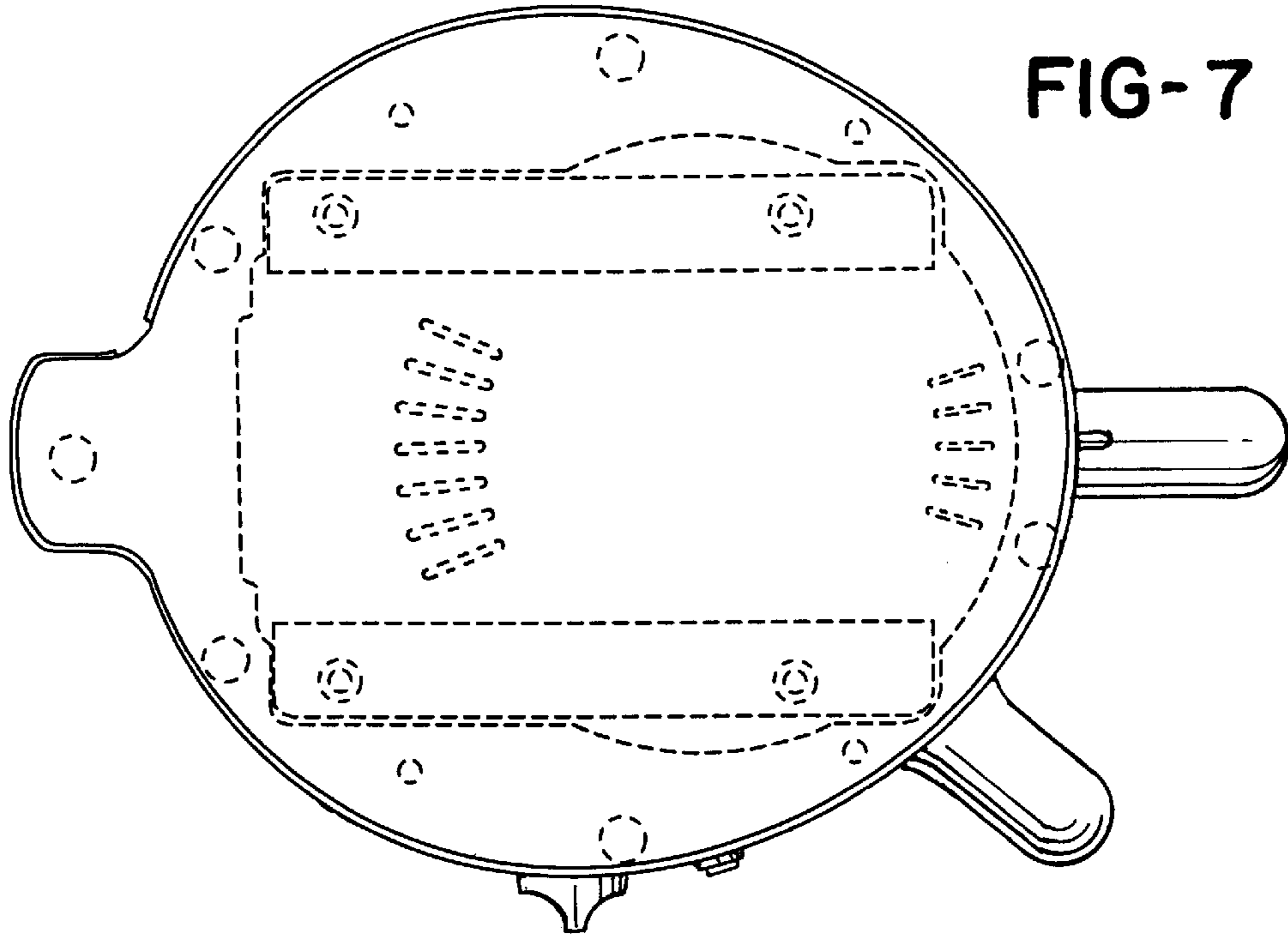


FIG-9

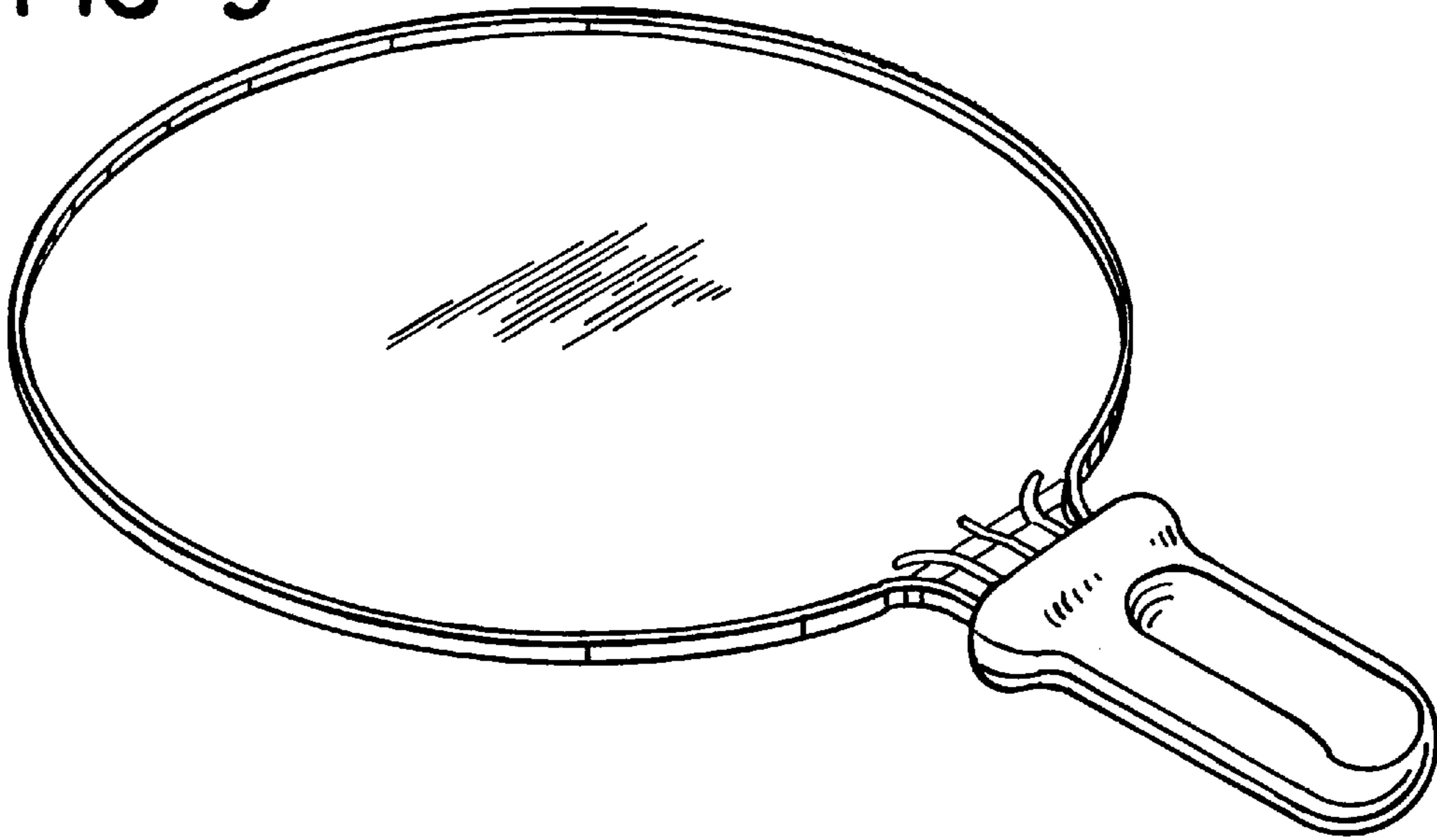


FIG-10

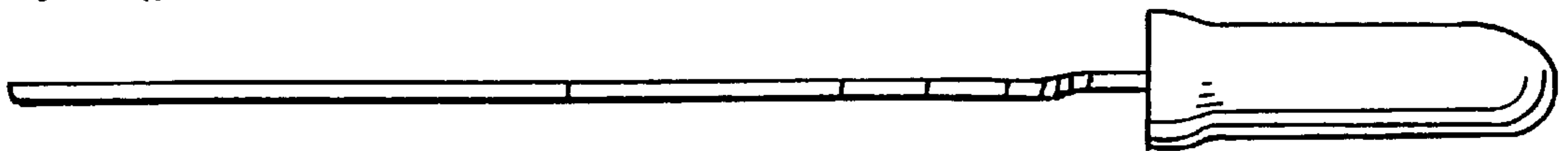


FIG-11



FIG-12



FIG-13

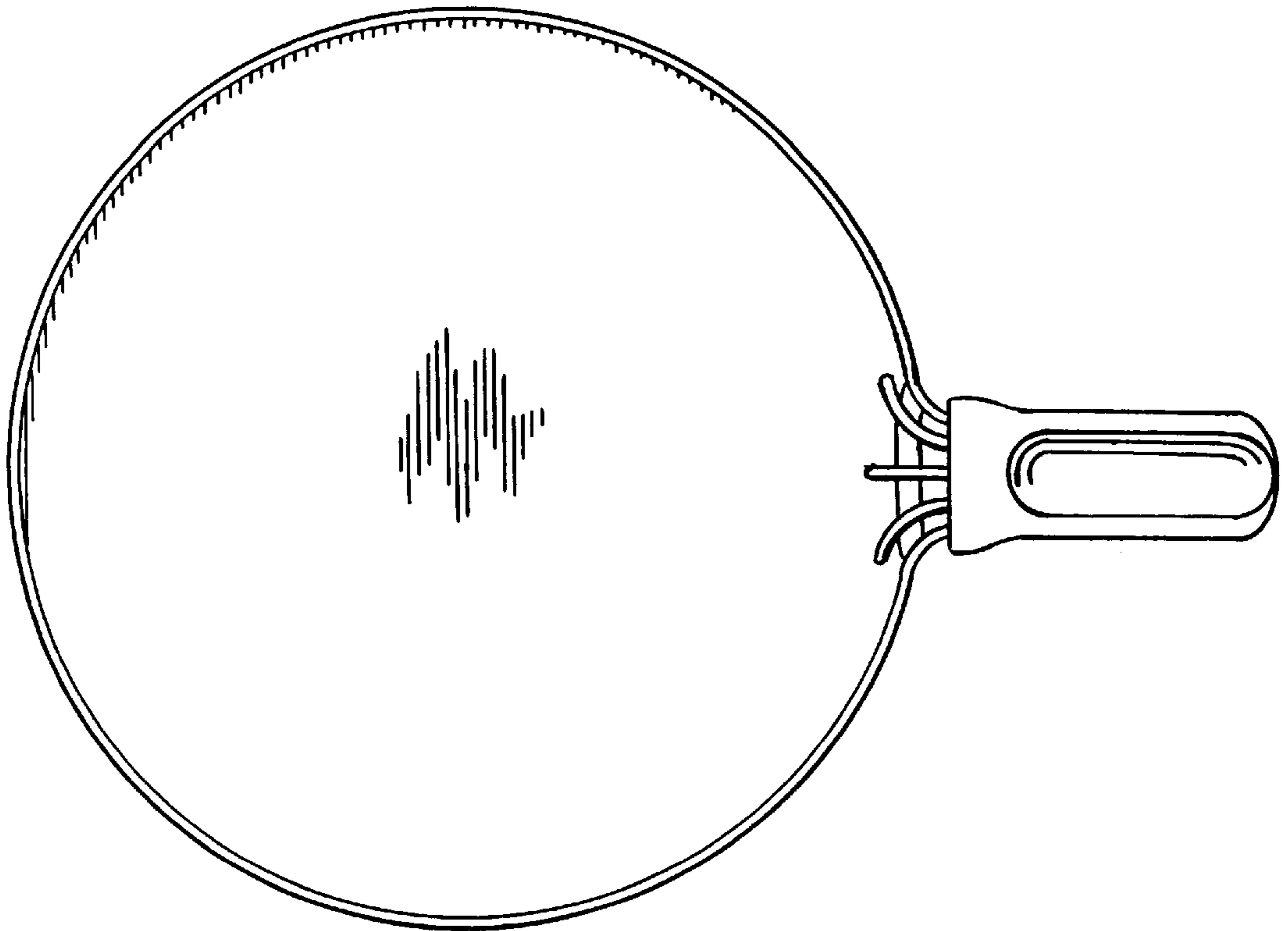


FIG-14

